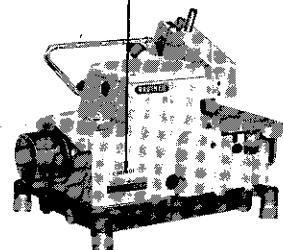
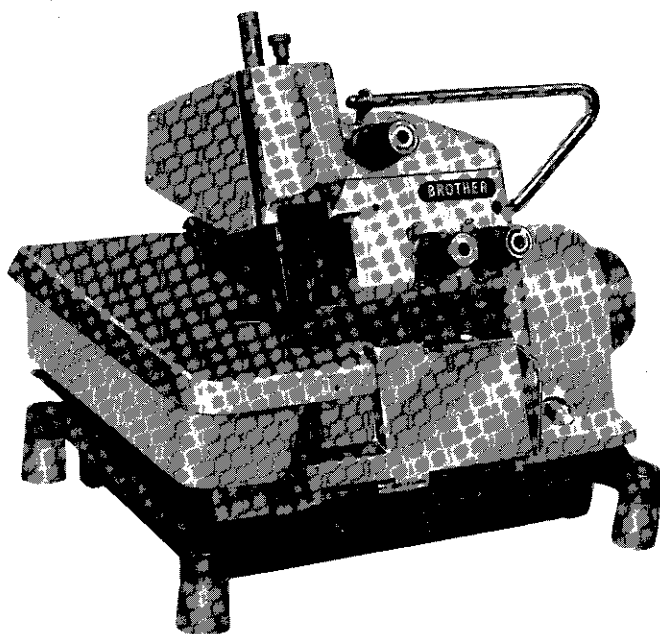


PARTS BOOK
FOR
BROTHER EF4-B561

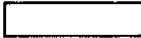
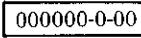
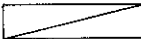
P561202




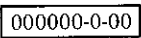
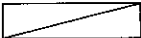
Single Needle Overlock Sewing Machine

BROTHER INDUSTRIES, LTD.
NAGOYA, JAPAN


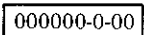
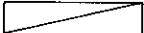
Notes for using this parts book

1. This book is applicable to sewing machines which have the same plate number as shown on the cover of this book (or correction sheet).
2. If the symbol  or  is in the "Parts No." column or the "Assembly No." column, please refer to the separate parts list (page 18).
3. The symbol  in the "Parts No." column indicates that the parts is not available for supply. If, however, there is a number in the "Assembly No." column, the parts can be ordered as an assembly. Please, therefore, order by using the Assembly No.
4. This book was prepared based on information available in May, 1979.
5. Parts are subject to changes in design without prior notice.

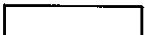
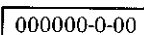
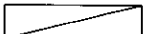
Anmerkungen zum Gebrauch dieses Stücklistebuches

1. Dieses Buch bezieht sich auf die Nähmaschinen mit derselben Kennungsnummer wie auf diesem Buchumschlag (oder auf dem Korrekturblatt).
2. Wenn in der stücknummer oder Gerätesatznummer Spalte das Zeichen  oder  steht, schlagen Sie bitte bei der gesonderte Stückliste (Seite 18) nach.
3. Dieses Zeichen  in der Spalte "Teilnummer" bedeutet, daß dieser Teil nicht lieferbar ist. Wenn Jedoch in der Spalte "Gerätesatznummer" eine Nummer steht, kann disser Teil als ein Geräteteilsatz bestellt werden. Bestellen Sie daher bitte mit dieser Gerätesatznummer.
4. Dieses Buch basiert auf den Informationen vom Mai 1979.
5. Modelländerungen sind vorbehalten.

Notes sur l'utilisation de ce manuel de pièces détachées

1. Ce manuel est destiné aux machines à coudre ayant le même numéro de plaque montré sur la couverture de ce manuel (ou sur la feuille de corrections).
2. Si le symbole  ou  est présent dans la colonne "No. de pièce" ou dans la colonne "No. de ensemble", se référer à la liste de pièces annexe (page 18).
3. Le symbole  dans la colonne "N° de pièce" signifie que la pièce ne peut être fournie. Si, dans la colonne "N° jeu de pces", il y a un numéro de nomenclature, la pièce peut être commandée comme faisant partie d'un jeu de pièces. Donc, pour toute commande, veuillez spécifier le n° du jeu de pièces.
4. Ce manuel a été fait d'après les renseignements valables au mois de Mai 1979.
5. Les pièces peuvent être sujettes à des modifications sans préavis.

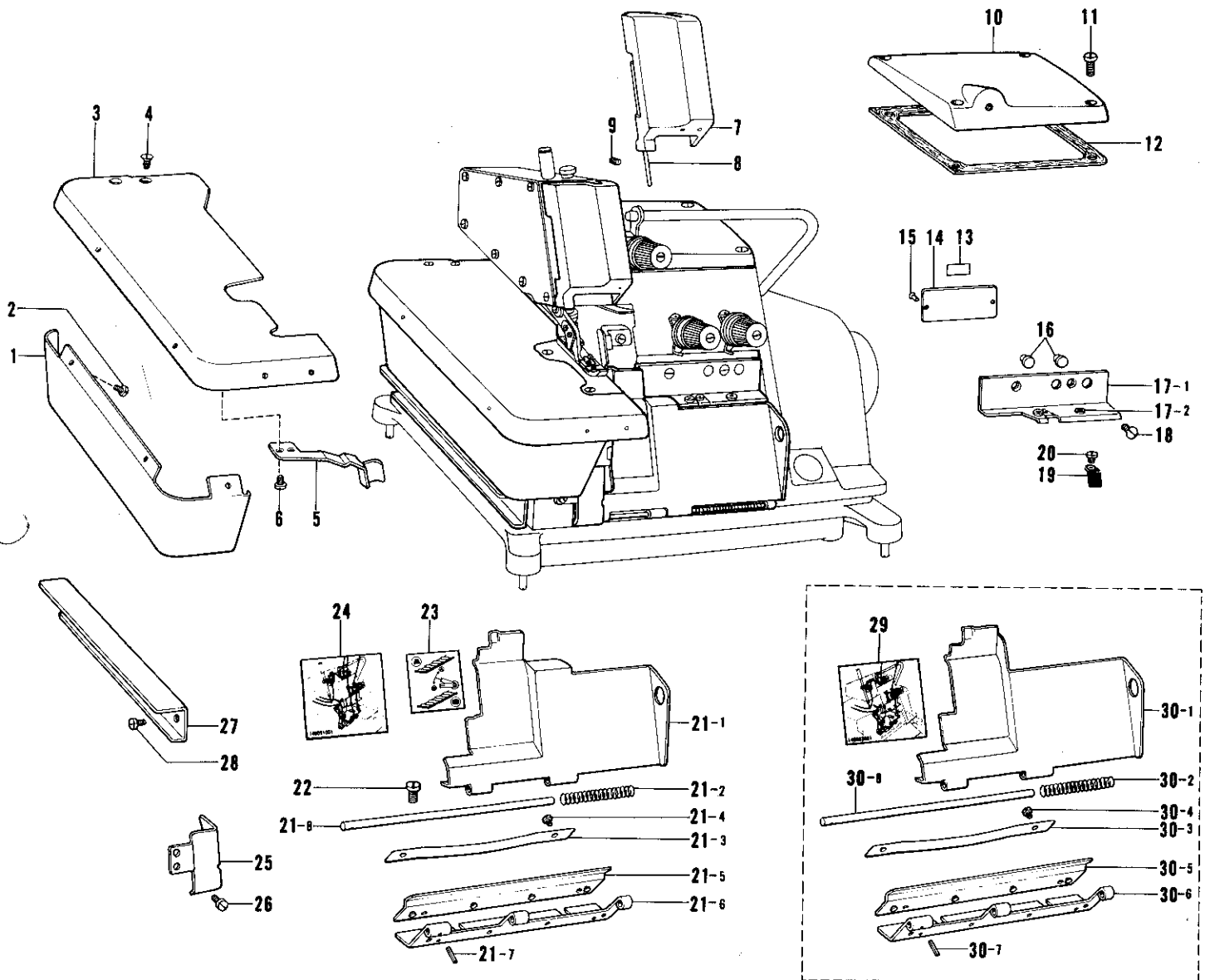
Notas para usar este Libro de Piezas

1. Este libro sirve para todas las máquinas de coser que llevan la misma placa de identificación que la que se puede ver en la tapa de este libro (o en la hoja de erratas).
2. De haber el símbolo  o el  en la columna del "Número de Pieza" o en la del "Número de Juego", habrá que ver la lista de piezas separada (página 18).
3. El símbolo , que se encuentra en la columna del "Número de Pieza", quiere decir que no se dispone de dicha pieza sola. Cuando, empero, hay un número en la columna del "Numero de Juego", se podrá ordenar la pieza con todo el juego. Por lo tanto, seña mejor hacer el pedido recurriendo al número del juego respectivo.
4. Este libro ha sido compilado basándose en los datos de que se disponía en Mayo de 1979.
5. Las piezas quedan sujetas a cambios de diseño sin aviso previo.

CONTENTS

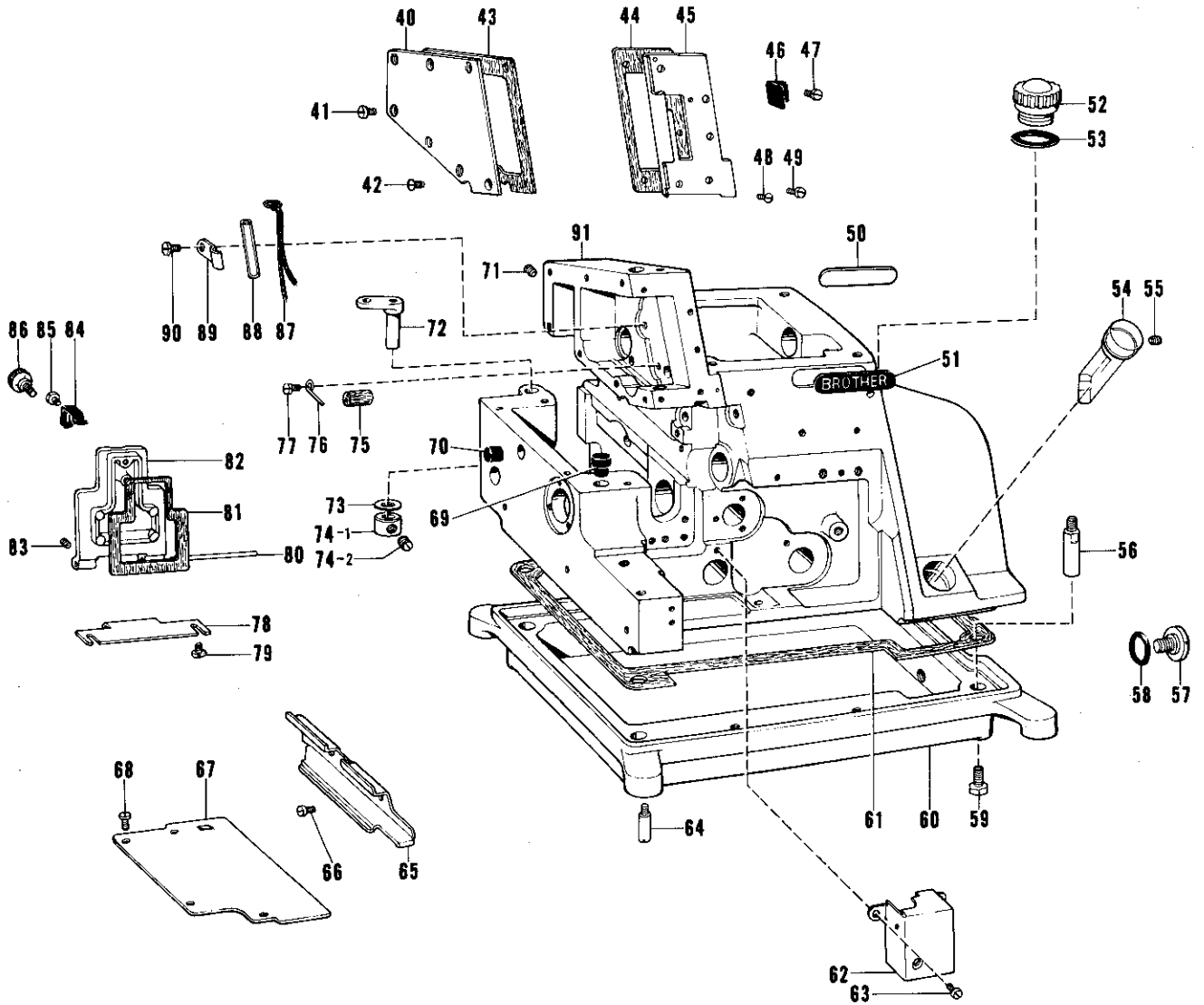
A.	Machine Body (1)	1
A.	Machine Body (2)	2
B.	Needle Bar Mechanism	3
C.	Crank Shaft Mechanism	4
D.	Over Looper Mechanism	5
E.	Under Looper Mechanism	6
F.	Feed Mechanism (1).....	7
F.	Feed Mechanism (2).....	8
G.	Presser Foot Mechanism (1).....	9
G.	Presser Foot Mechanism (2).....	10
H.	Knives Mechanism	11
J.	Threading	12
K.	Blind Stitch Hemming	13
L.	Serging	13
M.	Taping	13
N.	Ruffler Interlocking Parts Assembly and Ruffling Attachment Assembly (1)	14
P.	Wrapper and Piping Parts	15
Z.	Accessories (1)	16
Z.	Machine Head Plate and Cotton Stand Assembly (2)	17
	DIFFERENT PARTS LIST	18
	INDEX	22

A. Machine Body (1)



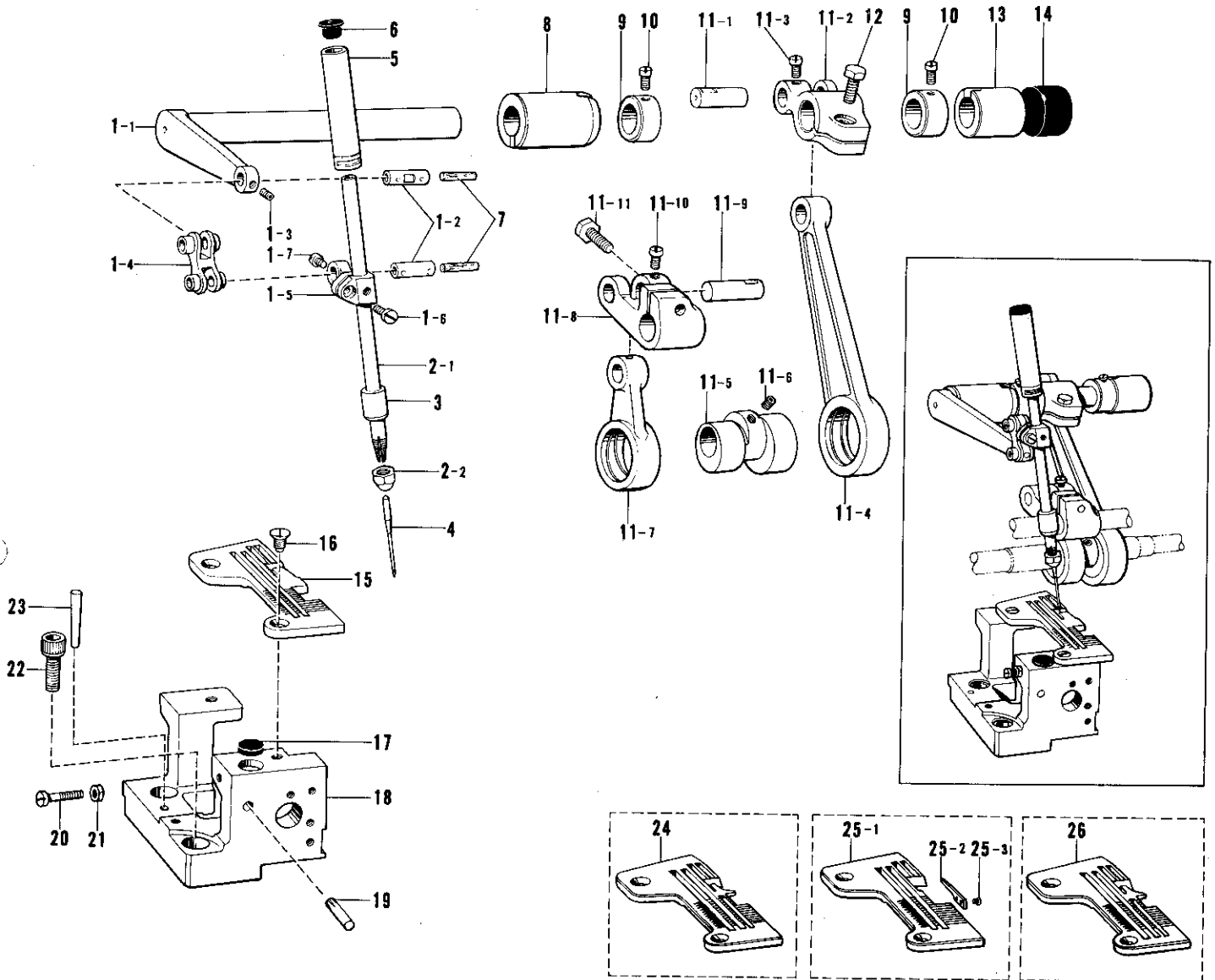
Ref. No.	Name of Parts	Q'ty	Parts No.	Assembly No.	Ref. No.	Name of Parts	Q'ty	Parts No.	Assembly No.
A-1	Cloth Plate Lower	1	148083-0-01		A-21-3	Hinge Cover Presser Plate	1	152194-0-01	
A-2	Screw	3	106568-0-01		A-21-4	Screw	2	009670-4-12	A-21
A-3	Cloth Plate	1	148082-0-01		A-21-5	Hinge Cover	1	148984-0-01	Front Cover
A-4	Screw	2	100032-0-03		A-21-6	Front Cover Hinge	1	146440-0-01	Assembly
A-5	Stopper Spring for Cloth Plate	1	148304-0-01		A-21-7	Pin	1	047140-8-42	148982-0-01
A-6	Screw	2	009670-6-12		A-21-8	Shaft for Front Cover	1	146441-0-00	
A-7	Face Plate Cover	1	148073-0-01		A-22	Screw	2	107407-0-03	
A-8	Pin for Face Plate	1	146426-0-00		A-23	Label	1	147943-0-01	
A-9	Screw	1	146427-0-01		A-24	Threading Diagram	1	148091-0-01	
A-10	Top Cover	1	148065-0-01		A-25	Front Cover Guide	1	148081-0-01	
A-11	Screw	4	009681-2-12		A-26	Screw	2	009670-6-12	
A-12	Packing	1	148066-0-00		A-27	Frame Hanger	1	148090-0-01	
A-13	Label	1			A-28	Screw	3	009680-7-12	
A-14	Model Plate 561	1			A-29	Threading Diagram	1	148092-0-01	
A-15	Pin	2			A-30-1	Front Cover	1		
A-16	Oil Cap	2	143196-0-01		A-30-2	Spring	1	146442-0-01	A-30
A-17-1	Supporter for Front Cover	1		A-17 Supporter for Front Cover Assembly 146713-0-01	A-30-3	Hinge Cover Presser Plate	1	152194-0-01	Front Cover
A-17-2	Thread Bushing	2	146924-0-00		A-30-4	Screw	2	009670-4-12	Assembly
A-18	Screw	2	117160-0-01		A-30-5	Hinge Cover	1	148984-0-01	148079-0-01
A-19	Stopper Spring for Front Cover	1	146446-0-01		A-30-6	Front Cover Hinge	1	146440-0-01	(Ruffling, Ruffling)
A-20	Screw	1	123185-0-01		A-30-7	Pin	1	047140-8-42	W/piping)
A-21-1	Front Cover	1		A-21 Front Cover Assembly 148982-0-01	A-30-8	Shaft for Front Cover	1	146441-0-00	
A-21-2	Spring	1	146442-0-01						

A. Machine Body (2)



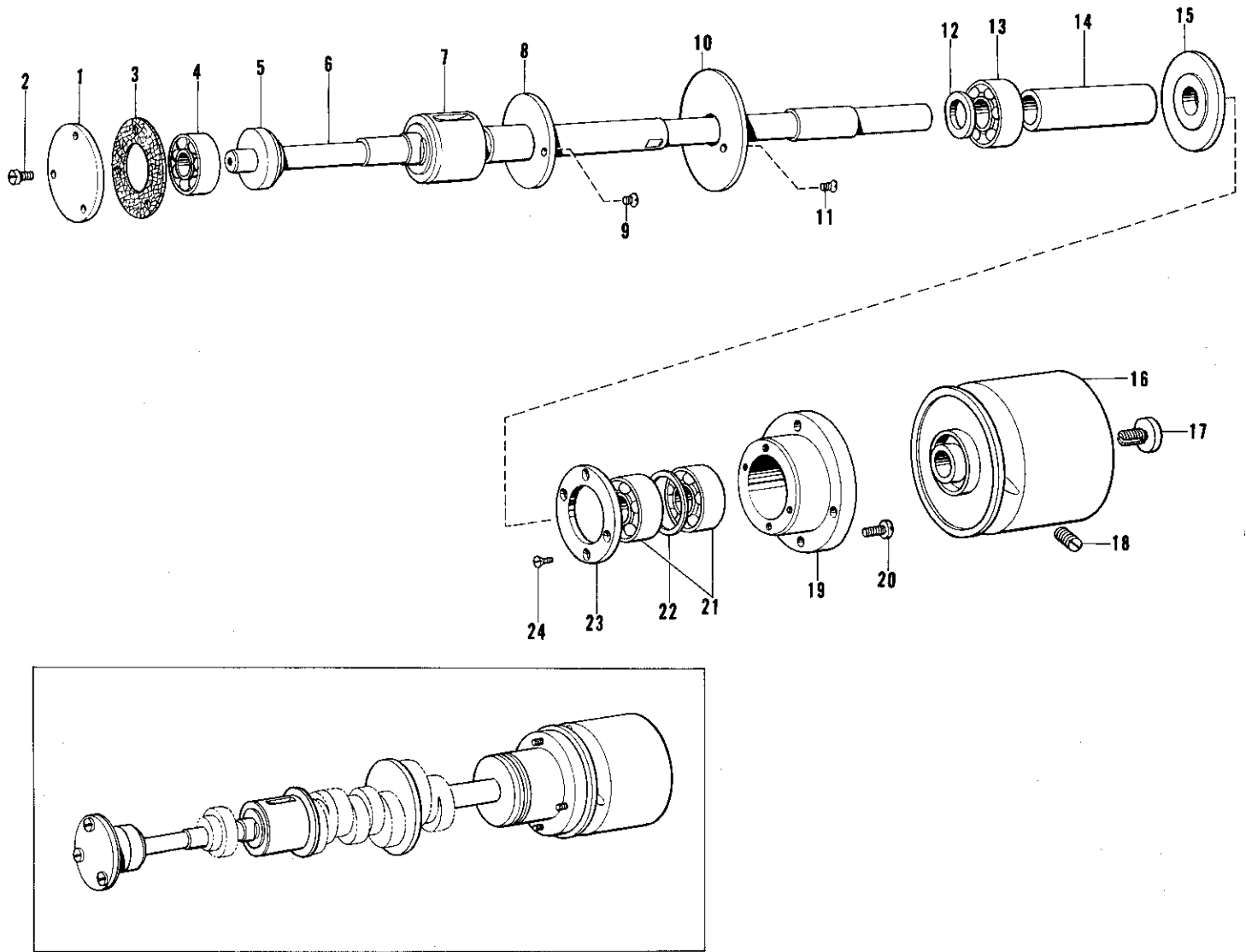
Ref. No.	Name of Parts	Q'ty	Parts No.	Assembly No.	Ref. No.	Name of Parts	Q'ty	Parts No.	Assembly No.
A-40	Cover for Needle Driving Mechanism	1	148067-0-01		A-67	Cover for Feed Mechanism (A)	1	148076-0-01	
A-41	Screw	6	009680-7-14		A-68	Screw	4	009670-6-12	
A-42	Screw	1	100032-0-03		A-69	Cloth Plate Cushion	1	148077-0-01	
A-43	Packing	1	148068-0-00		A-70	Oil Cap	1	146315-0-00	
A-44	Face Plate Packing	1	148075-0-00		A-71	Screw	2	013760-6-12	
A-45	Face Plate	1	148074-0-01		A-72	Cloth Plate Supporter	1	143374-0-01	
A-46	Stopper Spring	1	140041-0-01		A-73	Washer	1	141183-0-00	
A-47	Screw	1	009670-6-12		A-74-1	Collar	1		A-74 Collar Assembly 181969-0-03
A-48	Screw	1	102843-0-04		A-74-2	Screw	2	101706-0-01	
A-49	Screw	2	009670-6-12		A-75	Felt	1	112754-0-01	
A-50	Parts Book Number Plate	1			A-76	Felt Holder	1	148247-0-01	
A-51	Name Plate	2			A-77	Screw	1	009680-7-12	
A-52	Cap for Oil Feeding Hole	1	146421-0-00		A-78	Feed Mechanism Cover Hinge	1	148070-0-01	
A-53	Packing	1	113589-0-01		A-79	Screw	2	009680-7-12	
A-54	Oil Gauge	1	148084-0-01		A-80	Hinge Shaft	1	148071-0-00	
A-55	Screw	1	014680-4-22		A-81	Packing	1	148859-0-00	
A-56	Machine Body Leg	4	148085-0-01		A-82	Cover for Feed Mechanism (B)	1	148069-0-01	
A-57	Screw	1	110641-0-01		A-83	Screw	1	146427-0-01	
A-58	Packing	1	109203-0-01		A-84	Stopper Spring	1	148072-0-01	
A-59	Bolt	4	017771-6-12		A-85	Screw	1	009670-6-12	
A-60	Oil Reservoir	1	148087-0-01		A-86	Screw	1	106120-0-02	
A-61	Packing	1	148088-0-00		A-87	Wick	1	118768-0-01	
A-62	Inside Cover	1	148078-0-01		A-88	Vinyl Tube	1	146644-0-00	
A-63	Screw	2	009670-6-12		A-89	Tube Holder	1	148315-0-01	
A-64	Set Pin for Cushion	4	140077-0-01		A-90	Screw	1	009680-7-12	
A-65	Cloth Guide (L)	1	148089-0-01		A-91	Machine Body	1		
A-66	Screw	2	009670-6-12						

B. Needle Bar Mechanism



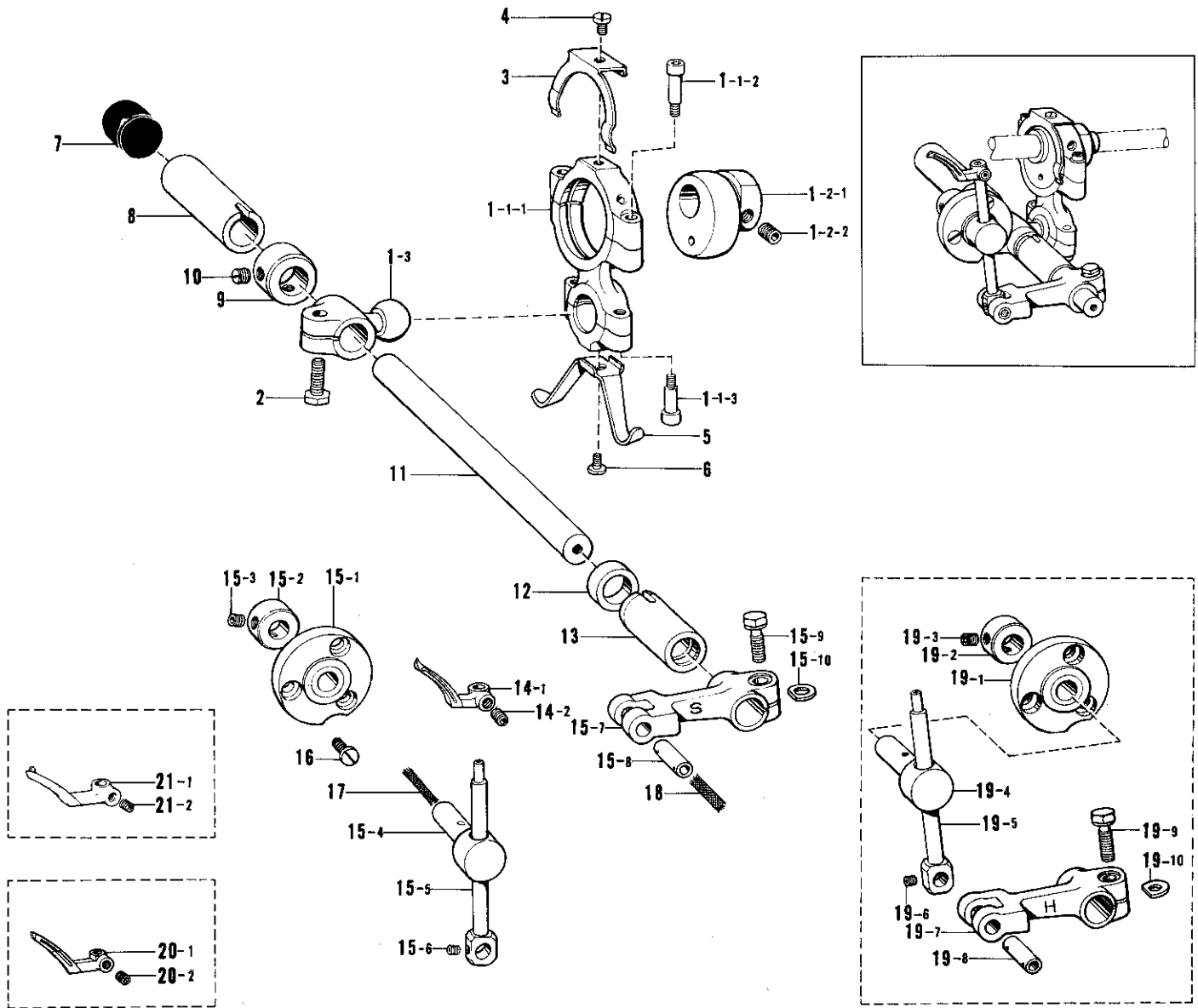
Ref. No.	Name of Parts	Q'ty	Parts No.	Assembly No.	Ref. No.	Name of Parts	Q'ty	Parts No.	Assembly No.
B- 1-1	Needle Bar Crank Shaft	1		B-1 Needle Bar Crank Shaft Assembly 148269-0-01	B-11- 7	Upper Knife Driving Rod	1		B-11 Needle Arm Driving Crank Rod Assembly 148858-0-01
B- 1-2	Needle Bar Link Stud	2	148271-0-01		B-11- 8	Upper Knife Driving Lever	1		
B- 1-3	Screw	1	146427-0-01		B-11- 9	Rod Pin	1	148117-0-01	
B- 1-4	Needle Bar Link	1	148270-0-01		B-11-10	Screw	1	100366-0-01	
B- 1-5	Needle Bar Clamp	1	148122-0-01		B-11-11	Bolt	1	017761-6-12	
B- 1-6	Screw	1	009670-8-12		B-12	Bolt	1	017761-6-12	
B- 1-7	Screw	1	009669-4-12		B-13	Needle Shaft Bushing (Right)	1	148120-0-00	
B- 2-1	Needle Bar	1		B-14	Oil Cap	1	140066-0-01		
B- 2-2	Needle Clamp Nut	1	147631-0-01	B-15	Needle Plate	1			
B- 3	Needle Bar Bushing (D)	1	146486-0-00	B-16	Screw	2	100032-0-03		
B- 4	Needle DC x 1	1		B-17	Cloth Plate Cushion (B)	1	111486-0-01		
B- 5	Needle Bar Bushing U	1	148123-0-01	B-18	Needle Plate Support Bracket	1	148124-0-01		
B- 6	Cap	1	114255-0-02	B-19	Pin	1	117608-0-01		
B- 7	Felt	2	147691-0-00	B-20	Screw	1	009671-4-12		
B- 8	Needle Shaft Bushing (Left)	1	148121-0-00	B-21	Nut	1	021670-2-02		
B- 9	Set Collar	2	140092-0-01	B-22	Bolt	2	018061-6-22		
B-10	Screw	4	100366-0-01	B-23	Pin	1	107351-0-01		
B-11-1	Rod Pin	1	148117-0-01	B-24	Needle Plate (Bulky)	1			
B-11-2	Needle Arm Driving Lever	1	148118-0-01	B-25-1	Needle Plate	1			
B-11-3	Screw	1	100366-0-01	B-25-2	Tongue Plate	1	148354-0-01		
B-11-4	Needle Bar Driving Crank Rod	1		B-25-3	Screw	2	148355-0-01		
B-11-5	Needle Bar, Upper Knife Eccentric Cam	1		B-26	Needle Plate (Ruffling, Ruffling W/piping)	1			
B-11-6	Screw	2	148857-0-01						

C. Crank Shaft Mechanism



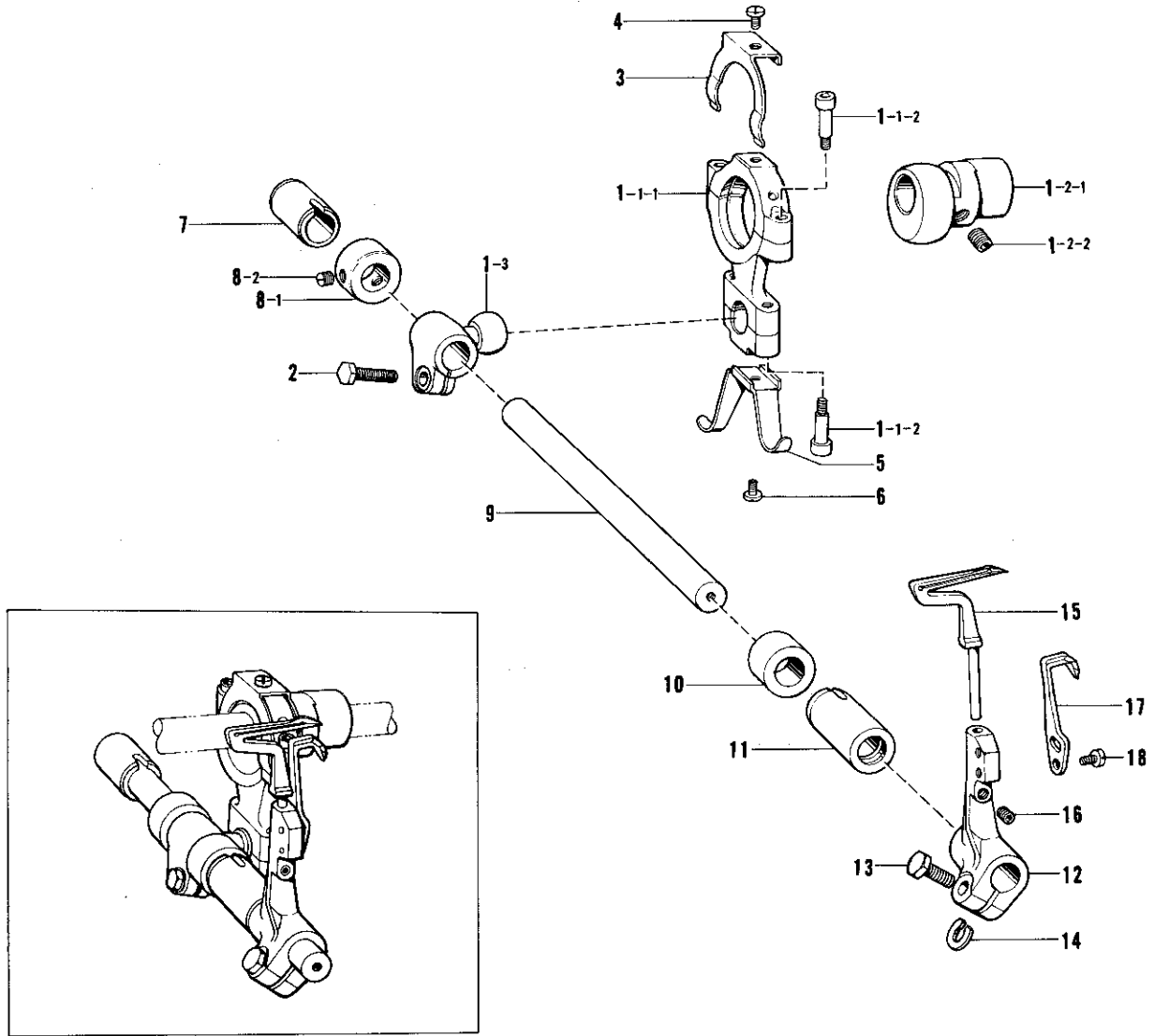
Ref. No.	Name of Parts	Q'ty	Parts No.	Assembly No.	Ref. No.	Name of Parts	Q'ty	Parts No.	Assembly No.
C- 1	Bearing Cap	1	143311-0-01		C-12	Spacer	1	148112-0-00	
C- 2	Screw	3	009670-8-12		C-13	Bearing 6001	1	072600-1-00	
C- 3	Packing	1	143312-0-00		C-14	Crank Shaft Bushing (L) Assembly	1	148111-0-00	
C- 4	Bearing 6000	1	072600-0-00		C-15	Oil Rejector	1	140084-0-00	
C- 5	Bushing	1	148086-0-00		C-16	Pulley	1	140085-0-03	
C- 6	Crank Shaft	1	148109-0-01		C-17	Cap Screw	1	140180-0-01	
C- 7	Crank Shaft Bushing (L) Assembly	1	148373-0-00		C-18	Screw	2	013761-4-10	
C- 8	Looper Connecting Rod Stopper Guide (L)	1	148225-0-01		C-19	Bearing Case	1	110670-0-00	
C- 9	Screw	2	102843-0-04		C-20	Screw	4	009681-0-12	
C-10	Looper Connecting Rod Stopper Guide (R)	1	148205-0-01		C-21	Bearing 6001	2	072600-1-00	
C-11	Screw	2	102843-0-04		C-22	Thrust Washer	1	110672-0-00	
					C-23	Bearing Cover	1	110673-0-00	
					C-24	Screw	4	107244-0-01	

D. Over Looper Mechanism



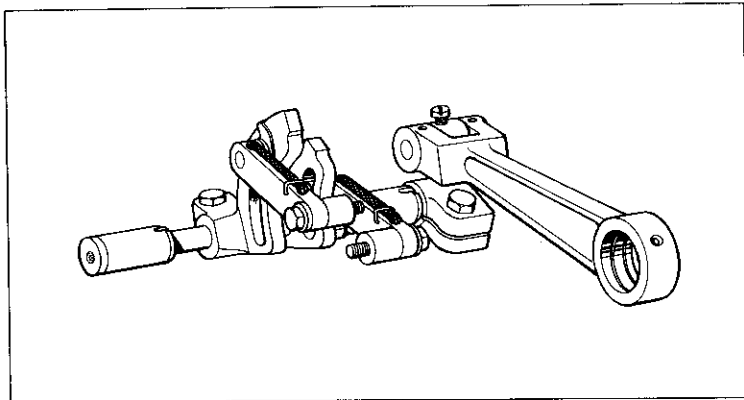
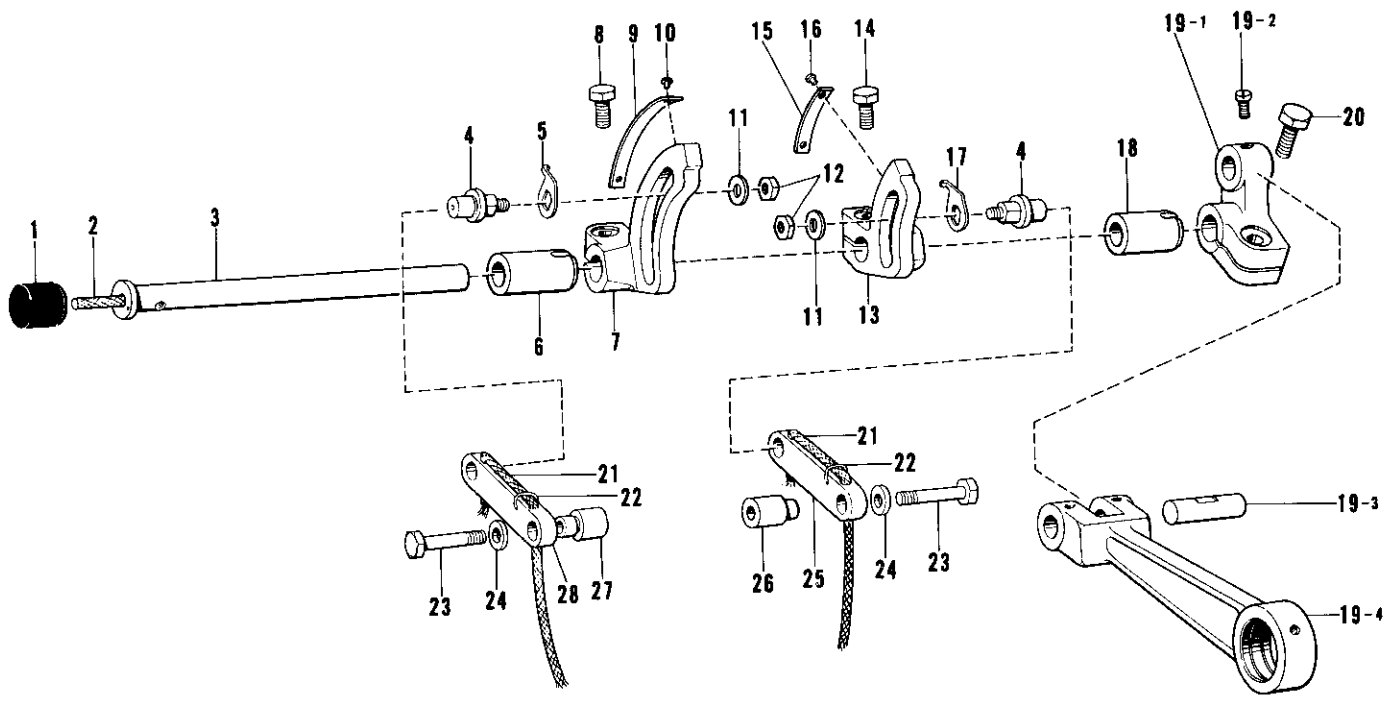
Ref. No.	Name of Parts	Q'ty	Parts No.	Assembly No.	Ref. No.	Name of Parts	Q'ty	Parts No.	Assembly No.
D- 1-1-1	Over Looper Connecting Rod	1		D-1-1 Over Looper Connecting Rod with Screw 181631-0-01	D-15- 5	Over Looper Holder	1	148213-1-01	D-15 Over Looper Assembly 148209-0-01 (Standard)
D- 1-1-2	Screw	2	150382-0-01		D-15- 6	Screw	1	013719-4-12	
D- 1-1-3	Screw	2	148425-0-01		D-15- 7	Over Looper Driving Lever	1		
D- 1-2-1	Over Looper Eccentric Cam	1		D-1-2 Over Looper Eccentric Cam Assembly 181628-0-01	D-15- 8	Over Looper Holder Pin	1	148212-0-01	
D- 1-2-2	Screw	2	148857-0-01		D-15- 9	Bolt	1	149172-0-01	
D- 1-3	Over Looper Connecting Lever	1		D-1 Over Looper Connecting Rod Assembly 148200-0-01	D-15-10	Spacer	1	148783-0-01	
D- 2	Bolt	1	017771-6-12		D-16	Screw	3	009680-7-12	
D- 3	Looper Connecting Rod Stopper	1	148204-0-01		D-17	Wick	1	148249-0-00	
D- 4	Screw	1	009670-5-12		D-18	Wick	1	108809-0-01	
D- 5	Oil Jumping Plate (Right)	1	148250-0-01		D-19- 1	Over Looper Holder Guide Base	1		D-19 Over Looper Assembly 148217-0-01 (High-lift)
D- 6	Screw	1	009670-5-12		D-19- 2	Collar	1		
D- 7	Oil Cap	1	140066-0-01		D-19- 3	Screw	2	014680-4-22	
D- 8	Over Looper Shaft Bushing Back	1	148207-0-00		D-19- 4	Over Looper Holder Guide Block	1		
D- 9	Set Collar	1	146581-0-01		D-19- 5	Over Looper Holder	1	148213-1-01	
D-10	Screw	2	100260-0-01		D-19- 6	Screw	1	013719-4-12	
D-11	Over Looper Shaft	1	148206-0-01		D-19- 7	Over Looper Driving Lever	1		
D-12	Thrust Collar	1	148208-0-01		D-19- 8	Over Looper Holder Pin	1	148212-0-01	
D-13	Bushing	1	144031-0-00		D-19- 9	Bolt	1	149172-0-01	
D-14-1	Over Looper (Standard)	1			D-19-10	Spacer	1	148783-0-01	
D-14-2	Screw	1	014680-4-22	D-14 Over Looper 147934-0-01	D-20- 1	Over Looper (High-lift)	1		D-20 Over Looper 147937-0-01
D-15-1	Over Looper Holder Guide Base	1		D-15 Over Looper Assembly 148209-0-01 (Standard)	D-20- 2	Screw	1	014680-4-22	
D-15-2	Collar	1			D-21- 1	Spreader	1		D-21 Spreader 147935-0-01
D-15-3	Screw	2	014680-4-22		D-21- 2	Screw	1	014680-4-22	
D-15-4	Over Looper Holder Guide Block	1							

E. Under Looper Mechanism



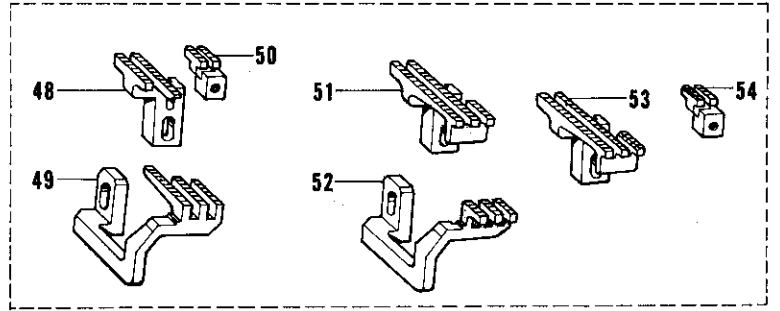
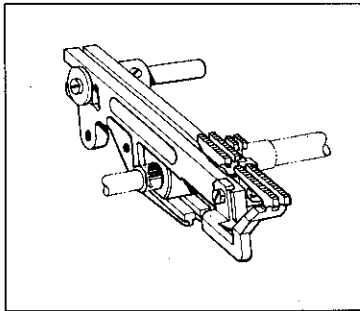
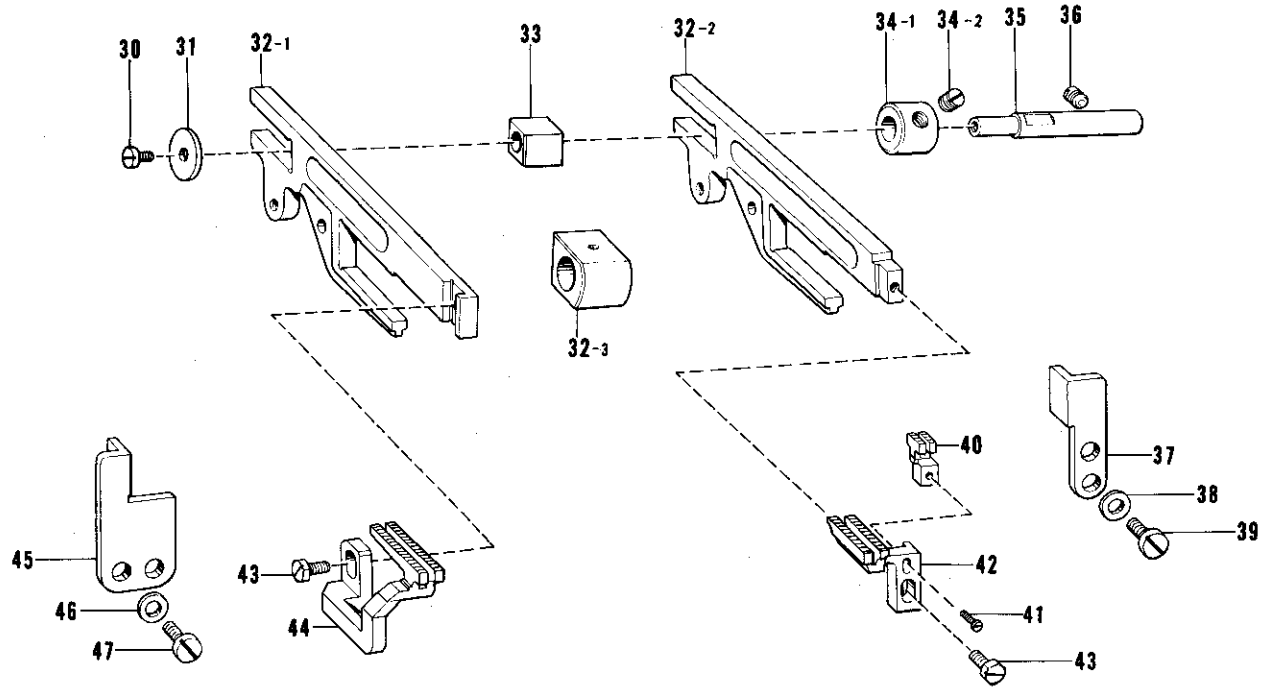
Ref. No.	Name of Parts	Q'ty	Parts No.	Assembly No.	Ref. No.	Name of Parts	Q'ty	Parts No.	Assembly No.
E- 1-1-1	Under Looper Connecting Rod	1		E-1-1 Under Looper Connecting Rod with Screw 181630-0-01	E- 9	Under Looper Shaft	1	148226-0-01	
E- 1-1-2	Screw	4	148425-0-01		E-10	Thrust Collar	1	148229-0-01	
E- 1-2-1	Under Looper Eccentric Cam	1		E-1-2 Under Looper Eccentric cam Assembly 181629-0-01	E-11	Under Looper Shaft Bushing Front	1	148228-0-00	
E- 1-2-2	Screw	2	148857-0-01		E-12	Under Looper Holder	1	146617-0-01	
E- 1-3	Under Looper Connecting Lever	1		E-1 Under Looper Connecting Rod Assembly 148220-0-01	E-13	Bolt	1	149171-0-01	
E- 2	Bolt	1	017771-4-12		E-14	Spacer	1	148782-0-01	
E- 3	Looper Connecting Rod Stopper	1	148224-0-01		E-15	Under Looper	1	144049-0-01	
E- 4	Screw	1	009670-5-12		E-16	Screw	1	014680-4-22	
E- 5	Oil Jumping Plate Middle	1	148251-0-01		E-17	Movable Needle Guard	1	144127-0-01	
E- 6	Screw	1	009670-5-12		E-18	Screw	2	009670-8-12	
E- 7	Under Looper Shaft Bushing Back	1	148227-0-00						
E- 8-1	Collar	1		E-8 Collar Assembly 180323-0-01					
E- 8-2	Screw	2	013760-6-12						

F. Feed Mechanism (1)



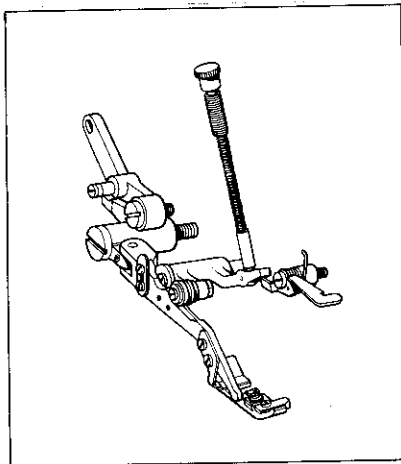
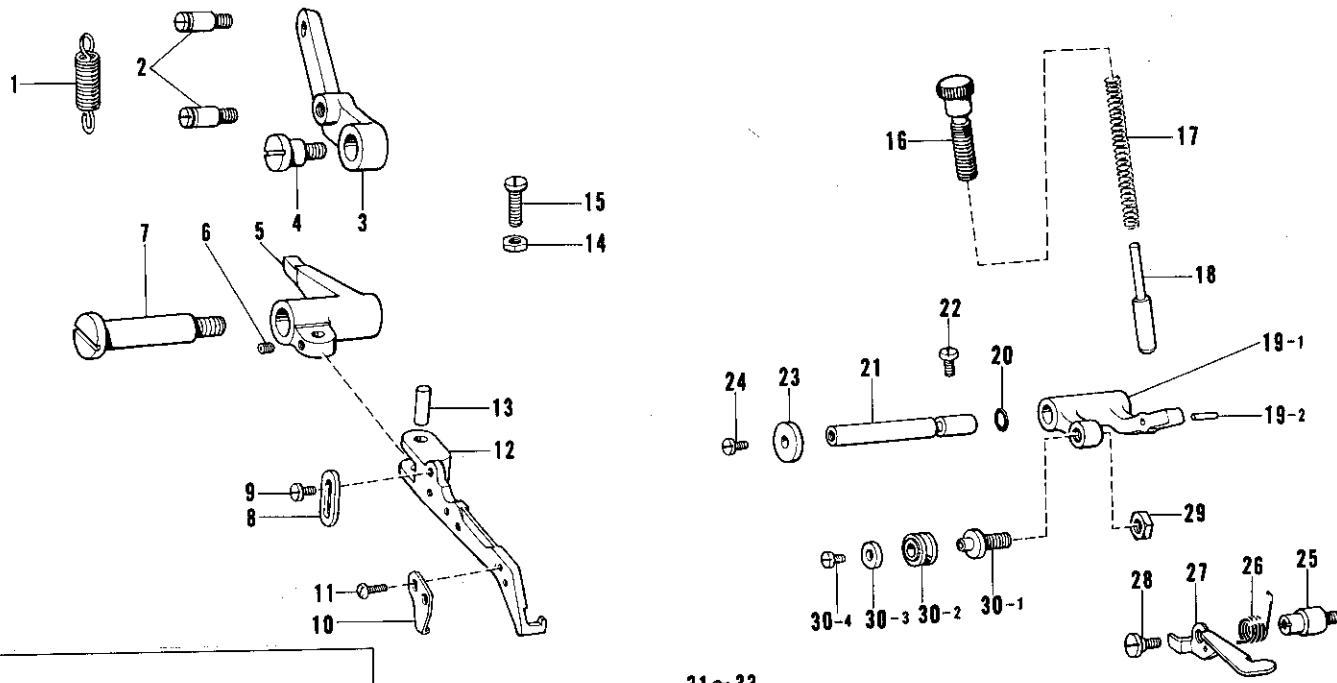
Ref. No.	Name of Parts	Q'ty	Parts No.	Assembly No.	Ref. No.	Name of Parts	Q'ty	Parts No.	Assembly No.
F- 1	Oil Cap	1	140065-0-01		F-17	Feed Link Indicator Plate (Right)	1	148182-0-01	
F- 2	Wick	1	148248-0-00		F-18	Feed Shaft Bushing (Right)	1	148169-0-00	
F- 3	Feed Shaft	1	148167-0-01		F-19-1	Feed Arm	1		F-19 Feed Rod Assembly 148163-0-01
F- 4	Feed Link Shaft	2	148181-0-01		F-19-2	Screw	1	100366-0-01	
F- 5	Feed Link Indicator Plate (Left)	1	148183-0-01		F-19-3	Feed Arm Pin	1	148166-0-01	
F- 6	Feed Shaft Bushing (Left)	1	148168-0-00		F-19-4	Feed Rod	1		
F- 7	Differential Feed Arm	1	148179-0-01		F-20	Bolt	1	017761-4-12	
F- 8	Bolt	1	017761-4-12		F-21	Wick	2	142674-0-00	
F- 9	Indicator Plate	1	148180-0-01		F-22	Steel Wire	2	140774-0-00	
F-10	Pin	2	116231-0-01		F-23	Bolt	2	148186-0-01	
F-11	Washer	2	148847-0-01		F-24	Washer	2	140208-0-01	
F-12	Nut	2	148838-0-01		F-25	Feed Link	1	148184-0-00	
F-13	Main Feed Arm	1	148177-0-01		F-26	Feed Link Bushing	1	148185-0-01	
F-14	Bolt	1	017761-4-12		F-27	Feed Link Bushing	1	148404-0-01	
F-15	Indicator Plate	1	148178-0-01		F-28	Feed Link	1	148403-0-01	
F-16	Pin	2	116231-0-01						

F. Feed Mechanism (2)



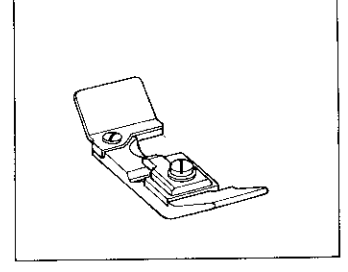
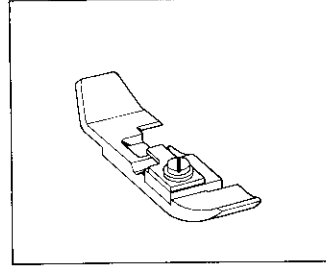
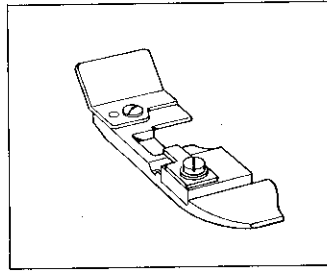
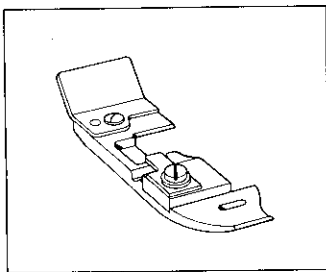
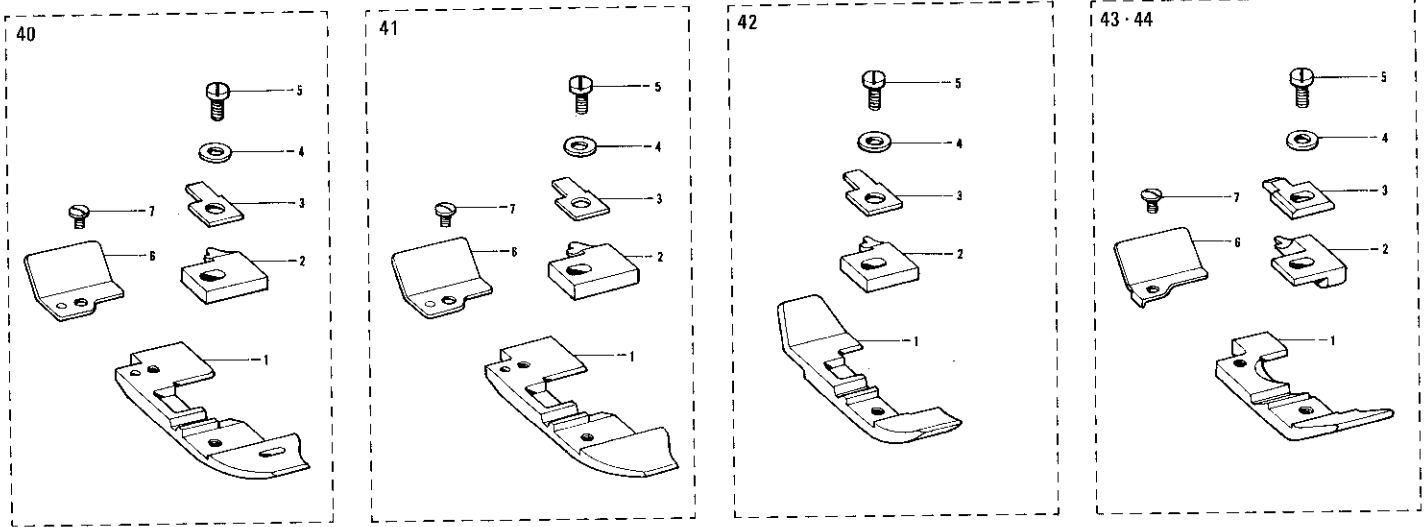
Ref. No.	Name of Parts	Q'ty	Parts No.	Assembly No.	Ref. No.	Name of Parts	Q'ty	Parts No.	Assembly No.
F-30	Screw	1	009680-7-12		F-42	Main Feed Dog	1	146744-0-01	
F-31	Slide Plate	1	146549-0-01		F-43	Bolt	2	117516-0-01	
F-32-1	Differential Feed Bar	1		E-32 Feed Bar Guide Block Assembly 148262-0-01	F-44	Differential Feed Dog	1	146748-0-01	
F-32-2	Main Feed Bar	1			F-45	Feed Bar Guide (Left)	1	148175-0-00	
F-32-3	Feed Lifting Slide Block	1	148173-0-00		F-46	Washer	2	113431-0-02	
F-33	Feed Bar Guide Block	1	146547-0-00		F-47	Screw	2	107407-0-03	
F-34-1	Collar	1		F-34 Collar Assembly 181995-0-01	F-48	Main Feed Dog (Bulky)	1	148187-0-01	
F-34-2	Screw	2	101706-0-03		F-49	Differential Feed Dog (Bulky)	1	146750-0-01	
F-35	Feed Bar Guide Block Shaft	1	148176-0-01		F-50	Chain Feed Dog (Bulky, Ruffling)	1	148189-0-01	
F-36	Screw	1	148857-0-01		F-51	Main Feed Dog (Ruffling)	1	148188-0-01	
F-37	Feed Bar Guide (Right)	1	148174-0-00		F-52	Differential Feed Dog (Ruffling, Ruffling W/piping)	1	146751-0-01	
F-38	Washer	2	113431-0-02		F-53	Main Feed Dog (Ruffling W/piping)	1	148754-0-01	
F-39	Screw	2	107407-0-03		F-54	Chain Feed Dog (Ruffling W/piping)	1	148753-0-01	
F-40	Chain Feed Dog	1	146577-0-01						
F-41	Screw	1	009630-8-12						

G. Presser Foot Mechanism (1)



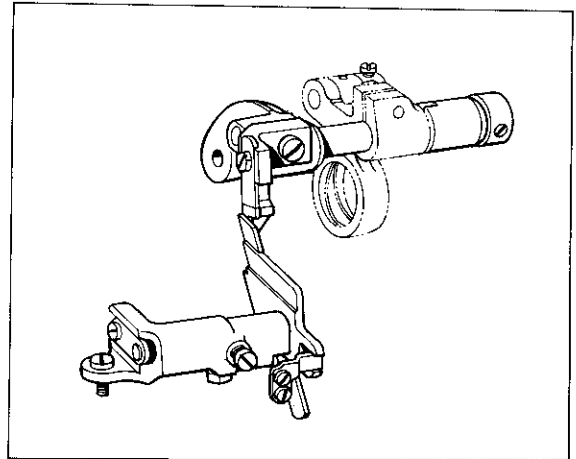
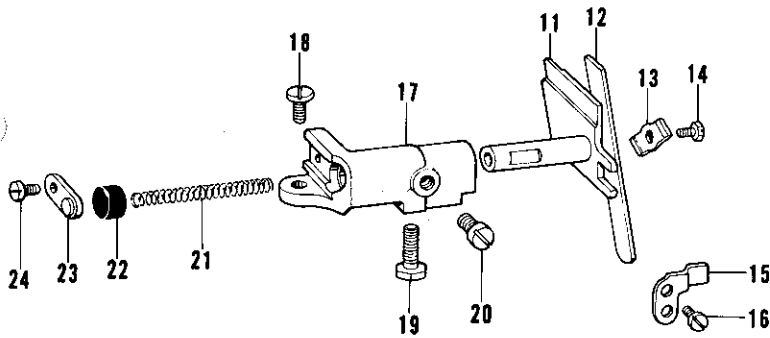
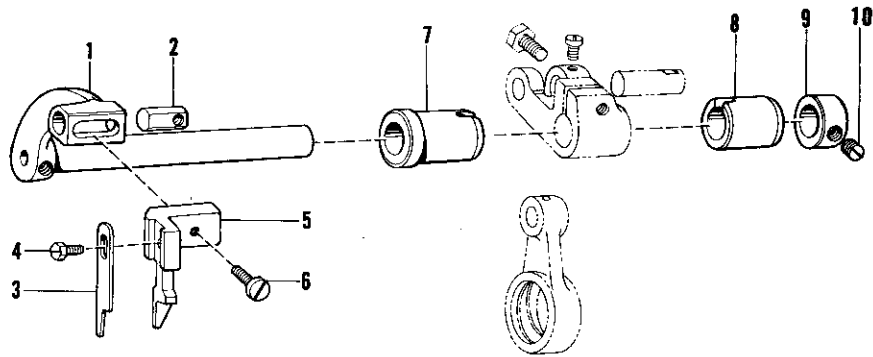
Ref. No.	Name of Parts	Q'ty	Parts No.	Assembly No.	Ref. No.	Name of Parts	Q'ty	Parts No.	Assembly No.
G- 1	Spring	1	148145-0-01		G-30-2	Presser Arm Roller	1		G-30
G- 2	Spring Hook	2	148144-0-01		G-30-3	Washer	1	148813-0-01	Presser Arm
G- 3	Presser Foot Lifter Lever	1	148143-0-01		G-30-4	Screw	1	009670-5-12	Roller Assembly
G- 4	Stud Screw	1	141528-0-02		G-31-1	Presser Foot	1		148346-0-01
G- 5	Presser Foot Supporter	1	148146-0-01		G-31-2	Presser Foot (Front)	1	146888-0-01	
G- 6	Screw	1	146427-0-01		G-31-3	Screw	1	009639-3-12	
G- 7	Presser Foot Supporter Stud	1	148147-0-01		G-31-4	Presser Foot Stitch Tongue	1	146886-0-01	G-31
G- 8	Presser Arm Stopper	1	148148-0-01		G-31-5	Presser Foot Hinge Spring	1	146887-0-01	Presser Foot
G- 9	Screw	2	009669-4-12		G-31-6	Washer	1	025030-1-32	Assembly
G-10	Presser Foot Stopper	1	140504-0-01		G-31-7	Screw	1	100080-0-04	146884-0-01
G-11	Screw	2	001660-5-12		G-31-8	Presser Foot (Rear)	1	146889-0-01	
G-12	Main Presser Arm	1	148149-0-01		G-31-9	Screw	1	100105-0-05	
G-13	Pin	1	141393-0-01		G-32-1	Presser Foot	1		
G-14	Nut	1	021680-2-02		G-32-2	Presser Foot (Front)	1	146888-0-01	
G-15	Screw	1	009681-6-12		G-32-3	Screw	1	009639-3-12	G-32
G-16	Presser Adjusting Screw	1	148128-0-01		G-32-4	Presser Foot Stitch Tongue	1	146894-0-01	Presser Foot
G-17	Spring	1	148129-0-01		G-32-5	Presser Foot Hinge Spring	1	146887-0-01	Assembly
G-18	Pin	1	148130-0-01		G-32-6	Washer	1	025030-1-32	146893-0-01
G-19-1	Presser Bar Lever	1		G-19 Presser Bar Lever Assembly 148131-0-01	G-32-7	Screw	1	100080-0-04	(Serging)
G-19-2	Roller	1	148133-0-01		G-32-8	Presser Foot (Rear)	1	146889-0-01	
G-20	"O" Ring	1	081002-6-70		G-32-9	Screw	1	100105-0-05	
G-21	Presser Bar Lever Shaft	1	148134-0-01		G-33-1	Presser Foot	1		
G-22	Screw	1	104908-0-01		G-33-2	Presser Foot (Front)	1	146888-0-01	
G-23	Washer	1	148135-0-01		G-33-3	Screw	1	009639-3-12	G-33
G-24	Screw	1	009680-7-12		G-33-4	Presser Foot Stitch Tongue	1	148313-0-01	Presser Foot
G-25	Presser Bar Lifter Bracket	1	148136-0-01		G-33-5	Presser Foot Hinge Spring	1	146887-0-01	Assembly
G-26	Spring	1	148138-0-01		G-33-6	Washer	1	025030-1-32	148311-1-01
G-27	Presser Bar Lifter	1	148137-0-01		G-33-7	Screw	1	100080-0-04	(Curling)
G-28	Screw	1	148139-0-01		G-33-8	Presser Foot (Rear)	1	146889-0-01	
G-29	Nut	1	100022-0-05		G-33-9	Screw	1	100105-0-05	
G-30-1	Presser Arm Roller Stud	1		G-30 148346-0-01					

G. Presser Foot Mechanism (2)



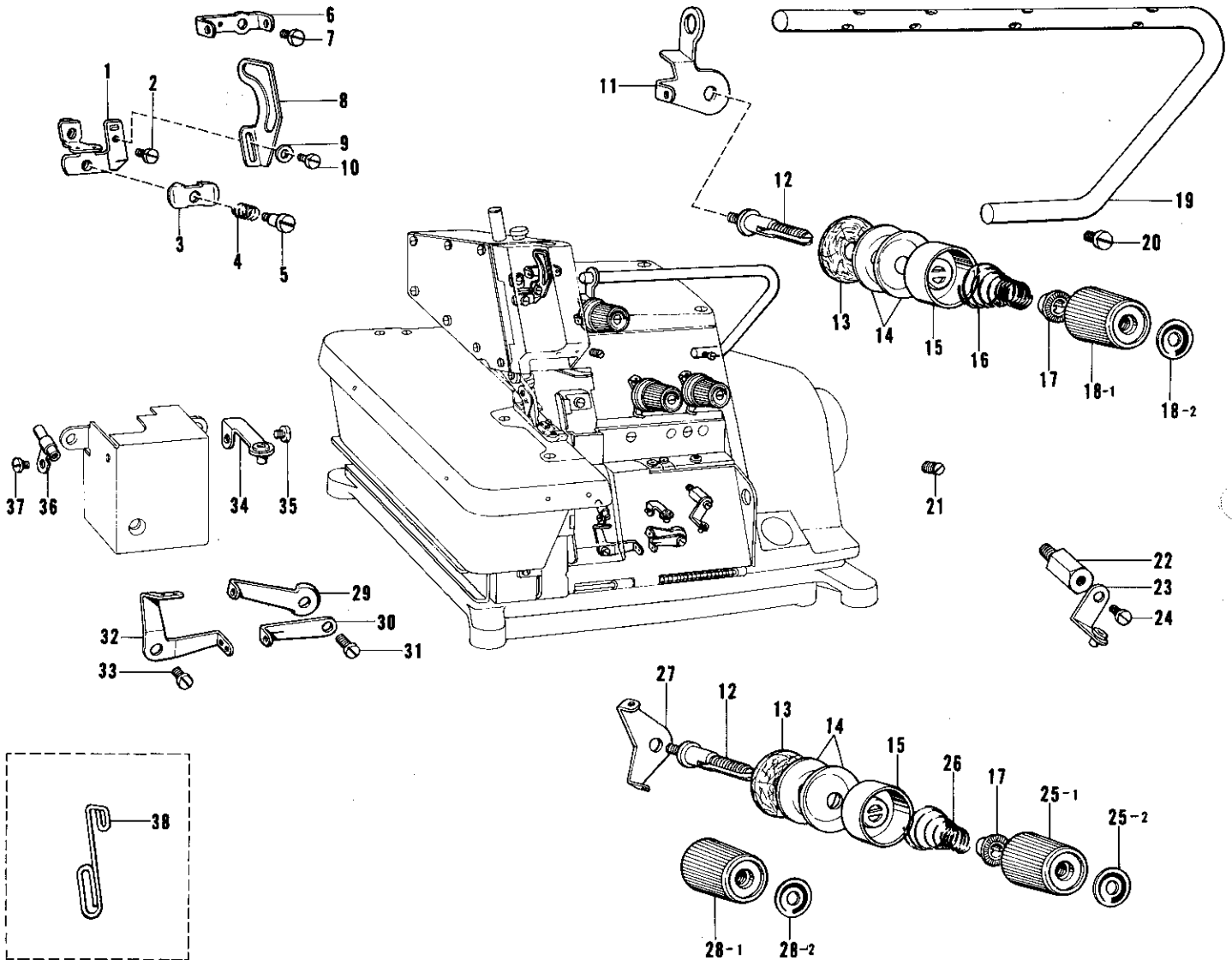
Ref. No.	Name of Parts	Q'ty	Parts No.	Assembly No.	Ref. No.	Name of Parts	Q'ty	Parts No.	Assembly No.
G-40-1	Presser Foot	1		G-40 Presser Foot Assembly 146895-0-01 (Taping)	G-42-4	Washer	1	025030-1-32	G-42 Presser Foot Assembly 146890-0-01 (Blind Hemming)
G-40-2	Presser Foot Stitch Tongue	1	146897-0-01		G-42-5	Screw	1	100080-0-04	
G-40-3	Presser Foot Hinge Spring	1	146887-0-01		G-43-1	Presser Foot (U)	1		G-43 Presser Foot Assembly 144811-0-01 (Ruffling)
G-40-4	Washer	1	025030-1-32		G-43-2	Presser Foot Stitch Tongue (U)	1	144813-0-01	
G-40-5	Screw	1	100080-0-04		G-43-3	Presser Foot Plate	1	144091-0-01	
G-40-6	Presser Foot (Rear)	1	145774-0-01		G-43-4	Washer	1	025030-1-32	
G-40-7	Screw	1	100105-0-05		G-43-5	Screw	1	100080-0-04	
G-41-1	Presser Foot	1		G-43-6	Presser Foot (Rear)	1	144100-0-01		
G-41-2	Presser Foot Stitch Tongue	1	146900-0-01	G-43-7	Screw	1	100105-0-05	G-44 Presser Foot Assembly 147433-0-01 (Ruffling W/piping)	
G-41-3	Presser Foot Hinge Spring	1	146887-0-01	G-44-1	Presser Foot	1			
G-41-4	Washer	1	025030-1-32	G-44-2	Presser Foot Stitch Tongue (U)	1	144813-0-01		
G-41-5	Screw	1	100080-0-04	G-44-3	Presser Foot Plate	1	144091-0-01		
G-41-6	Presser Foot (Rear)	1	145774-0-01	G-44-4	Washer	1	025030-1-32		
G-41-7	Screw	1	100105-0-05	G-44-5	Screw	1	100080-0-04		
G-42-1	Presser Foot	1		G-44-6	Presser Foot (Rear)	1	144100-0-01		
G-42-2	Presser Foot Stitch Tongue	1	146892-0-01	G-44-7	Screw	1	100105-0-05		
G-42-3	Presser Foot Hinge Spring	1	146887-0-01						

H. Knives Mechanism



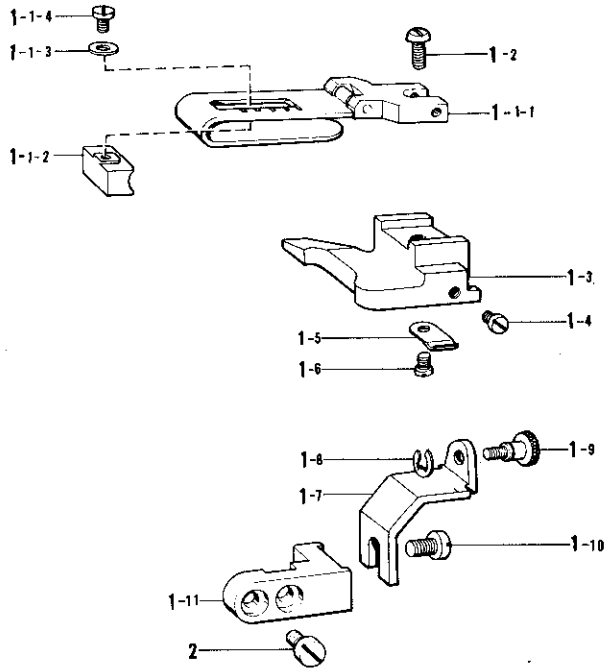
Ref. No.	Name of Parts	Q'ty	Parts No.	Assembly No.	Ref. No.	Name of Parts	Q'ty	Parts No.	Assembly No.
H- 1	Upper Knife Driving Arm	1	146580-0-01		H-13	Lower Knife Presser Plate	1	117515-0-01	
H- 2	Nut	1	148281-0-01		H-14	Bolt	1	117516-0-01	
H- 3	Upper Knife	1	148198-0-01		H-15	Lower Knife Holder Guide	1	146585-0-01	
H- 4	Bolt	1	144075-0-01		H-16	Screw	2	009670-6-12	
H- 5	Upper Knife Holder	1	144073-0-01		H-17	Lower Knife Holder Supporter	1	146582-0-01	
H- 6	Screw	1	107407-0-03		H-18	Screw	1	107407-0-03	
H- 7	Knife Driving Shaft Bushing (Left)	1	148196-0-00		H-19	Bolt	1	017771-6-12	
H- 8	Knife Driving Shaft Bushing (Right)	1	148197-0-00		H-20	Screw	1	102627-0-01	
H- 9	Set Collar	1	146581-0-01		H-21	Spring	1	146584-0-01	
H-10	Screw	2	100260-0-01		H-22	Cap	1	146586-0-00	
H-11	Lower Knife Holder	1	146754-0-01		H-23	Lower Knife Holder Spring Stopper	1	140248-0-01	
H-12	Lower Knife	1	112436-0-01		H-24	Screw	1	009680-7-12	

J. Threading

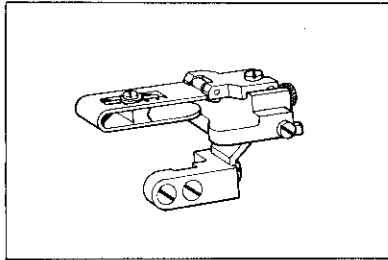
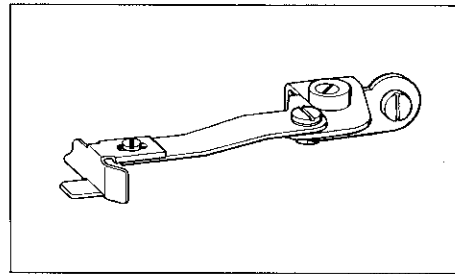
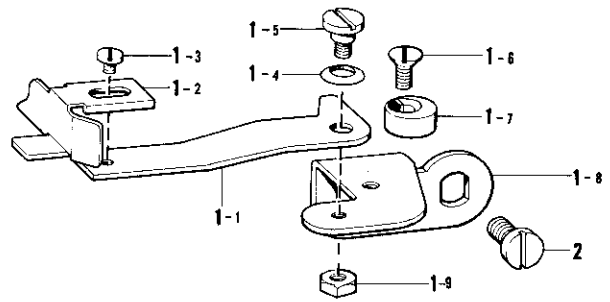


Ref. No.	Name of Parts	Q'ty	Parts No.	Assembly No.	Ref. No.	Name of Parts	Q'ty	Parts No.	Assembly No.
J- 1	Needle Thread Take-up Supporter	1	147344-0-01		J-21	Screw	1	151601-0-02	
J- 2	Screw	1	009670-5-12		J-22	Thread Guide Holder	1	148254-0-01	
J- 3	Needle Thread Guard	1	112300-0-01		J-23	Under Looper Thread Guide	1	146926-0-02	
J- 4	Needle Thread Guard Spring	1	112299-0-01		J-24	Screw	1	009670-6-12	
J- 5	Screw	1	112301-0-01		J-25-1	Thread Tension Control Nut	1	149566-0-01	J-25 Thread Tension Control Nut Assembly 149568-0-02
J- 6	Needle Thread Guide (A)	1	143757-0-01		J-25-2	Tension Indicating Plate	1	147049-0-02	
J- 7	Screw	1	009670-8-12		J-26	Spring	2	144110-0-01	
J- 8	Needle Thread Take-up	1	144108-0-01		J-27	Needle Thread Guide Plate	2	110813-0-01	
J- 9	Washer	1	105248-0-03		J-28-1	Thread Tension Control Nut	1	149566-0-01	J-28 Thread Tension Control Nut Assembly 149568-0-04
J-10	Screw	1	009660-4-12		J-28-2	Tension Indicating Plate	1	147049-0-04	
J-11	Thread Guide Supporter	1	146649-0-01		J-29	Over Looper Thread Take-up (R)	1	146652-0-01	
J-12	Looper Thread Tension Control Stud	3	110820-0-01		J-30	Under Looper Thread Take-up (R)	1	146653-0-01	
J-13	Felt	3	110832-0-01		J-31	Screw	1	009670-8-12	
J-14	Tension Disc	6	145446-0-01		J-32	Looper Thread Take-up (L)	1	146654-0-01	
J-15	Presser for Tension Disc	3	144103-0-02		J-33	Screw	1	009670-6-12	
J-16	Spring	1	144104-0-01		J-34	Over Looper Thread Guide	1	146929-0-01	
J-17	Tension Spring Washer	3	144105-0-00		J-35	Screw	1	009670-6-12	
J-18-1	Thread Tension Control Nut	1	149566-0-01	J-18 Thread Tension Control Nut Assembly 149568-0-03	J-36	Over Looper Thread Guide	1	142669-0-02	
J-18-2	Tension Indicating Plate	1	147049-0-03		J-37	Screw	1	122771-0-02	
J-19	Main Thread Guide	1	148253-0-01		J-38	Needle Thread Take-up	1	142201-0-01	
J-20	Screw	1	009681-4-12						

K. Blind Stitch Hemming



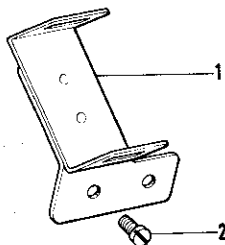
L. Serging



Ref. No.	Name of Parts	Q'ty	Parts No.	Assembly No.
K- 1- 1-1	Blind Hemming Ruler A Assembly	1		K-1-1 Blind Hemming Ruler A Assembly 151173-0-01
K- 1- 1-2	Blind Hemming Ruler Adjuster	1	150339-0-01	
K- 1- 1-3	Washer	1	025030-2-32	K-1 Blind Hemming Ruler Assembly 147710-0-01
K- 1- 1-4	Screw	1	009660-4-12	
K- 1- 2	Screw	1	001670-6-14	
K- 1- 3	Blind Hemming Ruler	1		
K- 1- 4	Screw	1	111443-0-01	
K- 1- 5	Flat Spring	1	147713-0-01	
K- 1- 6	Screw	1	009679-3-12	
K- 1- 7	Blind Hemming Ruler Fitting Holder	1	147712-0-01	
K- 1- 8	Stop Ring	1	048030-3-42	
K- 1- 9	Adjusting Screw	1	146759-0-01	
K- 1-10	Screw	1	009680-7-12	
K- 1-11	Supporter for Blind Hemming Ruler Fitting	1	146760-0-01	
K- 2	Screw	2	009670-6-12	

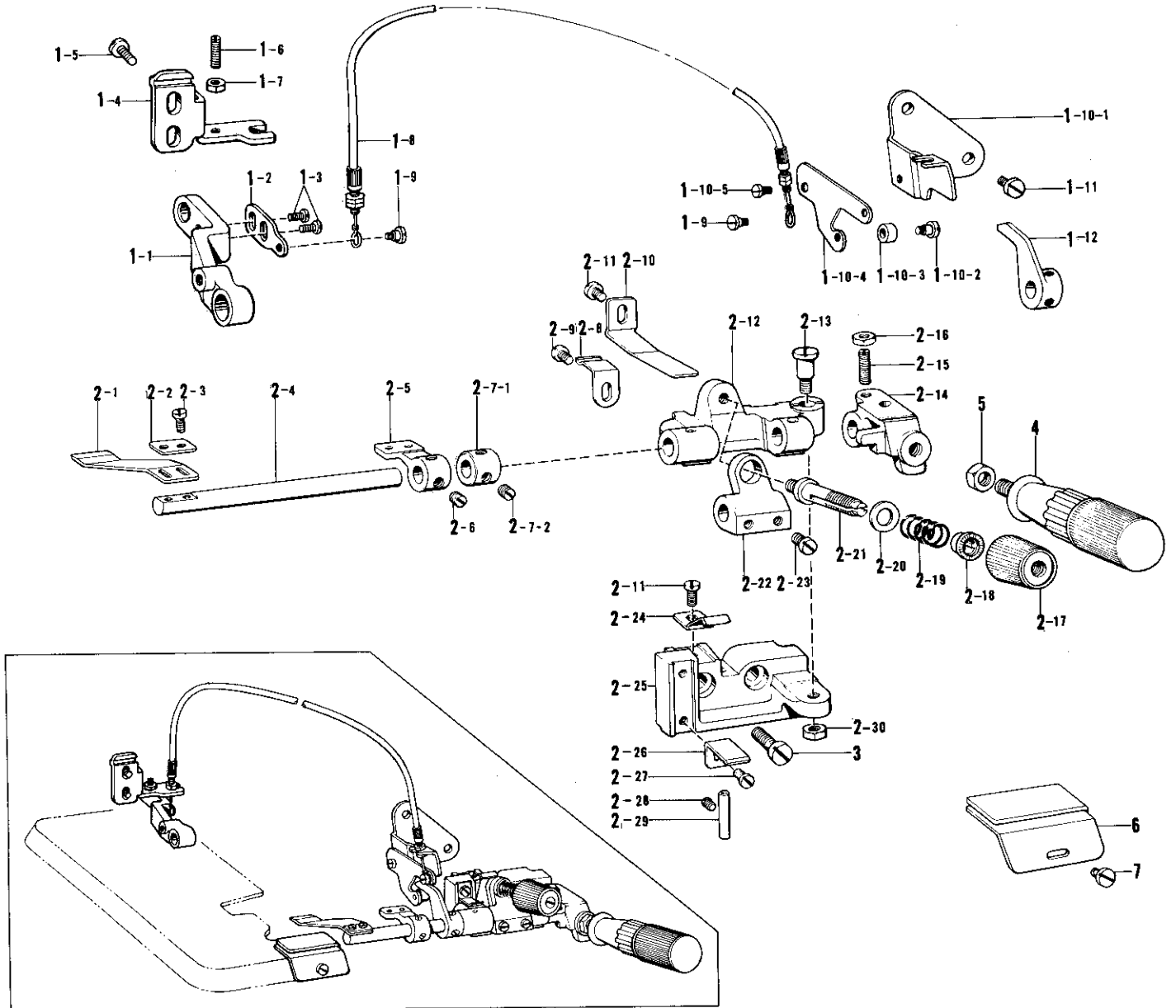
Ref. No.	Name of Parts	Q'ty	Parts No.	Assembly No.
L- 1-1	Edge Guide Set Plate	1	146596-0-01	L-1 Edge Guide Assembly 146761-0-01
L- 1-2	Edge Guide	1	146762-0-01	
L- 1-3	Screw	1	009679-3-12	
L- 1-4	Spring Washer	1	146598-0-01	
L- 1-5	Stud Screw	1	146597-0-01	
L- 1-6	Screw	1	005710-8-12	
L- 1-7	Presser Arm Stopper	1	144088-0-01	
L- 1-8	Edge Guide Supporter	1	146599-0-01	
L- 1-9	Nut	1	021680-2-02	
L- 2	Screw	2	110201-0-01	

M. Taping



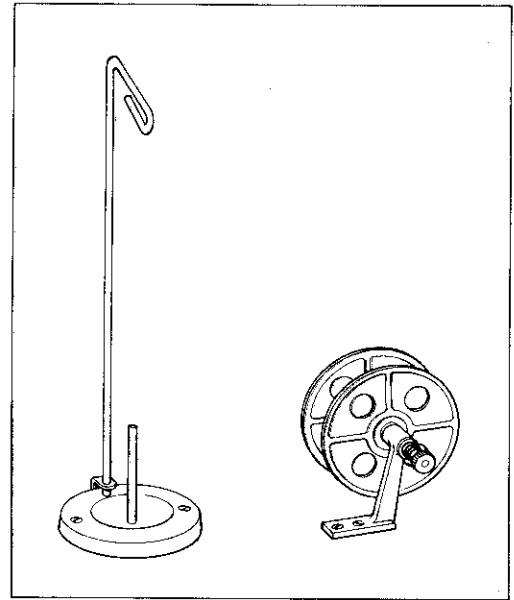
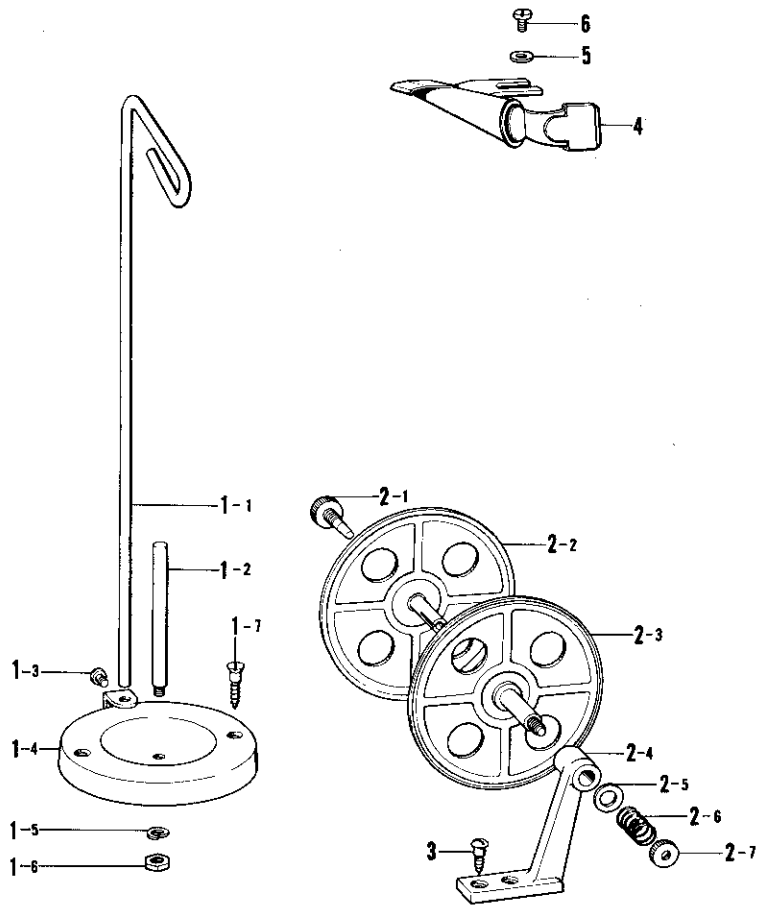
Ref. No.	Name of Parts	Q'ty	Parts No.	Assembly No.
M- 1	Tape Guide	1	146883-0-01	
M- 2	Screw	2	009669-4-12	

N. Ruffler Interlocking Parts Assembly and Ruffling Attachment Assembly (1)



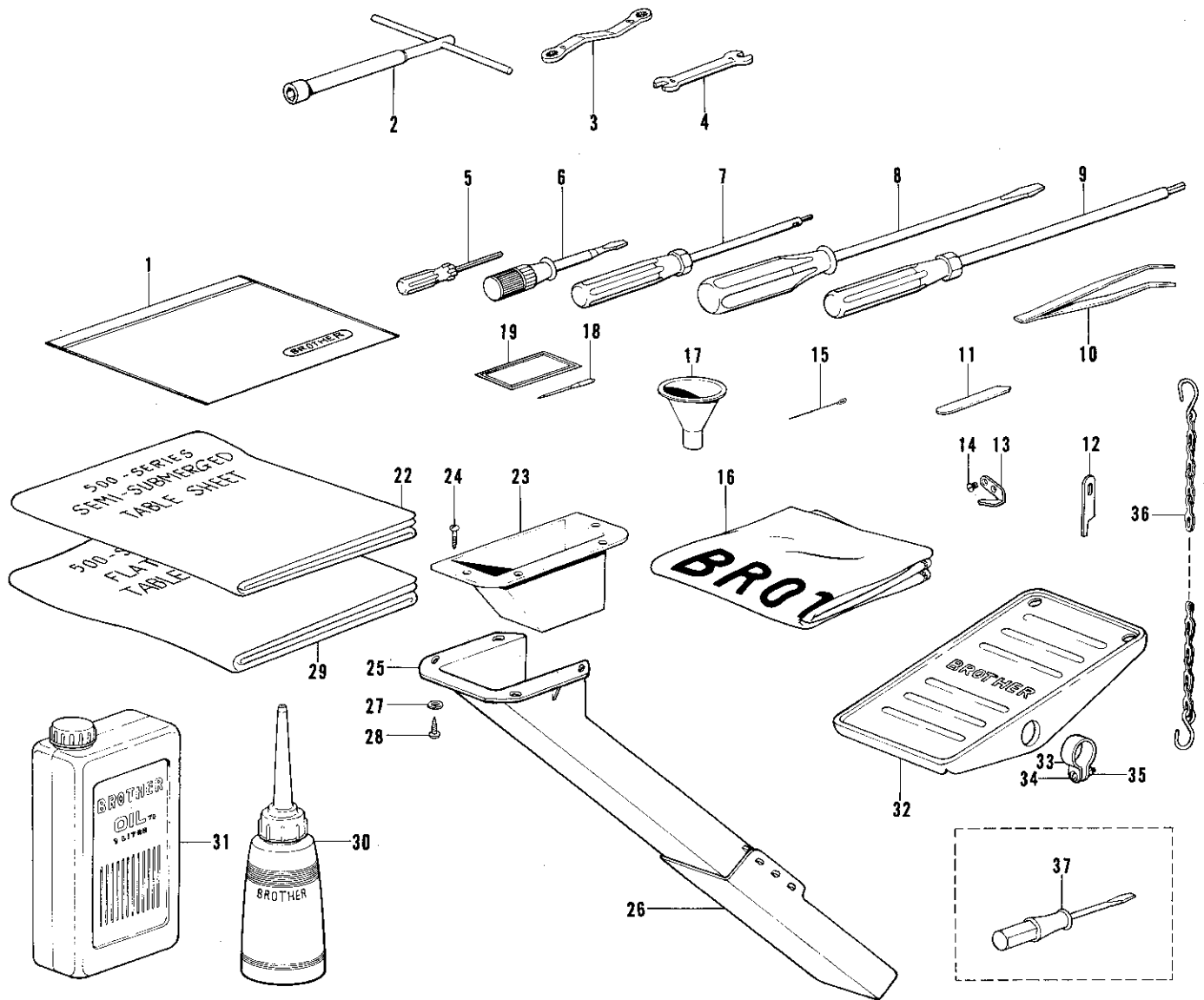
Ref. No.	Name of Parts	Q'ty	Parts No.	Assembly No.	Ref. No.	Name of Parts	Q'ty	Parts No.	Assembly No.	
N- 1- 1	Presser Foot Lifter Lever	1	149256-0-01	N-1 Ruffler Interlocking Parts Assembly 149252-0-02	N- 2-10	Spring Plate	1	145811-0-01	N-2 Ruffling Attachment Assembly 146587-0-01	
N- 1- 2	Wire Plate	1	149255-0-01		N- 2-11	Screw	2	009680-6-12		
N- 1- 3	Screw	2	009670-6-12		N- 2-12	Bracket for Ruffling Blade	1	146588-0-01		
N- 1- 4	Lever Adjusting Plate	1	151614-0-01		N- 2-13	Screw	1	147933-0-01		
N- 1- 5	Screw	2	009761-0-12		N- 2-14	Handle Fixing Plate	1	145810-0-01		
N- 1- 6	Screw	1	153483-0-01		N- 2-15	Screw	1	110230-0-01		
N- 1- 7	Nut	1	110161-0-06		N- 2-16	Nut	1	105234-0-03		
N- 1- 8	Flexible Wire Assembly	1	149253-0-01		N- 2-17	Tension Nut	1	149566-0-01		
N- 1- 9	Screw	2	141514-0-01		N- 2-18	Tension Spring Washer	1	144105-0-00		
N- 1-10-1	Presser Foot Lifter Lever Support	1	148389-0-01	N- 2-19	Spring	1	144788-0-01			
N- 1-10-2	Screw	1	112301-0-01	N- 2-20	Washer	1	025770-2-32			
N- 1-10-3	Roller	1	148390-0-01	N- 2-21	Looper Thread Tension Control Stud	1	110820-0-01			
N- 1-10-4	Ruffling Plate Lifter Lever	1	148388-0-01	N- 2-22	Spring Base	1	146590-0-01			
N- 1-10-5	Screw	1	141514-0-01	N- 2-23	Screw	2	105163-0-01			
N- 1-11	Screw	1	009680-8-12	N- 2-24	Spring Plate	1	145808-0-01			
N- 1-12	Ruffling Plate Lifter	1	148387-0-01	N- 2-25	Ruffler Base	1				
N- 2- 1	Ruffling Blade	1	144783-0-01	N- 2-26	Ruffling Blade Guide	2	145807-0-01			
N- 2- 2	Washer	1	144784-0-01	N- 2-27	Screw	2	009680-8-12			
N- 2- 3	Screw	2	009660-7-12	N- 2-28	Screw	1	013679-4-12			
N- 2- 4	Ruffling Blade Base Shaft	1	145803-0-01	N- 2-29	Thread Guide Pipe	1	146592-0-01			
N- 2- 5	Wrapper Base	1	146589-0-01	N- 2-30	Nut	1	150553-0-02			
N- 2- 6	Screw	2	101706-0-01	N- 3	Screw	2	009781-8-12			
N- 2- 7-1	Collar	1		N- 4	Handle	1	145809-0-01			
N- 2- 7-2	Screw	2	101706-0-01	N- 5	Nut	1	150556-0-02			
N- 2- 8	Spring	1	144764-0-01	N- 6	Ruffler Guide	1	144793-0-00			
N- 2- 9	Screw	1	001670-5-12	N- 7	Screw	1	112751-0-02			
				N-2-7 Collar Assembly 181995-0-02						

P. Wrapper and Piping Parts



Ref. No.	Name of Parts	Q'ty	Parts No.	Assembly No.	Ref. No.	Name of Parts	Q'ty	Parts No.	Assembly No.
P- 1-1	Thread Guide Stud	1		P-1 Cotton Stand 181031-0-01	P- 2-3	Tape Winder Wheel (R)	1		P-2 Tape Winder Assembly 143767-0-02
P- 1-2	Spool Stud	1	100444-0-02		P- 2-4	Tape Winder Bracket	1		
P- 1-3	Screw	1	100080-0-02		P- 2-5	Washer	1	108494-0-01	
P- 1-4	Spool Disc	1			P- 2-6	Spring	1	108495-0-01	
P- 1-5	Spring Washer	1	028050-2-42		P- 2-7	Tension Control Nut	1	100136-0-01	
P- 1-6	Nut	1	110161-0-03		P- 3	Screw	2	101118-0-01	
P- 1-7	Screw	2	100447-0-01		P- 4	Wrapper Assembly	1	147440-0-00	
P- 2-1	Screw	1	143980-0-01	P- 5	Washer	2	110735-0-02		
P- 2-2	Tape Winder Wheel (L)	1		P- 6	Screw	2	009680-6-12		

Z. Accessories (1)

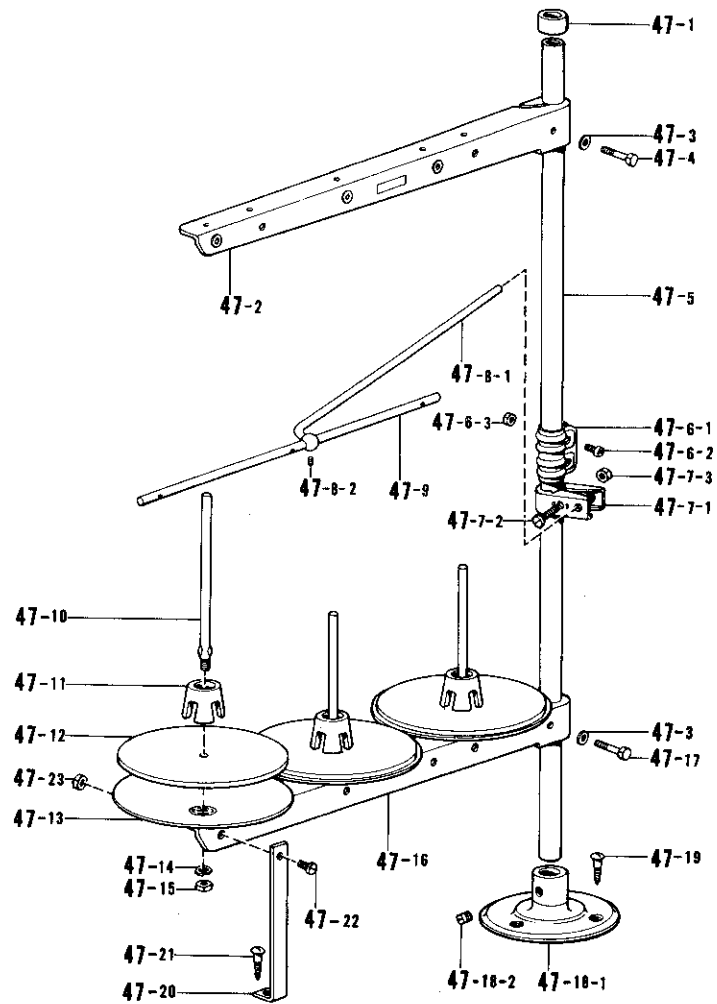
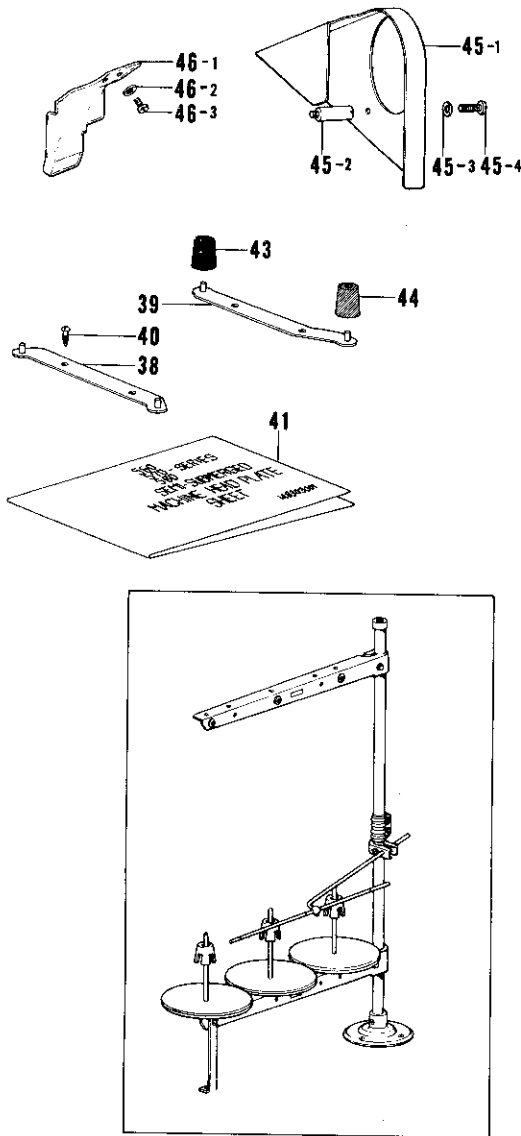


Ref. No.	Name of Parts	Q'ty	Parts No.	Assembly No.	Ref. No.	Name of Parts	Q'ty	Parts No.	Assembly No.
Z- 1	Vinyl Bag		122991-0-01		Z-19	Needle Bag			
Z- 2	Wrench		140342-0-01		Z-22	Table Sheet		148258-0-01	
Z- 3	Wrench		105343-0-01		Z-23	Duster Drop		148430-0-01	
Z- 4	Spanner 6 X 7		107779-0-01		Z-24	Screw		031311-3-02	
Z- 5	Screw Driver		144124-0-01		Z-25	Duster Shoot L		148431-0-01	
Z- 6	Screw Driver		118837-0-01		Z-26	Duster Shoot S		148432-0-01	
Z- 7	Driver Wrench		146700-0-01		Z-27	Washer		025680-2-32	
Z- 8	Screw Driver		101572-1-01		Z-28	Screw		031451-6-03	
Z- 9	Screw Driver		149173-0-01		Z-29	Table Sheet		149005-0-01	
Z-10	Tweezers		117466-0-00		Z-30	Oiler		114483-0-01	
Z-11	Lower Knife		112436-0-01		Z-31	Oil Tank		145277-1-03	
Z-12	Upper Knife		148198-0-01		Z-32	Treadle Pedal		147893-0-01	
Z-13	Trimming Knife		148259-0-01		Z-33	Pedal Stopper		116016-0-01	
Z-14	Screw		141542-0-01		Z-34	Screw		001401-4-06	
Z-15	Threader		142125-0-00		Z-35	Nut		021400-1-06	
Z-16	Head Cover		144225-0-01		Z-36	Chain Assembly		142262-0-01	
Z-17	Funnel		140759-0-00		Z-37	Screw Driver		148925-0-01	
Z-18	Needle DCX1								

*The details of included accessories are subject to change.
 *Änderungen in der Aufstellung der mitgelieferten Zubehöre sind vorbehalten.

*Les détails des accessoires inclus sont sujets à des changements.
 *Los detalles de los accesorios incluidos pueden variar.

Z. Machine Head Plate and Cotton Stand Assembly (2)



Ref. No.	Name of Parts	Q'ty	Parts No.	Assembly No.	Ref. No.	Name of Parts	Q'ty	Parts No.	Assembly No.
Z-38	Cushion Base (Left)		148292-0-01		Z-47- 7-1	Thread Guide Holder		150185-0-01	Z-47-7 Thread Guide Holder
Z-39	Cushion Base (Right)		148290-0-01		Z-47- 7-2	Screw		017502-8-03	150145-0-01
Z-40	Screw		031451-6-03		Z-47- 7-3	Nut		021500-1-03	150145-0-01
Z-41	Machine Head Plate Sheet		148303-0-01		Z-47- 8-1	Thread Guide Stopper Bar		142996-0-01	Z-47-8 Thread Guide Stopper Bar 142971-0-01
Z-43	Cushion		147919-0-01		Z-47- 8-2	Screw		013719-4-12	
Z-44	Cushion		147919-0-02		Z-47- 9	Thread Guide 3		142997-0-01	
Z-45-1	Belt Cover			Z-45 Belt Cover Assembly 148348-0-01	Z-47-10	Spool Shaft (B)		150179-0-01	
Z-45-2	Belt Cover Stud		148042-0-01		Z-47-11	Spool Cushion		147060-0-01	Z-47 Cotton Stand Assembly 150160-0-01
Z-45-3	Washer		113431-0-02		Z-47-12	Spool Mat		150182-0-00	
Z-45-4	Screw		009681-0-12		Z-47-13	Spool Stand Base		150180-0-00	
Z-46-1	Eye Guard for Overlock		150550-0-00	Z-46 Eye Guard Assembly 151017-0-01	Z-47-14	Washer		028050-2-43	
Z-46-2	Washer		025030-2-32		Z-47-15	Nut		021500-1-03	
Z-46-3	Screw		009660-5-12		Z-47-16	Spool Holder Assembly		150175-0-01	
Z-47-1	Cap		150174-0-00	Z-47 Cotton Stand Assembly 150160-0-01	Z-47-17	Screw		017502-8-03	
Z-47-2	Thread Hanger Assembly		147056-0-01		Z-47-18-1	Cotton Stand Base		150189-0-01	Z-47-18 Cotton Stand Base Assembly 150139-0-01
Z-47-3	Washer		025050-2-33		Z-47-18-2	Screw		150181-0-01	
Z-47-4	Screw		017502-8-03		Z-47-19	Screw		031452-2-03	
Z-47-5	Pipe		150172-0-01		Z-47-20	Spool Holder Supporter A		150188-0-01	
Z-47-6-1	Joint		150173-0-01	Z-47-6 Joint for Cotton Stand 150106-0-01	Z-47-21	Screw		031452-2-03	
Z-47-6-2	Screw		150202-0-01		Z-47-22	Screw		007501-0-03	
Z-47-6-3	Nut		021500-1-03		Z-47-23	Nut		021500-1-03	

* The details of included accessories are subject to change.

* Les détails des accessoires inclus sont sujets à des changements.

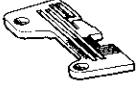
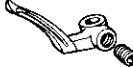
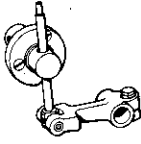

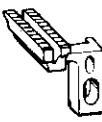
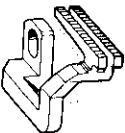
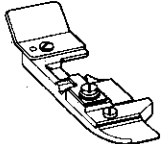
* Änderungen in der Aufstellung der mitgelieferten Zubehöre sind vorbehalten.

* Los detalles de los accesorios incluidos pueden variar.

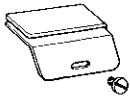
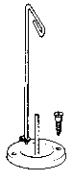
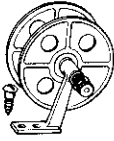
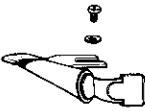

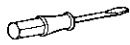
* The Belt Cover Assembly (Z-45) is special order parts.

DIFFERENT PARTS LIST

Sub Class	Specifications	Label		Oil Cap		Front Cover Assembly		Label		Threading Diagram		Needle DCX1	
			001-										
001-3 -4 -5	Thin, medium	A-13	146974-0-01 146974-0-02 146974-0-03									B- 4	112297-0-11
002-5 -6	Bulky knit	A-13	146974-0-04 146974-0-05	A-16	143196-0-01			A-23	147943-0-01	A-24	148091-0-01	B- 4	112297-0-14
003-3 -4	Blind-hemming	A-13	146974-0-07 146974-0-08			A-21	148982-0-01					B- 4	112297-0-09
005-4	Serging (Two threads)	A-13	146974-0-14							A-29	148092-0-01	B- 4	112297-0-14
007-2 -4	Curling	A-13	146974-0-57 146974-0-56	A-16	143196-0-01								
008-5	Ruffling	A-13	146974-0-19										
009-5	Ruffling (w/piping)	A-13	146974-0-20			A-30	148079-0-01	A-23	147943-0-01	A-24	148091-0-01	B- 4	112297-0-11
010-5	Taping	A-13	146974-0-21										
				A-16	143196-0-01	A-21	148982-0-01						
011-6	Bulky knit taping	A-13	146974-0-25									B- 4	112297-0-14

Sub Class	Needle Plate		Over Looper		Over Looper Assembly		Chain Feed Dog		Main Feed Dog		Differential Feed Dog		Presser Foot Assembly	
														
001-3 4 -5	B-15	146730-0-01 146731-0-01 146732-0-01	D-14	147934-0-01	D-15	148209-0-01	F-40	146577-0-01	F-42	146744-0-01	F-44	146748-0-01	G-31	146884-0-01
002-5 -6	B-24	146734-0-01 146735-0-01	D-20	147937-0-01	D-19	148217-0-01	F-50	148189-0-01	F-48	148187-0-01	F-49	146750-0-01	G-41	146898-0-01
003-3 -4	B-15	146730-0-01 146731-0-01	D-14	147934-0-01									G-42	146890-01
005-4	B-15	146731-0-01	D-21	147935-0-01			F-40	146577-0-01	F-42	146744-0-01	F-44	146748-0-01	G-32	146893-0-01
007-2 -4	B-25	148352-0-01 148314-0-01			D-15	148209-0-01							G-33	148311-1-01
008-5							F-50	148189-0-01	F-51	148188-0-01			G-43	144811-0-01
009-5	B-26	146737-0-01	D-14	147934-0-01							F-52	146751-0-01		
010-5	B-15	146732-0-01					F-40	146577-0-01	F-42	146744-0-01	F-44	146748-0-01	G-40	146895-0-01
011-6	B-24	146735-0-01	D-20	147937-0-01	D-19	148217-0-01	F-50	148189-0-01	F-48	148187-0-01	F-49	146750-0-01		

Sub Class	Needle Thread Take-up	Blind Hemming Ruler Assembly	Edge Guide Assembly	Tape Guide	Ruffler Interlocking Parts Assembly	Ruffling Attachment Assembly	Handle - Nut
001-3 -4 -5							
002-5 -6	J- 8	144108-0-01					
003-3 -4			K- 1 147710-0-01 K- 2 009670-6-12				
005-4	J-38	142201-0-01		L- 1 146761-0-01 L- 2 110201-0-01			
007-2 -4							
008-5							
009-5	J- 8	144108-0-01			N- 1 149252-0-02	N- 2 146587-0-01 N- 3 009781-8-12	N- 4 145809-0-01 N- 5 150556-0-02
010-5							
011-6				M- 1 146883-0-01 M- 2 009669-4-12			

Sub Class	Ruffler Guide 	Cotton Stand 	Tape Winder Assembly 	Wrapper Assembly 	Needle DC X 1 	Screw Driver 	
001-3 4 5	/	/	/	/	Z-19 112297-0-11	/	/
002-5 6	/	/	/	/	Z-19 112297-0-14	/	/
003-3 4	/	/	/	/	Z-19 112297-0-09	/	/
005-4	/	/	/	/	Z-19 112297-0-14	/	/
007-2 4	/	/	/	/		Z-37 148925-0-01	/
008-5	N- 6 144793-0-00 N- 7 112751-0-02	/	/	/	Z-19 112297-0-11	/	/
009-5		P- 1 181031-0-01	P- 2 143767-0-02 P- 3 101118-0-01	P- 4 147440-0-00 P- 5 110735-0-02 P- 6 009680-6-12		/	/
010-5	/	/	/	/		/	/
011-6	/	/	/	/	Z-19 112297-0-14	/	/

INDEX

Parts No.	Ref. No.	Parts No.	Ref. No.	Parts No.	Ref. No.	Parts No.	Ref. No.	Parts No.	Ref. No.	
001401-4-06	Z-34	013679-4-12	N- 2-28	100080-0-04	G-41- 5	112297-0-14	Z-18	144088-0-01	L- 1- 7	
001660-5-12	G-11	013719-4-12	D-15- 6	100080-0-04	G-42- 5	112297-0-16	B- 4	144091-0-01	G-43- 3	
001670-5-12	N- 2- 9		D-19- 6		G-43- 5		Z-18			G-44- 3
001670-6-14	K- 1- 2		Z-47- 8- 2		G-44- 5	112299-0-01	J- 4		144100-0-01	G-43- 6
005710-8-12	L- 1- 6	013760-6-12	A-71	100105-0-05	G-31- 9	112300-0-01	J- 3		G-44- 6	
007501-0-03	Z-47-22		E- 8- 2		G-32- 9	112301-0-01	J- 5	144103-0-02	J-15	
		013761-4-10	C-18		G-33- 9		N- 1-10- 2	144104-0-01	J-16	
009630-8-12	F-41	014680-4-22	A-55		G-40- 7	112436-0-01	H-12	144105-0-00	J-17	
009639-3-12	G-31- 3		D-14- 2		G-41- 7		Z-11		N- 2-18	
	G-32- 3		D-15- 3		G-43- 7	112751-0-02	N- 7	144108-0-01	J- 8	
	G-33- 3	D-19- 3		G-44- 7	112754-0-01	A-75	144110-0-01	J-26		
009660-4-12	J-10	D-20- 2	100136-0-01	P- 2- 7	113431-0-02	F-38	144124-0-01	Z- 5		
	K- 1- 1- 4	D-21- 2	100260-0-01	D-10		F-46	144127-0-01	E-17		
009660-5-12	Z-46- 3	E-16		H-10		Z-45- 3	144225-0-01	Z-16		
009660-7-12	N- 2- 3	017502-8-03	Z-47- 4	100366-0-01	B-10	113589-0-01	A-53	144764-0-01	N- 2- 8	
009669-4-12	B- 1- 7		Z-47-17		B-11- 3	114255-0-02	B- 6	144783-0-01	N- 2- 1	
	G- 9	017761-4-12	F- 8		B-11-10	114483-0-01	Z-30	144784-0-01	N- 2- 2	
	M- 2		F-14		F-19- 2	116016-0-01	Z-33	144788-0-01	N- 2-19	
009670-4-12	A-21- 4		F-20	100444-0-02	P- 1- 2	116231-0-01	F-10	144793-0-00	N- 6	
	A-30- 4	017761-6-12	B-11-11	100447-0-01	P- 1- 7		F-16	144811-0-01	G-43	
009670-5-12	D- 4		B-12	101118-0-01	P- 3	117160-0-01	A-18	144813-0-01	G-43- 2	
	D- 6	017771-4-12	F- 2	101572-1-01	Z- 8	117466-0-00	Z-10		G-44- 2	
	E- 4	017771-6-12	A-59	101706-0-01	A-74- 2	117515-0-01	H-13	145277-1-03	Z-31	
	E- 6		D- 2		N- 2- 6	117516-0-01	F-43	145446-0-01	J-14	
	G-30- 4		H-19		N- 2- 7 - 2		H-14	145774-0-01	G-40- 6	
009670-6-12	A- 6	018061-6-22	B-22	101706-0-03	F-34- 2	117608-0-01	B-19		G-41- 6	
	A-26	021400-1-06	Z-35	102627-0-01	H-20	118768-0-01	A-87	145803-0-01	N- 2- 4	
	A-47	021500-1-03	Z-47- 6- 3	102843-0-04	A-48	118837-0-01	Z- 6	145807-0-01	N- 2-26	
	A-49		Z-47- 7- 3		C- 9	122771-0-02	J-37	145808-0-01	N- 2-24	
	A-63		Z-47-15		C-11	122991-0-01	Z- 1	145809-0-01	N- 4	
	A-66		Z-47-23	104908-0-01	G-22	123185-0-01	A-20	145810-0-01	N- 2-14	
	A-68	021670-2-02	B-21	105163-0-01	N- 2-23	140041-0-01	A-46	145811-0-01	N- 2-10	
	A-85	021680-2-02	G-14	105234-0-03	N- 2-16	140065-0-01	F-1	146315-0-00	A-70	
	H-16		L- 1- 9	105248-0-03	J- 9	140066-0-01	B-14	146421-0-00	A-52	
	J- 2	025030-1-32	G-31- 6	105343-0-01	Z- 3		D- 7	146426-0-00	A- 8	
	J-24		G-32- 6	106120-0-02	A-86	140077-0-01	A-64	146427-0-01	A- 9	
	J-33		G-33- 6	106568-0-01	A- 2	140084-0-00	C-15		A-83	
	J-35		G-40- 4	107244-0-01	C-24	140085-0-03	C-16		B- 1- 3	
	K- 2		G-41- 4	107351-0-01	B-23	140092-0-01	B- 9		G- 6	
	N- 1- 3		G-42- 4	107407-0-03	A-22	140180-0-01	C-17	146440-0-01	A-21- 6	
009670-8-12	B- 1- 6		G-43- 4		F-39	140208-0-01	F-24		A-30- 6	
	C- 2		G-44- 4		F-47	140248-0-01	H-23	146441-0-00	A-21- 8	
	E-18	025030-2-32	K- 1- 1- 3		H- 6	140342-0-01	Z- 2		A-30- 8	
	J- 7		Z-46- 2		H-18	140504-0-01	G-10	146442-0-01	A-21- 2	
	J-31	025050-2-33	Z-47- 3	107779-0-01	Z- 4	140759-0-00	Z-17		A-30- 2	
009671-4-12	B-20	025680-2-32	Z-27	108494-0-01	P- 2- 5	140774-0-00	F-22	146446-0-01	A-19	
009679-3-12	K- 1- 6	025770-2-32	N- 2-20	108495-0-01	P- 2- 6	141183-0-00	A-73	146486-0-00	B- 3	
	L- 1- 3	028050-2-42	P- 1- 5	108809-0-01	D-18	141393-0-01	G-13	146547-0-00	F-33	
009680-6-12	N- 2-11	028050-2-43	Z-47-14	109203-0-01	A-58	141514-0-01	N- 1- 9	146549-0-01	F-31	
	P- 6	031311-3-02	Z-24	110161-0-03	P- 1- 6		N- 1-10- 5	146577-0-01	F-40	
009680-7-12	A-28	031451-6-03	Z-28	110161-0-06	N- 1- 7	141528-0-02	G- 4	146580-0-01	H- 1	
	A-77		Z-40	110201-0-01	L- 2	141542-0-01	Z-14	146581-0-01	D- 9	
	A-79		Z-47-19	110230-0-01	N- 2-15	142125-0-00	Z-15		H- 9	
	A-90		Z-47-21	110641-0-01	A-57	142201-0-01	J-38	146582-0-01	H-17	
	D-16	047140-8-42	A-21- 7	110670-0-00	C-19	142262-0-01	Z-36	146584-0-01	H-21	
	F-30		A-30- 7	110672-0-00	C-22	142669-0-02	J-36	146585-0-01	H-15	
	G-24	048030-3-42	K- 1- 8	110673-0-00	C-23	142674-0-00	F-21	146586-0-00	H-22	
	H-24	072600-0-00	C- 4	110735-0-02	P- 5	142971-0-01	Z-47- 8	146587-0-01	N- 2	
	K- 1-10	072600-1-00	C-13	110813-0-01	J-27	142996-0-01	Z-47- 8- 1	146588-0-01	N- 2-12	
009680-7-14	A-41		C-21	110820-0-01	J-12	142997-0-01	Z-47- 9	146589-0-01	N- 2- 5	
009680-8-12	N- 1-11	081002-6-70	G-20		N- 2-21	143311-0-01	C- 1	146590-0-01	N- 2-22	
	N- 2-27	100022-0-05	G-29	110832-0-01	J-13	143312-0-00	C- 3	146592-0-01	N- 2-29	
009681-0-12	C-20	100032-0-03	A- 4	111443-0-01	K- 1- 4	143374-0-01	A-72	146596-0-01	L- 1- 1	
	Z-45- 4		A-42	111486-0-01	B-17	143757-0-01	J- 6	146597-0-01	L- 1- 5	
009681-2-12	A-11		B-16			143767-0-02	P- 2	146598-0-01	L- 1- 4	
009681-4-12	J-20	100080-0-02	P- 1- 3	112297-0-09	B- 4	143980-0-01	P- 2- 1	146599-0-01	L- 1- 8	
009681-6-12	G-15	100080-0-04	G-31- 7		Z-18	144031-0-00	D-13	146617-0-01	E-12	
009761-0-12	N- 1- 5		G-32- 7	112297-0-11	B- 4	144049-0-01	E-15	146644-0-00	A-88	
009781-8-12	N- 3		G-33- 7		Z-18	144073-0-01	H- 5	146649-0-01	J-11	
			G-40- 5	112297-0-14	B- 4	144075-0-01	H- 4	146652-0-01	J-29	

Parts No.	Ref. No.	Parts No.	Ref. No.	Parts No.	Ref. No.	Parts No.	Ref. No.	Parts No.	Ref. No.
146653-0-01	J-30	147710-0-01	K- 1	148167-0-01	F- 3	148387-0-01	N- 1-12	151614-0-01	N- 1- 4
146654-0-01	J-32	147712-0-01	K- 1- 7	148168-0-00	F- 6	148388-0-01	N- 1-10- 4	152194-0-01	A-21- 3
146700-0-01	Z- 7	147713-0-01	K- 1- 5	148169-0-00	F-18	148389-0-01	N- 1-10- 1		A-30- 3
146713-0-01	A-17	147893-0-01	Z-32	148173-0-00	F-32- 3	148390-0-01	N- 1-10- 3	180323-0-01	E- 8
146730-0-01	B-15	147919-0-01	Z-43	148174-0-00	F-37	148395-0-01	N- 1-10	181031-0-01	P- 1
146731-0-01	B-15	147919-0-02	Z-44	148175-0-00	F-45	148403-0-01	F-28	181628-0-01	D- 1- 2
146732-0-01	B-15	147933-0-01	N- 2-13	148176-0-01	F-35	148404-0-01	F-27	181629-0-01	E- 1- 2
146734-0-01	B-24	147934-0-01	D-14	148177-0-01	F-13	148425-0-01	D- 1- 1- 3	181630-0-01	E- 1- 1
146735-0-01	B-24	147935-0-01	D-21	148178-0-01	F-15		E- 1- 1- 2	181631-0-01	D- 1- 1
146737-0-01	B-26	147937-0-01	D-20	148179-0-01	F- 7	148430-0-01	Z-23	181969-0-03	A-74
146744-0-01	F-42	147943-0-01	A-23	148180-0-01	F- 9	148431-0-01	Z-25	181995-0-01	F-34
146748-0-01	F-44	148042-0-01	Z-45- 2	148181-0-01	F- 4	148432-0-01	Z-26	181995-0-02	N- 2- 7
146750-0-01	F-49	148065-0-01	A-10	148182-0-01	F-17	148753-0-01	F-54		
146751-0-01	F-52	148066-0-00	A-12	148183-0-01	F- 5	148754-0-01	F-53	143196-0-01	A-16
146754-0-01	H-11	148067-0-01	A-40	148184-0-00	F-25	148782-0-01	E-14	153483-0-01	N-1-6
146759-0-01	K- 1- 9	148068-0-00	A-43	148185-0-01	F-26	148783-0-01	D-15-10	017502-8-03	Z-47-7-2
146760-0-01	K- 1-11	148069-0-01	A-82	148186-0-01	F-23		D-19-10		
146761-0-01	L- 1	148070-0-01	A-78	148187-0-01	F-48	148813-0-01	G-30- 3		
146762-0-01	L- 1- 2	148071-0-00	A-80	148188-0-01	F-51	148838-0-01	F-12		
146883-0-01	M- 1	148072-0-01	A-84	148189-0-01	F-50	148847-0-01	F-11		
146884-0-01	G-31	148073-0-01	A- 7	148196-0-00	H- 7	148857-0-01	B-11- 6		
146886-0-01	G-31- 4	148074-0-01	A-45	148197-0-00	H- 8		D- 1- 2- 2		
146887-0-01	G-31- 5	148075-0-00	A-44	148198-0-01	H- 3		E- 1- 2- 2		
	G-32- 5	148076-0-01	A-67		Z-12		F-36		
	G-33- 5	148077-0-01	A-69	148200-0-01	D- 1	148858-0-01	B-11		
	G-40- 3	148078-0-01	A-62	148204-0-01	D- 3	148859-0-00	A-81		
	G-41- 3	148079-0-01	A-30	148205-0-01	C-10	148925-0-01	Z-37		
	G-42- 3	148081-0-01	A-25	148206-0-01	D-11	148982-0-01	A-21		
146888-0-01	G-31- 2	148082-0-01	A- 3	148207-0-00	D- 8	148984-0-01	A-21- 5		
	G-32- 2	148083-0-01	A- 1	148208-0-01	D-12		A-30- 5		
	G-33- 2	148084-0-01	A-54	148209-0-01	D-15	149005-0-01	Z-29		
146889-0-01	G-31- 8	148085-0-01	A-56	148212-0-01	D-15- 8	149171-0-01	E-13		
	G-32- 8	148086-0-00	C- 5		D-19- 8	149172-0-01	D-15- 9		
	G-33- 8	148087-0-01	A-60	148213-1-01	D-15- 5		D-19- 9		
146890-0-01	G-42	148088-0-00	A-61		D-19- 5	149173-0-01	Z- 9		
146892-0-01	G-42- 2	148089-0-01	A-65	148217-0-01	D-19	149252-0-02	N- 1		
146893-0-01	G-32	148090-0-01	A-27	148220-0-01	E- 1	149253-0-01	N- 1- 8		
146894-0-01	G-32- 4	148091-0-01	A-24	148224-0-01	E- 3	149255-0-01	N- 1- 2		
146895-0-01	G-40	148092-0-01	A-29	148225-0-01	C- 8	149256-0-01	N- 1- 1		
146897-0-01	G-40- 2	148109-0-01	C- 6	148226-0-01	E- 9	149566-0-01	J-18- 1		
146898-0-01	G-41	148111-0-00	C-14	148227-0-00	E- 7		J-25- 1		
146900-0-01	G-41- 2	148112-0-00	C-12	148228-0-00	E-11		J-28- 1		
146924-0-00	A-17- 2	148117-0-01	B-11- 1	148229-0-01	E-10		N- 2-17		
146926-0-02	J-23		B-11- 9	148247-0-01	A-76	149568-0-02	J-25		
146929-0-01	J-34	148118-0-01	B-11- 2	148248-0-00	F- 2	149568-0-03	J-18		
146974-0-01	A-13	148120-0-00	B-13	148249-0-00	D-17	149568-0-04	J-28		
146974-0-02	A-13	148121-0-00	B- 8	148250-0-01	D- 5	150106-0-01	Z-47- 6		
146974-0-03	A-13	148122-0-01	B- 1- 5	148251-0-01	E- 5	150139-0-01	Z-47-18		
146974-0-04	A-13	148123-0-01	B- 5	148253-0-01	J-19	150145-0-01	Z-47- 7		
146974-0-05	A-13	148124-0-01	B-18	148254-0-01	J-22	150160-0-01	Z-47		
146974-0-07	A-13	148128-0-01	G-16	148258-0-01	Z-22	150172-0-01	Z-47- 5		
146974-0-08	A-13	148129-0-01	G-17	148259-0-01	Z-13	150173-0-01	Z-47- 6- 1		
146974-0-14	A-13	148130-0-01	G-18	148262-0-01	F-32	150174-0-00	Z-47- 1		
146974-0-19	A-13	148131-0-01	G-19	148269-0-01	B- 1	150175-0-01	Z-47-16		
146974-0-20	A-13	148133-0-01	G-19- 2	148270-0-01	B- 1- 4	150179-0-01	Z-47-10		
146974-0-21	A-13	148134-0-01	G-21	148271-0-01	B- 1- 2	150180-0-00	Z-47-13		
146974-0-25	A-13	148135-0-01	G-23	148281-0-01	H- 2	150181-0-01	Z-47-18- 2		
146974-0-56	A-13	148136-0-01	G-25	148290-0-01	Z-39	150182-0-00	Z-47-12		
146974-0-57	A-13	148137-0-01	G-27	148292-0-01	Z-38	150185-0-01	Z-47- 7- 1		
147049-0-02	J-25- 2	148138-0-01	G-26	148303-0-01	Z-41	150188-0-01	Z-47-20		
147049-0-03	J-18- 2	148139-0-01	G-28	148304-0-01	A- 5	150189-0-01	Z-47-18- 1		
147049-0-04	J-28- 2	148143-0-01	G- 3	148311-1-01	G-33	150202-0-01	Z-47- 6- 2		
147056-0-01	Z-47- 2	148144-0-01	G- 2	148313-0-01	G-33- 4	150339-0-01	K- 1- 1- 2		
147060-0-01	Z-47-11	148145-0-01	G- 1	148314-0-01	B-15	150382-0-01	D- 1- 1- 2		
147344-0-01	J- 1	148146-0-01	G- 5	148315-0-01	A-89	150550-0-00	Z-46- 1		
147433-0-01	G-44	148147-0-01	G- 7	148346-0-01	G-30	150553-0-02	N- 2-30		
147440-0-00	P- 4	148148-0-01	G- 8	148352-0-01	B-25	150556-0-02	N- 5		
147629-0-01	B- 2	148149-0-01	G-12	148354-0-01	B-25- 2	151017-0-01	Z-46		
147631-0-01	B- 2- 2	148163-0-01	F-19	148355-0-01	B-25- 3	151173-0-01	K- 1- 1		
147691-0-00	B- 7	148166-0-01	F-19- 3	148373-0-00	C- 7	151601-0-02	J-21		

