

Single Needle Lockstitch  
Industrial Sewing Machine  
高速一本針本縫ミシン

## DDL-1388



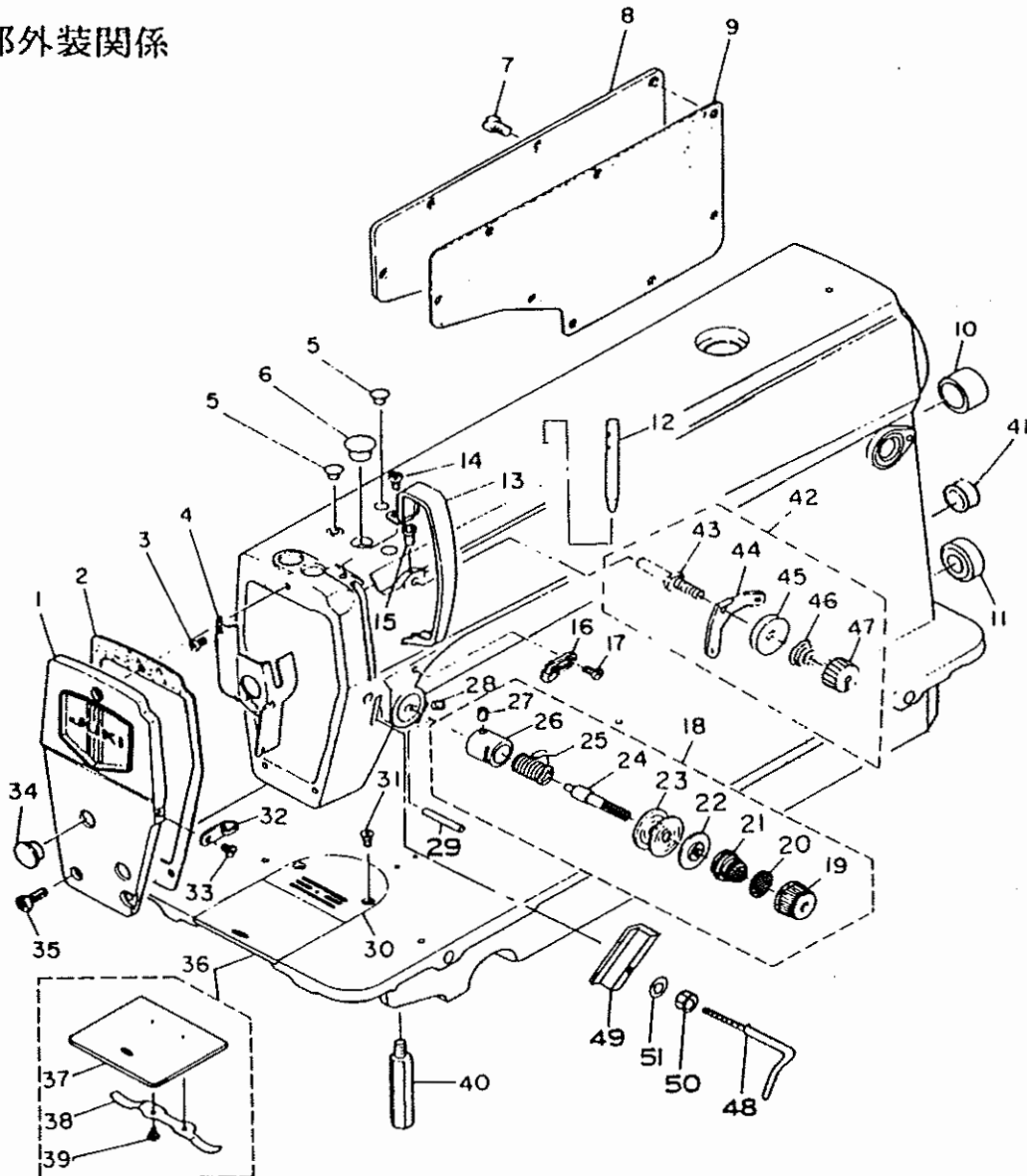
# PARTS LIST

29060902

No.0665-00

## 1. MACHINE FRAME & MISCELLANEOUS COVER COMPONENTS

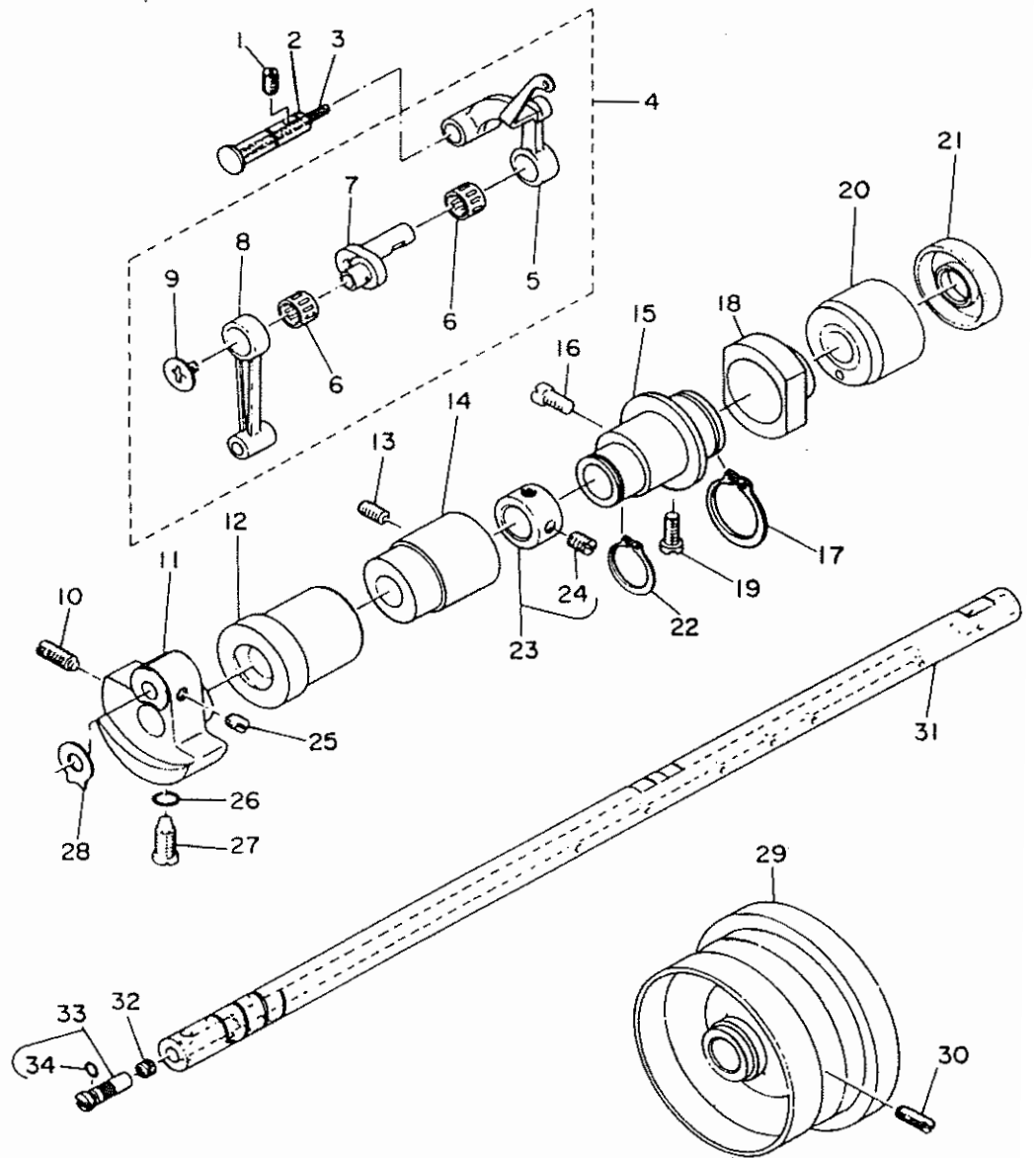
頭部外装関係



REF.NO.	NOTE	PART NO.	DESCRIPTION	AMT.
1		110-00254	FACE PLATE ASM.	1
2		110-00304	FACE PLATE GASKET	1
3		SS-6080320-SP	SCREW 1/8-44 L= 2.5	1
4		110-00858	ARM OIL SHIELD ASM.	1
5		TA-0850604-RO	RUBBER PLUG	2
6		TA-1250705-RO	RUBBER PLUG	1
7		SS-4120915-SP	SCREW	8
8		110-00510	SIDE PLATE	1
9		110-00619	GASKET	1
10		TA-2000502-RO	RUBBER PLUG	1
11		TA-2101002-RO	RUBBER PLUG	1
12		B1114-012-000	THREAD GUIDE PIN	1
13		110-00700	THREAD TAKE-UP LEVER COVER	1
14		SS-4120615-SP	SCREW 3/16-28 L=6	1
15		SS-4120615-SP	SCREW 3/16-28 L=6	1
16		110-91006	ARM THREAD GUIDE (HA)	1
17		110-01500	SCREW	1
18		110-92152	THREAD TENSION ASM	1
19		110-18900	TENSION NUT	(1)
20		B3120-125-000	TENSION DISC STOPPER	(1)
21		B3114-232-000	TENSION SPRING, NO.2	(1)
22		B3132-552-000	TENSION DISC HOLDER	(1)
23		B3126-012-000	TENSION DISC	(2)
24		B3115-552-000	TENSION POST	(1)
25		B3128-012-000	TAKE-UP SPRING	(1)
26		B3111-552-000	TENSION POST SOCKET	(1)
27		SS-8090670-SP	SCREW 9/64-40 L= 5.5	(1)
28		SS-8150710-SP	SCREW 15/64-28 L=7	1
29		B3118-552-000	THREAD RELEASE PIN	1
30		110-62007	THROAT PLATE	1
31		SS-2110920-TP	SCREW 11/64-40 L=8.5	2
32		110-18603	ARM THREAD GUIDE B	1
33		SS-6110610-TP	SCREW 11/64-40 L=6	1
34		TA-1250406-RO	RUBBER PLUG	2
35		SS-4120915-SP	SCREW	3
36		110-01658	BED SLIDE ASM.	1
37		B1110-012-000	SLIDE PLATE	(1)
38		110-01609	BED SLIDE SPRING	(1)
39		SS-6060210-SP	SCREW 3/32-56 L= 1.9	(2)
40		110-01104	BED SCREW STUD	4
41		TA-0950806-RO	RUBBER PLUG	1
42		110-45051	THREAD TENSION ASM.	1
43		110-45002	FIRST TENSION POST	(1)
44		110-45200	THREAD TENSION GUIDE	(1)
45		B3214-047-000	BOBBIN WINDER TENSION DISC	(2)
46		110-45101	THREAD TENSION SPRING	(1)
47		110-45309	THREAD TENSION NUT	(1)
48		113-05513	ARM THREAD GUIDE, C	1
49		114-03805	THREAD GUIDE C FITTING PLATE	1
50		NS-6090310-SP	NUT 9/64-40	1
51		WP-0371016-SD	WASHER 3.7X8X1	1

## 2. MAIN SHAFT & THREAD TAKE-UP LEVER COMPONENTS

上軸・天秤関係

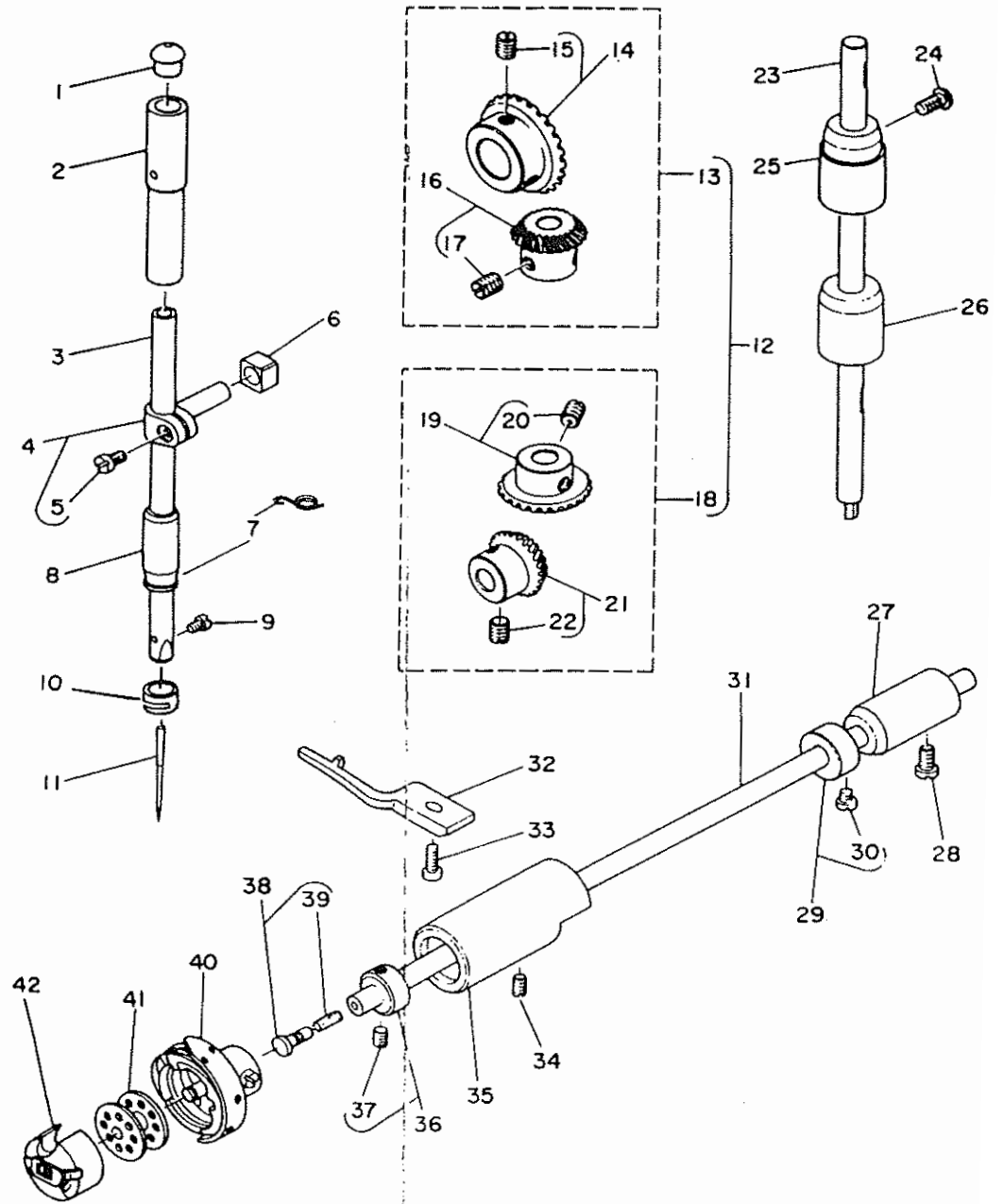


REF.NO.	NOTE	PART NO.	DESCRIPTION	AMT.
1		SS-8151150-SP	SCREW 15/64-28 L=10.5	1
2		110-17209	THREAD TAKE-UP CRANK SHAFT	1
3		CQ-3500000-FO	OIL FELT	0.1
4		110-62858	LINK THREAD TAKE-UP LEVER COMPL.	1
5		110-17068	LINK THREAD TAKE-UP LEVER ASM.	(1)
6	#01	B1905-541-B00	NEEDLE BEARING	(2)
7		110-62809	NEEDLE BAR CRANK	(1)
8		B1408-552-000	NEEDLE BAR CRANK ROD	(1)
9		B1903-552-000	END SCREW LEFT	(1)
10		SS-8681650-TP	SCREW 9/32-28 L=16	1
11		110-02102	COUNTERWEIGHT	1
12		110-52107	MAIN SHAFT FRONT BUSHING	1
13		SS-8150912-TH	SCREW	1
14		110-02300	BUSHING, INTERMEDIATE	1
15		110-50002	FEED CAM	1
16		SS-6661110-SP	SCREW 1/4-40 L=11	1
17		RC-2501211-KP	SNAP RING 25.0	1
18		110-50101	PITMAN SLEEVE	1
19		SS-6661110-SP	SCREW 1/4-40 L=11	1
20		110-02409	MAIN SHAFT BUSHING, REAR	1
21		110-02508	OIL SEAL	1
22		RC-1850001-KP	SNAP RING 18.5	1
23		CS-147121A-SH	THRUST COLLAR ASM. D=14.72 W=12	1
24		SS-8660610-TP	SCREW 1/4-40 L=6	(2)
25		SS-8660610-TP	SCREW 1/4-40 L=6	2
26		RO-0442401-00	RUBBER RING	1
27		SS-7681650-TP	SCREW 9/32-28 L=16	1
28		B1212-552-A00	COUNTERWEIGHT PROTECTING PLATE	1
29		110-02607	HAND WHEEL	1
30		SS-8151550-SP	SCREW 15/64-28 L=15	2
31		110-02003	MAIN SHAFT	1
32		110-02904	ROLLER FELT	1
33		B1213-552-OA0-A	OIL AMOUNT ADJUSTING PIN ASM.	1
34		RO-0291801-00	RUBBER RING	(1)

Note(注記) #01.....Selective part

### 3. NEEDLE BAR & HOOK DRIVING SHAFT COMPONENTS

#### 針棒・下軸関係



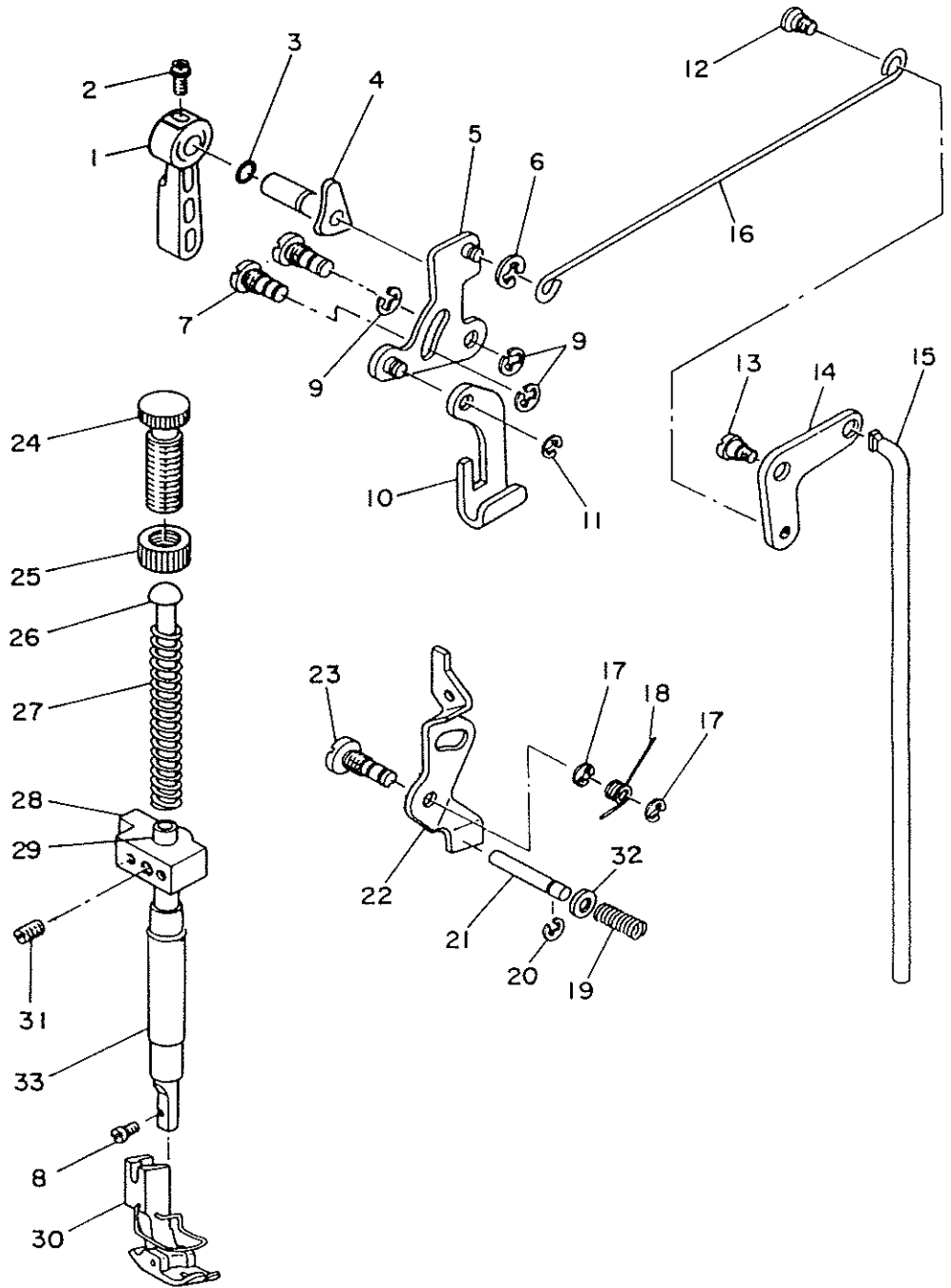
REF.NO.	NOTE	PART NO.	DESCRIPTION	AMT.
1		B1405-012-000	CAP	1
2		B1402-552-000-A	NEEDLE BAR BUSHING, UPPER	1
3		110-91303	NEEDLE BAR	1
4		B1411-552-0A0	NEEDLE BAR CONNECTION ASM.	1
5		SS-6090670-TP	SCREW 9/64-40 L=6	(1)
6		B1414-555-000	SLIDE BLOCK	1
7		B1419-553-000	NEEDLE BAR THREAD GUIDE	1
8		B1403-553-000	NEEDLE BAR BUSHING, LOWER	1
9		SS-7080510-TP	SCREW 1/8-44 L=4.5	1
10		110-63005	NEEDLE THREAD GUIDE	1
11		MDB-100B2100	NEEDLE DBX1 #21	1
12		B1306-155-0C0	GEAR & PINION ASM.	1
13		B1306-155-0B0	GEAR & PINION ASM., UPPER	(1)
14		B1305-012-0A0	GEAR ASM.	(1)
15		SS-8660810-TP	SCREW	(2)
16		B1306-155-0A0	PINION ASM.	(1)
17		SS-8660810-TP	SCREW	(2)
18		B1307-155-0B0	GEAR & PINION ASM., LOWER	(1)
19		B1307-155-0A0	GEAR ASM. LARGE	(1)
20		SS-8660810-TP	SCREW	(2)
21		B1308-155-0A0	PINION ASM.	(1)
22		SS-8660810-TP	SCREW	(2)
23		110-04009	UPRIGHT SHAFT	1
24		SS-4120915-SP	SCREW	1
25		110-04108	BUSHING, UPPER	1
26		110-04207	UPRIGHT SHAFT BUSHING, LOWER	1
27		110-15203	BUSHING, REAR	1
28		SS-4120915-SP	SCREW	1
29		CS-079101A-SH	THRUST COLLAR ASM. D=7.94 W=10	1
30		SS-6110420-TP	SCREW 11/64-40 L=4.8	(2)
31		110-15005	HOOK DRIVING SHAFT	1
32		110-15609	POSITIONING FINGER	1
33		SS-6111010-SP	SCREW 11/64-40 L= 9.5	1
34		SS-8150432-TH	SCREW	1
35		110-15104	BUSHING ASM., FRONT	1
36		CS-079073A-SH	THRUST COLLAR	1
37		SS-8110410-TP	SCREW 11/64-40 L= 3.5	(2)
38		B1808-552-0A0	OIL SEAL SCREW ASM.	1
39		B1810-552-000	OIL WICK	(1)
40		110-62759	OIL HOOK ASM.	1
41		B9117-012-000	BOBBIN	1
42		B1837-012-0A0	BOBBIN CASE ASM.	1

6

1

# 4. HAND LIFTER COMPONENTS

押さえ上げ関係

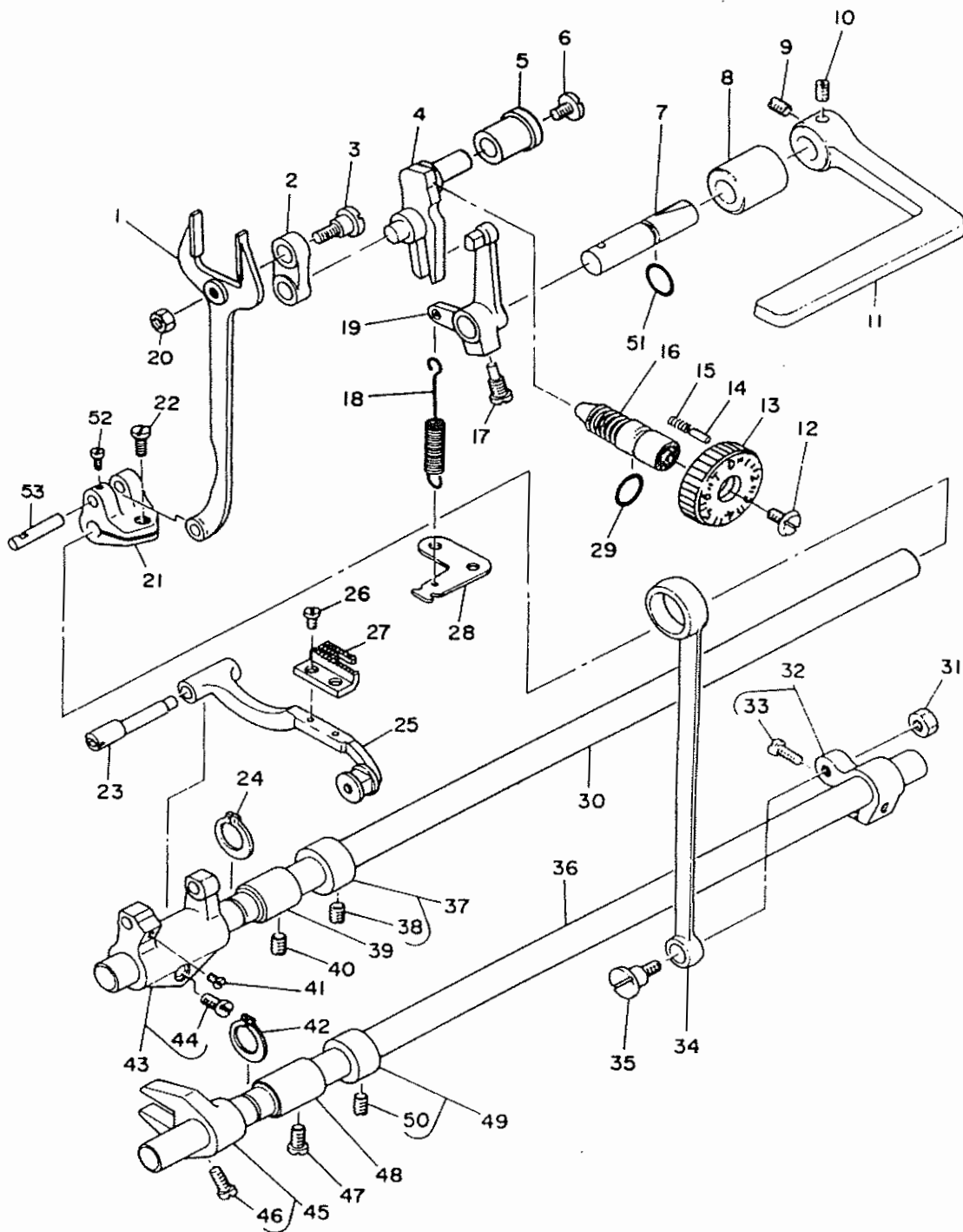


REF.NO.	NOTE	PART NO.	DESCRIPTION	AMT.
1		B1520-552-000-A	HAND LIFTER	1
2		B1521-555-000	SCREW	1
3		RO-0371801-00	RUBBER RING	1
4		110-06756	HAND LIFTER CAM ASM.	1
5		110-06350	HAND LIFTER LINK	1
6		RE-0500000-K0	E-RING	1
7		110-06509	LINK SHAFT	2
8		SS-7091110-SP	SCREW 9/64-40 L=10.5	1
9		RE-0500000-K0	E-RING	3
10		110-06202	LIFTING LEVER	1
11		110-07309	LIFTING LEVER RING	1
12		110-07101	HINGE SCREW	1
13		SD-0720332-SP	HINGE SCREW D= 7.24 H= 3.3	1
14		110-07002	LIFTING LEVER LINK	1
15		110-07200	CONNECTING ROD VERTICAL	1
16		110-06905	LIFTING LEVER CONNECTING ROD	1
17		RE-0500000-K0	E-RING	2
18		110-18207	TENSION RELEASE RETURN SPRING	1
19		110-18405	TENSION RELEASE PIN SPRING	1
20		RE-0400000-K0	E-SHAPED SNAP RING (4MM)	1
21		110-18306	TENSION RELEASE SUPPORTING PIN	1
22		110-18009	TENSION RELEASE PLATE	1
23		110-18108	TENSION RELEASE SHAFT	1
24		B1509-555-000	PRESSER SPRING REGULATOR	1
25		B1511-555-000	NUT 1/2-28	1
26		B1510-227-000	PRESSER GUIDE BAR	1
27		B1505-552-000-A	PRESSER SPRING	1
28		110-06004	NEEDLE BAR GUIDE BRACKET	1
29		B1501-127-000	PRESSER BAR	1
30		D1524-126-WB0	TEFLON PRESSER FOOT ASM.	1
31		SS-8660810-TP	SCREW	1
32		110-19007	WASHER PLATE	1
33		B1502-541-000	PRESSER BAR BUSHING, LOWER	1



# 5. FEED MECHANISM COMPONENTS

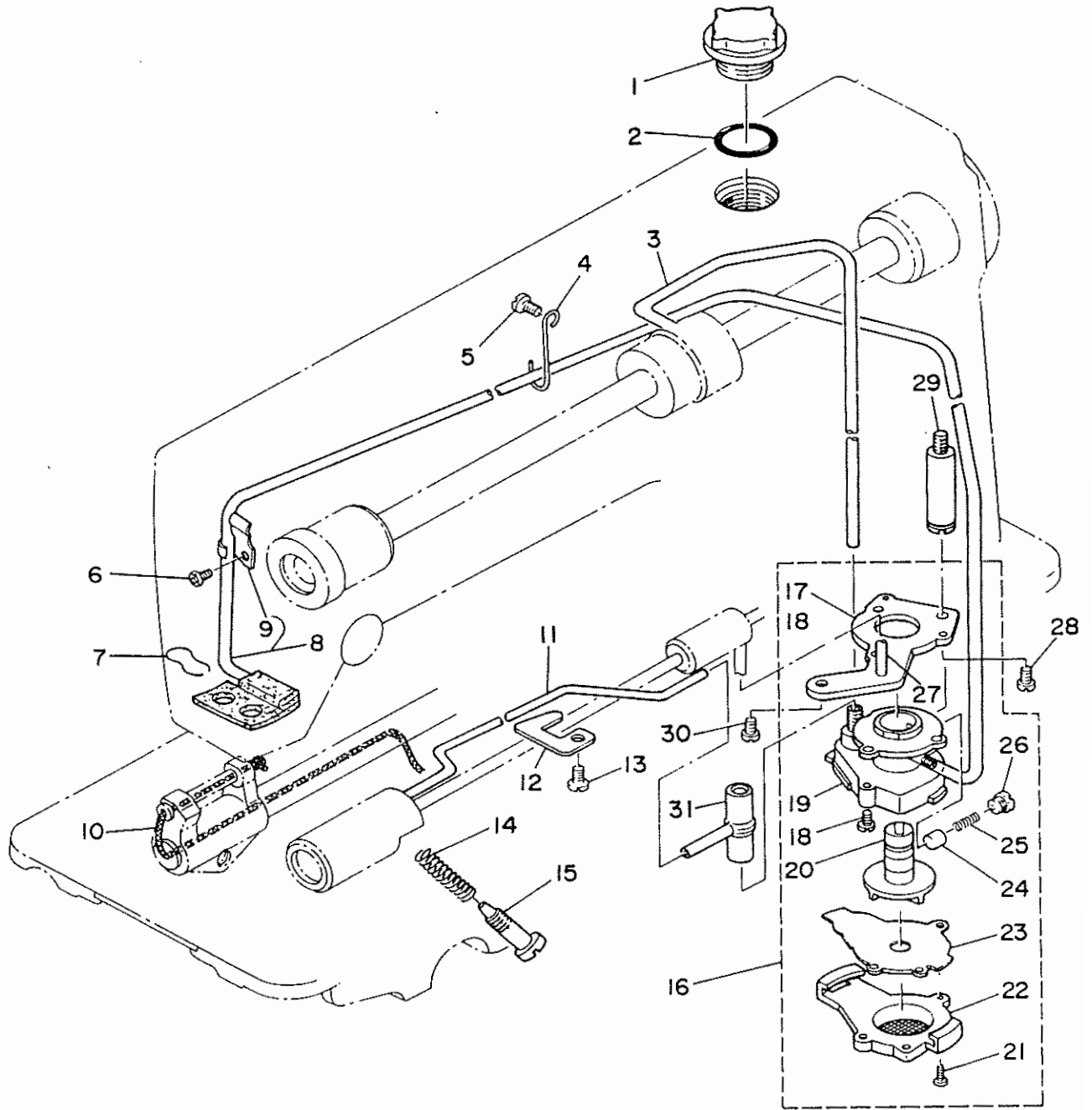
送り関係



REF.NO.	NOTE	PART NO.	DESCRIPTION	AMT.
1		110-60001	PITMAN, L	1
2		110-50309	PITMAN LINK	1
3		SD-1000801-SH	HINGE SCREW	1
4		110-62304	FEED REGULATOR	1
5		110-09800	FEED REGULATOR BUSHING	1
6		SS-7120770-SH	SCREW	1
7		110-10501	FEED REVERSE SHAFT	1
8		110-10709	FEED LEVER METAL	1
9		SS-8660810-TP	SCREW	1
10		SS-8661040-TP	SCREW 1/4-40 L=10	1
11		110-10600	REVERSE FEED CONTROL LEVER	1
12		SS-6121860-SP	SCREW	1
13		110-60704	FEED DIAL	1
14		110-52701	PIN	1
15		B1148-555-000	SPRING	1
16		110-09909	FEED REGULATOR SCREW	1
17		110-10402	FEED REVERSE ARM SCREW	1
18		110-60506	LEVER RETURN SPRING	1
19		110-50655	LEVER CRANK ASM.	1
20		NS-6680410-SP	NUT 9/32-28	1
21		110-60100	FEED ROCK SHAFT CRANK	1
22		SS-6121210-SP	SCREW 3/16-28 L=12	(1)
23		110-37207	FEED BAR SHAFT	1
24		RC-0150001-KP	RETAINING RING 13.8	1
25		110-62551	FEED BASE ASM.	1
26		SS-4080620-TP	SCREW 1/8-44 L=6	2
27		110-62601	FEED DOG	1
28		110-11301	FEED SPRING HOOK	1
29		RO-0922702-00	RUBBER RING	1
30		110-10808	FEED ROCKER SHAFT	1
31		NS-6680410-SP	NUT 9/32-28	1
32		110-14156	REAR CRANK ASM.	1
33		SS-6121210-SP	SCREW 3/16-28 L=12	(1)
34		110-14008	CONNECTING ROD	1
35		SD-1000801-SH	HINGE SCREW	1
36		110-14208	FEED DRIVING SHAFT	1
37		CS-147121A-SH	THRUST COLLAR ASM. D=14.72 W=12	1
38		SS-8660610-TP	SCREW 1/4-40 L=6	(2)
39		110-10907	FEED ROCKER SHAFT BUSHING	1
40		SS-8150432-TH	SCREW	1
41		SS-7110740-TP	SCREW 11/64-40 L=7	1
42		RC-0150001-KP	RETAINING RING 13.8	1
43		110-37108	FEED BAR CRANK	1
44		SS-7121410-SP	SCREW 3/16-28 L=14	(1)
45		110-14354	DRIVING SHAFT CRANK ASM.,FRONT	1
46		SS-7111120-SP	SCREW 11/64-40 L=10.5	(1)
47		SS-4120915-SP	SCREW	1
48		110-10907	FEED ROCKER SHAFT BUSHING	1
49		CS-147121A-SH	THRUST COLLAR ASM. D=14.72 W=12	1
50		SS-8660610-TP	SCREW 1/4-40 L=6	(2)
51		RO-0781901-00	RUBBER RING	1
52		SS-7110910-SP	SCREW	1
53		B1607-560-000	FEED ROCKER SHAFT CRANK PIN	1

6. OIL LUBRICATION COMPONENTS

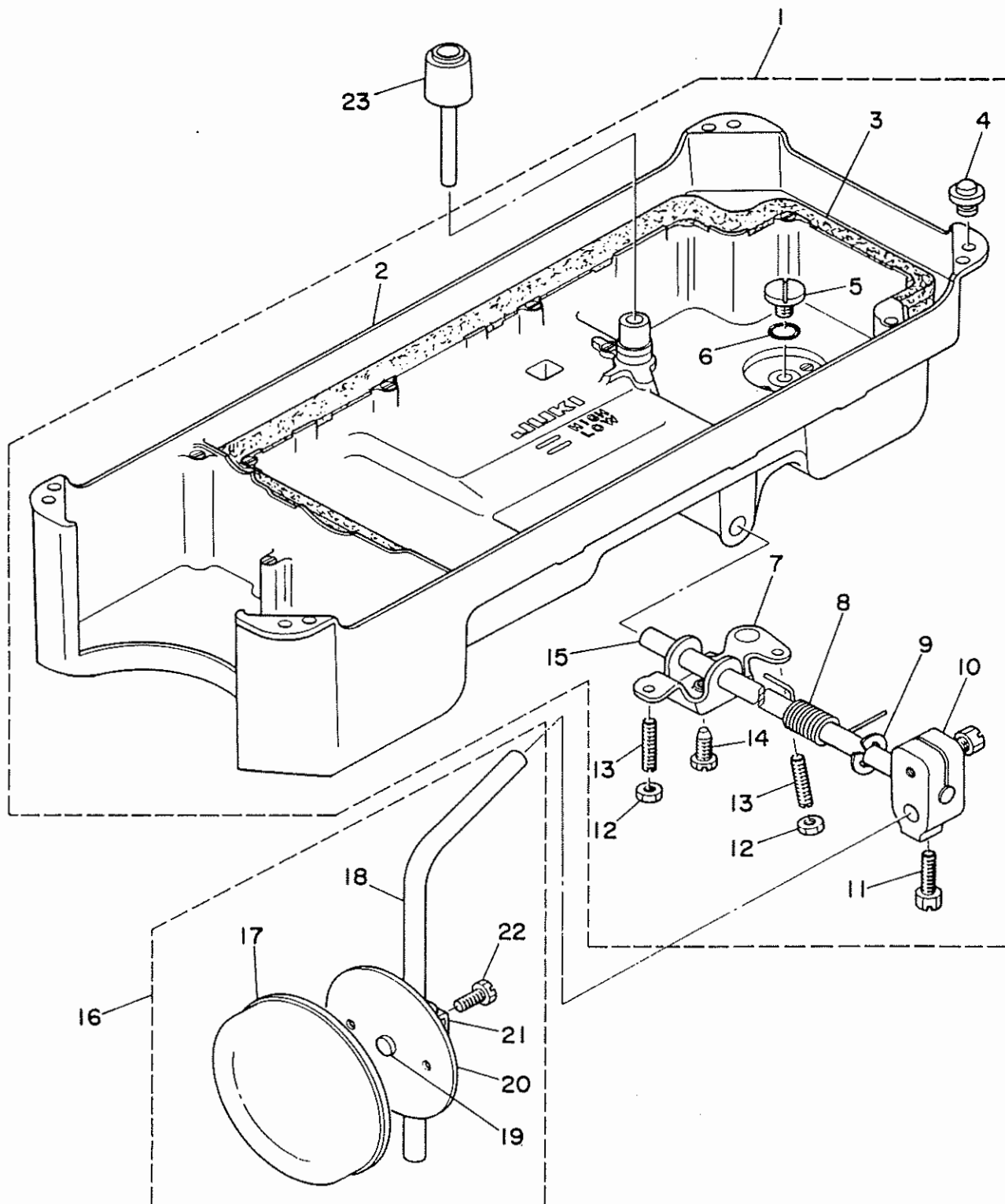
給油関係



REF.NO.	NOTE	PART NO.	D E S C R I P T I O N	AMT.
1		B3530-555-000	OIL SIGHT WINDOW	1
2		RO-1952401-00	RUBBER RING	1
3		110-21201	MAIN SHAFT OIL TUBE	1
4		110-21607	TUBE HOLDER (UPPER)	1
5		SS-4120615-SP	SCREW 3/16-28 L=6	1
6		SS-4120615-SP	SCREW 3/16-28 L=6	1
7		B3529-226-000	OIL FELT PRESSER	1
8		110-21151	OIL RETURN TUBE ASM.	1
9		110-21805	OIL RETURN TUBE HOLDER	(1)
10		CQ-2520000-00	OIL WICK	0.3
11		110-21300	OIL TUBE	1
12		110-21706	TUBE HOLDER (LOWER)	1
13		SS-4150915-SP	SCREW 15/64-28 L=9	1
14		B2816-372-000	SPRING	1
15		B3514-412-000	OIL ADJUSTING SCREW	1
16		110-20054	LUBRICATING OIL PUMP ASM.	1
17		110-20302	OIL PUMP INSTALLING BASE	(1)
18		SL-4030851-SF	SCREW	(3)
19		110-20005	OIL PUMP	(1)
20		110-20708	OIL PUMP IMPELLER	(1)
21		SE-4301041-SR	SCREW	(3)
22		110-20203	LUBRICATING OIL PUMP COVER	(1)
23		110-20807	OIL PUMP IMPELLER COVER	(1)
24		110-20401	PLUNGER	(1)
25		110-20609	PLUNGER SPRING	(1)
26		110-20500	PLUNGER SCREW	(1)
27		110-20906	HOOK DRIVING SHAFT OIL TUBE	(1)
28		SS-6111010-SP	SCREW 11/64-40 L= 9.5	1
29		110-21003	OIL PUMP SUPPORT	1
30		SS-4150915-SP	SCREW 15/64-28 L=9	1
31		110-21409	RUBBER JOINT	1

# 7. OIL RESERVOIR COMPONENTS

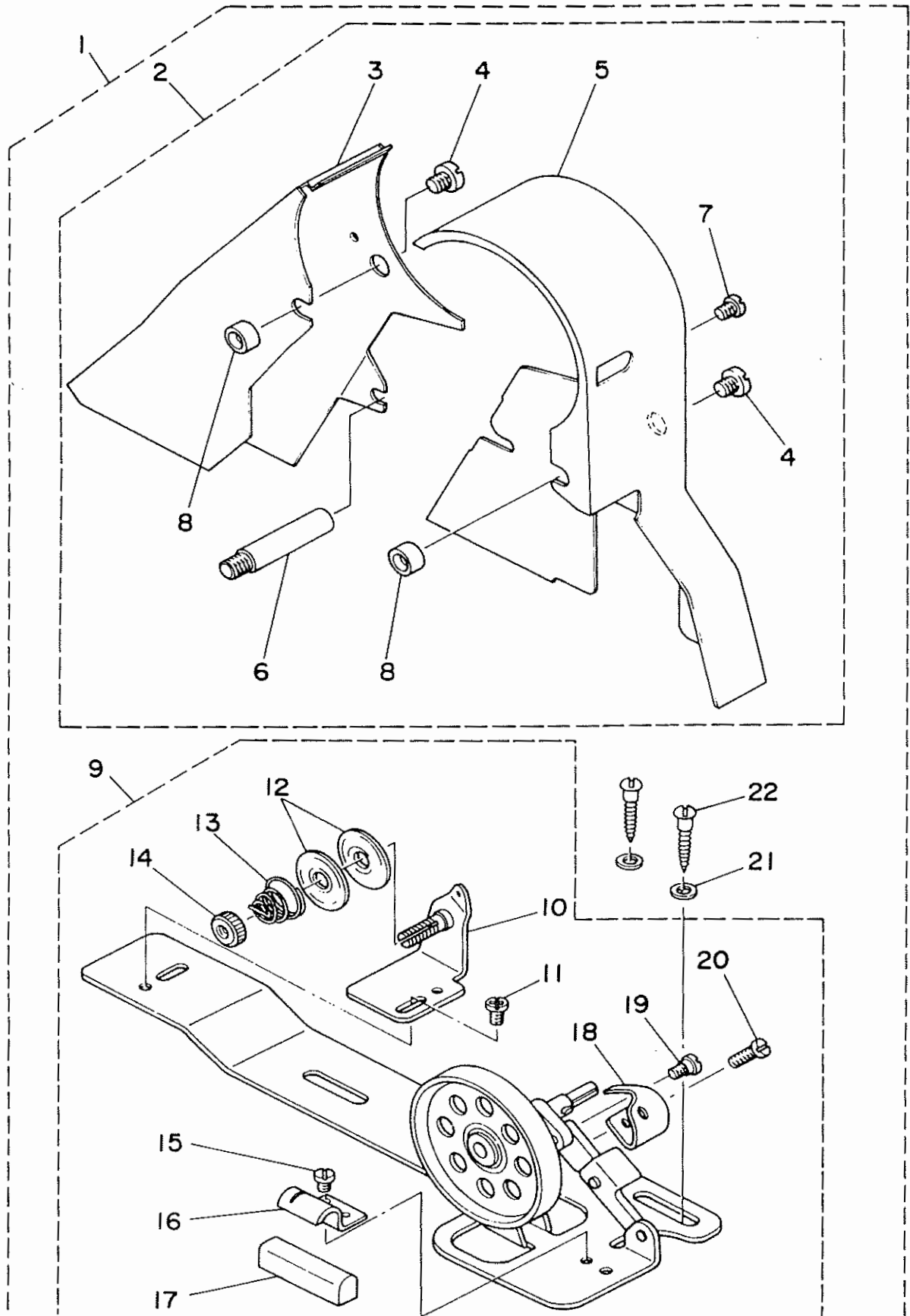
油溜関係



REF. NO.	NOTE	PART NO.	DESCRIPTION	AMT.
1		110-47057	OIL RESERVOIR ASM.	1
2		110-23009	OIL RESERVOIR	(1)
3		110-23108	GASKET	(1)
4		110-47107	RUBBER CUSHION	(4)
5		SS-6700710-SH	SCREW	(1)
6		RO-0982401-00	RUBBER RING	(1)
7		110-24007	CONNECTING ROD, VERTICAL	(1)
8		110-24106	SPRING	(1)
9		RE-1000000-KO	E-RING	(1)
10		110-24502	KNEE PRESS LOD BEARING BRACKET	(1)
11		SS-9182010-SN	SCREW 9/32-20 L=20	(2)
12		NS-6150430-SR	NUT 15/64-28	(2)
13		SS-8153010-SR	SCREW 15/64-28 L=30	(2)
14		SS-9151610-SR	SCREW 15/64-28 L=16	(1)
15		110-24205	KNEE PRESS ROD	(1)
16		110-23751	KNEE PRESS PLATE ASM.	1
17		B3431-552-000-A	KNEE PRESS PLATE COVER	(1)
18		B3419-122-000	KNEE LIFTER PLATE ROD	(1)
19		110-24403	RUBBER	(1)
20		110-23702	KNEE PRESS PLATE	(1)
21		110-23801	KNEE PRESS PLATE HOLDER	(1)
22		SS-9151540-SR	SCREW 15/64-28 L=15	(1)
23		110-24304	KNEE PRESS LIFTER ROD	1

# 8. BELT COVER & BOBBIN WINDER COMPONENTS

ベルトカバー・糸巻関係



REF.NO.	NOTE	PART NO.	DESCRIPTION	AMT.
1		110-23363	BELT COVER ASM.	1
2		110-23355	BELT COVER ASM.	(1)
3		110-23306	BELT COVER A	(1)
4		SS-7701010-SP	SCREW 5/16-24 L=10	(2)
5		110-23405	BELT COVER B	(1)
6		110-23504	BELT COVER SUPPORT	(1)
7		SS-7120640-SP	SCREW 3/16-28 L=6	(1)
8		110-23603	BELT COVER COLLAR	(2)
9		D3201-555-DAO	BOBBIN WINDER ASM.	(1)
10		D3213-555-DAO	THREAD TENSION BRACKET ASM.	(1)
11		SS-4110515-SP	SCREW 11/64-40 L=5	(1)
12		B3126-012-000	TENSION DISC	(2)
13		B3129-012-B00	TENSION SPRING B	(1)
14		B3125-012-000	THREAD TENSION STUD NUT	(1)
15		SS-7110350-SP	SCREW 11/64-40 L=3	(1)
16		B3212-555-000	PRESSER PLATE	(1)
17		B3211-555-000	RUBBER BRAKE	(1)
18		B3209-555-000	POSITIONING FINGER	(1)
19		SD-0490261-SP	HINGE SCREW D=4.9 H=2.6	(1)
20		SS-7081310-SP	SCREW 1/8-44 L=12.5	(1)
21		WP-0501016-SD	WASHER 5X10.5X1	(2)
22		SK-3482500-SC	WOOD SCREW D=4.8 L=25	(2)

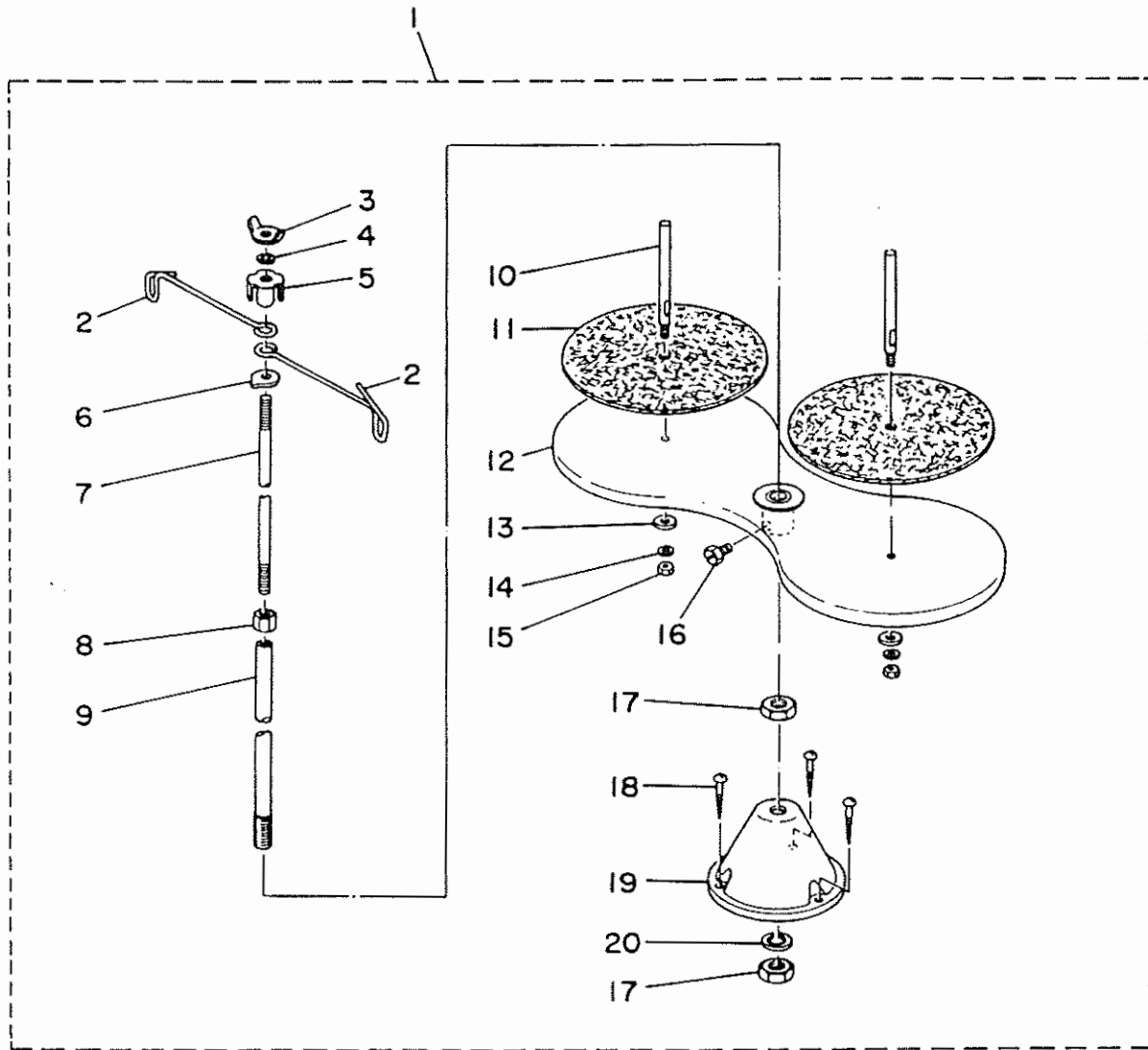
16

JUKI CORP  
HEAD OFFICE  
2-1, 8-CHOME,  
CHOFU-CITY, T



9. THREAD STAND COMPONENTS

糸立装置関係



REF.NO.	NOTE	PART NO.	D E S C R I P T I O N	AMT.
1		111-81054	THREAD STAND ASM.	1
2		B3307-012-000	THREAD GUIDE	(2)
3		B3310-012-000	POSITION CUP SET SCREW	(1)
4		WS-0641560-KR	SPRING WASHER 6.4X11.9X1.5	(1)
5		B3309-012-000	POSITION CUP	(1)
6		B3308-012-000	ROD WASHER	(1)
7		B3306-012-000	SPOOL ROD	(1)
8		NM-6061061-SE	NUT M6	(1)
9		B3302-012-000	SPOOL REST ROD	(1)
10		B3320-704-1.00-A	SPOOL PIN	(2)
11		B3311-012-000	SPOOL REST CUSHION	(2)
12		111-81153	SPOOL REST ASM.	(1)
13		WP-0560860-SE	WASHER 5.6X12X0.8	(2)
14		WS-0531060-KR	SPRING WASHER 5.3X8.3X1	(2)
15		NS-6123881-SE	NUT 3/16-28	(2)
16		SM-9061080-SE	SCREW M6 L=10	(1)
17		NM-6100663-SE	NUT M10	(2)
18		SK-3452000-SE	WOOD SCREW D=4.5 L=20	(3)
19		111-81005	THREAD STAND	(1)
20		WS-1002560-KR	SPRING WASHER 10X18X2.5	(1)

18