

2-Needle, Lockstitch Machine

二本針本縫いミシン

LH-3528 LH-3528-7

LH-3568 LH-3568-7

LH-3578 LH-3578-7 ✓

LH-3588 LH-3588-7 ✓

PARTS LIST

牙6設計 横山^内(3140)

校了	07年
	6月20日

CONTENTS

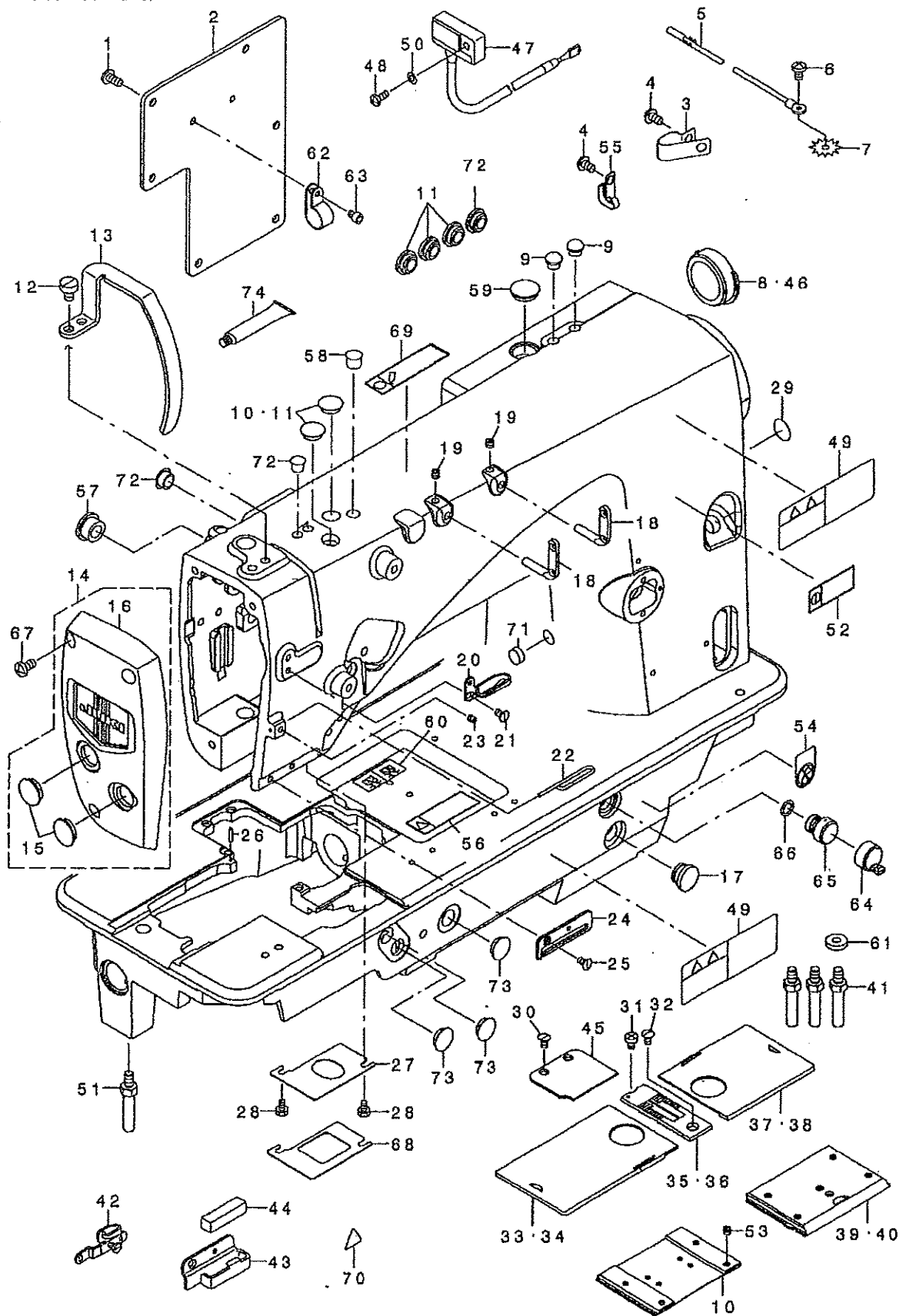
目 次

1. FRAME & MISCELLANEOUS COVER COMPONENTS	1
頭部・外装関係	
2. MAIN SHAFT & THREAD TAKE-UP COMPONENTS	3
上軸・天秤関係	
3. NEEDLE BAR COMPONENTS (1) (FOR LH-3528,3528-7,3578,3578-7)	5
針棒関係 (1) (LH-3528,3528-7,3578,3578-7用)	
4. NEEDLE BAR COMPONENTS (2) (FOR LH-3568,3568-7,3588,3588-7)	7
針棒関係 (2) (LH-3568,3568-7,3588,3588-7用)	
5. TENSION POST COMPONENTS (1) (FOR LH-3528,3528-7,3578,3578-7)	9
糸調子関係 (1) (LH-3528,3528-7,3578,3578-7用)	
6. TENSION POST COMPONENTS (2) (FOR LH-3568,3568-7,3588,3588-7)	11
糸調子関係 (2) (LH-3568,3568-7,3588,3588-7用)	
7. HOOK & HOOK DRIVING SHAFT COMPONENTS (1) (FOR LH-3528,3528-7,3568,3568-7)	13
釜・下軸関係 (1) (LH-3528,3528-7,3568,3568-7用)	
8. HOOK & HOOK DRIVING SHAFT COMPONENTS (2) (FOR LH-3578,3578-7,3588,3588-7)	15
釜・下軸関係 (2) (LH-3578,3578-7,3588,3588-7用)	
9. HOOK & HOOK DRIVING SHAFT COMPONENTS (3)	17
釜・下軸関係 (3)	
10. FEED MECHANISM COMPONENTS	19
送り関係	
11. PRESSER BAR & TENSION RELEASE COMPONENTS	21
押さえ棒・糸ゆるめ関係	
12. THREAD TRIMMER MECHANISM COMPONENTS (FOR LH-3528-7,3568-7,3578-7,3588-7)	23
糸切り装置関係 (LH-3528-7,3568-7,3578-7,3588-7用)	
13. AUTOMATIC REVERSE FEED MECHANISM COMPONENTS	25
自動逆送り関係	
14. WIPER MECHANISM COMPONENTS (FOR LH-3528-7,3568-7,3578-7,3588-7)	26
ワイパー装置関係 (LH-3528-7,3568-7,3578-7,3588-7用)	
15. LUBRICATION COMPONENTS	27
給油関係	
16. BELT COVER & BOBBIN WINDER COMPONENTS	29
ベルトカバー・糸巻き装置関係	
17. BOTTOM COVER COMPONENTS	31
ボトムカバー関係	
18. AK DEVICE COMPONENTS	32
A K装置関係	
19. THREAD STAND COMPONENTS	33
糸立装置関係	

20. ACCESSORIE PARTS COMPONENTS	35
付属品関係	
21. TABLE OF EXCHANGING GAUGE PARTS (1)(FOR LH-3528)	37
交換ゲージ部品一覧表 (1) (LH-3528用)	
22. TABLE OF EXCHANGING GAUGE PARTS (2)(FOR LH-3528)	38
交換ゲージ部品一覧表 (2) (LH-3528用)	
23. TABLE OF EXCHANGING GAUGE PARTS (FOR LH-3528-7)	39
交換ゲージ部品一覧表 (LH-3528-7用)	
24. TABLE OF EXCHANGING GAUGE PARTS (FOR LH-3568)	40
交換ゲージ部品一覧表 (LH-3568用)	
25. TABLE OF EXCHANGING GAUGE PARTS (FOR LH-3568-7)	41
交換ゲージ部品一覧表 (LH-3568-7用)	
26. TABLE OF EXCHANGING GAUGE PARTS (FOR LH-3578)	42
交換ゲージ部品一覧表 (LH-3578用)	
27. TABLE OF EXCHANGING GAUGE PARTS (FOR LH-3578-7)	43
交換ゲージ部品一覧表 (LH-3578-7用)	
28. TABLE OF EXCHANGING GAUGE PARTS (FOR LH-3588)	44
交換ゲージ部品一覧表 (LH-3588用)	
29. TABLE OF EXCHANGING GAUGE PARTS (FOR LH-3588-7)	45
交換ゲージ部品一覧表 (LH-3588-7用)	
NUMERICAL INDEX OF PARTS	46
索引	

1. FRAME & MISCELLANEOUS COVER COMPONENTS

頭部・外装関係



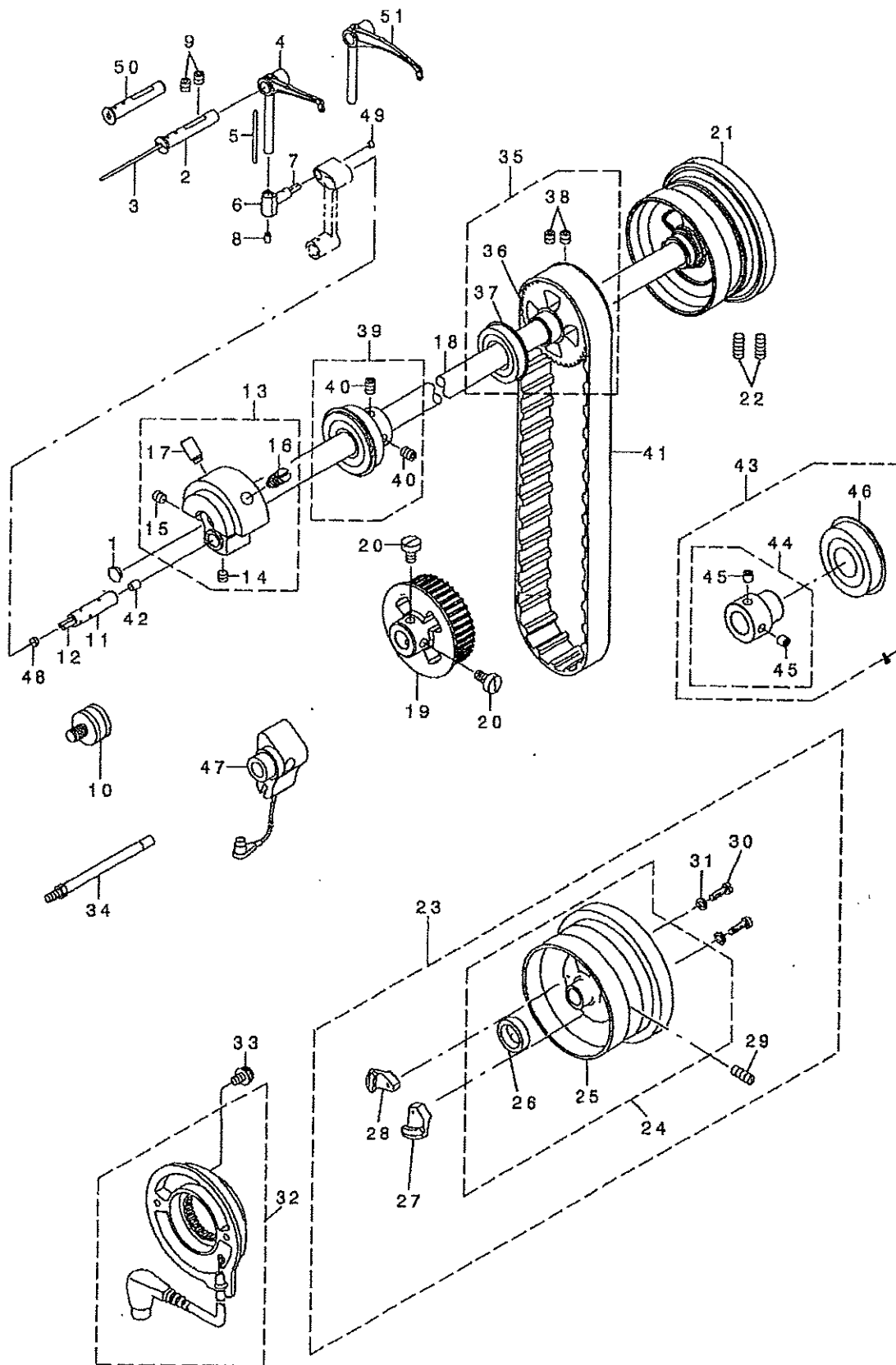
REF. NO	NOTE	PART NO.	DESCRIPTION	Qty
1		SM-4051455-SP	SCREW M5 L=14	6
2		400-28766	REAR PLATE	1
3	#08	DZ112-655-800	CORD HOLDER, LARGE	3
4	#08	SM-4050855-SP	SCREW	4
5	#08	236-01057	EARTH CORD ASM.	1
6	#08	SM-4050855-SP	SCREW	1
7	#08	WT-0530002-KS	TOOTHED WASHER D=5.3	1
8	#01	226-19100-	CAP	1
9	#01	TA-0800504-RO	PLUG D=8 L=4.5	2
10	#07	232-06709	BED SLIDE (FRONT)A	1
11		TA-1250400-RO	RUBBER PLUG D=12.5 L=4	5
12		SM-6060800-SP	SCREW M6 L=8	2
13		400-28245	THREAD TAKE UP LEVER COVER	1
14		400-30298	ASSY_FACE_COVER_28	1
15		TA-1600406-RO	PLUG	(2)
16		400-28641	FACE COVER_28	(1)
17		TA-1250706-RO	RUBBER PLUG	1
18		229-20706	TWO EYELET	2
19		SM-8050412-TP	SCREW M5 L=4	2
20		400-29078	THREAD GUIDE UPPER	1
21		SM-1040750-TP	SCREW M4 L=7	1
22		400-29347	THREAD GUIDE WIRE	1
23		SM-8040402-TP	SCREW M4X0.7 L=4	1
24	#09	400-28707	THREAD GUIDE LOWER	1
25		SM-1040750-TP	SCREW M4 L=7	1
26		BT104-051-000	THROAT PLATE PIN	1
27	#10	400-28730	PLATE	1
28		SM-9040603-SC	SCREW M4 L=6	2
29		229-01805	GROUND MARK	1
30	#02	SM-1040750-TP	SCREW M4 L=7	2
31		SM-6040655-TP	SCREW M4 L=6	1
32		SM-2040750-TP	SCREW M4 L=7.4	1
33	#03	226-01058	BED SLIDE LEFT, ASM., A	1
34	#04	400-25247	ASSY_SLIDE_PLATE-L-A	1
35	#03	226-25503	THROAT PLATE 1/4	1
36	#04	400-25432	THROAT PLATE TRIM-1/4	1
37	#03	228-00555	BED SLIDE RIGHT, ASM., A	1
38	#04	400-25235	ASSY_SLIDE_PLATE-R-A	1
39	#02	400-42880	ASSY_SLIDE_PLATE_F	1
40	#01	400-42874	ASSY_SLIDE_PLATE_F STANDARD	1
41		400-28555	STUD	3
42	#05	400-34675	THREAD GUIDE ASM E	1
43	#06	400-32898	THREAD GUIDE FELT	1
44	#06	226-03708	FELT	1
45	#02	400-28706	AUXILIARY COVER	1
46	#02	226-67803	RUBBER PLUG	1
47	#08	400-34053	RESISTANCE PACK AA ASM.	1
48	#08	SM-4041055-SP	SCREW	1
49	#02	CM-3013000-01	SAFETY LABEL	2
50	#08	WP-0430800-SD	WASHER M4	1
51		400-35180	BED SCREW STUD_B	1
52		CM-2002002-01	LABEL_O2_C	1
53	#07	SS-8110410-TP	SCREW 11/64-40 L=3.5	1
54		CM-1001000-01	OIL INJECTION PROHIBITION LABE	1
55		400-22407	CORD HOLDER	1
56		CM-3011001-01	LABEL_O3_C	1
57		TA-1470704-RO	RUBBER PLUG	1
58		TA-0950806-RO	RUBBER PLUG	1
59		TA-1650406-RO	FRUG	1
60		400-26811	THREADING DIAGRAM	1
61		400-36590	WASHER	1
62		EA-9602802-00	CABLE CLIP C	2
63		SM-6040552-TP	SCREW M4 L=4.5	2
64		236-01305	AIR-DISCHARGING CAP	1
65		236-29900	AIR-DISCHARGING	1
66		RO-0801502-00	RUBBER RING	1
67		SM-4051055-SP	SCREW	3
68	#11	400-28731	PLATE	1
69		CM-2001001-01	LABEL_O1_C	1
70		CM-3002000-01	ATTENTION SEAL	1
71		TA-1030402-RO	RUBBER PLUG D=10.3 L=4	1
72		TA-0750704-RO	RUBBER PLUG	2
73		TA-1250406-RO	RUBBER PLUG D=12.5 L=4	3
74		400-06323	JUKI GREASE A TUBE	1

NOTE (注記)

#01...	FOR LH-3528	LH-3528用
#02...	FOR LH-3528-7	LH-3528-7用
#03...	EXCHANGING GAUGE PARTS FOR LH-3528(SEE. P. 37, 38)	LH-3528交換ゲージ部品 (37, 38ページを参照下さい。)
#04...	EXCHANGING GAUGE PARTS FOR LH-3528-7(SEE. P. 39)	LH-3528-7交換ゲージ部品 (39ページを参照下さい。)
#05...	OPTIONAL PARTS(TYPE G) (FOR LH-3578, LH-3578-7, LH-3588, LH-3588-7)	オプション部品(G仕様) (FOR LH-3578, LH-3578-7, LH-3588, LH-3588-7用)
#06...	TYPE A(Accessorie Parts)	A仕様 (付属品)
#07...	SELECTIVE PARTS	選択部品
#08...	FOR LH-3528-0B, LH-3528-7	LH-3528-0B, LH-3528-7用
#09...	FOR LH-3528, LH-3528-7, LH-3568, LH-3568-7	LH-3528, LH-3528-7, LH-3568, LH-3568-7用
#10...	FOR LH-3528, LH-3528-7, LH-3578, LH-3578-7	LH-3528, LH-3528-7, LH-3578, LH-3578-7用
#11...	FOR LH-3568, LH-3568-7, LH-3588, LH-3588-7	LH-3568, LH-3568-7, LH-3588, LH-3588-7用

2. MAIN SHAFT & THREAD TAKE-UP COMPONENTS

上軸・天秤関係



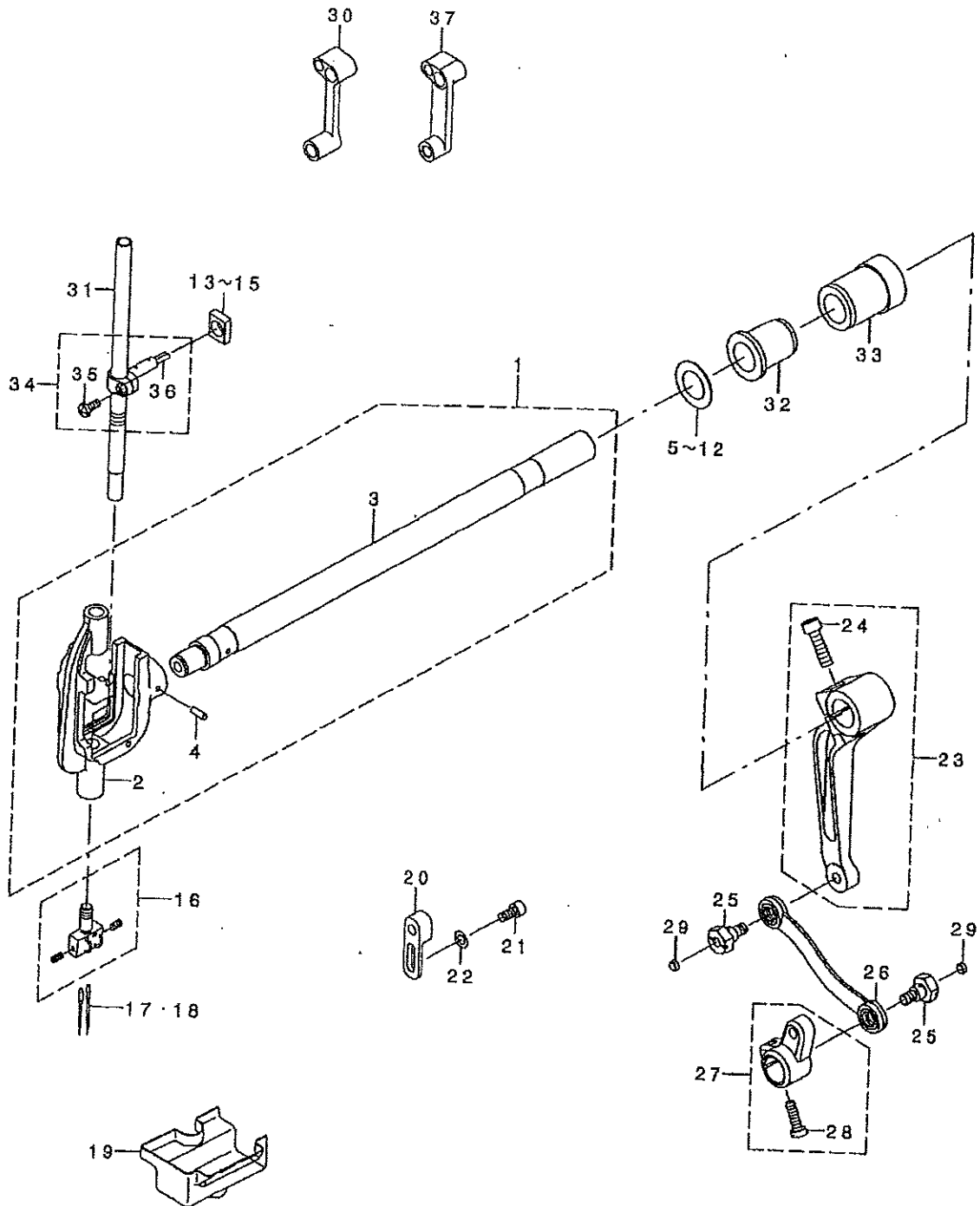
REF. NO.	NOTE	PART NO.	DESCRIPTION	品名	Qty.
1		TA-0750404-R0	PLUG D=7.5 L=3.5	トメピン D=7.5 L=3.5	1
2	#04	226-05307	THREAD TAKE-UP LEVER PIN	デンビ' ンチエツク	1
3		CQ-2020000-00	OIL WICK	ユツク	0.15
4	#04	400-24093	THREAD TAKE_UP_LEVER_C	デンビ' ンC	1
5		CQ-2020000-00	OIL WICK	ユツク	0.04
6		400-22678	TAKE_UP_LEVER_THRUST_PIN	デンビ' ンスラスト' ク	1
7		CQ-2520000-00	OIL WICK	ユツク	0.02
8		228-10907	RUBBER PLUG	デンビ' ンゴ' Aセツ	1
9		SM-8060612-TP	SCREW M6 L=6	トメネツ' M6 L=6	2
10	#03	226-22401	SYNCRO FRNGE	ツツク07ラツク	1
11		400-29954	NEEDLE_BAR_CRANK_PIN	ハシ' ウクラツク' ン	1
12		CQ-3030000-00	OIL WICK	ユツク	0.02
13		400-31864	ASSY_COUNTER_WEIGHT	ツツクアイス' クミ	1
14		SM-8060552-TP	SCREW M6 L=5	トメネツ'	(1)
15		SM-8060612-TP	SCREW M6 L=6	トメネツ' M6 L=6	(1)
16		400-04171	COUNTER_WEIGHT_SCREW	ツツクアイス' トメネツ'	(1)
17		SM-8081652-TP	SCREW M8 L=16	トメネツ' M8 L=16	(1)
18		400-24436	MAINSHAFT	ウツク' ク	1
19		400-28117	LOWER_SPROCKET	ツツク' クス' ヲケツト	1
20		SM-6061150-TP	SCREW M6 L=11	ヒラコネツ' M6 L=11	2
21	#01	400-32987	HAND_WHEEL	ハズ' ミク' ヲ	1
22	#01	SM-8061550-TP	SCREW M6 L=15	トメネツ' M6 L=15	2
23	#02	400-32993	COMP_HAND_WHEEL_TRIM	ハズ' ミク' 兼(クミ)イトキリ	1
24		400-32994	ASSY_HAND_WHEEL_TRIM	ハズ' ミク' 兼(クツゴ' ウ)イトキリ	(1)
25		400-27099	HAND_WHEEL	ハズ' ミク' ヲ	(1)
26		M4002-110-000	GENERATOR ROTOR	ハツテ' ンキ' ロ' タ-	(1)
27		400-17624	MAGNET FITTING BASE A ASH.	マ' ネット' トリツク' タ' イ' クツゴ' ウ	(1)
28		400-17625	MAGNET FITTING BASE B ASH.	マ' ネット' トリツク' タ' イ' クツゴ' ウ	(1)
29		SM-8061550-TP	SCREW M6 L=15	トメネツ' M6 L=15	(2)
30		SS-8111210-SP	SCREW 11/64-40 L=12	ヒラネツ' 11/64-40 L=12	(2)
31		WP-0450801-SD	WASHER 4.5X10X0.8	ヒラネツ' ガ' 4.5X10X0.8	(2)
32		229-37965	DYNAMO STATOR	ハツテ' ンキ' ステ' タ- (クミ)	1
33		SL-4051001-MZ	SCREW M5 L=9.6	サ' ガ' ねツキ' ナ' コ' ねツ' M5 L=9.6	2
34	#03	400-32142	SENSOR_SUPPORT_SHAFT_ASM.	ケン' ヲ' ヲ' キ' チ' エツ' ク	1
35		400-29048	ASSY_MAINSHAFT_BEARING_2	ウツク' ク' ナ' ハ' 'ア' ヲ' ヲ' ク' クミ	1
36		400-28116	MAIN_SHAFT_SPROCKET	ウツク' ク' ス' ヲ' ケツト	(1)
37		SB-1200025-00	BEARING	コ' ロ' ガ' ヲ' ヲ' ク' ク' ク	(1)
38		SM-8060612-TP	SCREW M6 L=6	トメネツ' M6 L=6	(2)
39		400-29047	ASSY_MAINSHAFT_BEARING	ウツク' ク' マ' エ' ハ' 'ア' ヲ' ヲ' ク' クミ	1
40		SM-8060612-TP	SCREW M6 L=6	トメネツ' M6 L=6	(2)
41		400-28652	TIMING BELT	タイ' ミ' ヲ' ク' ハ' 'ト	1
42		TA-0490601-R0	PLUG D=4.9X5.5 L=6	トメピン D=4.9X5.5 L=6	1
43		400-29049	ASSY_MAINSHAFT_BEARING_3	ウツク' ク' ウ' ヲ' ヲ' ハ' 'ア' ヲ' ヲ' ク' クミ	1
44		400-33667	BEARING_BUSH_C_ASH.	ハ' 'ア' ヲ' ヲ' ク' 'ア' ' ヲ' ヲ' ク' クミ	(1)
45		SM-8060812-TP	SCREW M6 L=8	トメネツ' M6 L=8	(2)
46		SB-1200020-00	BEARING	コ' ロ' ガ' ヲ' ヲ' ク' ク' ク	(1)
47	#03	400-26920	SYNCHRONIZER_ASM.	ツツク' ク' ロ' ク' ミ	1
48		TA-0500301-R0	PLUG 5X5.8 L=3	トメピン 5X5.8 L=3	1
49		TA-0370301-R0	PLUG D=3.7X4.4 L=3	トメピン D=3.7X4.4 L=3	1
50	#05	400-46212	THREAD TAKE UP LEVER PIN	デンビ' ンチエツク	1
51	#05	400-43322	TAKE_UP_LEVER_E_COATING	デンビ' VE_COATING	1

NOTE (注記)

#01...FOR LH-3568
 #02...FOR LH-3568-7
 #03...OPTIONAL PARTS(FOR LH-3568)
 #04...FOR LH-3528, LH-3528-7,
 LH-3568, LH-3568-7
 #05...FOR LH-3578, LH-3578-7,
 LH-3588, LH-3588-7

LH-3568用
 LH-3568-7用
 オプション部品(LH-3568用)
 LH-3528, LH-3528-7,
 LH-3568, LH-3568-7用
 LH-3578, LH-3578-7,
 LH-3588, LH-3588-7用

3. NEEDLE BAR COMPONENTS (1) (FOR LH-3528,3528-7,3578,3578-7)
 針棒關係 (1) (LH-3528,3528-7,3578,3578-7用)



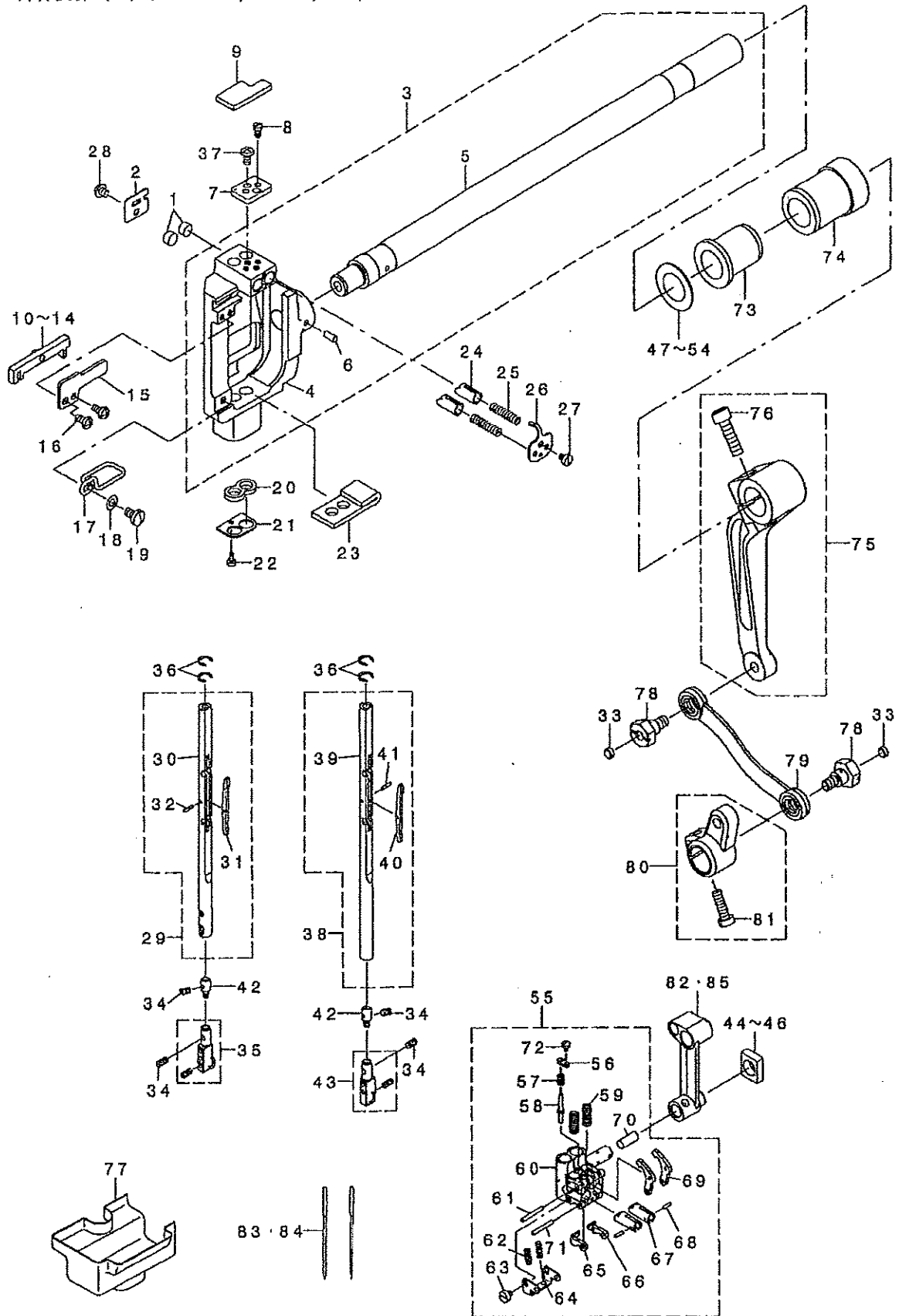
REF. NO.	NOTE	PART NO.	DESCRIPTION	ヒョウネイ	Qty
1		400-26395	NEEDLE_BAR_ROCKING_BASE_ASM.	ハリネ' ウヨウト' ウダ' イクミ	1
2		400-26394	NEEDLE_BAR_ROCKING_BASE	ハリネ' ウヨウト' ウダ' イカタハリナツ	(1)
3		400-25329	NEEDLE_BAR_SHAFT	ハリネ' ウヨウト' ウツ' ク	(1)
4		PT-0502700-S0	TAPERED PIN	テ-ハ' -ピ' ン	(1)
5	#03	226-06206	SPACER Y	ハリネチスハ' -サY	1
6	#03	226-06305	SPACER Z	ハリネチスハ' -サZ	1
7	#03	226-07600	SPACER A	ハリネチスハ' -サA	1
8	#03	226-07709	SPACER B	ハリネチスハ' -サB	1
9	#03	B1438-512-B00	WASHER 17.1X28X1.5	ヨ-ト' -ツ' クメタル' サ' カ' ネ T=1.5	1
10	#03	226-07808	SPACER D	ハリネチスハ' -サD	1
11	#03	226-07907	SPACER E	ハリネチスハ' -サE	1
12	#03	226-06404	SPACER F	ハリネチスハ' -サF	1
13	#03	232-04506	ROCKING ROD SQUARE BLOCK A	ハリネ' ウクランクロツト' カクコ' マA	1
14	#03	232-04605	ROCKING ROD SQUARE BLOCK B	ハリネ' ウクランクロツト' カクコ' マB	1
15	#03	232-04704	ROCKING ROD SQUARE BLOCK C	ハリネ' ウクランクロツト' カクコ' マC	1
16	#05	400-26035	ASSY_NEEDLE_CLAMP(1/4)	ハリト' メクミ(1/4)	1
17☆	#03	MDP-500B1400	NEEDLE DPX5 #14	ハリ DPX5 #14	2
18☆	#03	MDP-500B2100	NEEDLE DPX5 #21	ハリ DPX5 #21	2
19		226-06800	OIL GUARD RUBBER	ユネ' ウゴ' A (カタハ' リナツ)	1
20	#01	400-28666	ROCKING ROD FIXING BLOCK	ユテイト' タ' イ	1
21	#01	SM-6051002-TP	SCREW M5X0.8 L=10	ロツカクアナネ' ネト M5X0.8 L=10	2
22	#01	WP-0550800-SP	WASHER 5.5X10X0.8	ヒラサ' カ' ネ 5.5X10X0.8	2
23		400-33669	ASSY_REAR_ARM	ハリネ' ウヨウト' ウクウア' ウテ' クミ	1
24		SM-6062502-TP	SCREW M6 L=25	ロツカクアナネ' ネト M6 L=25	(1)
25		400-26482	SHOULDER SCREW	タ' ンネツ'	2
26		400-32124	DRIVING ROD_ASM.	ハリネ' ウヨウト' ウロツト' クミ	1
27		400-28853	ASSY_DRIVING_ARM	ハリネ' ウヨウト' ウクウア' ウテ' クミ	1
28		SM-6051600-SP	SCREW M5 L=16	ヒラネツ' M5 L=16	(1)
29		131-02702	THROAT PLATE COVER	ハリイタフタ	2
30	#02	400-30037	NEEDLE_BAR_CRANK_ROD	ハリネ' ウクランクロツト'	1
31		400-28031	NEEDLE_BAR	ハリネ' ウ	1
32		400-23568	BUSHING	ヨウト' ウマエメタル	1
33		400-23569	BUSHING	ヨウト' ウウツロメタル	1
34		400-31862	ASSY_NEEDLE_BAR_CONNECTION	ハリネ' ウダ' キクミ	1
35		SM-4041055-SP	SCREW	ナハ' ネツ' M4 L=10	(1)
36		CQ-2520000-00	OIL WICK	ユツツ	(0.04)
37	#04	400-30038	NEEDLE_BAR_CRANK_ROD	ハリネ' ウクランクロツト'	1

NOTE (注記)

#01...FOR LH-3528 LH-3528用
#02...FOR LH-3528,LH-3528-7 LH-3528,LH-3528-7用
#03...SELECTIVE PARTS 選択部品
#04...FOR LH-3578,LH-3578-7 LH-3578,LH-3578-7用
#05...EXCHANGING GAUGE PARTS 交換ゲージ部品
(SEE.P.38,39,42,43) (38,39,42,43ページを
ご参照下さい。)

4. NEEDLE BAR COMPONENTS (2) (FOR LH-3568,3568-7,3588,3588-7)

針棒關係 (2) (LH-3568,3568-7,3588,3588-7用)



REF. NO	NOTE	PART NO.	DESCRIPTION	Qty
1		229-03702	ROLLER FELT	2
2		226-81209	FELT COVER	1
3		400-26402	NEEDLE BAR ROCKING BASE ASK	(1)
4		400-26401	NEEDLE ROD ROCKING BASE	(1)
5		400-25329	NEEDLE BAR SHAFT	(1)
6		PT-0802700-SU	TAPERED PIN	(1)
7		226-82702	NEEDLE BAR SWIVEL STOPPER	1
8		226-81712	STOPPER SCREW	2
9		400-39629	FELT	1
10	#01	226-81951	SLIDER BLOCK ASM. A	1
11	#01	226-82058	SLIDER BLOCK ASM. B	1
12	#01	226-82157	SLIDE BLOCK	1
13	#01	226-82256	SLIDER BLOCK ASM. D	1
14	#01	226-82355	SLIDER BLOCK ASM. E	1
15		226-81803	SLIDE BLOCK GUIDE PLATE	1
16		SS-4090715-SP	SCREW 9/64-40 L=7	2
17		226-85903	FELT GUIDE	1
18		WP-0450000-SD	WASHER 4.5X8X0.5	1
19		SS-7110710-SP	SCREW 11/64-40 L=7	1
20		226-86000	NEEDLE BAR OIL SEAL FELT, A	1
21		226-85804	NEEDLE BAR OIL SEAL PLATE	1
22		SS-6060510-TP	SCREW 3/32-56 L=4.5	1
23		226-86109	NEEDLE BAR OIL SEAL FELT, B	1
24		226-81407	NEEDLE BAR STOPPER	2
25		226-81506	SPRING	2
26		226-81316	STOPPER SPRING COVER	1
27		SS-6080410-SP	SCREW 1/8-44 L=4	1
28		SS-4090415-SP	SCREW 9/64-40 L=4	1
29		400-26983	NEEDLE BAR ASM LEFT	1
30		400-26982	NEEDLE BAR LEFT	(1)
31		226-86200	SEESAW PLATE	(1)
32		226-85408	NEEDLE BAR PIN	(1)
33		131-02702	THROAT PLATE COVER	2
34		B1425-526-000	SCREW 1/8-44 L=8	4
35	#02	400-29561	ASSY NEEDLE CLAMP L(1/4)	1
36		400-28658	RING A	4
37		SS-4090715-SP	SCREW 9/64-40 L=7	2
38		400-26984	NEEDLE BAR ASM RIGHT	1
39		400-26981	NEEDLE BAR RIGHT	(1)
40		226-85200	SEESAW PLATE	(1)
41		226-85408	NEEDLE BAR PIN	(1)
42		226-82504	SPRING BEARING	2
43	#02	400-29562	ASSY NEEDLE CLAMP R(1/4)	1
44	#01	232-04506	ROCKING ROD SQUARE BLOCK A	1
45	#01	232-04605	ROCKING ROD SQUARE BLOCK B	1
46	#01	232-04704	ROCKING ROD SQUARE BLOCK C	1
47	#01	226-06206	SPACER Y	1
48	#01	226-06305	SPACER Z	1
49	#01	226-07600	SPACER A	1
50	#01	226-07709	SPACER B	1
51	#01	B1438-612-000	WASHER 17.1X28X1.5	1
52	#01	226-07808	SPACER D	1
53	#01	226-07907	SPACER E	1
54	#01	226-06404	SPACER F	1
55		400-32147	NEEDLE BAR CONNECTION ASM	1
56		226-83205	RELEASE PIN COVER	(1)
57		226-83304	SPRING	(1)
58		400-24473	RELEASE PIN	(1)
59		226-83809	SPRING	(2)
60		400-28679	NEEDLE BAR CONNECTION	(1)
61		226-83403	NEEDLE BAR CONNECTION PIN	(1)
62		226-84104	SPRING	(2)
63		SS-6080340-SP	SCREW 1/8-44 L=2.9	(2)
64		226-84203	SPRING BRACKET	(1)
65		226-83903	CLUTCH STOPPER, LEFT	(1)
66		226-84005	CLUTCH STOPPER, RIGHT	(1)
67		400-24064	NEEDLE BAR CLUTCH	(2)
68		B1705-850-000	STOPPER PIN	(2)
69		226-81601	CLUTCH LEVER	(2)
70		CR-2520600-00	OIL WICK	(0.03)
71		400-15144	NEEDLE BAR CONNECTION PIN	(1)
72		SS-7060310-SP	SCREW 3/32-56 L=3	(1)
73		400-23568	BUSHING	1
74		400-23569	BUSHING	1
75		400-33669	ASSY REAR ARM	1
76		SK-6082502-TP	SCREW #6 L=25	(1)
77		226-85705	OIL GUARD RUBBER	1
78		400-26482	SHOULDER SCREW	2
79		400-32124	DRIVING ROD ASM	1
80		400-28853	ASSY DRIVING ARM	1
81		SH-6051600-SP	SCREW #5 L=15	(1)
82	#03	400-28200	NEEDLE BAR CRANK ROD	1
83*	#01	MDP-500B140G	NEEDLE DPX5 #14	2
84*	#01	MDP-500B2100	NEEDLE DPX5 #21	2
85	#04	400-30027	NEEDLE BAR CRANK ROD	1

NOTE (注記)

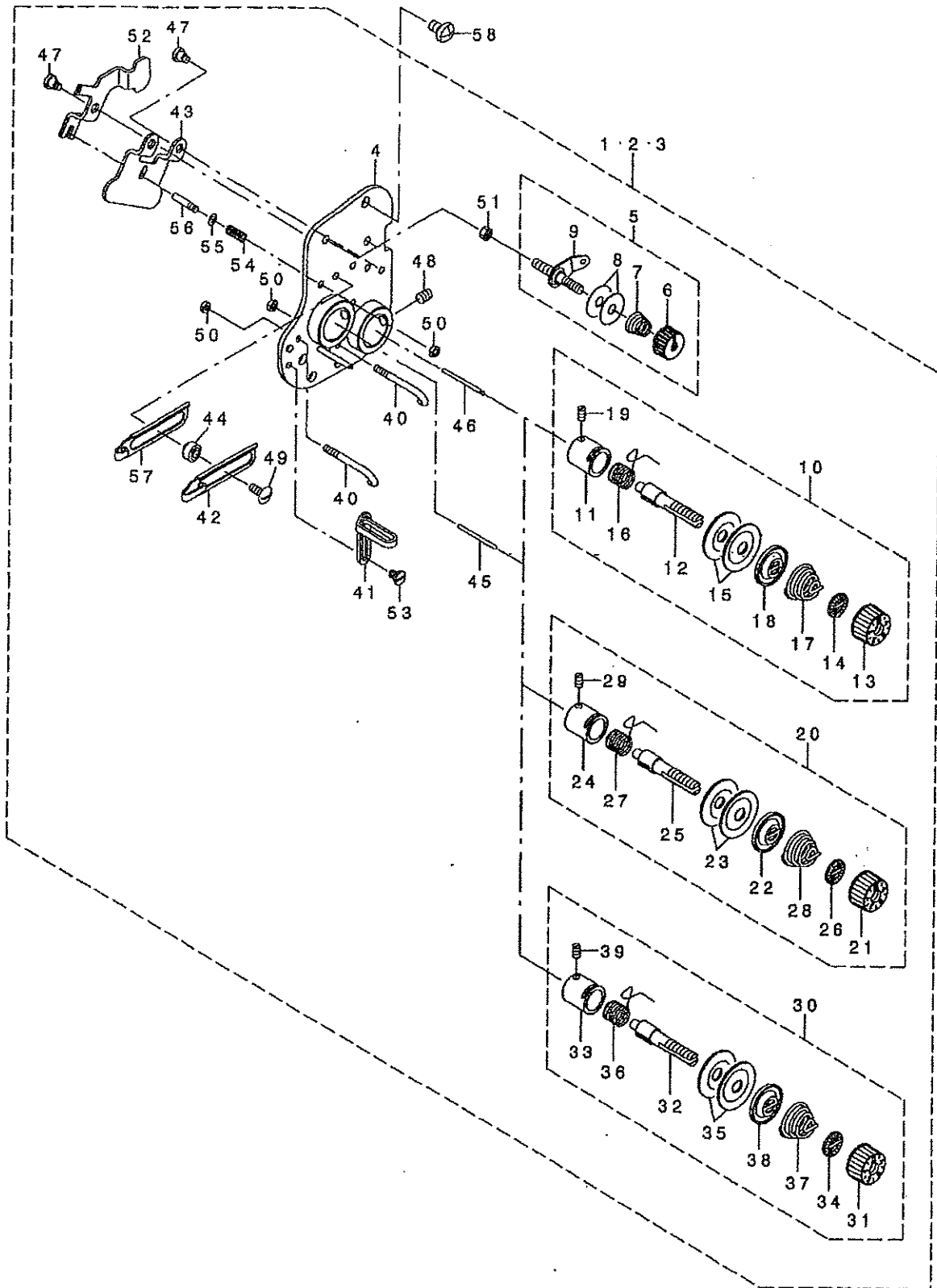
- #01... SELECTIVE PARTS
- #02... EXCHANGING GAUGE PARTS
(SEE P. 40, 41, 44, 45)
- #03... FOR LH-3568, LH-3588-7
- #04... FOR LH-3568, LH-3588-7

選取部品

交換ゲージ部品
(40, 41, 44, 45ページをご参照下さい。)
LH-3568, LH-3588-7用
LH-3568, LH-3588-7用

5. TENSION POST COMPONENTS (1) (FOR LH-3528,3528-7,3578,3578-7)

糸調子関係 (1) (LH-3528,3528-7,3578,3578-7用)

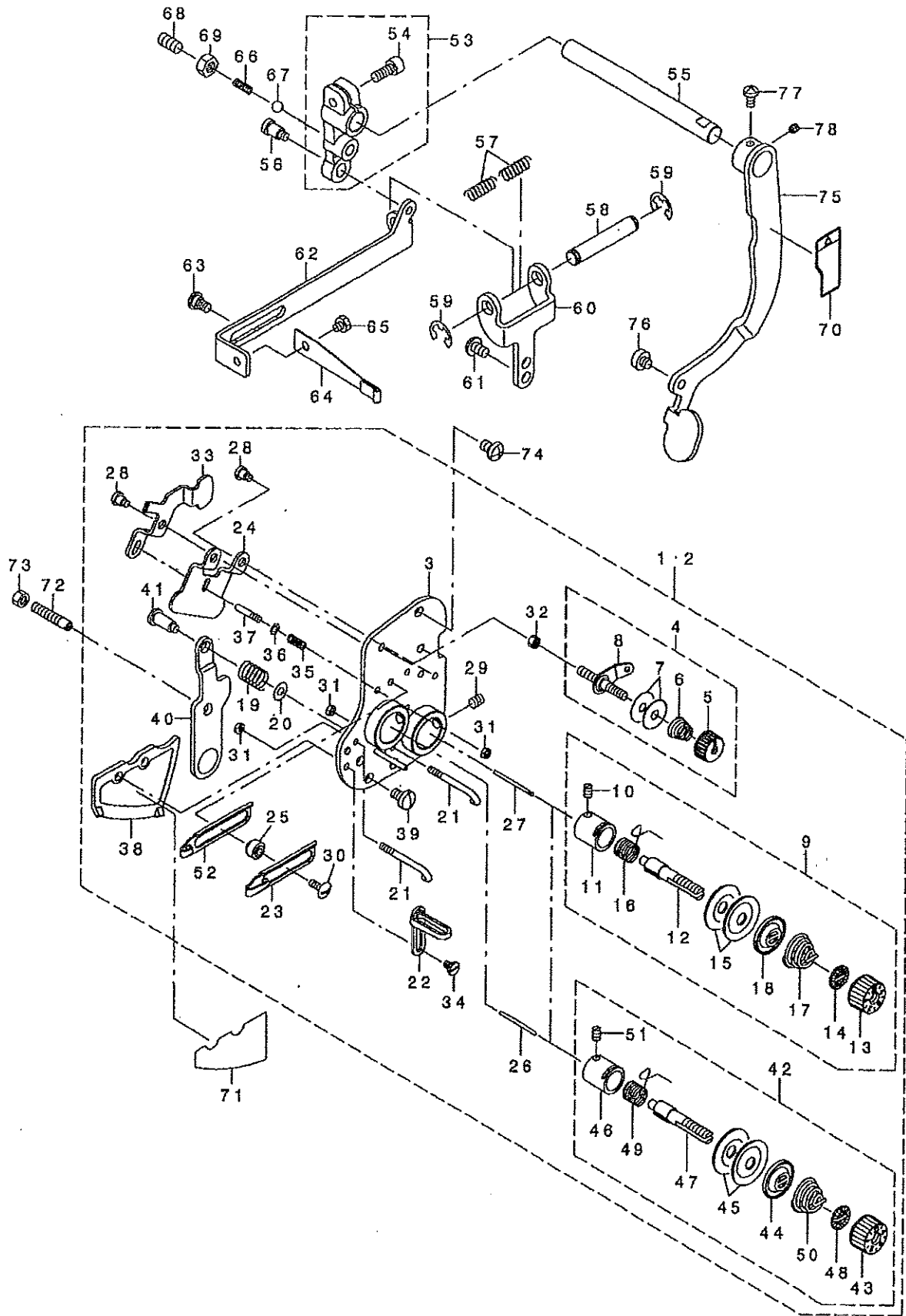


REF. NO	NOTE	PART NO.	DESCRIPTION	品名	Qty
1	#01	400-32707	COMP_THREAD_TENSION_28S	トチヨウクミ28S	1
2	#02	400-32708	COMP_THREAD_TENSION_28G	トチヨウクミ28G	1
3	#03	400-32709	COMP_THREAD_TENSION_28A	トチヨウクミ28A	1
4		400-28250	ASSY_TENSION_BASE_PLATE	トチヨウクミタテ	(1)
5		400-52366	ASSY_THREAD_TENSION	タ'イチトチヨウクミ(タテ)	(2)
6		110-72402	THREAD TENSION NUT	タ'イ1 トチヨウクミナット	(1)
7		229-45505	THREAD TENSION SPRING	タ'イチトチヨウクミ'ネ	(1)
8		B3214-047-000	BOBBIN WINDER TENSION DISC	トチヨウクミ'チ	(2)
9		225-29473	BOBBIN THREAD TENSION ROD ASM.	トチヨウクミ'ウ(タテ)	(1)
10	#01	400-56698	THREAD TENSION ASM.	トチヨウクミ	(1)
11		229-45307	THREAD TENSION POST BASE	トチヨウクミ'ウタ'イ	(1)
12		400-25162	THREAD_TENSION_POST	トチヨウクミ'ウ	(1)
13		236-26005	THREAD TENSION NUT	トチヨウクミナット	(1)
14		229-21407	ROTATION STOPPER	トチヨウクミ'ラカイデント'メ	(1)
15		229-21606	THREAD TENSION DISK	トチヨウクミ'ラ	(2)
16☆		229-21605	THREAD TAKE-UP SPRING	トチヨウクミ'ネ	(1)
17		229-21704	THREAD TENSION SPRING, A	トチヨウクミ'ネ(A)	(1)
18		229-21803	DISK STOPPER	トチヨウクミ'ラオキエ	(1)
19		SS-8090670-SP	SCREW 9/64-40 L= 5.5	トメネツ' 9/64-40 L=5.5	(1)
20	#02	400-25161	ASSY_THREAD_TENSION_G	トチヨウクミG	(1)
21		236-26005	THREAD TENSION NUT	トチヨウクミナット	(1)
22		229-21803	DISK STOPPER	トチヨウクミ'ラオキエ	(1)
23		229-21506	THREAD TENSION DISK	トチヨウクミ'ラ	(2)
24		229-45307	THREAD TENSION POST BASE	トチヨウクミ'ウタ'イ	(1)
25		400-25162	THREAD TENSION POST	トチヨウクミ'ウ	(1)
26		229-21407	ROTATION STOPPER	トチヨウクミ'ラカイデント'メ	(1)
27☆		229-21605	THREAD TAKE-UP SPRING	トチヨウクミ'ネ	(1)
28		229-62006	THREAD TENSION SPRING	トチヨウクミ'ネ	(1)
29		SS-8090670-SP	SCREW 9/64-40 L= 5.5	トメネツ' 9/64-40 L=5.5	(1)
30	#03	236-27458	THREAD TENSION ASM. ,F	トチヨウクミ'F	(1)
31		236-26006	THREAD TENSION NUT	トチヨウクミナット	(1)
32		B3115-552-000	TENSION POST	トチヨウクミ'ウ	(1)
33		B3111-126-000	TENSION POST SOCKET	トチヨウクミ'ウ'タ'イ	(1)
34		B3120-125-000	ROTATING STOPPER	トチヨウクミ'ラカイデント'メ	(1)
35		B3126-012-000	THREAD TENSION DISK	トチヨウクミ'ラ	(2)
36☆		D3128-555-D00	TAKE-UP SPRING	トチヨウクミ'ネ	(1)
37		D3129-556-D00	THREAD TENSION SPRING	トチヨウクミ'ネ	(1)
38		B3132-552-000	THREAD TENSION DISK PRESSER	トチヨウクミ'ラオキエ	(1)
39		SS-8090670-SP	SCREW 9/64-40 L= 5.5	トメネツ' 9/64-40 L=5.5	(1)
40		B1118-512-000-A	THREAD GUIDE A	テンビ'ン トチヨウクミ A	(2)
41		400-60693	THREAD GUIDE UPPER A	トチヨウクミ'ウ(ウエ)A	(1)
42		400-60840	THREAD TAKE UP GUIDE_B	テンビ'ン トチヨウクミ B	(1)
43		400-34660	DISK RELEASE PLATE	チヨウクミ'メ	(1)
44		232-03300	THREAD GUIDE COLLAR	トチヨウクミ'カラ	(2)
45		B3118-552-F00	TENSION RELEASING PIN	トチヨウクミ'ピン F	(1)
46		B3118-552-I00	TENSION RELEASING PIN I	トチヨウクミ'ピン I	(1)
47		SD-0470316-TP	SHOULDER SCREW D=4.7 H=3.1	タ'メネツ' D=4.7 H=3.1	(3)
48		SM-8050612-TP	SCREW M5X6	トメネツ' M5X0.8 L=6	(2)
49		SS-5091020-SP	SCREW 9/64-40 L= 9.5	トメネツ' 9/64-40 L=9.5	(2)
50		NS-6080210-SP	NUT 1/8-44	ウツカクナット 1/8-44	(3)
51		NS-6110310-SP	NUT 11/64-40	ウツカクナット 11/64-40	(2)
52		400-34840	RELEASE LEVER	チヨウクミ'メ	(1)
53		SS-6090520-SP	SCREW 9/64-40 L= 5.0	トメネツ' 9/64-40 L=5	(1)
54		400-09222	PRESSER PLATE ADJUSTING SPRING	ネツ'イタチヨウクミ'ネ	(1)
55		WP-0350516-SD	WASHER 3.5X6X0.5	ヒラシ'ネ 3.5X6X0.5	(1)
56		400-15699	SPRING_GUIDE	スプリング'ガイド	(1)
57		400-60689	THREAD TAKE UP GUIDE	テンビ'ン トチヨウクミ	(1)
58		SM-4050855-SP	SCREW	トメネツ' M5 L=8	2

NOTE (注記) #01...TYPE S,F S,F仕様
#02...TYPE G G仕様
#03...TYPE A A仕様

6. TENSION POST COMPONENTS (2) (FOR LH-3568,3568-7,3588,3588-7)

糸調子関係 (2) (LH-3568,3568-7,3588,3588-7用)



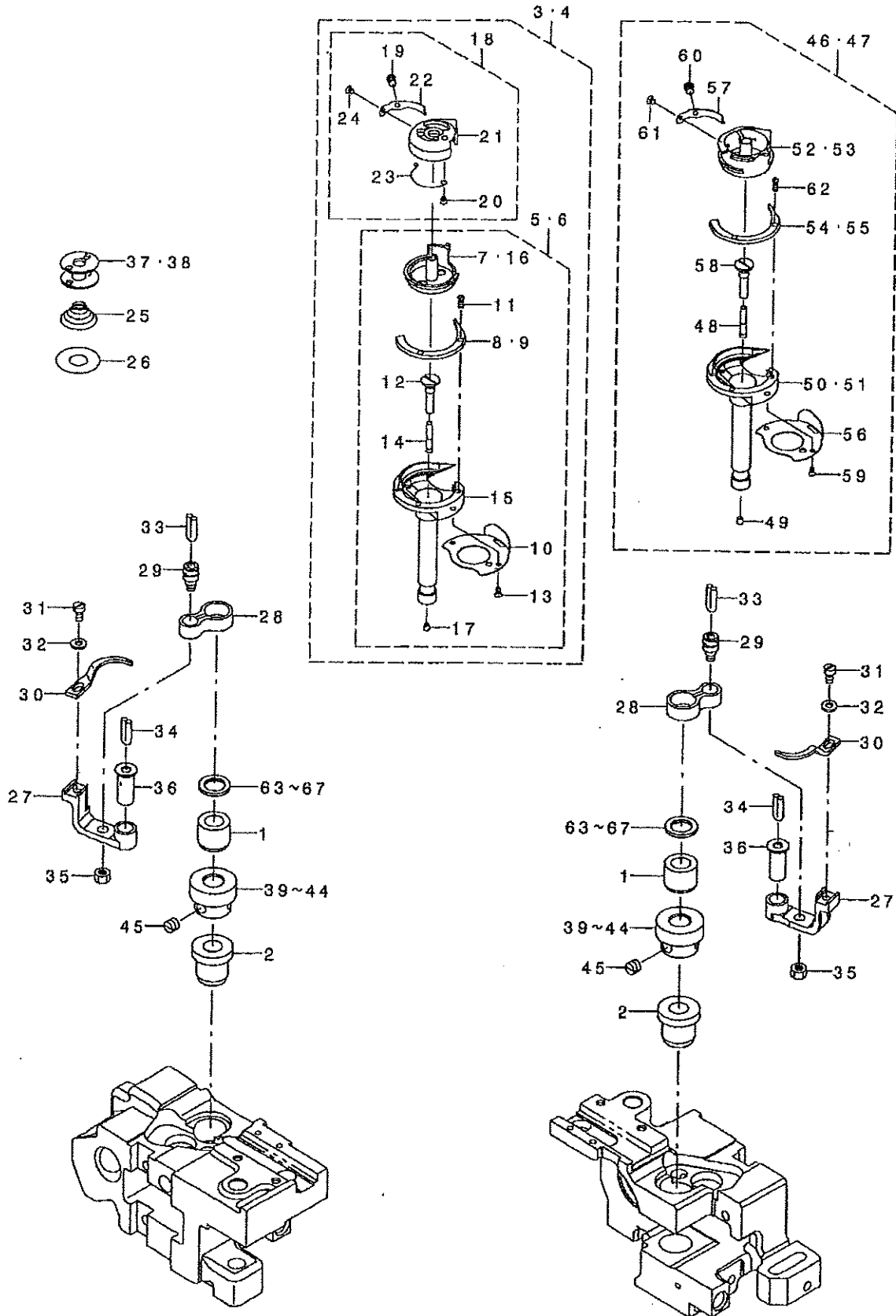
REF. NO	NOTE	PART NO.	DESCRIPTION	Qty
1	=01	400-32710	COMP_THREAD_TENSION_68S	1
2	=02	400-32711	COMP_THREAD_TENSION_68G	1
3		400-28250	ASSY_TENSION_BASE_PLATE	(1)
4		400-52366	ASSY_THREAD_TENSION	(2)
5		110-72402	THREAD_TENSION_NUT	(1)
6		229-45505	THREAD_TENSION_SPRING	(1)
7		83214-047-000	BOBBIN_WINDER_TENSION_DISC	(2)
8		225-29473	BOBBIN_THREAD_TENSION_ROD_ASM.	(1)
9	=01	400-56898	THREAD_TENSION_ASM.	(2)
10		SS-8090870-SP	SCREW 8/64-40 L= 5.5	(1)
11		229-45307	THREAD_TENSION_POST_BASE	(1)
12		229-21209	THREAD_TENSION_POST	(1)
13		236-26005	THREAD_TENSION_NUT	(1)
14		228-21407	ROTATION_STOPPER	(1)
15		229-21506	THREAD_TENSION_DISK	(2)
16		229-21605	THREAD_TAKE-UP_SPRING	(1)
17	=01	B3129-012-A00	TENSION_SPRING	(1)
18		229-21803	DISK_STOPPER	(1)
19		B1449-526-000	REPOSITIONING_LEVER_SPRING	(1)
20		WP-0450801-SP	WASHER	(1)
21		B1178-512-000-A	THREAD_GUIDE_A	(2)
22		400-60693	THREAD_GUIDE_UPPER_A	(1)
23		400-60840	THREAD_TAKE-UP_GUIDE_B	(1)
24		400-34660	DISK_RELEASE_PLATE	(1)
25		232-03300	THREAD_GUIDE_COLLAR	(2)
26		B3118-552-F00	TENSION_RELEASE_PIN	(1)
27		B3118-552-100	TENSION_RELEASE_PIN_I	(1)
28		SD-0470316-TP	SHOULDER_SCREW D=4.7 H=3.1	(3)
29		SM-8050812-TP	SCREW M5X0.8 L=6	(2)
30		SS-5091020-SP	SCREW 8/64-40 L= 9.5	(2)
31		NS-6080210-SP	NUT 1/8-44	(3)
32		NS-6110310-SP	NUT 11/64-40	(2)
33		400-34840	RELEASE_LEVER	(1)
34		SS-6080520-SP	SCREW 9/64-40 L= 5.0	(1)
35		400-09222	PRESSER_PLATE_ADJUSTING_SPRING	(1)
36		WP-0350516-SD	WASHER 3.5X6X0.6	(1)
37		400-15699	SPRING_GUIDE	(1)
38		400-28258	REPOSITIONING_LEVER_BASE	(1)
39		SM-7050850-TP	SCREW M5 L=8	(2)
40		400-28262	REPOSITIONING_RELEASE_LEVER	(1)
41		SD-0501171-SP	HINGE_SCREW D=6 H=11.7	(1)
42	#02	400-25161	ASSY_THREAD_TENSION_G	(1)
43		236-26005	THREAD_TENSION_NUT	(1)
44		229-21803	DISK_STOPPER	(1)
45		229-21506	THREAD_TENSION_DISK	(2)
46		229-45307	THREAD_TENSION_POST_BASE	(1)
47		400-25162	THREAD_TENSION_POST	(1)
48		229-21407	ROTATION_STOPPER	(1)
49	*	229-21605	THREAD_TAKE-UP_SPRING	(1)
50		229-62005	THREAD_TENSION_SPRING	(1)
51		SS-8080870-SP	SCREW 8/64-40 L= 5.5	(1)
52		400-60689	THREAD_TAKE-UP_GUIDE	(1)
53		400-32327	ASSY_REPOSITIONING_ARM	1
54		SM-6051202-TP	SCREW M5X0.8 L=12	(1)
55		400-28844	REPOSITIONING_LEVER_SHAFT	1
56		SD-0640752-TP	HINGE_SCREW D=6.35 H=7.5	1
57		226-87503	SPRING	2
58		226-87701	SPRING_SHAFT	1
59		FE-0700000-K0	E-RING 7	2
60		226-87602	SPRING_BASE	1
61		SM-4050855-SP	SCREW M5 L=8	2
62		226-87107	REPOSITIONING_PLATE	1
63		SD-0640247-TP	SHOULDER_SCREW D=6.35 H=2.4	2
64		226-87008	LEAF_SPRING	1
65		SS-9110460-CP	SCREW 11/64-40 L=4	1
66		400-28841	ADJUSTING_SPRING	1
67		226-15702	OIL_ADJUSTING BALL	1
68		SM-8061212-TP	SCREW M6X12	1
69		NW-6060001-CP	NUT M6	1
70		CW-3004005-01	LABEL 04_C	1
71		400-35441	LABEL	1
72		400-28843	LEVER_PIN_SCREW	1
73		NW-6050001-SP	NUT M5	1
74		SM-4050855-SP	SCREW M5 L=8	2
75		400-28259	ASSY_REPOSITIONING_LEVER	1
76		SM-6050450-TP	SCREW M5 L=4	1
77		SM-4040855-SP	SCREW M5 L=4	1
78		SM-8040412-TP	SET_SCREW M4 L=4	1

NOTE (注記) #01...TYPE S
#02...TYPE G

S仕様
G仕様

7. HOOK & HOOK DRIVING SHAFT COMPONENTS (1)(FOR LH-3528,3528-7,3568,3568-7)

釜・下軸関係 (1) (LH-3528,3528-7,3568,3568-7用)



REF. NO	NOTE	PART NO.	DESCRIPTION	クニメイ	Qty
1		400-42121	HOOK UPPER BUSH	フック上バシ	2
2		400-28491	HOOK LOWER BUSH	フック下バシ	2
3☆	#02	400-36684	ASSY-CAP HOOK	フックキャップ組	2
4☆	#03	400-36685	ASSY-CAP HOOK TRIM	フックキャップトリム組	2
5	#02	400-59784	HOOK EXCEPT CAP	フック(キャップ除く)	(1)
6	#03	400-39785	HOOK TRIM EXCEPT CAP	フックトリム(キャップ除く)	(1)
7	#03	400-39391	CAP INNERHOOK	キャップ内フック	(1)
8	#02	226-12204	HOOK GIB	フックギブ	(1)
9	#03	400-36689	HOOK GIB TRIM	フックギブトリム	(1)
10		226-12303	NEEDLE POSITIONER	針位置器	(1)
11		101-12803	SCREW	ネジ	(2)
12		400-12085	OIL PLUG	オイルプラグ	(1)
13		101-12002	SCREW	ネジ	(2)
14		110-15906	OIL WICK	オイルワック	(1)
15		400-36687	OUTER HOOK TRIM	外フックトリム	(1)
16	#02	226-12709	BOBBIN BASKET	ボビンバスケット	(1)
17		TA-0290301-M0	PLUG	プラグ	(1)
18	#08	226-88154	BOBBIN CASE ASM.	ボビンケース組	(1)
19		226-12907	TENSION ADJUSTING SCREW	テンション調整ネジ	(1)
20		SS-6560150-SH	SCREW 3/32-80 L=1.3	スクリュー 3/32-80 L=1.3	(1)
21		226-88105	BOBBIN CASE	ボビンケース	(1)
22		226-88402	TENSION ADJUSTING SPRING	テンション調整スプリング	(1)
23☆		226-88204	SPRING	スプリング	(1)
24		101-10500	TENSION SPRING INSTALLING SCRE	テンションスプリング取付ネジ	(1)
25☆	#07	101-11508	SPRING	スプリング	2
26☆	#07	226-63802	SHEET	シート	2
27		B1822-051-000	OPENING LEVER CRANK	開閉レバークランク	2
28		B1820-563-000	BOBBIN CASE OPENING LEVER LINK	ボビンケース開閉レバーリンク	2
29		B1821-051-000	CRANK SCREW STUD	クランクスクリュースタッド	2
30		226-13509	BOBBIN CASE OPENING LEVER	ボビンケース開閉レバー	2
31		SS-0090810-TP	SCREW 9/64-40 L=7.5	スクリュー 9/64-40 L=7.5	2
32		WP-0371016-SD	WASHER 3.7X8X1	ワッシャー 3.7X8X1	2
33		CQ-2020000-00	OIL WICK	オイルワック	0.3
34		CQ-2020000-00	OIL WICK	オイルワック	0.3
35		NS-6110420-SP	NUT 11/64-40	ナット 11/64-40	2
36		B1823-051-000	OPENING LEVER CRANK PIN	開閉レバークランクピン	2
37☆	#06	B9117-051-000	BOBBIN	ボビン	2
38☆	#07	102-10805	HARD ALUMITE BOBBIN	ハードアルミボビン	2
39	#01	400-40549	HOOK SHAFT GEAR-E	フックシャフトギア E	2
40	#01	400-40550	HOOK SHAFT GEAR-F	フックシャフトギア F	2
41	#01	400-28560	HOOK SHAFT GEAR-A	フックシャフトギア A	2
42	#01	400-28561	HOOK SHAFT GEAR-B	フックシャフトギア B	2
43	#01	400-28562	HOOK SHAFT GEAR-C	フックシャフトギア C	2
44	#01	400-28563	HOOK SHAFT GEAR-D	フックシャフトギア D	2
45		SM-8060550-TP	SCREW #6 L=4.5	スクリュー #6 L=4.5	6
46☆	#04	400-36682	ASSY-RATCH HOOK	ラATCHフック組	2
47☆	#05	400-36683	ASSY-RATCH HOOK TRIM	ラATCHフックトリム組	2
48		110-15906	OIL WICK	オイルワック	(1)
49		TA-0290301-M0	PLUG	プラグ	(1)
50	#04	400-36686	OUTER HOOK	外フック	(1)
51	#05	400-36687	OUTER HOOK TRIM	外フックトリム	(1)
52	#04	226-12105	SWING HOOK	スイングフック	(1)
53	#05	400-36688	RATCH INNER HOOK TRIM	ラATCH内フックトリム	(1)
54	#04	226-12204	HOOK GIB	フックギブ	(1)
55	#05	400-36689	HOOK GIB TRIM	フックギブトリム	(1)
56		226-12303	NEEDLE POSITIONER	針位置器	(1)
57		226-12402	BOBBIN CASE TENSION SPRING	ボビンケーステンションスプリング	(1)
58		400-12085	OIL PLUG	オイルプラグ	(1)
59		101-12902	SCREW	ネジ	(2)
60		101-10609	TENSION ADJUSTING SCREW	テンション調整ネジ	(1)
61		101-10500	TENSION SPRING INSTALLING SCRE	テンションスプリング取付ネジ	(1)
62		101-12803	SCREW	ネジ	(2)
63	#01	226-14002	THRUST WASHER, A	スラストワッシャー A	2
64	#01	226-14101	THRUST WASHER, B	スラストワッシャー B	2
65	#01	226-14200	SPACER, C	スペーサー C	2
66	#01	101-12605	THRUST WASHER 1.7	スラストワッシャー 1.7	2
67	#01	101-12704	THRUST WASHER 1.8	スラストワッシャー 1.8	2

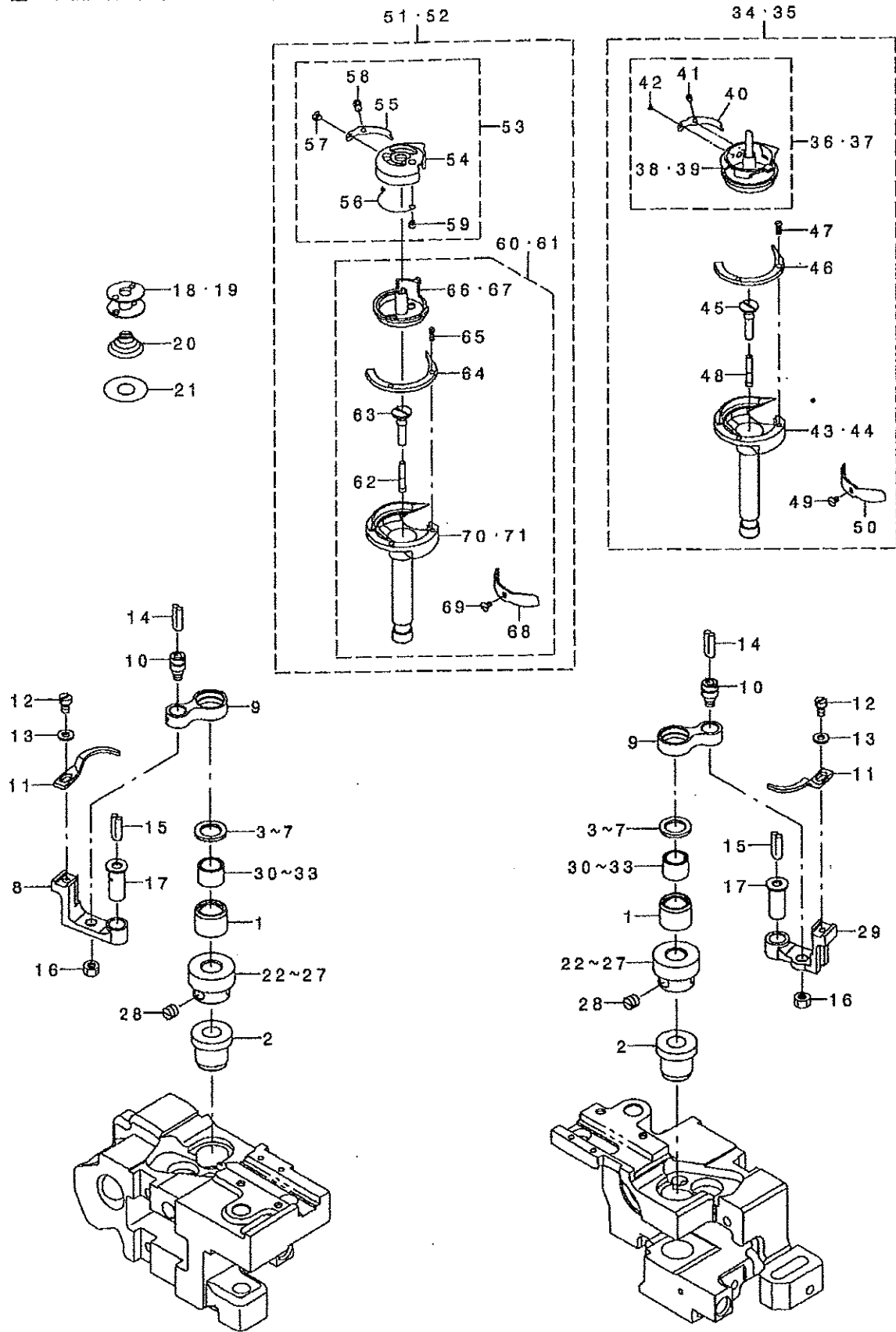
NOTE (注記)

#01...SELECTIVE PARTS
 #02...FOR LH-3568
 #03...FOR LH-3568-7
 #04...FOR LH-3528
 #05...FOR LH-3528-7
 #06...FOR LH-3528, LH-3568
 #07...FOR LH-3528-7, LH-3568-7
 #08...FOR LH-3568, LH-3568-7

選択部品
 LH-3568用
 LH-3568-7用
 LH-3528用
 LH-3528-7用
 LH-3528, LH-3568用
 LH-3528-7, LH-3568-7用
 LH-3568, LH-3568-7用

8. HOOK & HOOK DRIVING SHAFT COMPONENTS (2)(FOR LH-3578,3578-7,3588,3588-7)

釜・下軸関係 (2) (LH-3578,3578-7,3588,3588-7用)



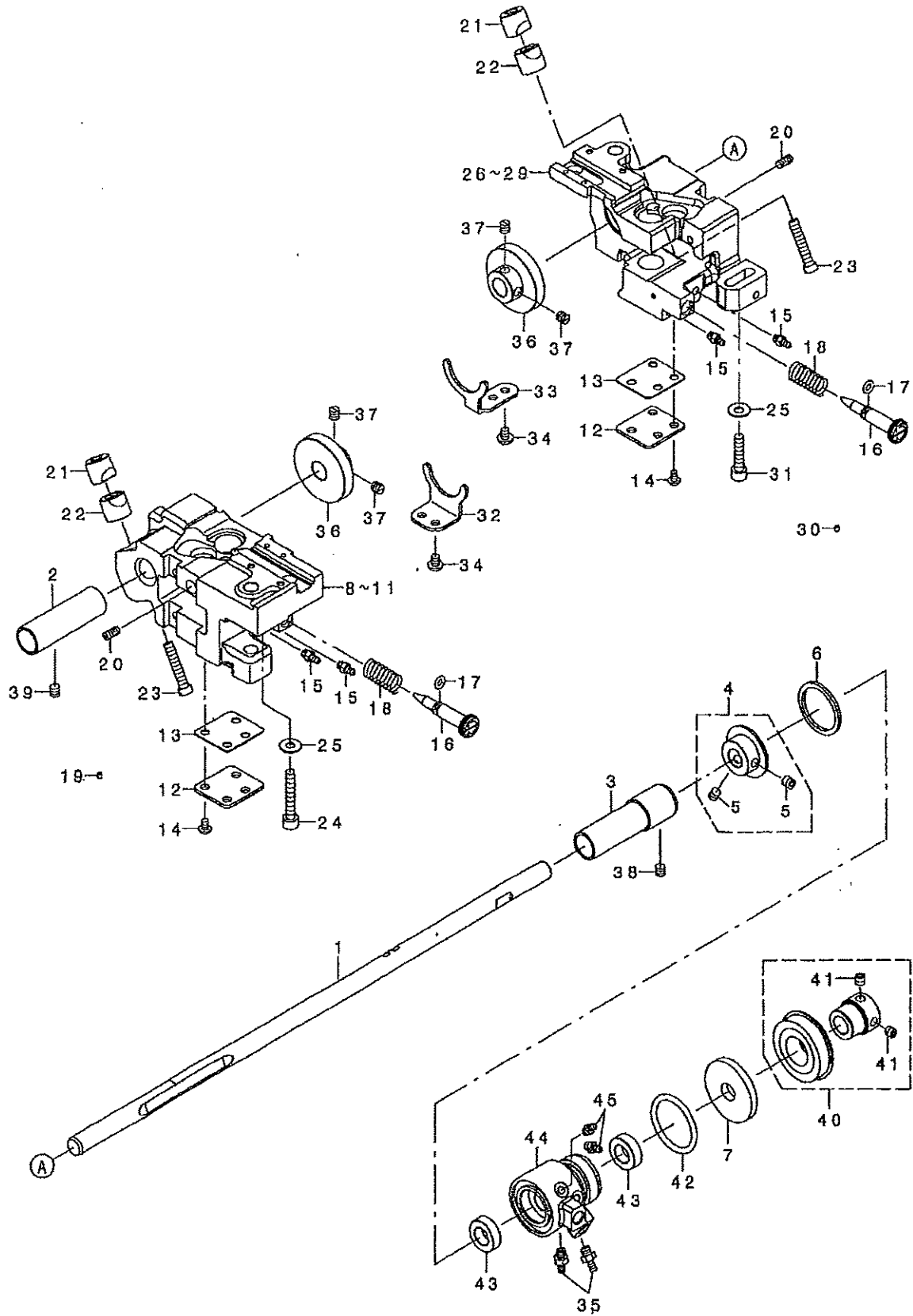
REF. NO.	NOTE	PART NO.	DESCRIPTION	Qty
1		400-50003	HOOK_SHAFT_BUSH_A	2
2		400-28491	HOOK_LOWER_BUSH	2
3	#01	101-11201	THRUST_WASHER, F	2
4	#01	101-09809	THRUST_WASHER, B	2
5	#01	101-12506	THRUST_WASHER 1.6	2
6	#01	101-11003	THRUST_WASHER 1.2	2
7	#01	101-11102	THRUST_WASHER 1.3	2
8		228-13109	OPENING_LEVER_CRANK	1
9		228-13000	BOBBIN_CASE_OPENING_LEVER_LINK	2
10		B1821-051-000	CRANK_SCREW_STUD	2
11		400-57361	OPENING_LEVER	2
12		SS-6090810-TP	SCREW 9/64-40 L=7.5	2
13		WP-0371016-SD	WASHER 3.7X8X1	2
14		CQ-2020000-00	OIL_WICK	0.3
15		CQ-2020000-00	OIL_WICK	0.3
16		NS-6110420-SP	NOT 11/64-40	2
17		B1823-051-000	OPENING_LEVER_CRANK_PIN	2
18☆	#02	B9117-563-000	BOBBIN	2
19☆	#03	102-31603	BOBBIN	2
20☆	#03	400-55358	SPRING_L	2
21☆	#03	228-19809	SHEET	2
22	#01	400-28560	HOOK_SHAFT_GEAR-A	2
23	#01	400-28561	HOOK_SHAFT_GEAR-B	2
24	#01	400-28562	HOOK_SHAFT_GEAR-C	2
25	#01	400-28563	HOOK_SHAFT_GEAR-D	2
26	#01	400-40549	HOOK_SHAFT_GEAR-E	2
27	#01	400-40560	HOOK_SHAFT_GEAR-F	2
28		SM-8060550-TP	SCREW M6 L=4.5	6
29		400-53371	INNERHOOK_GUIDE_ARM_R	1
30	#01	SB-3095301-0A	NEEDLE_BEARING 9.525X9.52	2
31	#01	SB-3095301-0B	NEEDLE_BEARING 9.525X9.52	2
32	#01	SB-3095301-0C	NEEDLE_BEARING 9.525X9.52	2
33	#01	SB-3095301-0D	BEARING	2
34☆	#04	400-43333	ASSY_RATCH_LARGEHOOK	1
35☆	#05	400-43334	ASSY_RATCH_LARGEHOOK(T)	1
36	#04	228-13356	SWING_HOOK_ASM_LARGE_HOOK	(1)
37	#05	400-43332	ASSY_RATCH_INNERHOOK(L)	(1)
38	#04	228-13406	SEWING_HOOK	(1)
39	#05	400-43331	RATCH_INNERHOOK(L)	(1)
40		228-13802	BOBBIN_CASE_TENSION_SPRING	(1)
41		101-10609	TENSION_ADJUSTING_SCREW	(1)
42		101-10500	TENSION_SPRING_INSTALLING_SCREW	(1)
43	#04	400-43330	OUTER_HOOK(L)	(1)
44	#05	400-18977	OUTER_HOOK(L)	(1)
45		400-12085	OIL_PLUG	(1)
46		400-18978	HOOK_GIB	(1)
47		101-12803	SCREW	(3)
48		114-04704	OIL_WICK	(1)
49		228-14008	SCREW	(1)
50		228-13703	NEEDLE_POSITIONER	(1)
51☆	#06	400-43335	ASSY_LARGEHOOK	1
52☆	#07	400-43336	ASSY_LARGEHOOK(T)	1
53	#08	228-27257	BOBBIN_CASE_ASM.	(1)
54		228-27208	BOBBIN_CASE	(1)
55		228-27406	SPRING(0.3)	(1)
56		228-27307	SPRING	(1)
57		101-10500	TENSION_SPRING_INSTALLING_SCREW	(1)
58		101-10609	TENSION_ADJUSTING_SCREW	(1)
59		SS-6560150-SH	SCREW 3/32-80 L=1.3	(1)
60	#06	400-59786	LARGE_HOOK_EXCEPT_CAP	(1)
61	#07	400-59787	LARGE_HOOK_TRIM_EXCEPT_CAP	(1)
62		114-04704	OIL_WICK	(1)
63		400-12085	OIL_PLUG	(1)
64		400-18978	HOOK_GIB	(1)
65		101-12803	SCREW	(1)
66	#06	228-27109	INNER_HOOK (SHUTTLE)	(1)
67	#07	400-34303	CAP_INNERHOOK	(1)
68		228-13703	NEEDLE_POSITIONER	(1)
69		228-14008	SCREW	(1)
70	#06	400-43330	OUTER_HOOK(L)	(1)
71	#07	400-18977	OUTER_HOOK(L)	(1)

NOTE (注記)

#01...	SELECTIVE PARTS	選択部品
#02...	FOR LH-3578, LH-3588	LH-3578, LH-3588用
#03...	FOR LH-3578-7, LH-3588-7	LH-3578-7, LH-3588-7用
#04...	FOR LH-3578	LH-3578用
#05...	FOR LH-3578-7	LH-3578-7用
#06...	FOR LH-3588	LH-3588用
#07...	FOR LH-3588-7	LH-3588-7用
#08...	FOR LH-3588, LH-3588-7	LH-3588, LH-3588-7用

9. HOOK & HOOK DRIVING SHAFT COMPONENTS (3)

釜・下軸関係 (3)

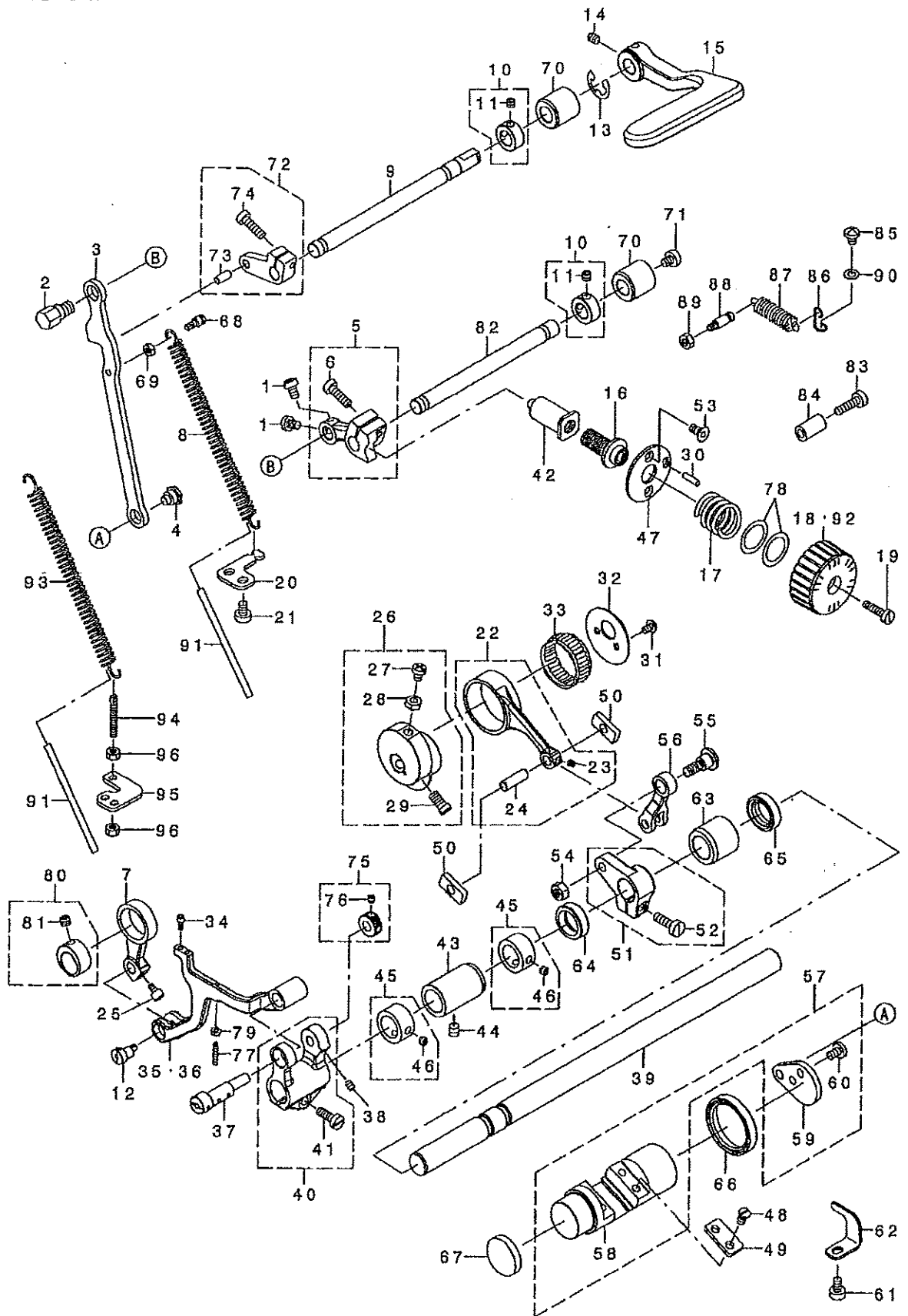


REF. NO	NOTE	PART NO.	DESCRIPTION	品名	Qty
1		400-28271	LOWER_SHAFT	シフトク	1
2		400-28851	LOWER_SHAFT_BUSH-F	シフトクマエメタル	1
3		400-30915	LOWER_SHAFT_BUSH-M	シフトクナカメタル	1
4		400-31351	ASSY-LOWER_SHAFT_COLLAR	シフトク スラストカフ(クミ)	1
5		SM-8060612-TP	SCREW M6 L=6	トメネツ M6 L=6	(2)
6		400-13061	THRUST_WASHER	スラストガネ	1
7		236-18804	OIL SEAL	シヨウケ オクワシ クウシロネイルター	1
8	#01	400-34969	HOOK_SHAFT_BASE_L	カマシクダ イ(ヒタリ)コカマ	1
9	#02	400-34971	HOOK_SHAFT_BASE_L-TRIM	イトキリカマシクダ イ(ヒタリ)コカマ	1
10	#03	400-43921	L-HOOK_SHAFT_BASE-L	オオカマカマシクダ イ(ヒタリ)	1
11	#04	400-43923	L-HOOK_SHAFT_BASE-L-TRIM	オオカマイトキリカマシクダ イ(ヒタリ)	1
12		400-22589	BOTTOM_COVER	カマシクダ イフタ	2
13		400-22590	BOTTOM_COVER_GASKET	カマシクダ イハ タキン	2
14		SM-4050855-SP	SCREW	ナハネツ M5 L=8	8
15		SQ-2050453-MZ	CONNECTING SCREW	ハ イア レンケツネツ	4
16		400-42141	OIL_ADJUSTING SCREW	オイルチヨウセツネツ	2
17		RO-0442401-00	RUBBER RING	Oリング	2
18		400-29570	OIL_ADJUSTING_SPRING	コリヨウチヨウセツハネ	2
19		TA-0290301-M0	PLUG	トメシ D=2.9X3.2 L=3	6
20		SM-8061002-TP	SCREW M5 L=10	トメネツ	2
21		101-09908	SADDLE INSTALLING BLOCK, UPPER	カマシクダ イトメ ウエ	2
22		101-12407	SADDLE INSTALLING BLOCK, LOWER	カマシクダ イトメ シタ	2
23		SS-6153040-SP	SCREW 15/64-28 L=30	ヒラネツ 15/64-28 L=30	2
24		SM-6063750-SP	SCREW M6 L=37	ヒラコネツ M6 L=37	1
25		WP-0621046-SP	WASHER	ヒラチ ガネ	2
26	#01	400-34970	HOOK_SHAFT_BASE_R	カマシクダ イ(ミキ)コカマ	1
27	#02	400-34972	HOOK_SHAFT_BASE_R-TRIM	イトキリカマシクダ イ(ミキ)コカマ	1
28	#03	400-43922	L-HOOK_SHAFT_BASE-R	オオカマカマシクダ イ(ミキ)	1
29	#04	400-43924	L-HOOK_SHAFT_BASE-R-TRIM	オオカマイトキリカマシクダ イ(ミキ)	1
30		TA-0290301-M0	PLUG	トメシ D=2.9X3.2 L=3	6
31		SM-6062500-SP	SCREW M6 L=26	ヒラコネツ M6 L=26	1
32		400-28495	GEAR_GUIDE-L	キヤカ イト(ヒタリ)	1
33		400-28496	GEAR_GUIDE-R	キヤカ イト(ミキ)	1
34		SM-4050655-SP	SCREW M5 L=6	ナハコネツ M5 L=6	4
35		SQ-2060451-MZ	CONNECTING SCREW	ハ イア レンケツネツ	2
36		400-28489	LOWER_SHAFT_GEAR	シフトクキヤ	2
37		SM-8060610-TP	SCREW	トメネツ M6 L=6	4
38		SM-8060612-TP	SCREW M6 L=6	トメネツ M6 L=6	1
39		SM-8060612-TP	SCREW M6 L=6	トメネツ M6 L=6	1
40		400-28656	ASSY-LOWER_SHAFT_BEARING	シフトクハ フリソク(クミ)	1
41		SM-8060612-TP	SCREW M6 L=6	トメネツ M6 L=6	(2)
42		RO-2573501-00	O-RING	Oリング	1
43		228-88507	OIL SEAL	オクワレハ -ツ クネイルター	2
44		400-11947	LOWER_PLUNGER_BUSH	シフトク ア フソク ヤメタル	1
45		SQ-2050453-MZ	CONNECTING SCREW	ハ イア レンケツネツ	2

NOTE (注記) #01... FOR LH-3528, LH-3568 LH-3528, LH-3568用
#02... FOR LH-3528-7, LH-3568-7 LH-3528-7, LH-3568-7用
#03... FOR LH-3578, LH-3588 LH-3578, LH-3588用
#04... FOR LH-3578-7, LH-3588-7 LH-3578-7, LH-3588-7用

10. FEED MECHANISM COMPONENTS

送り関係



REF. NO.	NOTE	PART NO.	DESCRIPTION	QTY
1		SM-0050800-SP	SCREW M5 L=8	2
2		400-28283	FEED REGULATOR ROD PIN	1
3		400-28284	FEED REGULATOR ROD	1
4		SD-0900426-TP	SHOULDER SCREW D=9 H=4.2	1
5		400-28854	ASSY FEED REGULATOR	1
6		SM-6061600-SP	SCREW M5 L=16	(1)
7		400-11935	VERTICAL FEED LINK	1
8	#01	226-10307	FEED REGULATOR SPRING	1
9		400-28286	REVERSE FEED SHAFT	1
10		400-32269	THRUST COLLAR	1
11		SM-8050412-TP	SCREW M5 L=4	(2)
12		400-26673	VERTICAL F LINK SHAFT_M	1
13	#02	RE-0800000-KG	E-RING B	1
14	#01	SM-80506A2-TP	SCREW M5 L=6	1
15		400-33885	REVERSE FEED LEVER	1
16		235-33904	FEED ADJUSTING SCREW	1
17		235-34506	FEED DIAL SPRING	1
18		400-36433	FEED DIAL	1
19		SS-6121860-SP	SCREW 3/16-28 L=18	1
20	#01	400-29078	SPRING BRACKET	1
21		SM-8050800-SP	SCREW M5 L=8	2
22		400-32283	ASSY FEED ROCKER ROD	1
23		SM-8040412-TP	SET SCREW M4 L=4	(1)
24		B1853-470-000	PIN	(1)
25		SM-6750690-TP	SCREW M3.5 L=6	1
26		400-31348	ASSY FD ECCENTRIC CAM	1
27		SM-4051255-SP	SCREW M5 L=12	(1)
28		NK-6050001-SP	NUT M5	(1)
29		SM-6061150-TP	SCREW M6 L=11	(2)
30		PS-0300122-KH	SPRING PIN 3X12	1
31		SM-4040655-SP	SCREW M4 L=6	2
32		400-11906	FD CAM LID	1
33		B1836-581-800	NEEDLE BEARING B	1
34		SM-6030672-TP	SCREW M3 L=6	2
35	#01	408-11946	FEED BASE	1
36	#02	400-11934	FEED BASE TRIM	1
37		400-11932	FEED BASE SHAFT	1
38		SM-8040812-TP	SCREW M4 L=8	1
39		400-28279	FEED ROCKER SHAFT	1
40		400-31349	ASSY FEED BASE ARM	1
41		SM-6061400-SP	SCREW	(1)
42		235-33805	FEED ADJUSTING SHAFT	1
43		400-11939	FEED SHAFT BUSH F	1
44		SM-8080612-TP	SCREW M6 L=6	1
45		400-32268	THRUST COLLAR	2
46		SM-8050412-TP	SCREW M5 L=4	(2)
47		400-63172	FEED ADJUSTING BASE	1
48		SM-7050850-TP	SCREW M5 L=8	4
49		400-28277	FEED ADJUSTING PLATE	2
50		400-35704	FEED ADJUSTING BLOCK	2
51		400-28852	ASSY FEED ROCKER ARM	1
52		SM-6051600-SP	SCREW M5 L=16	(1)
53		SM-1051052-TM	SCREW M5 L=10	2
54		NH-6060001-CP	NUT M6	1
55		SD-0900706-TP	SHOULDER SCREW D=9 H=7	1
56		400-36678	FEED ROCKER ARM ROD	1
57		400-28274	ASSY FEED ADJUSTING	1
58		400-28275	FEED ADJUSTING	(1)
59		400-28276	FEED ADJUSTING ARM	(1)
60		SM-7050850-TP	SCREW M5 L=8	(2)
61		SM-6050800-SP	SCREW M5 L=8	1
62		400-28281	FEED ADJUSTING STOPPER	1
63		400-28280	FEED SHAFT BUSH R	1
64		400-13362	FEED SHAFT OIL SEAL A	1
65		400-25316	FEED SHAFT OIL SEAL B	1
66		400-28291	FEED ADJUSTING OIL SEAL	1
67		400-28294	FEED ADJUSTING CAP	1
68		400-11926	SPRING BOOK	1
69		NH-6040001-SP	NUT M4X0.7	1
70		400-28287	REVERSE FEED SHAFT BUSH	2
71		SM-6050850-TP	SCREW M5 L=8	1
72		400-28855	ASSY REVERSE FEED ARM	1
73		134-19405	MAIN FEED ROCKER PIN	(1)
74		SM-6051600-SP	SCREW M5 L=16	(1)
75		400-31350	ASSY FEED BASE SHAFT COLLAR	1
76		SM-8040412-TP	SET SCREW M4 L=4	(2)
77		SM-8031612-TP	SET SCREW M3X16	1
78		WP-1751618-SD	WASHER 17.5X24X1.6	2
79		NH-6030001-SM	NUT	1
80		400-33668	ASSY VERTICAL FEED CAM	1
81		SM-8060552-TP	SCREW M6 L=5	(1)
82		400-28285	FEED REGULATOR SHAFT	1
83		SM-6051850-TP	SCREW M5 L=18	1
84		229-52501	BACK LEVER STOPPER	1
85		SM-4050655-SP	SCREW M5 L=6	1
86		228-55003	SPRING SUSPENSION	1
87		400-40924	SPRING	1
88		400-29257	SPRING HOOK B	1
89		NH-6050001-SP	NUT M5	1
90		WP-0520656-SA	WASHER 5.2X9.5X0.6	1
91		BT-0500300-EA	OIL TUBE	0.05
92	#03	400-60584	FEED DIAL 4	1
93	#02	400-62517	FEED ADJUSTING SPRING	1
94	#02	B1649-161-000	TENSION SPRING ADJUSTING SCREW	1
95	#02	400-62489	SPRING ADJUST BRACKET	1
96	#02	NS-6110420-SP	NUT 11/64-40	2

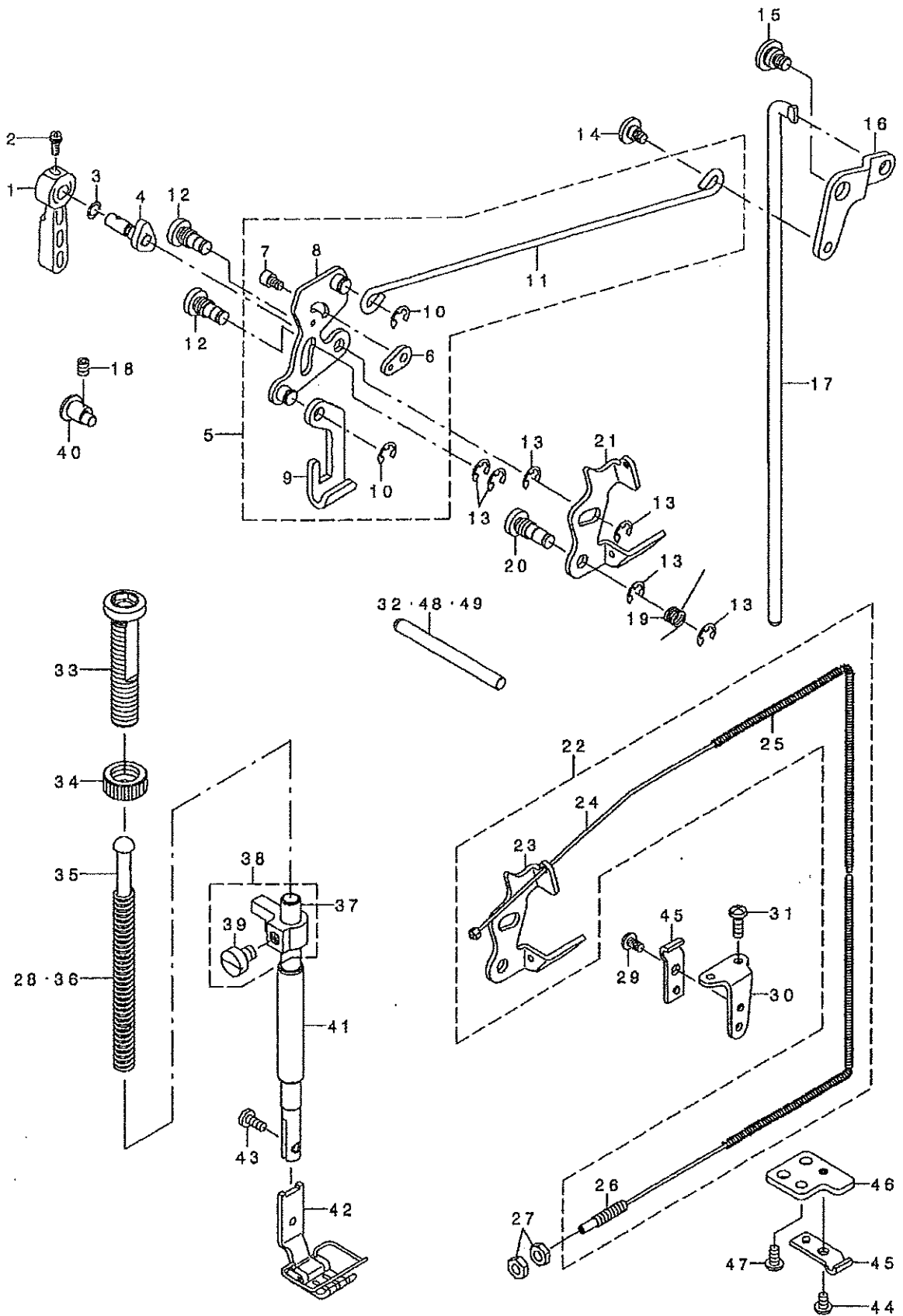
NOTE (注記)

#01... FOR LH-3528, LH-3568,
LH-3578, LH-3588
#02... FOR LH-3528-7, LH-3568-7,
LH-3578-7, LH-3588-7
#03... FOR LH-3528-0B, LH-3528(TYPE F)

LH-3528, LH-3568,
LH-3578, LH-3588用
LH-3528-7, LH-3568-7,
LH-3578-7, LH-3588-7用
LH-3528-0B, LH-3528用(F仕様)

11. PRESSER BAR & TENSION RELEASE COMPONENTS

押さえ棒・糸ゆるめ関係



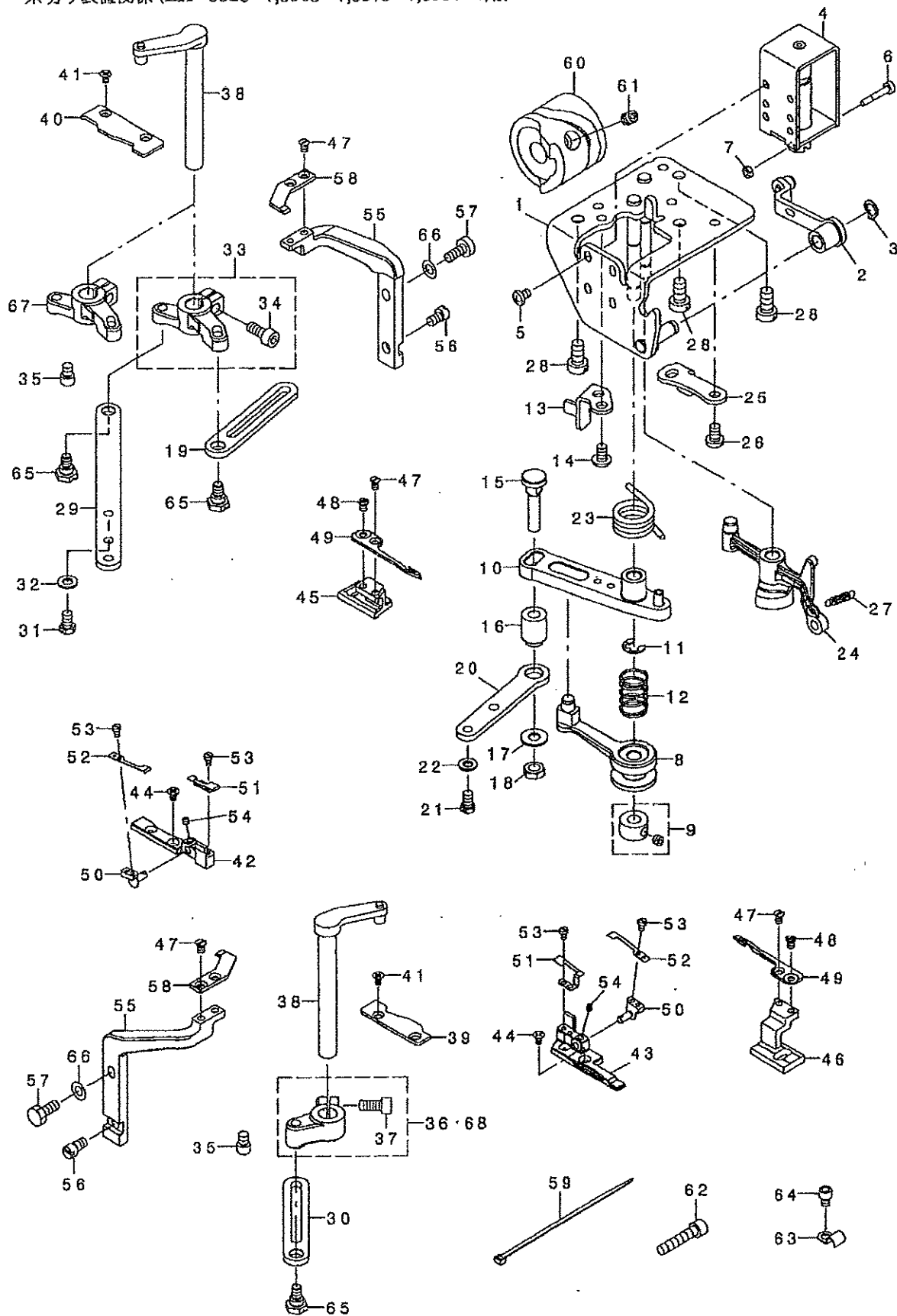
REF. NO.	NOTE	PART NO.	DESCRIPTION	ヒョウメイ	Qty
1		229-07802	HAND LIFTER	オチエアケレハ-	1
2		B1521-555-000	SCREW	オチエアケレハ- トメネジ	1
3		RO-0371801-00	RUBBER RING	Oリング	1
4		400-35394	HAND_LIFTER_CAM_ASM.	オチエアケ カム	1
5		400-57398	ASSY LIFTING CONNECT ROD	ヒチアケ ヒキアケ ココネ ククミ	1
6		236-09605	PLATE	イトルメキリカエイタ	(1)
7		SM-6040602-TP	SCREW M4 L=6	ロツカクアサネ ね M4X0.7 L=6	(1)
8		400-51384	ASSY HAND LIFTER LINK	ヒキアケ リンク	(1)
9		229-08008	LIFTING PLATE	ヒキアケ イタ	(1)
10		RE-0500000-K0	E-RING	Eが タトメリ 5	(2)
11		400-35151	LIFTING_CONNECTING_ROD	ヒチアケ ココネ ク	(1)
12		400-28546	LINK_SHAFT	ヒキアケ リンク	2
13		RE-0500000-K0	E-RING	Eが タトメリ 5	6
14		SD-0640367-TP	SHOULDER SCREW	ダ' ソネジ' D=6.35 H=3.5	1
15		SD-0900356-TP	SHOULDER SCREW D=9 H=3.5	ダ' ソネジ' D=9 H=3.5	1
16		400-35181	LIFTING_LEVER_LINK	ヒチアケ リンク	1
17		400-28268	CONNECTING_ROD_A	ヒチアケ リンク	1
18		SM-8050612-TP	SCREW M5X6	トメネジ' M5X0.8 L=6	1
19		400-53231	RETURN_SPRING	イトルメイタモト' ウハ' ネ	1
20		400-28546	TENSION_RELEASE_SHAFT	イトルメイタ' ク	1
21	#01	400-35298	TENSION_RELEASE_PLATE	イトルメイタ	1
22	#02	400-35828	ASSY_TENSION_RELEASE_PLATE	イトルメイタクミ	1
23		400-35298	TENSION_RELEASE_PLATE	イトルメイタ	(1)
24		400-33434	THREAD_TENSION_RELEASE_WIRE	ワイヤ-ケ-ア' 糸' ヲコ' リ	(1)
25		400-33435	WIRE_TUBE	ワイヤ-チューブ	(1)
26		D3159-555-B00	SET SCREW	ワイヤ- セットネジ'	(1)
27	#02	NS-6620310-SP	NUT 3/16-32	ロツカクナツト 3/16-32	2
28	#05	228-07406	PRESSER SPRING	オチエチヨウセツバ' ネ	1
29	#02	SS-4110715-SP	SCREW 11/64-40 L=7	ナハ' ネジ' 11/64-40 L=7	1
30	#02	D3163-555-B00-A	FLEXIBLE TUBE SUPPORT PLATE	フレキシブル' トリツケダ' イ	1
31	#02	SS-4111215-SP	SCREW 11/64-40 L=12	ナハ' ネジ' 11/64-40 L=12	2
32		400-34974	TENSION_RELEASE_SHAFT	チラウカクオチエ' ク	1
33		236-09209	PRESSER SPRING REGULATOR	オチエチヨウセツバ' ネ	1
34		228-07604	PRESSER SPRING REGULATOR NUT	オチエチヨウセツバ' ナツト	1
35		229-07703	PRESSER GUIDE BAR	オチエアソナイ' ク	1
36	#04	B1505-227-T00-A	PRESSER SPRING	オチエ チヨウセツバ' ネ	1
37		400-28547	PRESSER BAR	オチエ' -	1
38		400-32272	ASSY_PRESSER BAR HOLDER	オチエ' ウダ' キクミ	1
39		SM-6060800-SP	SCREW M6 L=8	ヒラネジ' M6 L=8	(1)
40		400-28269	LIFTER ADJUSTING_PIN	ヒ' リヨウオチエアケ' チヨウセツバ' ヲ	1
41		236-09001	BUSHING	オチエ' ウメタ	1
42	#03	226-40551	PRESSER FOOT ASM.	チキリク' コカオチエ(クミ)1/4"(6.4	1
43		SS-7090910-TP	SCREW 9/64-40 L= 8.5	マハヒラネジ' 9/64-40 L=8.5	1
44	#02	SM-4040655-SP	SCREW M4 L=6	ナハ' コネジ' M4 L=6	1
45	#02	D3164-555-B00	OUTER PRESSER PLATE	アウター' オチエ	2
46	#02	400-50314	OUTER HOLDER_BASE	アウター' オチエ' タ' イ	1
47	#02	SM-4040855-SP	SCREW	ナハ' ネジ'	1
48	#06	400-56685	PUSH BAR	チラウカクオチエ' -	1
49	#06	400-56686	PUSH BAR	チラウカクオチエ' -	1

NOTE (注記)

#01...FOR LH-3528,LH-3568,
LH-3578,LH-3588
LH-3528,LH-3568,
LH-3578,LH-3588用
#02...FOR LH-3528-7,LH-3568-7,
LH-3578-7,LH-3588-7
LH-3528-7,LH-3568-7用
#03...EXCHANGING GAUGE PARTS
(SEE P.37 TO 45)
交換ゲージ部品
(37~45ページをご参照下さい。)
#04...TYPE A
A仕様
#05...EXCEPT TYPE A
A仕様を除く
#06...SELECTIVE PARTS
選択部品

12. THREAD TRIMMER MECHANISM COMPONENTS (FOR LH-3528-7,3568-7,3578-7,3588-7)

糸切り装置関係 (LH-3528-7,3568-7,3578-7,3588-7用)

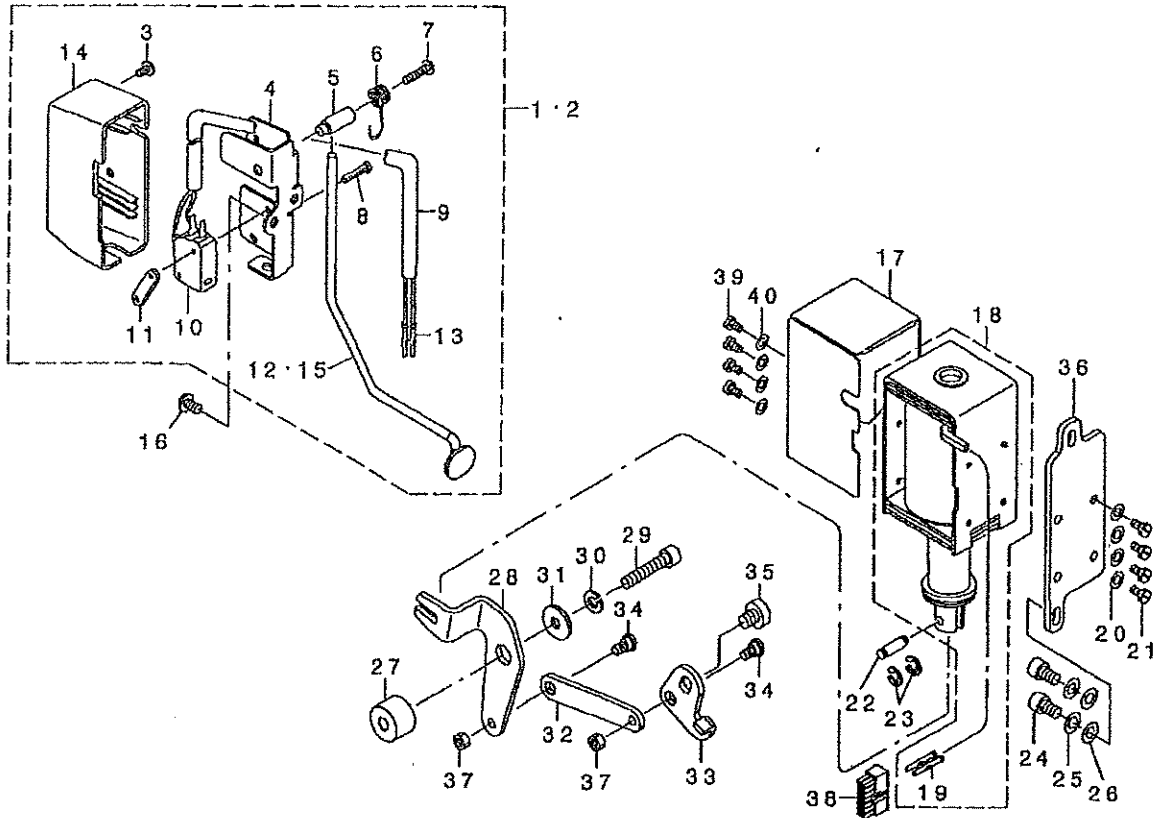


REF. NO	NOTE	PART NO.	DESCRIPTION	QTY
1		400-17353	ASSY. BASE PLATE	1
2		400-17394	ASSY. TRM. PUSH LINK	1
3		RC-0650811-KP	RETAINING RING	1
4		400-36359	THREAD TRIMMER SOLENOID	1
5		SM-4040601-SC	SCREW M4X0.7 L=6	4
6		235-42418	CLUTCH LINK PIN	1
7		NH-6030001-SC	NUT M3	2
8		400-17399	ASSY. TRM. ROLLER ARM	1
9		400-10434	THRUST COLLAR ASM.	1
10		110-40854	KNIFE DRIVING ARM ASM.	1
11		KE-0600000-KO	E-RING 6	1
12		400-17400	ROLLER ARM SPRING	1
13		400-17361	TRM. DRIVING ARM STOPPER	1
14		SM-4050855-SP	SCREW	2
15		400-17401	TRM. DRIVING LINK PIN	1
16		400-17402	TRM. DRIVING LINK BUSH	1
17		WP-0621046-SP	WASHER	1
18		NH-6060003-SC	NUT M6	1
19		400-12505	CONNECTING ROD B	1
20		400-12506	CONNECTING ROD C	1
21		SM-9050850-SP	SCREW	2
22		WP-0531000-SD	WASHER M5	2
23		400-17403	TRM. DRIVING ARM SPRING	1
24		400-15669	ASSY. THREAD RELEASE ARM	1
25		400-17362	RELEASE ARM STOPPER	1
26		SM-4050855-SP	SCREW	2
27		113-06901	SPRING	1
28		SM-6061200-SP	SCREW	3
29		400-12504	CONNECTING ROD A	1
30		400-12505	CONNECTING ROD B	1
31		SM-9050850-SP	SCREW	2
32		WP-0531000-SD	WASHER M5	2
33	#01	400-31352	ASSY. KNIFE DRIVING ARM R	1
34		SM-6051202-TP	SCREW M5X0.8 L=12	(1)
35		400-12503	KNIFE DRIVING ARM PIN	2
36	#01	400-36446	ASSY. KNIFE DRIVING ARM L	1
37		SM-6051202-TP	SCREW M5X0.8 L=12	(1)
38		400-12497	ASSY. KNIFE BASE SHAFT	2
39		400-12492	D. KNIFE BASE GUIDE L	1
40		400-21883	D. KNIFE BASE GUIDE R	1
41		SM-1030501-SN	SCREW M3 L=5	4
42		400-21899	D. KNIFE SUPPORT R	1
43		400-21898	D. KNIFE SUPPORT L	1
44		SM-1030501-SN	SCREW M3 L=5	4
45		400-12488	DRIVING KNIFE BASE R	1
46		400-12487	DRIVING KNIFE BASE L	1
47		SS-1090520-TP	SCREW 9/64-40 L=5	6
48		SS-6090580-TP	SCREW 9/64-40 L=4.5	2
49☆		400-12403	DRIVING KNIFE	2
50		400-12495	CLAMP SPRING BASE	2
51☆		400-44393	CLAMP	2
52☆		400-33160	CLAMP SPRING	2
53		SM-8850400-SP	SCREW M2.5 L=4	6
54		SM-8030312-TP	SCREW M3 L=3	2
55		400-12489	FIXED KNIFE BASE	2
56		400-12496	FIXED KNIFE BASE ADJUST	2
57		SM-9051203-CP	SCREW M5 L=12	2
58☆		400-12404	FIXED KNIFE	2
59		EA-9500801-00	CABLE BAND	1
60		400-13316	THREAD TRIMMER CAM	1
61		SM-8061010-TP	SCREW	2
62		SM-6052502-TP	SCREW M5X0.8 L=25	1
63		B3538-112-000	OIL RETURN TUBE HOLDER	1
64		SM-6040552-TP	SCREW M4 L=4.5	1
65		SD-0700346-TP	SHOULDER SCREW D=7 H=3.4	3
66		WP-0531000-SD	WASHER M5	2
67	#02	400-21726	KNIFE DRIVING ARM R LH	1
68	#02	400-26909	ASSY. KNIFE DRIVING ARM L	1

NOTE (注記) #01... FOR LH-3528-7, LH-3568-7 LH-3528-7, LH-3568-7用
#02... FOR LH-3578-7, LH-3588-7 LH-3578-7, LH-3588-7用

13. AUTOMATIC REVERSE FEED MECHANISM COMPONENTS

自動逆送り関係



REF. NO	NOTE	PART NO.	DESCRIPTION	品名	Qty
1	#01	400-33408	ASSY_REVERSE_FEED_SWITCH_28	キ ヲクシツスイツチ(タミ)28	1
2	#02	400-35167	ASSY_REVERSE_FEED_SWITCH_68	キ ヲクシツスイツチ(タミ)68	1
3		SS-4110815-SP	SCREW 11/64-40 L=6	ナメ コボリ 11/64-40 L=6	(1)
4		226-56508	REVERSE FEED SWITCH BASE	キ ヲクシツスイツチタ イ	(1)
5		229-54200	REVERSE FEED SWITCH SHAFT	キ ヲクシツスイツチシャフト	(1)
6		229-54309	REVERSE FEED SWITCH SPRING	キ ヲクシツスイツチバネ	(1)
7		SM-4041655-SP	SCREW M4 L=16	ナメ コボリ	(1)
8		SM-4031501-SC	SCREW M3 L=15	ナメ コボリ M3 L=15	(2)
9		NV-5000700-00	2-CORE CARRYRE CORD	2コア キヤリヤコード	(1.2)
10		MA-0019000-00	MICROSWITCH	マイクロスイッチ	(1)
11		229-54408	STOPPER PLATE	キ ヲクシツスイツチタ イ	(1)
12	#01	400-29027	REVERSE FEED SWITCH LEVER	キ ヲクシツスイツチレバ	(1)
13		HK-0346400-0B	PIN CONTACT	ピンコンタクト	(2)
14		229-54608	REVERSE FEED SWITCH COVER	キ ヲクシツスイツチカバ	(1)
15	#02	400-35168	REVERSE FEED SWITCH LEVER 68	キ ヲクシツスイツチレバ (カカハラキ)	(1)
16		SM-4050855-SP	SCREW	ナメ コボリ M5 L=8	2
17		101-61305	SOLENOID COVER	ソレノイドカバ	1
18		400-36360	REVERSE FEED SOLENOID	キ ヲクシツスイツチソレノイド	1
19		HK-0346400-0B	PIN CONTACT	ピンコンタクト	(2)
20		WP-0501016-SD	WASHER 5X10.5X1	ワシヤ 5 X 10.5 X 1	4
21		SS-9111010-3P	SCREW 11/64-40 L=9.5	ワシヤナメ コボリ 11/64-40 L=9.5	4
22		D2484-555-B00	LINK DRIVING MAGNET PIN	ワシヤ ナメ コボリ	1
23		RE-0400000-KO	E-RING 4	Eリング 4	2
24		SM-8061202-TP	SCREW M6 L=12	ワシヤナメ コボリ M6 L=12	2
25		WS-0831510-KP	SPRING WASHER	バネワシヤ	2
26		WP-0821016-SD	WASHER 6.2X13X1	ワシヤ 6 X 13 X 1	2
27		400-30856	LINK FULCULUM	ワシヤナメ コボリ	1
28		400-29350	REVERSE FEED LINK_L	キ ヲクシツスイツチ	1
29		SM-6063002-TP	SCREW M8 L=30	ワシヤナメ コボリ M8 L=30	1
30		WS-0610002-KP	SPRING WASHER	バネワシヤ	1
31		WP-0612056-SD	WASHER 6.1X18.5X2	ワシヤ 6 X 18.5 X 2	1
32		400-35278	REVERSE FEED LINK_B	キ ヲクシツスイツチ_B	1
33		400-35277	REVERSE FEED LINK_A	キ ヲクシツスイツチ_A	1
34		SD-0700328-TP	SHOULDER SCREW D=7 H=3.2	ダウコボリ D=7 H=3.2	2
35		SM-6050650-TP	SCREW M5 L=6	ワシヤナメ コボリ M5 L=6	1
36		101-19204	SOLENOID INSTALLING PLATE	ワシヤ ナメ コボリ	1
37		NM-6050001-SP	NUT M5	ワシヤナメ コボリ M5X0.8 192	2
38		HK-0346101-40	HOUSING 14P	ワシヤ ナメ コボリ 14P	1
39		SS-7110710-SP	SCREW 11/64-40 L=7	ワシヤナメ コボリ 11/64-40 L=7	4
40		WP-0501016-SD	WASHER 5X10.5X1	ワシヤ 5 X 10.5 X 1	4

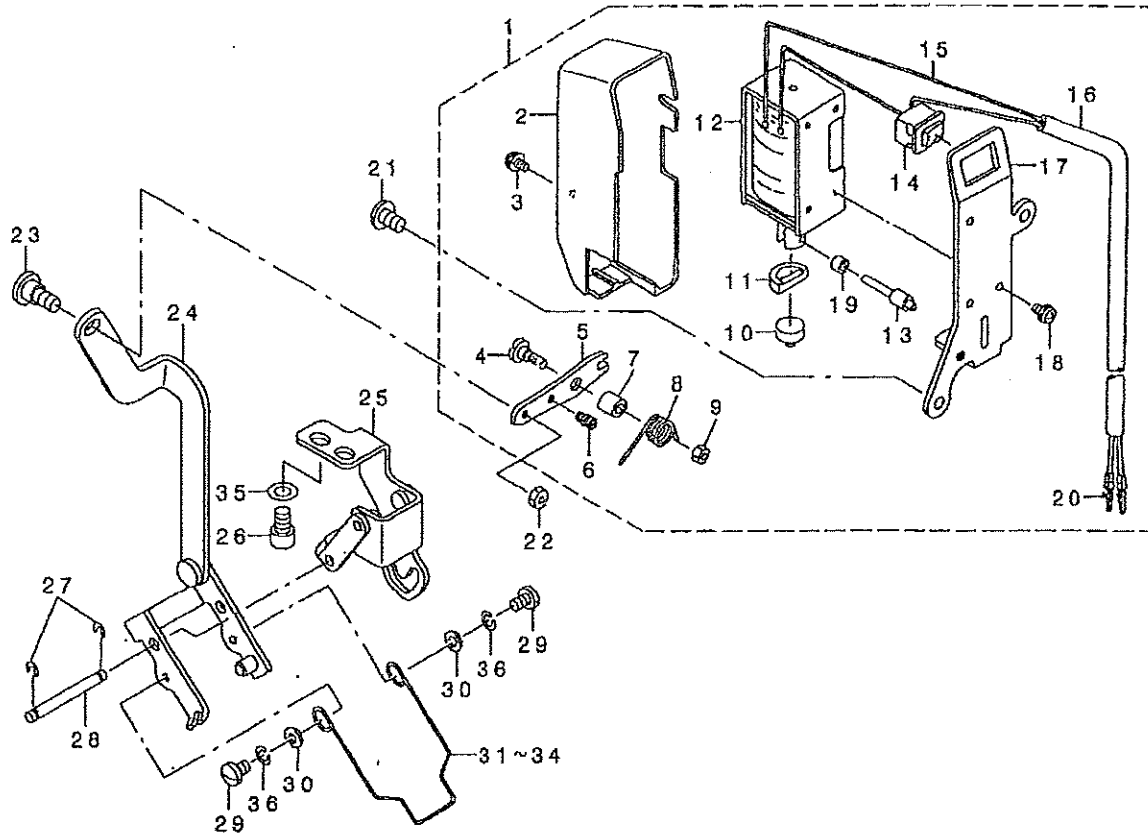
NOTE (注記)

#01...FOR LH-3528-0B, LH-3528-7, LH-3578-7
 #02...FOR LH-3568-7, LH-3588-7

LH-3528-0B, LH-3528-7, LH-3578-7用
 LH-3568-7, LH-3588-7用

14. WIPER MECHANISM COMPONENTS (FOR LH-3528-7,3568-7,3578-7,3588-7)

ワイパー装置関係 (LH-3528-7,3568-7,3578-7,3588-7用)



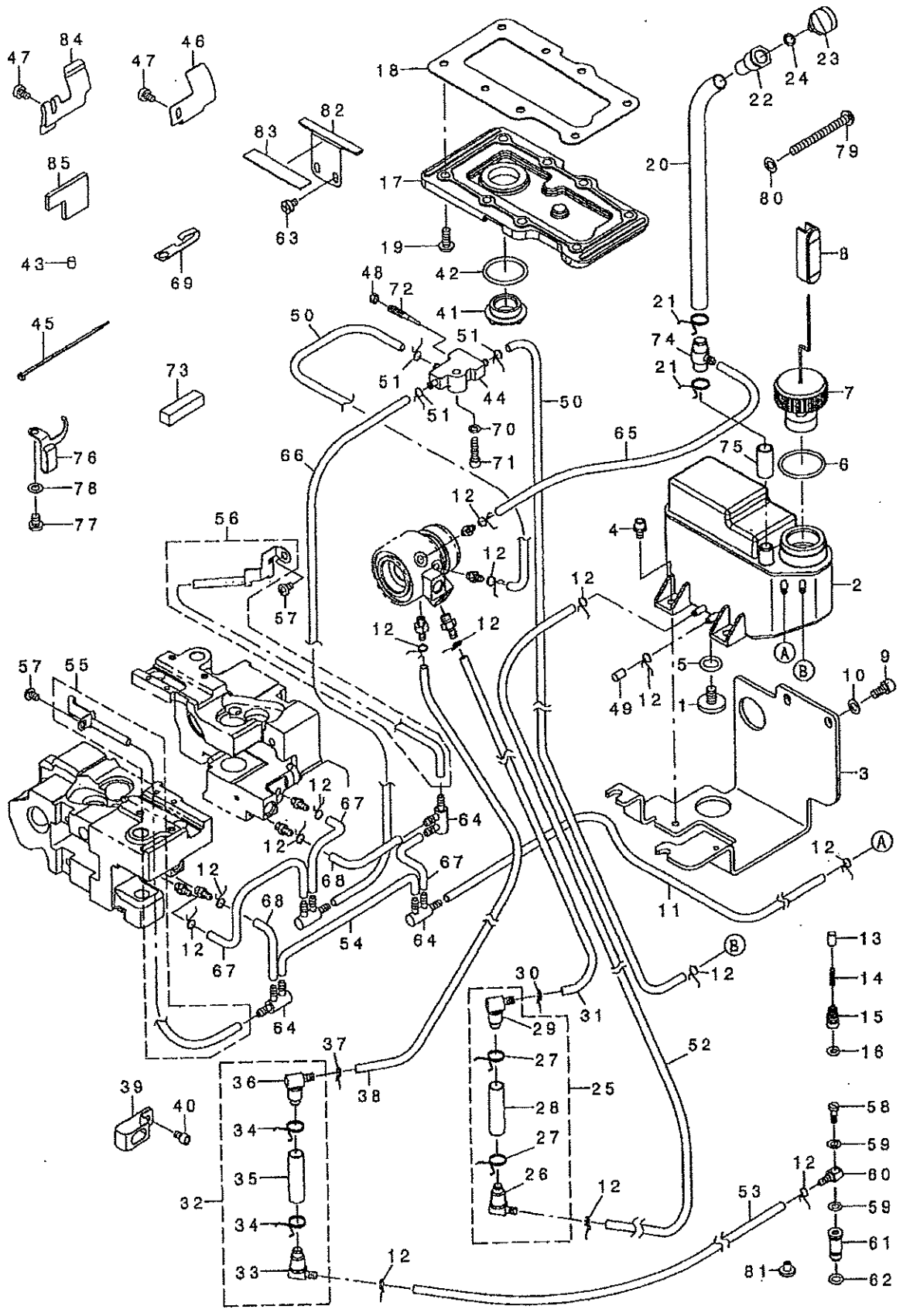
REF. NO	NOTE	PART NO.	DESCRIPTION	品名	Qty
1		400-33437	WIPER SOLENOID ASH.	ワイパーソレノイド	1
2		229-55504	WIPER COVER	ワイパーカバー	(1)
3		SL-4030831-SC	SCREW M3X6	ネジ M3 X6	(1)
4		SD-0650321-TP	HINGE SCREW D=6.5 H=3.2	ヒンジネジ D=6.5 H=3.2	(1)
5		226-57209	WIPER LINK, A	ワイパーリンク A	(1)
6		400-08186	SUSPENSION SCREW	サスペンションネジ	(1)
7		229-56205	WIPER HINGE SCREW COLLAR	ワイパーヒンジネジワッシャー	(1)
8		226-57308	WIPER SPRING	ワイパーバネ	(1)
9		NS-6118310-SP	NUT 11/64-40	ナット 11/64-40	(1)
10		229-55800	WIPER RUBBER A	ワイパーゴムの A	(1)
11		229-56007	WIPER RUBBER B	ワイパーゴムの B	(1)
12		400-30956	WIPER SOLENOID	ワイパーソレノイド	(1)
13		229-57104	WIPER SOLENOID SHAFT	ワイパーソレノイドシャフト	(1)
14		HA-0005900-00	POWER SWITCH	電源スイッチ	(1)
15		HW-2003900-00	ELECTRIC WIRE	電気ワイヤー 17-0.16 20	(0.04)
16		HW-5000700-00	2-CORE CABTIRE CORD	2芯ケーブル	(1.1)
17		400-42151	WIPER SOLENOID BASE	ワイパーソレノイドベース	(1)
18		SL-4030641-SE	SCREW	ネジ	(3)
19		229-57203	WIPER LINK COLLAR	ワイパーリンクワッシャー	(1)
20		HK-0346400-0B	PIN CONTACT	ピンコンタクト	(2)
21		SW-4050855-SP	SCREW	ネジ M5 L=8	2
22		NS-6080310-SP	NUT 9/64-40	ナット 9/64-40	1
23		SD-0500301-SP	HINGE SCREW D=5 H=3	ヒンジネジ D=5 H=3	1
24		400-28797	ASSY WIPER LINK_2	ワイパーリンク組立	1
25		400-28799	ASSY WIPER BASE	ワイパーベース組立	1
26		SW-6050802-TP	SCREW M5X0.7 L=8	ネジ M5 X 0.7 L=8	2
27		RE-0300000-K0	E-RING 3	Eリング 3	2
28		102-08700	WIPER LINK SHAFT	ワイパーリンクシャフト	1
29		SS-7090610-SP	SCREW 9/64-40 L=6	ネジ 9/64-40 L=6	2
30		WP-0371016-SD	WASHER 3.7X8X1	ワッシャー 3.7X8X1	2
31	#01	102-09203	WIPER 3/32"-3/8"	ワイパー	1
32	#01	102-09500	WIPER	ワイパー	1
33	#01	102-09807	WIPER	ワイパー	1
34	#01	102-09806	WIPER	ワイパー	1
35		WF-0531000-SD	WASHER M5	ワッシャー M5	2
36		WS-0410002-KP	SPRING WASHER	バネワッシャー	2

NOTE (注記) #01... SELECTIVE PARTS

選択部品

15. LUBRICATION COMPONENTS

給油関係



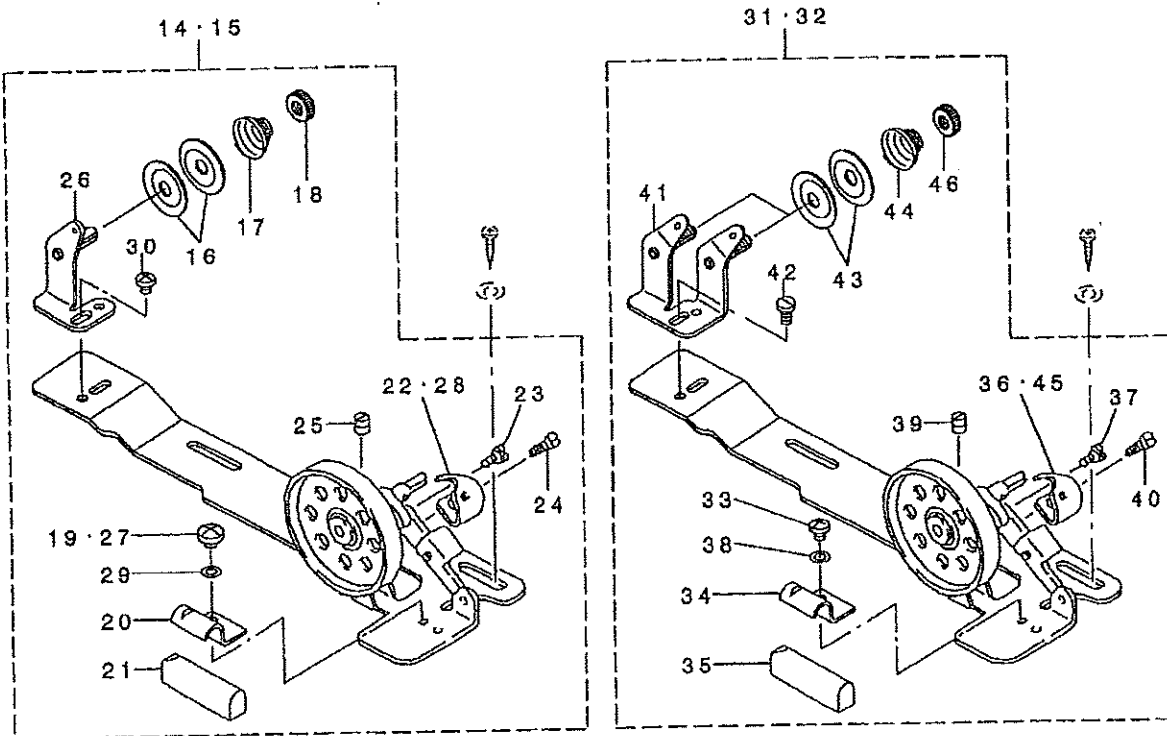
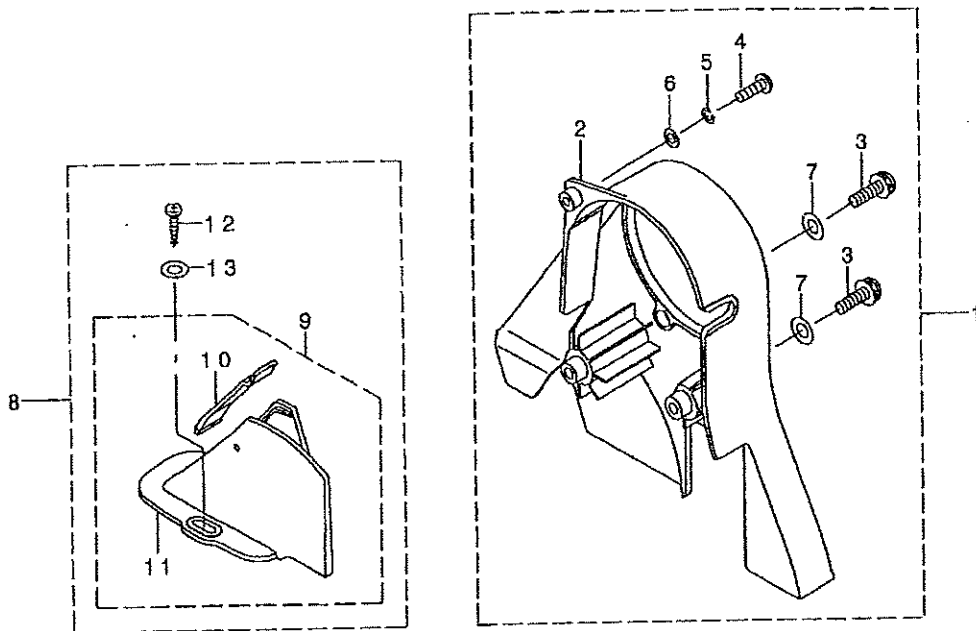
REF. NO	NOTE	PART NO.	DESCRIPTION	ヒ ヲ ヌ イ	Qty
1		400-28089	SCREEN	スクリーン	1
2		400-34026	OIL TANK ASM.	オイルタンクアセンブリ	1
3		400-34649	OIL TANK PLATE	オイルタンクプレート	1
4		SL-6040892-TN	BOLT	ボルト	2
5		RO-0882401-00	RUBBER RING	ゴムリング	1
6		RO-2192001-00	RUBBER RING	ゴムリング	1
7		400-28705	ASSY FLOATER	フローターアセンブリ	1
8		400-36167	OIL GAGE	オイルゲージ	1
9		SM-6051002-TP	SCREW M5X0.8 L=10	M5X0.8 L=10のネジ	2
10		WP-0550800-SP	WASHER 5.5X10X0.8	5.5X10X0.8のワッシャー	2
11		236-30007	TUBE	チューブ	0.18
12		236-29306	PIPE STOPPER A	パイプストッパーA	15
13		236-28803	PLUNGER	プランジャー	2
14		236-28802	PLUNGER SPRING	プランジャースプリング	2
15		400-13509	PLUNGER SCREW	プランジャーネジ	2
16		RO-0481901-00	RUBBER RING	ゴムリング	2
17		400-28773	BOX COVER	ボックスカバー	1
18		400-28774	BOX COVER PACKING	ボックスカバーパッキング	1
19		SM-4051255-SP	SCREW M5 L=12	M5 L=12のネジ	8
20		236-30106	TUBE B	チューブB	0.2
21		236-29405	PIPE STOPPER B	パイプストッパーB	2
22		400-29075	LUBRICATING INLET	潤滑口	1
23		400-00344	LUBRICATING INLET CAP	潤滑口キャップ	1
24		RO-0481901-00	RUBBER RING	ゴムリング	1
25		400-42287	ASSY OIL FILTER R	オイルフィルターアセンブリ	1
26		236-30801	OIL FILTER JOINT	オイルフィルタージョイント	(1)
27		236-29405	PIPE STOPPER B	パイプストッパーB	(2)
28		236-30106	TUBE B	チューブB	(0.04)
29		236-30650	OIL FILTER JOINT ASM.	オイルフィルタージョイントアセンブリ	(1)
30		236-29306	PIPE STOPPER A	パイプストッパーA	1
31		236-30007	TUBE	チューブ	0.05
32		400-42286	ASSY OIL FILTER L	オイルフィルターアセンブリ	1
33		236-30801	OIL FILTER JOINT	オイルフィルタージョイント	(1)
34		236-29405	PIPE STOPPER B	パイプストッパーB	(2)
35		236-30106	TUBE B	チューブB	(0.05)
36		236-30650	OIL FILTER JOINT ASM.	オイルフィルタージョイントアセンブリ	(1)
37		236-29306	PIPE STOPPER A	パイプストッパーA	1
38		236-30007	TUBE	チューブ	0.06
39		400-16749	TUBE HOLDER	チューブホルダー	1
40		SM-6040602-TP	SCREW M4 L=6	M4 L=6のネジ	1
41		400-34246	OIL SIGHT WINDOW	オイルシグナルウィンドウ	1
42		RO-1952401-00	RUBBER RING	ゴムリング	1
43		B3517-009-000	OIL FELT REAR	オイルフェルトリアー	1
44		400-32804	BASE	ベース	1
45		EA-9500801-00	CABLE BAND	ケーブルバンド	3
46	#01	400-39604	LUBRICATING GUIDE	潤滑ガイド	1
47		SM-6040650-TP	SCREW	ネジ	1
48		NS-6110310-SP	NUT 11/64-40	11/64-40のナット	1
49		236-40305	FLOATER CASE CAP	フローターケースキャップ	1
50		236-30007	TUBE	チューブ	0.23
51		101-26803	OIL TUBE HOLDER	オイルチューブホルダー	3
52		236-30007	TUBE	チューブ	0.2
53		236-30007	TUBE	チューブ	0.38
54		236-30007	TUBE	チューブ	0.07
55		400-32405	ASSY GEAR OIL WICK LEFT	ギアオイル Wick アセンブリ	1
56		400-32406	ASSY GEAR OIL WICK RIGHT	ギアオイル Wick アセンブリ	1
57		SM-4050655-SP	SCREW M5 L=6	M5 L=6のネジ	2
58		B3525-357-000	CONNECTING SCREW (B)	接続ネジ	1
59		B3534-012-000	GASKET	ガスケット	2
60		SQ-0000401-MZ	CONNECTING SCREW	接続ネジ	1
61		400-38333	SUCTION	吸引口	1
62		RO-0371801-00	RUBBER RING	ゴムリング	1
63		SM-6040655-TP	SCREW M4 L=6	M4 L=6のネジ	2
64		236-29504	DISTRIBUTOR	ディストリビュータ	4
65		236-30007	TUBE	チューブ	0.28
66		236-30007	TUBE	チューブ	0.33
67		236-30007	TUBE	チューブ	0.06
68		236-30007	TUBE	チューブ	0.03
69		262-30409	LUBRICATING OIL WICK STOPPER	潤滑オイル Wick ストッパー	1
70		WP-0430800-SD	WASHER M4	M4のワッシャー	1
71		SM-6041602-TP	SCREW M4X0.7 L=16	M4X0.7 L=16のネジ	1
72		B1834-512-000	OIL ADJUSTING SCREW	オイル調整ネジ	1
73		226-03708	FELT	フェルト	1
74		400-40809	OIL JOINT	オイルジョイント	1
75		236-30106	TUBE B	チューブB	0.02
76		400-35254	SPRING HOOK	スプリングフック	1
77		SM-4050655-SP	SCREW M5 L=6	M5 L=6のネジ	1
78		WP-0520856-SA	WASHER 5.2X9.5X0.6	5.2X9.5X0.6のワッシャー	1
79		SM-4056001-SP	SCREW M5 L=50	M5 L=50のネジ	1
80		WP-0531000-SD	WASHER M5	M5のワッシャー	1
81		400-42086	CAP	キャップ	1
82		400-41578	RUBBER PLATE	ゴムプレート	1
83		400-41579	OIL SHIELD PLATE	オイルシールドプレート	1
84	#02	232-04803	LUBRICATING GUIDE	潤滑ガイド	1
85	#02	400-39625	LUBRICATING FELT	潤滑フェルト	1

NOTE (注記) #01...FOR LH-3528-7, LH-3578-7
#02...FOR LH-3568-7, LH-3588-7

LH-3528-7, LH-3578-7用
LH-3568-7, LH-3588-7用

16. BELT COVER & BOBBIN WINDER COMPONENTS

ベルトカバー・糸巻き装置関係



REF. NO	NOTE	PART NO.	DESCRIPTION	ヒラシメイ	Qty
1		400-33409	ASSY_BELT_COVER	ハ' 肋カハ' -クミ	1
2		400-29905	BELT_COVER_A	ハ' 肋カハ' -A	(1)
3		SM-4062001-SC	SCREW M6 L=20	ナハ' コネツ' M6 L=20	(2)
4		SM-4051601-SC	SCREW M5X0.8 L=16	ナハ' コネツ' M5X0.8 L=16	(1)
5		WS-0521010-KN	SPRING WASHER 5.2X8.2X1	ハ' ネツ' カ' ネ 5.2X8.2X1	(1)
6		WP-0531001-SC	WASHER	ヒラサ' カ' ネ ミカ' キマル M5	(1)
7		WP-0641600-SC	WASHER 6.4X12.5X1.6	ヒラサ' カ' ネ	(2)
8		400-34267	ASSY_BELT_COVER_B	ハ' 肋カハ' -Bクミ	1
9		229-33659	BELT_COVER_B COMPL.	ハ' 肋カハ' -B(ケツコ' ウ)	(1)
10		229-33758	BELT_COVER_B LID ASM.	ハ' 肋カハ' -B7タ(クミ)	(1)
11		229-33600	BELT_COVER_B	ハ' 肋カハ' -B	(1)
12		SK-3412000-SC	WOOD SCREW D=4.1 L=20	マルモクネツ' D=4.1 L=20	(2)
13		WP-0501016-SC	WASHER 5X10.5X1	ヒラサ' カ' ネ 5X10.5X1	(2)
14	#01	229-27354	BOBBIN WINDER COMPL.	イトマキソウチ(ケツコ' ウ)	1
15	#03	114-15866	BOBBIN WINDER COMPL.	イトマキソウチ ケツコ' ウ	1
16		229-28907	THREAD TENSION DISK	イトチヨウツラ	(2)
17		229-29004	THREAD TENSION SPRING	イトチヨウツハ' ネ	(1)
18		229-28808	NUT	イトチヨウツナツト	(1)
19	#01	SS-7110350-SP	SCREW 11/64-40 L=3.5	マルヒラネツ' 11/64-40 L= 3.5	(1)
20		229-28402	CONTROL RUBBER HOLDING PLATE	セイキ' ヨコ' アサシエイタ	(1)
21		229-28303	CONTROL RUBBER	セイキ' ヨコ' A	(1)
22	#01	229-28105	BOBBIN PRESSER	ホ' ビ' ソオサエ	(1)
23		SD-0490261-SP	HINGE SCREW D=4.9 H=2.6	タ' ソネツ' D=4.9 H=2.6	(1)
24		SS-7081310-SP	SCREW 1/8-44 L=12.5	マルヒラネツ' 1/8-44 L=12.5	(1)
25		SS-8110510-SP	SCREW 11/64-40 L=5	トメネツ' 11/64-40 L=5	(1)
26		229-28501	THREAD TENSION POST BASE	イトマキイトチヨウツホ' ウタ' イ	(1)
27	#03	SS-4110515-SP	SCREW 11/64-40 L=5	ナハ' ネツ' 11/64-40 L=5	(1)
28	#03	114-15908	POSITIONING FINGER	ホ' ビ' ソオサエ	(1)
29	#03	WP-0480856-SP	WASHER 4.8X8.4X0.8	ヒラサ' カ' ネ 4.8X8.4X0.8	(1)
30		SS-4110515-SP	SCREW 11/64-40 L=5	ナハ' ネツ' 11/64-40 L=5	(1)
31	#04	228-37553	BOBBIN DEVICE	イトマキソウチ(ケツコ' ウ)(ホ' カ' ヲ)	1
32	#02	226-21155	THREAD WINDER ASM.	イトマキソウチ(ケツコ' ウ)	1
33		SS-4110515-SP	SCREW 11/64-40 L=5	ナハ' ネツ' 11/64-40 L=5	(1)
34		229-28402	CONTROL RUBBER HOLDING PLATE	セイキ' ヨコ' アサシエイタ	(1)
35		229-28303	CONTROL RUBBER	セイキ' ヨコ' A	(1)
36	#02	226-21106	BOBBIN PRESSER	ホ' ビ' ソオサエ	(1)
37		SD-0490261-SP	HINGE SCREW D=4.9 H=2.6	タ' ソネツ' D=4.9 H=2.6	(1)
38		WP-0480856-SP	WASHER 4.8X8.4X0.8	ヒラサ' カ' ネ 4.8X8.4X0.8	(1)
39		SM-8040502-TP	SCREW M4X0.7 L=5	トメネツ' M4X0.7 L=5	(1)
40		SS-7081310-SP	SCREW 1/8-44 L=12.5	マルヒラネツ' 1/8-44 L=12.5	(1)
41		226-21056	TENSION BAR BASE	イトマキイトチヨウツホ' ウタ' イ(ケツコ' ウ)	(1)
42		SS-7110840-SP	SCREW 11/64-40 L=7.8	マルヒラネツ' 11/64-40 L=7.8	(1)
43		229-28907	THREAD TENSION DISK	イトチヨウツラ	(4)
44		229-29004	THREAD TENSION SPRING	イトチヨウツハ' ネ	(2)
45	#04	228-37504	BOBBIN PRESSER	ホ' ビ' ソオサエ	(1)
46		229-28808	NUT	イトチヨウツナツト	(2)

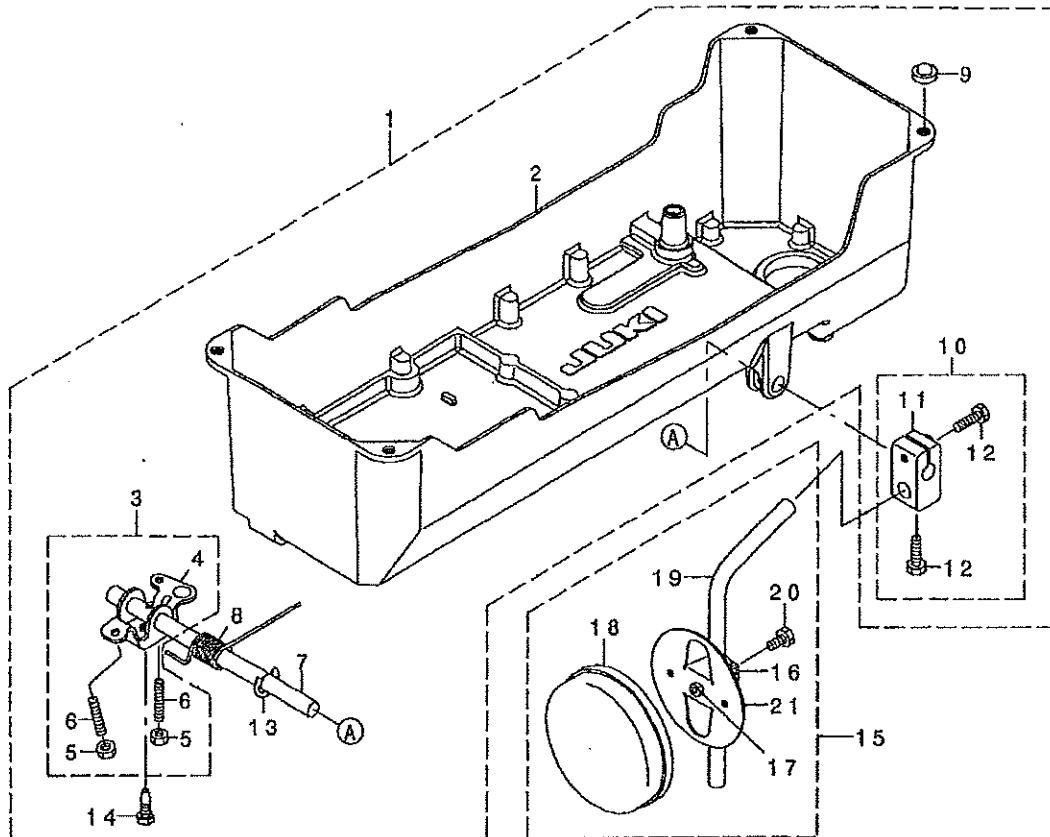
NOTE (注記)

#01... FOR LH-3528, LH-3528-7,
LH-3568, LH-3568-7
#02... FOR LH-3528, LH-3528-7,
LH-3568, LH-3568-7(JE)
#03... FOR LH-3578, LH-3578-7,
LH-3588, LH-3588-7
#04... FOR LH-3578, LH-3578-7,
LH-3588, LH-3588-7(JE)

LH-3528, LH-3528-7,
LH-3568, LH-3568-7用
LH-3528, LH-3528-7,
LH-3568, LH-3568-7(JE)用
LH-3578, LH-3578-7,
LH-3588, LH-3588-7用
LH-3578, LH-3578-7,
LH-3588, LH-3588-7(JE)用

17. BOTTOM COVER COMPONENTS

ボトムカバー関係



REF. NO	NOTE	PART NO.	DESCRIPTION	ヒョウメイ	Qty
1		400-32107	ASSY_BOTTOM_COVER_A	ボトムカバー-A組み	1
2		400-28778	BOTTOM_COVER	ボトムカバー-	(1)
3		400-34853	CONNECTING_ROD_ASM	ヒザアゲカイテンウデ組み	(1)
4		229-32107	KNEE_LIFTING_ROTATING_ARM	ヒザアゲカイテンウデ	(1)
5		NM-6060001-SE	NUT M6	ワツカクナツト M6 17.5	(2)
6		SM-8063012-TR	SCREW M6 L=30	トメネジ	(2)
7		400-25191	KNEE_PRESS_ROD	ヒザアテコナク	(1)
8		229-32206	SPRING	ヒザアゲカイテンウデハネ	(1)
9		B1116-210-D00	FRAME_SUPPORT_RUBBER	トウアササエゴA	(4)
10		229-32453	BRACKET_ASM.	ヒザアテタテウケトリツケウデ(クミ)	(1)
11		229-32404	BRACKET	ヒザアテタテウケトリツケウデ	(1)
12		229-34707	SCREW	ヒザアテタテウケトリツケウデツメネジ	(2)
13		RE-1000000-K0	E-RING 10	Eカクストメテ 10	(1)
14		SM-9061853-SR	SCREW M6 L=17.5	ワツカクネジ M6	(1)
15	#01	229-34251	KNEE_PAD_PLATE_ASM.	ヒザアテイタ(クミ)	1
16		229-34301	KNEE_PAD_PLATE_SUPPORT	ヒザアテイタササエ	(1)
17		229-34400	KNEE_PAD_PLATE_RUBBER	ヒザアテイタゴA	(1)
18		229-34509	KNEE_PAD_PLATE_COVER	ヒザアテイタカバー	(1)
19		229-34608	KNEE_PAD_UPRIGHT_SHAFT	ヒザアテタテウケ	(1)
20		SM-9061203-SE	SCREW M6 L=12	ワツカクネジ M6 L=12	(1)
21		229-34202	KNEE_PAD_PLATE	ヒザアテイタ	(1)

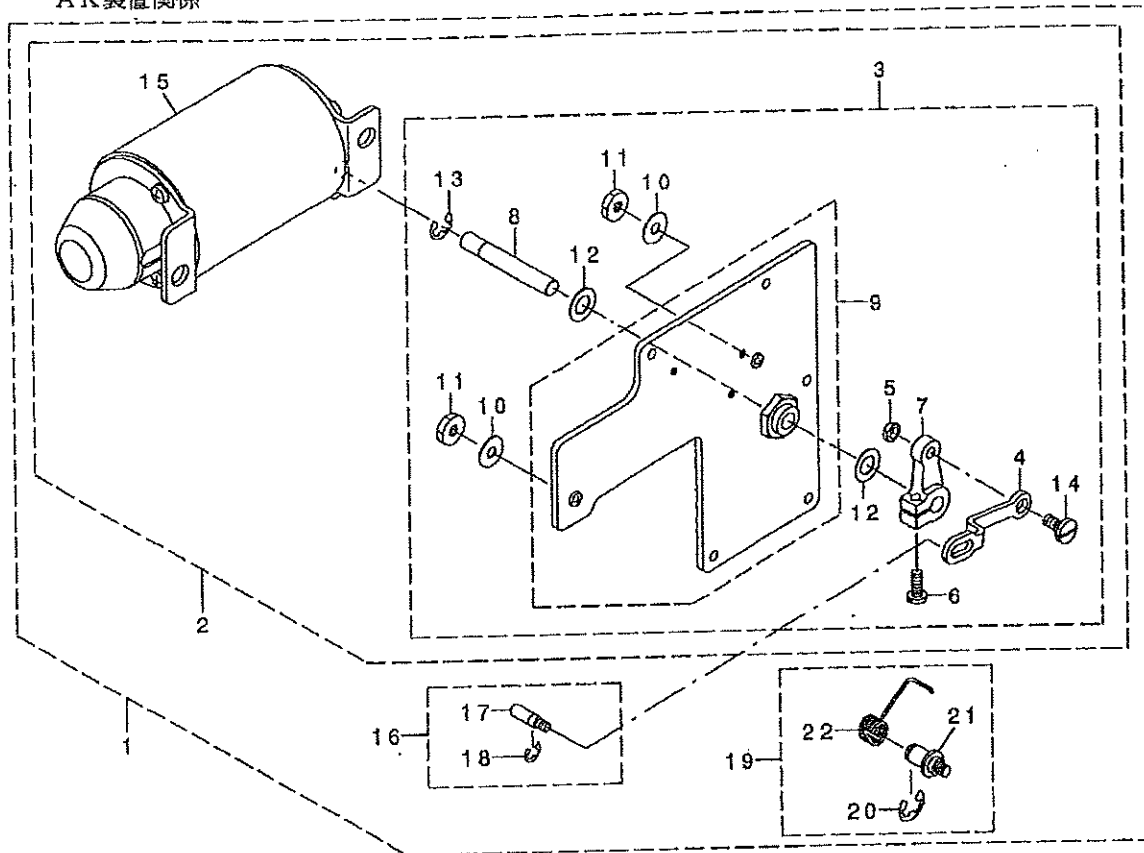
NOTE (注記)

#01...ACCESSORIE PARTS

付属品

18. AK DEVICE COMPONENTS

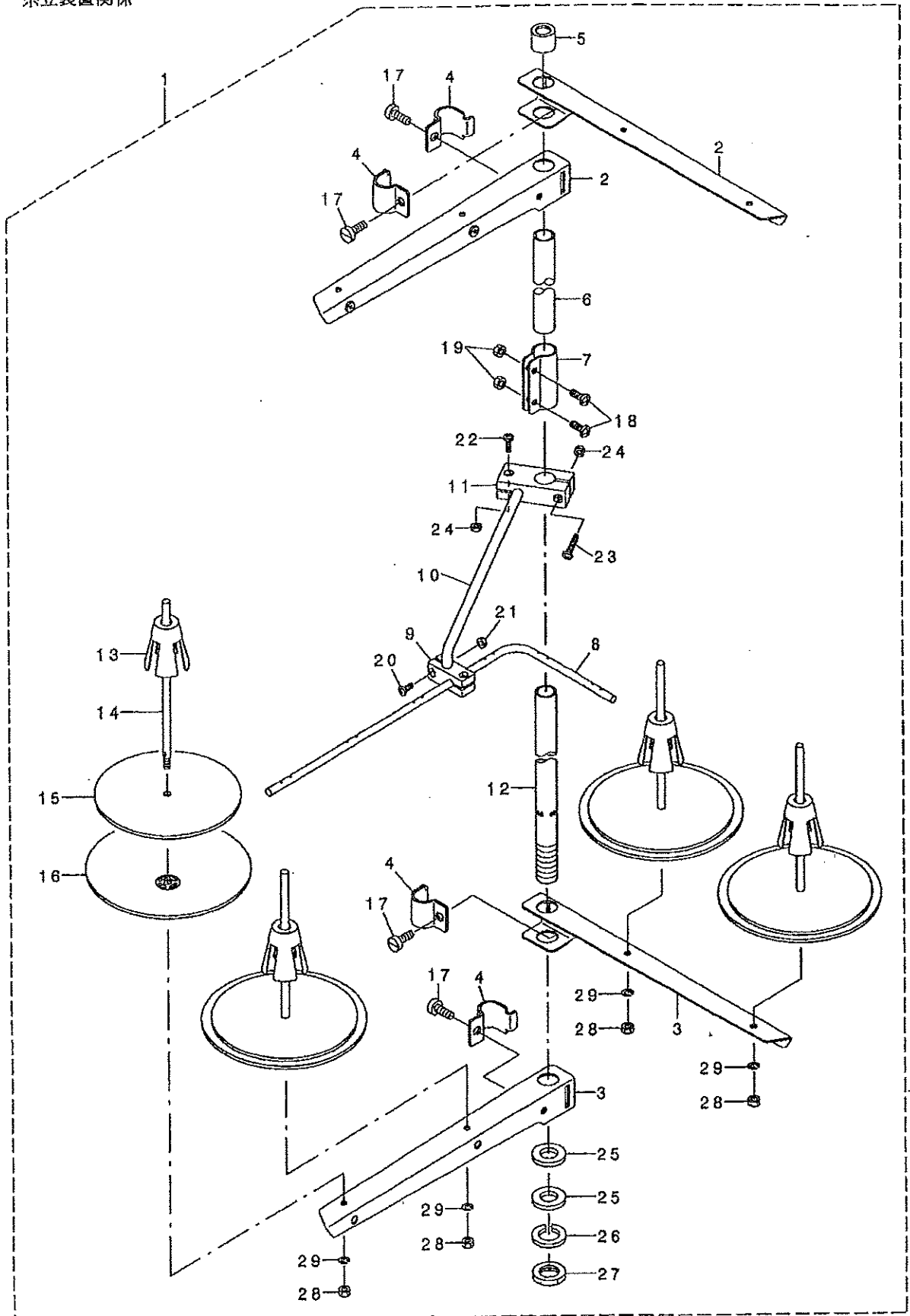
AK装置関係



REF. NO	NOTE	PART NO.	DESCRIPTION	キ ャ ン ン	Qty
1		400-55883	AK135	AK135	1
2		400-36221	ASSY_AK_DEVICE	AKソレノイド	(1)
3		400-36222	COMP_REAR_PLATE	マト'イタケツゴウ	(1)
4		400-30962	SOLENOID_LINK	ソレノイド'リンク	(1)
5		NS-6150310-SP	NUT 15/64-28	ロツカクナツト 15/64-28	(1)
6		SS-7121410-TP	SCREW 3/16-28 L=14	ワシ'ヒラネ' 3/16-28 L=14	(1)
7		GAK-33027000	SOLENOID ARM	ソレノイド'ウデ' B	(1)
8		229-91400	SOLENOID SHAFT	ソレノイド'シャク	(1)
9		400-36223	ASSY_REAR_PLATE	マト'イタクミ	(1)
10		WP-0621036-SP	WASHER	ヒラサ'ガ'ネ	(2)
11		NS-6150440-SP	NUT 15/64-28	ロツカクナツト 15/64-28	(2)
12		WP-1021016-SD	WASHER	ヒラサ'ガ'ネ 10.2X18X1	(2)
13		RE-0700000-KO	E-RING 7	Eカ'タメワ 7	(1)
14		SD-0800352-SP	HINGE SCREW D=8 H=3.5	タ'ソネ' D=8 H=3.5	(1)
15		GAK-A18300B0	AK SOLENOID ASM., B	AKソレノイド' (クミ) B	(1)
16		400-59504	ASSY SHAFT_PIN	ヒサ'アケ' ヨコネ' ウビ' ソクミ	(1)
17		400-30954	SHAFT_PIN	ヒサ'アケ' ヨコネ' ウビ' ソ	(1)
18		RE-0500000-KO	E-RING	Eカ'タメワ 5	(1)
19		400-59505	ASSY AK PIN	シ'ト' ウオチエ' アケ' ソククミ	(1)
20		RE-0800000-KO	E-SHAPED SNAP RING (8MM)	Eカ'タメワ 8	(1)
21		400-56385	AK_LINK_SHAFT	シ'ト' ウオチエ' アケ' リンク' テソ	(1)
22		400-56438	AK_RETURN_SPRING	シ'ト' ウオチエ' アケ' モト' ソハ' ネ	(1)

19. THREAD STAND COMPONENTS

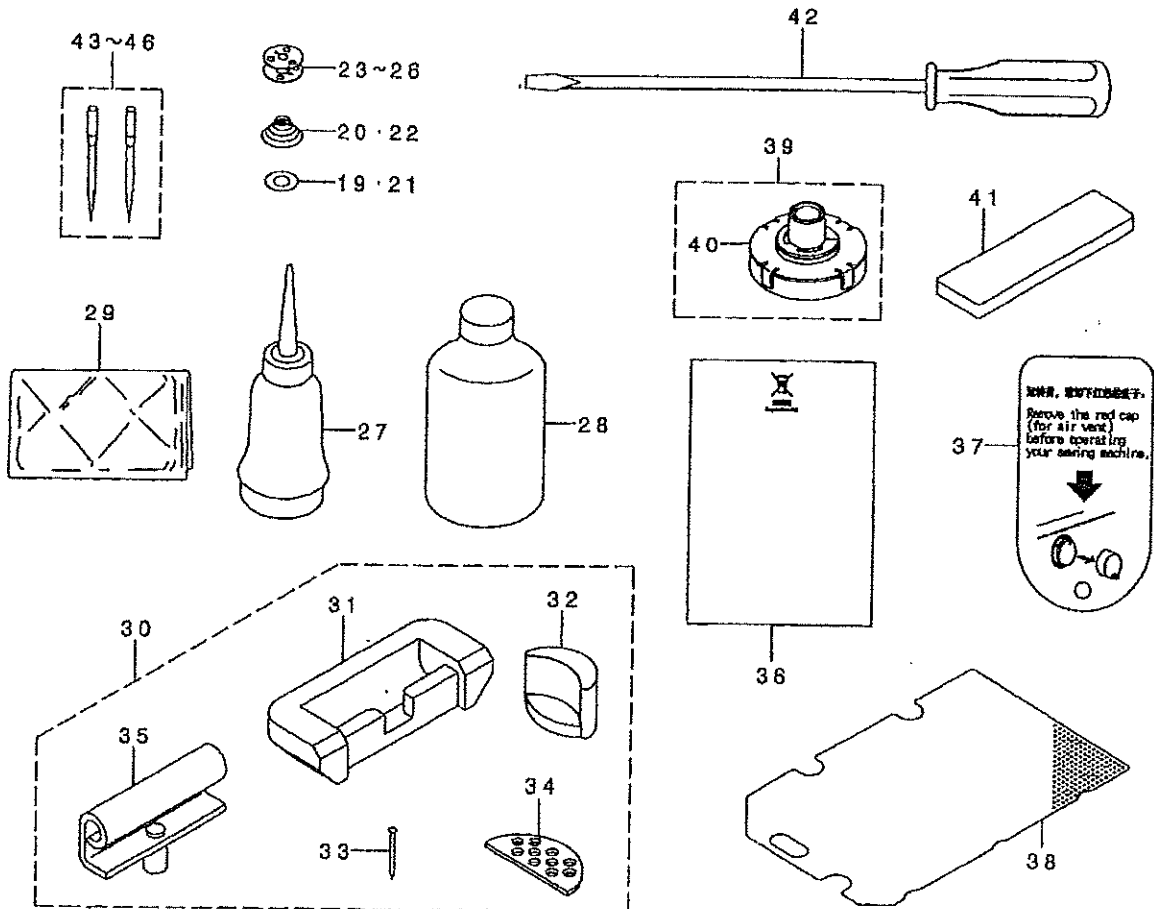
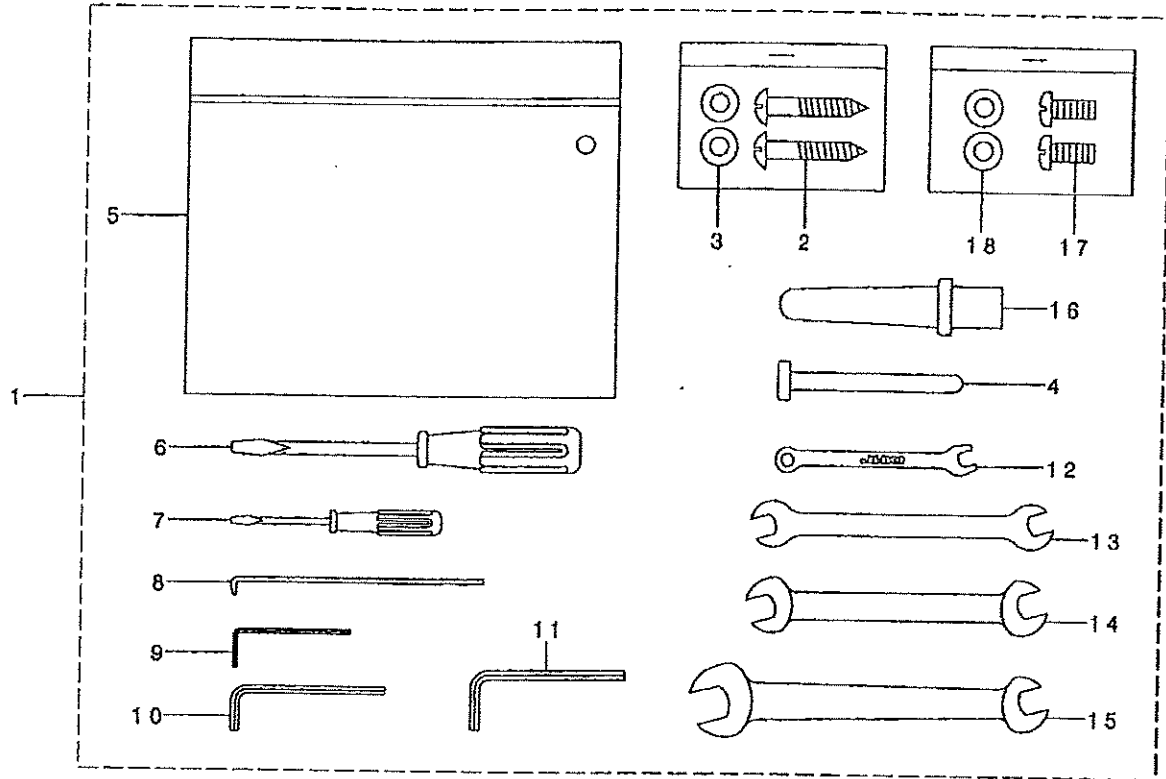
糸立装置関係



REF. NO	NOTE	PART NO.	DESCRIPTION	イロノメイ	Qty
1		131-67556	THREAD STANDING DEVICE ASM.	イトタテソウチ(クミ)	1
2		229-30556	SPOOL REST ARM ASM.	イトタテウデ(クミ)	(2)
3		229-30507	SPOOL REST ARM	イトタテウデ	(2)
4		229-30705	THREAD GUIDE ARM JOINT	イトタテホウ ウツメカナク	(4)
5		229-31406	THREAD STANDING ROD RUBBER CAP	イトタテホウ ウレホコ コノ A	(1)
6		229-30408	THREAD STANDING ROD, UPPER	イトタテホウ ウ(ウエ)	(1)
7		229-31307	THREAD STANDING ROD JOINT	イトタテホウ ウツキテ	(1)
8		131-67903	THREAD STANDING THREAD GUIDE	イトタテイトアンナイ	(1)
9		131-68000	THREAD STANDING GUIDE BASE	イトタテイトアンナイ(ウタ)ダ イ	(1)
10		131-68109	THREAD STANDING GUIDE ARM	イトタテイトアンナイウデ	(1)
11		131-68208	THREAD STANDING GUIDE ARM BASE	イトタテイトアンナイウデ ダ イ	(1)
12		229-30309	THREAD STANDING ROD, LOWER	イトタテホウ ウ(ウタ)	(1)
13		229-31109	SPOOL RETAINER	イトマキフレト メ	(4)
14		229-31000	SPOOL PIN	イトマキウケホウ ウ	(4)
15		229-30903	SPOOL REST CUSHION	イトマキウケサ ラクツツヨシ	(4)
16		229-30804	SPOOL REST	イトマキウケサ ラ	(4)
17		SM-6061610-SC	SCREW M6 L=16	ヒラコネツ M6 L=16	(4)
18		SM-4051405-SE	SCREW M5 L=14	ナハ コネツ M5 L=14	(2)
19		NM-6050001-SE	NUT M5	ロツカクナツ M5	(2)
20		SM-4041001-SC	SCREW M4X0.7 L=10	ナハ コネツ M4X0.7 L=10	(2)
21		NM-6040002-SE	NUT M4X0.7	ロツカクナツ M4X0.7 2ツ	(2)
22		SM-4041201-SC	SCREW M4 L=12	ナハ コネツ M4 L=12	(1)
23		SM-4042001-SC	SCREW M4 X 20	ナハ コネツ M4X0.7 L=20	(1)
24		NM-6040002-SE	NUT M4X0.7	ロツカクナツ M4X0.7 2ツ	(2)
25		WP-1612616-SE	WASHER 16X30X2.6	ヒラザ カネ	(2)
26		WS-1643202-KR	SPRING WASHER	ハネサ カネ 16.4X26.6X3.2	(1)
27		NM-6160511-SE	NUT M16X1.5	ロツカクナツ M16X1.5 1ツ	(1)
28		NM-6050001-SE	NUT M5	ロツカクナツ M5	(4)
29		WS-0510002-KN	SPRING WASHER	ハネサ カネ 5.1X9.2X1.3	(4)

20. ACCESSORIE PARTS COMPONENTS

付属品関係



REF. NO	NOTE	PART NO.	DESCRIPTION	キ ャ ン ン	Qty
1		400-33439	ACCESSORIE BAG_ASM.	フツ' クヒンハ' ヅククミ	1
2		SK-3482501-SE	WOOD SCREW D=4.8 L=25	ワルネクネツ' D=4.8 L=25	(2)
3		WP-0501016-SC	WASHER 5X10.5X1	ヒラサ' ガ' ネ 5X10.5X1	(2)
4		400-56705	KNEE LIFTER PRESSER_ROD	ヒサ' アケ' オツホ' ウ	(1)
5		229-32800	ACCESSORIE BAG	フツ' クヒンハ' ヅク	(1)
6		229-33105	SCREW DRIVER, MIDDLE	ト' ライハ' -(チヨウ)	(1)
7		229-33204	SCREW DRIVER, SMALL	ト' ライハ' -(ショウ)	(1)
8		B9101-490-000	DRIVER	ト' ライハ' -	(1)
9		124-55507	HEXAGONAL WRENCH, 1.5	ロツカクレンチ(1.5)	(1)
10		124-55705	HEXAGONAL WRENCH, 2.5	ロツカクレンチ(2.5)	(1)
11		B9141-372-000	HEXAGONAL WRENCH, LARGE	ロツカクホ' - スハ' ナ (タ' イ)	(1)
12		131-60106	SPANNER (5X6)	スハ' ナ(5X6)	(1)
13		260-34801	WRENCH (7X8)	リョウク' チスハ' ナ(7X8)	(1)
14		262-33700	WRENCH	リョウク' チスハ' ナ	(1)
15		260-34702	WRENCH (14X11)	リョウク' チスハ' ナ(タ' イ) 14X11	(1)
16		229-31604	FRAME SUPPORT BAR	トウア' ササエホ' ウ	(1)
17		SM-4051255-SP	SCREW, M5 L=12.	ナ' ネツ' M5 L=12	(2)
18		WP-0531000-SC	WASHER 5.3X10X1	ヒラサ' ガ' ネ 5.3X10X1	(2)
19☆	08	228-19809	SHEET	クウデンホ' ウラツト (オオガ' マ)	1
20☆	08	400-55358	SPRING_L	クウデンホ' ウラハ' ネ_L	1
21☆	01	226-53802	SHEET	クウデンホ' ウラツト	1
22☆	01	101-11508	SPRING	ク-デンホ' -ツハ' ネ	1
23☆	01	102-10805	HARD ALUMITE BOBBIN	コウツツアルマイト ホ' ビ' ヲ	2
24☆	02	B9117-051-000	BOBBIN	ホ' ビ' ヲ	2
25☆	08	102-31603	BOBBIN	ホ' ビ' ヲ	2
26☆	09	B9117-563-000	BOBBIN	ホ' ビ' ヲ	2
27		B9121-012-0A0	OILER ASM.	フツ' ラサツ クミ	1
28☆		MML-007600CA	JUKI MACHINE OIL 7	ツ' ユ-キマツソノイ#7	1
29		229-33303	VINYL COVER	トウア' ビ' ニ-ルカハ' -	1
30		229-26059	RUBBER HINGE ASM.	ラハ' -ヒンツ' (クミ)	1
31		229-26000	RUBBER CUSHION	コ' ヒンツ' チ'	(2)
32		229-26109	FRAME RUBBER CUSHION	トウア' ササエゴ' アサ'	(2)
33		229-26208	NAIL	コ' ヒンツ' チ' ウチクキ'	(8)
34		229-26505	WASHER	トウア' クツツヨシチ'	(2)
35		229-26356	HINGE COMPL.	ヒンツ' ケツコ' ウ	(2)
36	07	CM-6001002-01	WEEE INFORMATION SHEET	WEEE イソフオメ-ツヨソ ツト	2
37		400-37488	SHEET	エア-ヌキキツツ' チュウイツル	1
38		400-30768	OIL FILTER	オイルフィルタ	1
39		400-36428	ASSY_FILTER_A	フィルタ-エ-クミ	1
40		400-36125	FILTER	フィルタ-	(1)
41		400-35873	FILTER_B	フィルタ-B	1
42		229-33006	SCREW DRIVER, LARGE	ト' ライハ' -(タ' イ)	1
43☆	04	MDP-500B1002	NEEDLE DPX5 #10-2	ハリ DPX5 #10-2	1
44☆	03	MDP-500B1402	NEEDLE DPX5#14-2	DPX5#14-2	1
45☆	05	MDP-500B2102	DPX5#21-2	ハリDPX5#21-2	1
46☆	06	MDP-500B0902	NEEDLE DPX5#9-2	ハリDPX5#9-2	1

NOTE (注記)

#01....FOR LH-3528-7, LH-3568-7	LH-3528-7, LH-3568-7用
#02....FOR LH-3528, LH-3568	LH-3528, LH-3568用
#03....TYPE S	S仕様
#04....TYPE F	F仕様
#05....TYPE G	G仕様
#06....TYPE A	A仕様
#07....FOR JE	JE用
#08....FOR LH-3578-7, LH-3588-7	LH-3578-7, LH-3588-7用
#09....FOR LH-3578, LH-3588	LH-3578, LH-3588用

21. TABLE OF EXCHANGING GAUGE PARTS (1)(FOR LH-3528)


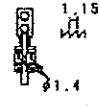
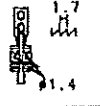

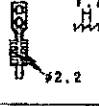
交換ゲージ部品一覧表(1) (LH-3528用)

Needle gauge size 針 径			Pressor foot ass. 押 さ え (組)					Swivel guide Pressor ass. スワイフガイド 押さえ(組)
Code コード	針 径		(Tip-divided) (羽端式針)	(Tip-divided) (羽端式針)	(Lower feed) (下送り)			
	inch	mm	Part No.	Part No.	Part No.	Part No.	Part No.	
A	3/32	2.4	226-37557					
B	1/8	3.2	226-37656	400-95896		103-91852	226-27261	
C	5/32	4.0	226-37755	400-35897				
D	3/16	4.8	226-37854	226-40353	226-16557	103-92058	226-27350	
E	7/32	5.6		226-40452			226-27459	
F	1/4	6.4	226-38050	226-40551	226-16754	103-92258	226-27558	
G	9/32	7.1	226-38258	226-40758			226-27657	
H	5/16	7.8	226-38357	226-40856	226-16953		226-27756	
K	3/8	9.5	226-38456	226-40957	226-17050			
W	7/16	11.1		226-41054	400-33941			
L	1/2	12.7	226-38753	226-41252		103-92751		
M	5/8	15.9		226-41351				
N	3/4	19.1	226-38951	226-41450	400-33947	103-93056		
P	7/8	22.2	226-39157	226-41658		226-44450		
Q	1	25.4	226-39256	226-41757		226-44559		
R	1-1/8	28.6	226-39355	226-41856	400-33953			
S	1-1/4	31.8	226-39454	226-41955				
Y	1-3/8	34.9		226-42052				
U	1-1/2	38.1		226-42151				
Stitch spec. 縫 仕 様	A		*					
	F					*	★(テープ付)	
	S			*				
	C				*			
	下送り					*		

Needle gauge size 針 径		Throat plate 針 板	Throat plate (with Taping) 針 板(テープ付)	Throat plate (Lower feed) 針 板(下送り)
Code コード	針 径		Part No.	Part No.
	inch	mm	Part No.	Part No.
A	3/32	2.4	226-28006	
B	1/8	3.2	226-28107	226-28002
C	5/32	4.0	226-28208	
D	3/16	4.8	226-28305	226-28200
E	7/32	5.6	226-28404	226-28309
F	1/4	6.4	226-28503	226-28408
G	9/32	7.1	226-28602	226-28507
H	5/16	7.8	226-28701	226-28606
K	3/8	9.5	226-28800	
W	7/16	11.1	226-28909	
L	1/2	12.7	226-29008	226-46109
M	5/8	15.9	226-29106	
N	3/4	19.1	226-29204	226-46307
P	7/8	22.2	226-29303	226-46406
Q	1	25.4	226-29402	226-46505
R	1-1/8	28.6	226-29501	
S	1-1/4	31.8	226-29600	
T	1-3/8	34.9	226-29709	
U	1-1/2	38.1	226-29808	
Stitch spec. 縫 仕 様	A		Spec. common	
	F		Spec. common	
	S		Spec. common	
	C		仕 様 共 通	
	下送り			★

22. TABLE OF EXCHANGING GAUGE PARTS (2)(FOR LH-3528)

交換ゲージ部品一覧表 (2) (LH-3528用)

Needle gauge size 針 規			Feed Dog 送り金						
Code コト'		Part No.	(Option) (オプ'ション)				(Option) (オプ'ション)		(Option) (オプ'ション)
			Part No.	Part No.	Part No.	Part No.	Part No.	Part No.	
A	3/32 2.4	400-33714							
B	1/8 3.2	400-33715	400-35883	400-33563					
C	5/32 4.0	400-33716			226-30208	400-25784			
D	3/16 4.8	400-33718	400-35884	400-33564	226-30404	400-25785	B1613-512-DOH	400-25801	
E	7/32 5.6		400-35885	400-33565	226-30503	400-25786			
F	1/4 6.4	400-33720	400-35886	400-33566	226-30802	400-25787	B1613-512-FOH	400-25803	
G	9/32 7.1	400-33722	400-35887	400-33567	226-30800	400-25788			
H	5/16 7.9	400-33723	400-35888	400-33568	226-30908	400-25789	B1613-512-HOH	400-25805	
K	3/8 9.5	400-33724			226-31008	400-25790	B1613-512-KOH	400-25808	
N	7/16 11.1				226-31105	400-25791	B1613-512-WOH	400-25807	
L	1/2 12.7	400-33727			226-31303	400-25792			
M	5/8 15.9				226-31402	400-25793			
N	3/4 19.1	400-33729			226-31501	400-25794	B1613-512-NOH	400-25810	
P	7/8 22.2	400-33731			226-31708	400-25795			
Q	1 25.4	400-33732			226-31808	400-25796			
R	1-1/8 28.6	400-33733			226-31907	400-25797	B1613-512-ROH	400-25813	
S	1-1/4 31.8	400-33734			226-32004	400-25798			
T	1-3/8 34.9				226-32103	400-25799			
U	1-1/2 38.1				226-32202	400-25800			
Stitch spec. 縫 仕 様	A	*							
	F		*	*					
	S				*	*			
	C						*	*	

Needle gauge size 針 規	Feed Dog (Lower feed) 送り金(下送り)		Needle clamp ass. 針留組	Sliding plate ass.(Left) 送り板(左)組	Sliding plate ass.(Right) 送り板(右)組	Sliding plate ass. (Front) 送り板(前)組		
	Part No.	Part No.				Part No.	Part No.	
A	3/32 2.4		400-35875					
B	1/8 3.2	232-05107	400-28027					
C	5/32 4.0		400-28029					
D	3/16 4.8	232-05303	400-28031					
E	7/32 5.6		400-28033					
F	1/4 6.4	232-05503	400-28035	226-01058	226-00555			
G	9/32 7.1		400-28037					
H	5/16 7.9		400-28039					
K	3/8 9.5		400-28041					
N	7/16 11.1		400-28043					
L	1/2 12.7		226-48105	400-28045				
M	5/8 15.9		400-28047	226-01157	226-00654			
N	3/4 19.1		226-48303	400-28049				
P	7/8 22.2		226-48402	400-28051				
Q	1 25.4		226-48501	400-28053	226-01256	226-00753		
R	1-1/8 28.6		400-28055					
S	1-1/4 31.8		400-28057					
T	1-3/8 34.9		400-28059	226-01355	226-00852			
U	1-1/2 38.1		400-28061					
Stitch spec. 縫 仕 様	A							
	F							
	S			Spec. common	Spec. common	Spec. common	Spec. common	* (テーフ' 付)
	C							

23. TABLE OF EXCHANGING GAUGE PARTS (FOR LH-3528-7)


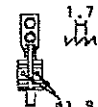
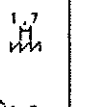
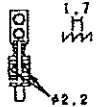
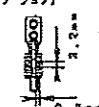
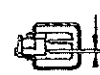
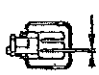
交換ゲージ部品一覧表 (LH-3528-7用)







Code コード	Needle gauge size 針 幅		Throat plate 針 板	Needle clamp ass. 針 板 組	Feed dog 送り歯			
	inch	mm	Part No.	Part No.	Part No.	Part No.	Part No.	Part No.
B	1/8	3.2	400-35881	400-26027	400-81270	400-35890		
C	5/32	4.0	400-25485	400-26029	400-81271	400-25817		
D	3/16	4.8	400-25490	400-26031	400-81272	400-25818	400-35891	400-25831
E	7/32	5.8	400-25491	400-26033	400-81273	400-25819		
F	1/4	6.4	400-25492	400-26035	400-81274	400-26715	400-35892	400-25833
G	9/32	7.1	400-25493	400-26037	400-81275	400-25820		
H	5/16	7.9	400-25494	400-26039	400-81276	400-25821		
K	3/8	9.5	400-25495	400-26041	400-81277	400-25822		
N	7/16	11.1						
L	1/2	12.7	400-25498	400-26045	400-81278	400-25824	400-35894	5400-25838
M	5/8	15.9	400-25499	400-26047	400-81279	400-25825		
N	3/4	19.1	400-25500	400-26049	400-81280	400-25826		
P	7/8	22.2	400-25502	400-26051	400-81281	400-25827		
Q	1	25.4	400-25503	400-26053	400-81282	400-25828		
R	1-1/8	28.8	400-25504	400-26055	400-81283	400-25829		
S	1-1/4	31.8	400-25505	400-26057	400-81284	400-25830		
Stitch spec. 縫 仕 様	S	Spec. common 仕様共通	Spec. common 仕様共通		★	★	★	★





Code コード	Needle gauge size 針 幅		Presser foot ass. 押 込 入 (組)		Sliding plate ass. (Left) 送り板(左)組	Sliding plate ass. (Right) 送り板(右)組	Sliding plate ass. (Front) 送り板(前)組
	inch	mm	Part No.	Part No.	Part No.	Part No.	Part No.
B	1/8	3.2	400-35886				
C	5/32	4.0	400-35887				
D	3/16	4.8	228-40353	228-16557			
E	7/32	5.8	228-40452				
F	1/4	6.4	228-40551	228-16753	400-25247	400-25235	
G	9/32	7.1	228-40759				
H	5/16	7.9	228-40858				
K	3/8	9.5	228-40957				400-42880
N	7/16	11.1					
L	1/2	12.7	228-41252	228-17159			
M	5/8	15.9	228-41351		400-25248	400-25236	
N	3/4	19.1	228-41450				
P	7/8	22.2	228-41658				
Q	1	25.4	228-41757		400-25249	400-25239	
R	1-1/8	28.8	228-41856				
S	1-1/4	31.8	228-41955		400-25250	400-25240	
Stitch spec. 縫 仕 様	S	★	★	★	Spec. common 仕様共通	Spec. common 仕様共通	Spec. common 仕様共通

24. TABLE OF EXCHANGING GAUGE PARTS (FOR LH-3568)

交換ゲージ部品一覧表 (LH-3568用)



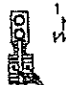




Needle gauge size 針 幅		Feed Dog 送り歯				Prasser foot asm. 押さえ(組)		
Code コード			 1.7 (Option) (オプ'ション)	 1.7	 2.2	 2.2 (Option) (オプ'ション)	 2.0mm (Tip-divided) (巻端式先割れ)	 2.1mm (Tip-divided) (巻端式先割れ)
	inch	mm	Part No.	Part No.	Part No.	Part No.	Part No.	Part No.
B	1/8	3.2		400-33563			400-35896	
C	5/32	4.0	226-30208	400-25784			400-35897	
D	3/16	4.8	226-30404	400-25785	B1813-512-B0H	400-25801	226-40353	228-16557
E	7/32	5.0	226-30503	400-25786			226-40452	
F	1/4	6.4	226-30802	400-25787	B1813-512-F0H	400-25803	226-40551	228-16755
G	9/32	7.1	226-30800	400-25788			226-40759	
H	5/16	7.9	226-30909	400-25789			226-40858	
K	3/8	9.5	226-31008	400-25790	B1813-512-K0H	400-25806	226-40957	228-17050
L	1/2	12.7	226-31303	400-25792			226-41252	
M	5/8	15.9	226-31402	400-25793			226-41351	
N	3/4	19.1			B1813-512-N0H	400-25810		400-33947
Stitch spec. 縫仕様	S		★	★		★	★	★





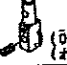

Needle gauge size 針 幅		Throat plate 針板	Needle clamp asm. (for DP5) 針留組(DP5用)		Needle clamp asm. (for DP17) 針留組(DP17用)		
Code コード				 (Left) 針留(左)組	 (Right) 針留(右)組	 (Left) 針留(左)組 (Option) (オプ'ション)	 (Right) 針留(右)組 (Option) (オプ'ション)
	inch	mm	Part No.	Part No.	Part No.	Part No.	
B	1/8	3.2	226-25107	400-35761	400-35771	400-35877	400-35878
C	5/32	4.0	226-25208	400-35762	400-35772	400-26063	400-26064
D	3/16	4.8	226-25305	400-35763	400-35773	400-26065	400-26066
E	7/32	5.0	226-25404	400-35764	400-35774	400-26067	400-26068
F	1/4	6.4	226-25503	400-28561	400-29562	400-26069	400-26090
G	9/32	7.1	226-25602	400-35765	400-35775	400-26070	400-26091
H	5/16	7.9	226-25701	400-35766	400-35776	400-26072	400-26093
K	3/8	9.5	226-25800	400-35767	400-35777	400-26074	400-26095
L	1/2	12.7	226-26008	400-35768	400-35778	400-26076	400-26097
M	5/8	15.9	226-26105	400-35769	400-35779	400-26078	400-26098
N	3/4	19.1	226-26204	400-35770	400-35780	400-26080	400-26101
Stitch spec. 縫仕様	S		Spec. common 仕様共通	Spec. common 仕様共通	Spec. common 仕様共通	Spec. common 仕様共通	Spec. common 仕様共通

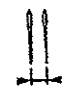



Needle gauge size 針 幅		Sliding plate asm. (Left) 送り板(左)組	Sliding plate asm. (Right) 送り板(右)組	Sliding plate asm. (Front) 送り板(前)組	
Code コード					
	inch	mm	Part No.	Part No.	Part No.
B	1/8	3.2			
C	5/32	4.0			
D	3/16	4.8			
E	7/32	5.0			
F	1/4	6.4	226-01058	226-00555	400-42874
G	9/32	7.1			
H	5/16	7.9			
K	3/8	9.5			
L	1/2	12.7	226-01157	226-00654	
M	5/8	15.9			
N	3/4	19.1			
Stitch spec. 縫仕様	S		Spec. common 仕様共通	Spec. common 仕様共通	Spec. common 仕様共通

25. TABLE OF EXCHANGING GAUGE PARTS (FOR LH-3568-7)

交換ゲージ部品一覧表 (LH-3568-7用)




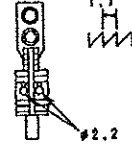
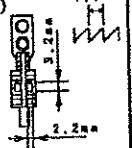
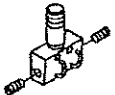
Needle gauge size 針 幅		Feed dog 送り歯				Presser foot ass. 押さえ(足)		
Code 3-1'		(Option) (オプション)			(Option) (オプション)			
		 1.7 φ1.9	 1.7 φ1.7		 1.7 φ2.2mm	 (Tip-divided) (8割式尖頭)	 (Tip-divided) (8割式尖頭)	
inch	mm	Part No.	Part No.	Part No.	Part No.	Part No.	Part No.	
B	1/8	3.2	400-61270	400-35890			400-35896	
C	5/32	4.0	400-61271	400-25817			400-35897	
D	3/16	4.8	400-61272	400-25818	400-35891	400-25831	228-40353	228-18557
E	7/32	5.6	400-61273	400-25819			228-40452	
F	1/4	6.4	400-61274	400-28715	400-35892	400-25833	228-40551	228-16755
G	9/32	7.1	400-61275	400-25820			228-40759	
H	5/16	7.9	400-61276	400-25821			228-40858	
K	3/8	8.5	400-61277	400-25822	400-35893	400-25838	228-40957	228-17050
L	1/2	12.7	400-61278	400-25824			228-41252	
M	5/8	15.9	400-61278	400-25825			228-41351	
N	3/4	19.1			400-35895	400-25840		400-33947
P	7/8	22.2						
Q	1	25.4						
R	1-1/8	28.8						
S	1-1/4	31.8						
Stitch spec. 縫仕様	S		*	*	*	*	*	*
	G							





Needle gauge size 針 幅	Throat plate 針板	Needle clamp ass. (for DP5) 針留蓋(DP5用)		Needle clamp ass. (for DP17) 針留蓋(DP17用)			
		Needle clamp ass. (Left) 針留蓋(左)	Needle clamp ass. (Right) 針留蓋(右)	Needle clamp ass. (Left) 針留蓋(左)	Needle clamp ass. (Right) 針留蓋(右)		
Code 3-1'							
inch	mm	Part No.	Part No.	Part No.	Part No.	Part No.	
B	1/8	3.2	400-35881	400-35781	400-35771	400-35877	400-35878
C	5/32	4.0	400-25485	400-35782	400-35772	400-28063	400-28084
D	3/16	4.8	400-25490	400-35783	400-35773	400-28065	400-28088
E	7/32	5.6	400-25491	400-35784	400-35774	400-28067	400-28088
F	1/4	6.4	400-25492	400-28561	400-29562	400-28069	400-28090
G	9/32	7.1	400-25493	400-35785	400-35775	400-28070	400-28091
H	5/16	7.9	400-25494	400-35786	400-35776	400-28072	400-28093
K	3/8	9.5	400-25495	400-35787	400-35777	400-28074	400-28095
L	1/2	12.7	400-25488	400-35768	400-35778	400-28076	400-28097
M	5/8	15.9	400-25498	400-35789	400-35779	400-28078	400-28099
N	3/4	19.1	400-25500	400-35770	400-35780	400-28080	400-28101
P	7/8	22.2	400-25502				
Q	1	25.4	400-25503				
R	1-1/8	28.8	400-25504				
S	1-1/4	31.8	400-25505				
Stitch spec. 縫仕様	S	Spec. common 仕様共通	Spec. common 仕様共通	Spec. common 仕様共通	Spec. common 仕様共通	Spec. common 仕様共通	Spec. common 仕様共通
	G						

Needle gauge size 針 幅	Sliding plate ass. (Left) 送り板(左)	Sliding plate ass. (Right) 送り板(右)	Sliding plate ass. (Front) 送り板(前)		
				Part No.	Part No.
Code 3-1'					
inch	mm	Part No.	Part No.	Part No.	
B	1/8	3.2			
C	5/32	4.0			
D	3/16	4.8			
E	7/32	5.6			
F	1/4	6.4	400-25247	400-25235	400-42850
G	9/32	7.1			
H	5/16	7.9			
K	3/8	8.5			
L	1/2	12.7			
M	5/8	15.9	400-25248	400-25236	
N	3/4	19.1			
Q	1	25.4	400-25249	400-25239	
Stitch spec. 縫仕様	S	Spec. common 仕様共通	Spec. common 仕様共通	Spec. common 仕様共通	
	G				

26. TABLE OF EXCHANGING GAUGE PARTS (FOR LH-3578)


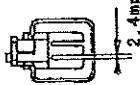

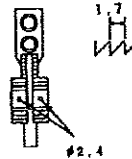
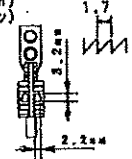
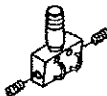
交換ゲージ部品一覧表 (LH-3578用)

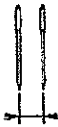



Needle gauge size 針 幅		Presser foot asm. 押さえ(組)	Throat plate 針 板	Feed dog 送り歯		Needle clamp asm. 針留組	
Code コード		(Tip-divided) (移動式先割れ) 			(Option) (オプション) 		
	inch	mm	Part No.	Part No.	Part No.	Part No.	
D	3/16	4.8	228-16557	226-25305	B1613-512-D0H	400-25801	400-26031
F	1/4	6.4	228-16755	226-25503	B1613-512-F0H	400-25803	400-26035
H	5/16	7.9	228-16953	226-26701	B1613-512-H0H	400-25805	400-26039
K	3/8	9.5	228-17050	226-25800	B1613-512-K0H	400-25806	400-26041
U	1-1/2	38.5	400-33959	226-26808	B1613-512-U0H	400-25816	400-26061
Stitch spec. 針仕様		Type G G仕様					

Needle gauge size 針 幅		Sliding plate asm. (Left) 滑り板(左)組	Sliding plate asm. (Right) 滑り板(右)組	Sliding plate asm. (Front) 滑り板(前)組
Code コード				
	inch	mm	Part No.	Part No.
D	3/16	4.8	226-01058	400-42874
F	1/4	6.4		
H	5/16	7.9	226-00655	400-42874
K	3/8	9.5		
U	1-1/2	38.5	226-01355	226-00852
Stitch spec. 針仕様		Type G G仕様		

27. TABLE OF EXCHANGING GAUGE PARTS (FOR LH-3578-7)



交換ゲージ部品一覧表 (LH-3578-7用)


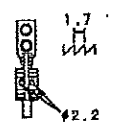
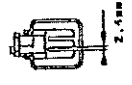
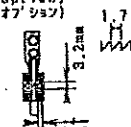
Needle gauge size 針 筧		Presser foot asm. 押さえ(組)	Throat plate 針 板	Feed dog 送り歯		Needle clamp asm. 針 留 組	
Code コード		(Tip-divided) (形変式先針h) 			(Option) (オプション) 		
	Inch	mm	Part No.	Part No.	Part No.	Part No.	
D	3/16	4.8	228-16557	400-25490	400-35891	400-25831	400-26031
F	1/4	6.4	228-16755	400-25492	400-35892	400-25833	400-26035
H	5/16	7.9	228-16953	400-25494	400-50011	400-25835	400-26039
K	3/8	9.5	228-17050	400-25495	400-35893	400-25836	400-26041
Stitch spec. 縫 合 種		Type G G 縫 合					

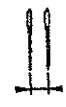



Needle gauge size 針 筧		Sliding plate asm. (Left) 滑り板(左)組	Sliding plate asm. (Right) 滑り板(右)組	Sliding plate asm. (Front) 滑り板(前)組
Code コード				
	Inch	mm	Part No.	Part No.
D	3/16	4.8	400-26247	400-25235
F	1/4	6.4		
H	5/16	7.9		
K	3/8	9.5		
Stitch spec. 縫 合 種		Type G G 縫 合		

28. TABLE OF EXCHANGING GAUGE PARTS (FOR LH-3588)

交換ゲージ部品一覧表 (LH-3588用)







Needle gauge size 針 尺		Throat plate 針 尺	Needle clamp asm. (for DPS) 針 尺 組 (DPS用)		Needle clamp asm. (for DP17) 針 尺 組 (DP17用)	
Code コード			Needle clamp asm. (Left) 針 尺 (左) 組	Needle clamp asm. (Right) 針 尺 (右) 組	Needle clamp asm. (Left) 針 尺 (左) 組 (Option) (オプション)	Needle clamp asm. (Right) 針 尺 (右) 組 (Option) (オプション)
			Part No.	Part No.	Part No.	Part No.
D	3/16 4.8	226-25305	400-35783	400-35773	400-26085	400-26086
E	7/32 5.6	226-25404	400-35784	400-35774	400-26087	400-26088
F	1/4 6.4	226-25503	400-29581	400-29582	400-26089	400-26090
H	5/16 7.9	226-25701	400-35786	400-35776	400-26072	400-26092
K	3/8 9.5	226-25800	400-35787	400-35777	400-26074	400-26095
Stitch spec. 縫 仕 様		Type G G 縫 様				


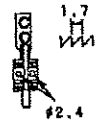
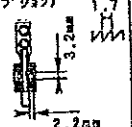
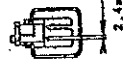
Needle gauge size 針 尺	Feed dog 送り 歯		Presser foot asm. 押 車 足 (組)
Code コード			
			
	inch mm	Part No.	Part No.
D	3/16 4.8	B1613-512-D0H	400-25801
E	7/32 5.6	B1613-512-E0H	400-25802
F	1/4 6.4	B1613-512-F0H	400-25803
H	5/16 7.9	B1613-512-H0H	400-25805
K	3/8 9.5	B1613-512-K0H	400-25806
Stitch spec. 縫 仕 様		Type G G 縫 様	

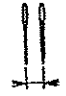


Needle gauge size 針 尺	Sliding plate asm. (Left) 送り 板 (左) 組	Sliding plate asm. (Right) 送り 板 (右) 組	Sliding plate asm. (Front) 送り 板 (前) 組
Code コード			
			
	inch mm	Part No.	Part No.
D	3/16 4.8	226-01058	400-42874
E	7/32 5.6		
F	1/4 6.4		
H	5/16 7.9		
K	3/8 9.5		
Stitch spec. 縫 仕 様		Type G G 縫 様	

29. TABLE OF EXCHANGING GAUGE PARTS (FOR LH-3588-7)

交換ゲージ部品一覧表 (LH-3588-7用)

Needle gauge size 針 筧	Throat plate 弁 板	Needle clamp ass. (for OP5) 針 筧 組 (DP5用)			Needle clamp ass. (for DP17) 針 筧 組 (DP17用)	
		Needle clamp ass. (Left) 針 筧 (左) 組	Needle clamp ass. (Right) 針 筧 (右) 組	Needle clamp ass. (Left) 針 筧 (左) 組 (Option) (27' 927)	Needle clamp ass. (Right) 針 筧 (右) 組 (Option) (27' 927)	
Code コ-ト'						
	Inch mm	Part No.	Part No.	Part No.	Part No.	Part No.
D	3/16 4.8	400-25480	400-35763	400-35773	400-26065	400-26086
E	7/32 5.8	400-25491	400-35764	400-35774	400-26067	400-26088
F	1/4 6.4	400-25492	400-29561	400-29562	400-26069	400-26090
H	5/16 7.9	400-25494	400-35765	400-35776	400-26072	400-26093
K	3/8 9.5	400-25495	400-35767	400-35777	400-26074	400-26095
Stitch spec. 縫 仕 様			Type G G 仕 様			

Needle gauge size 針 筧	Feed dog 送り 歯	Presser foot ass. ワ ー 足 (組)		
		(Option) (オプション)	(Tip-divided) (先端分岐)	
Code コ-ト'				
	Inch mm	Part No.	Part No.	Part No.
D	3/16 4.8	400-35891	400-25831	228-16557
E	7/32 5.8	400-50009	400-25832	228-16856
F	1/4 6.4	400-35892	400-25833	228-16755
H	5/16 7.9	400-50011	400-25835	228-16953
K	3/8 9.5	400-35893	400-25836	228-17050
Stitch spec. 縫 仕 様		Type G G 仕 様		

Needle gauge size 針 筧	Sliding plate ass. (Left) 送り 板 (左) 組		Sliding plate ass. (Right) 送り 板 (右) 組	Sliding plate ass. (Front) 送り 板 (前) 組
	Code コ-ト'			
	Inch mm	Part No.	Part No.	Part No.
D	3/16 4.8	400-25247	400-25235	400-42880
E	7/32 5.8			
F	1/4 6.4			
H	5/16 7.9			
K	3/8 9.5			
Stitch spec. 縫 仕 様		Type G G 仕 様		

NUMERICAL INDEX OF PARTS

索引

PART NO 品番	PAGE 頁	REF NO	PART NO 品番	PAGE 頁	REF NO	PART NO 品番	PAGE 頁	REF NO	PART NO 品番	PAGE 頁	REF NO
BT-0500300-EA	20	91	GAK-A18300B0	32	15	RO-0982401-00	28	5	SM-6040552-TP	2	63
B1104-051-000	2	26	GAK-33027000	32	7	RO-1952401-00	28	42	SM-6040552-TP	24	64
B1116-210-B00	31	9				RO-2192001-00	28	6	SM-6040602-TP	22	7
B1118-512-000-A	10	40	HA-0005900-00	26	14	RO-2573501-00	18	42	SM-6040602-TP	28	40
B1118-512-000-A	12	21	HA-0019000-00	25	10				SM-6040650-TP	28	47
B1425-526-000	8	34	HK-0346101-40	25	38	SB-1200020-00	4	46	SM-6040655-TP	2	31
B1438-512-B00	6	9	HK-0346400-0B	25	13	SB-1200025-00	4	37	SM-6040655-TP	28	63
B1438-512-B00	8	51	HK-0346400-0B	25	19	SB-3095301-0A	16	30	SM-6041602-TP	28	71
B1449-526-000	12	19	HK-0346400-0B	26	20	SB-3095301-0B	16	31	SM-6050450-TP	12	76
B1505-227-T00-A	22	36	HW-2003900-00	26	15	SB-3095301-0C	16	32	SM-6050650-TP	20	71
B1521-555-000	22	2	HW-5000700-00	25	9	SB-3095301-0D	16	33	SM-6050650-TP	25	35
B1636-581-B00	20	33	HW-5000700-00	26	16	SD-0470316-TP	10	47	SM-6050800-SP	20	1
B1649-161-000	20	94				SD-0470316-TP	12	28	SM-6050800-SP	20	21
B1653-470-000	20	24	MDP-500B0902	36	46	SD-0490261-SP	30	23	SM-6050800-SP	20	61
B1705-850-000	8	68	MDP-500B1002	36	43	SD-0490261-SP	30	37	SM-6050802-TP	26	26
B1820-563-000	14	28	MDP-500B1400	6	17	SD-0500301-SP	26	23	SM-6051002-TP	6	21
B1821-051-000	14	29	MDP-500B1400	8	83	SD-0601171-SP	12	41	SM-6051002-TP	28	9
B1821-051-000	16	10	MDP-500B1402	36	44	SD-0640247-TP	12	63	SM-6051202-TP	12	54
B1822-051-000	14	27	MDP-500B2100	6	18	SD-0640357-TP	22	14	SM-6051202-TP	24	34
B1823-051-000	14	36	MDP-500B2100	8	84	SD-0640752-TP	12	56	SM-6051202-TP	24	37
B1823-051-000	16	17	MDP-500B2102	36	45	SD-0650321-TP	26	4	SM-6051400-SP	20	41
B1834-512-000	28	72	MML-007600CA	36	28	SD-0700328-TP	25	34	SM-6051600-SP	6	28
B3111-126-000	10	33	M4002-110-000	4	26	SD-0700346-TP	24	65	SM-6051600-SP	8	81
B3115-552-000	10	32				SD-0800352-SP	32	14	SM-6051600-SP	20	6
B3118-552-F00	10	45	NM-6030001-SC	24	7	SD-0900356-TP	22	15	SM-6051600-SP	20	52
B3118-552-F00	12	26	NM-6030001-SN	20	79	SD-0900426-TP	20	4	SM-6051600-SP	20	74
B3118-552-100	10	46	NM-6040001-SP	20	69	SD-0900706-TP	20	55	SM-6051850-TP	20	83
B3118-552-100	12	27	NM-6040002-SE	34	21	SK-3412000-SC	30	12	SM-6052502-TP	24	62
B3120-126-000	10	34	NM-6040002-SE	34	24	SK-3482501-SE	36	2	SM-6060800-SP	2	12
B3126-012-000	10	35	NM-6050001-SE	34	19	SL-4030631-SC	26	3	SM-6060800-SP	22	39
B3129-012-A00	12	17	NM-6050001-SE	34	28	SL-4030641-SE	26	18	SM-6061150-TP	4	20
B3132-552-000	10	38	NM-6050001-SP	12	73	SL-4051001-WZ	4	33	SM-6061150-TP	20	29
B3214-047-000	10	8	NM-6050001-SP	20	28	SL-6040892-TN	28	4	SM-6061200-SP	24	28
B3214-047-000	12	7	NM-6050001-SP	20	89	SL-1030501-SN	24	41	SM-6061202-TP	25	24
B3517-009-000	28	43	NM-6050001-SP	25	37	SK-1030501-SN	24	44	SM-6061610-SC	34	17
B3525-357-000	28	58	NM-6060001-CP	12	69	SM-1040750-TP	2	21	SM-6062500-SP	18	31
B3534-012-000	28	59	NM-6060001-CP	20	54	SM-1040750-TP	2	25	SM-6062502-TP	6	24
B3538-112-000	24	63	NM-6060001-SE	31	5	SM-1040750-TP	2	30	SM-6062502-TP	8	76
B9101-490-000	36	8	NM-6060003-SC	24	18	SM-1051052-TN	20	53	SM-6063002-TP	25	29
B9117-051-000	14	37	NM-6160511-SE	34	27	SM-2040750-TP	2	32	SM-6063750-SP	18	24
B9117-051-000	36	24	NS-6080210-SP	10	50	SM-4031501-SC	25	8	SM-6750690-TP	20	25
B9117-563-000	16	18	NS-6080210-SP	12	31	SM-4040601-SC	24	5	SM-6850400-SP	24	53
B9117-563-000	36	26	NS-6090310-SP	26	22	SM-4040655-SP	20	31	SM-7050850-TP	12	39
B9121-012-0A0	36	27	NS-6110310-SP	10	51	SM-4040655-SP	22	44	SM-7050850-TP	20	48
B9141-372-000	36	11	NS-6110310-SP	12	32	SM-4040855-SP	12	77	SM-7050850-TP	20	60
			NS-6110310-SP	26	9	SM-4040855-SP	22	47	SM-8030312-TP	24	54
CM-1001000-01	2	54	NS-6110310-SP	28	48	SM-4041001-SC	34	20	SM-8031612-TP	20	77
CM-2001001-01	2	69	NS-6110420-SP	14	35	SM-4041055-SP	2	48	SM-8040402-TP	2	23
CM-2002002-01	2	52	NS-6110420-SP	16	16	SM-4041055-SP	6	35	SM-8040412-TP	12	78
CM-3002000-01	2	70	NS-6110420-SP	20	96	SM-4041201-SC	34	22	SM-8040412-TP	20	23
CM-3004009-01	12	70	NS-6150310-SP	32	5	SM-4041655-SP	25	7	SM-8040412-TP	20	76
CM-3011001-01	2	56	NS-6150440-SP	32	11	SM-4042001-SC	34	23	SM-8040502-TP	30	39
CM-3013000-01	2	49	NS-6620310-SP	22	27	SM-4050655-SP	18	34	SM-8040612-TP	20	38
CM-6001002-01	36	36				SM-4050655-SP	20	85	SM-8050412-TP	2	19
CQ-2020000-00	4	3	PS-0300122-KH	20	30	SM-4050655-SP	28	57	SM-8050412-TP	20	11
CQ-2020000-00	4	5	PT-0502700-S0	6	4	SM-4050655-SP	28	77	SM-8050412-TP	20	46
CQ-2020000-00	14	33	PT-0502700-S0	8	6	SM-4050855-SP	2	4	SM-80506A2-TP	20	14
CQ-2020000-00	14	34				SM-4050855-SP	2	6	SM-8050612-TP	10	48
CQ-2020000-00	16	14	RC-0650811-KP	24	3	SM-4050855-SP	10	58	SM-8050612-TP	12	29
CQ-2020000-00	16	15	RE-0300000-K0	26	27	SM-4050855-SP	12	61	SM-8050612-TP	22	18
CQ-2520000-00	4	7	RE-0400000-K0	25	23	SM-4050855-SP	12	74	SM-8051002-TP	18	20
CQ-2520000-00	6	36	RE-0500000-K0	22	10	SM-4050855-SP	18	14	SM-8060550-TP	14	45
CQ-2520000-00	8	70	RE-0500000-K0	22	13	SM-4050855-SP	24	14	SM-8060550-TP	16	28
CQ-3030000-00	4	12	RE-0500000-K0	32	18	SM-4050855-SP	24	26	SM-8060552-TP	4	14
			RE-0600000-K0	24	11	SM-4050855-SP	25	18	SM-8060552-TP	20	81
D2112-555-B00	2	3	RE-0700000-K0	12	59	SM-4050855-SP	26	21	SM-8060610-TP	18	37
D2464-555-B00	25	22	RE-0700000-K0	32	13	SM-4051055-SP	2	67	SM-8060612-TP	4	9
D3128-555-D00	10	36	RE-0800000-K0	32	20	SM-4051255-SP	20	27	SM-8060612-TP	4	15
D3129-555-D00	10	37	RE-0900000-K0	20	13	SM-4051255-SP	28	19	SM-8060612-TP	4	38
D3159-555-B00	22	26	RE-1000000-K0	31	13	SM-4051255-SP	36	17	SM-8060612-TP	4	40
D3163-555-B00-A	22	30	RO-0371801-00	22	3	SM-4051405-SE	34	18	SM-8060612-TP	18	5
D3164-555-B00	22	45	RO-0371801-00	28	62	SM-4051455-SP	2	1	SM-8060612-TP	18	38
			RO-0442401-00	18	17	SM-4051601-SC	30	4	SM-8060612-TP	18	39
EA-9500B01-00	24	59	RO-0481901-00	28	16	SM-4055001-SF	28	79	SM-8060612-TP	18	41
EA-9500B01-00	28	45	RO-0481901-00	28	24	SM-4062001-SC	30	3	SM-8060612-TP	20	44
EA-9502B02-00	2	62	RO-0801502-00	2	66	SM-6030672-TP	20	34	SM-8060812-TP	4	45

NUMERICAL INDEX OF PARTS

索引

PART NO 品番	PAGE 頁	REF NO	PART NO 品番	PAGE 頁	REF NO	PART NO 品番	PAGE 頁	REF NO	PART NO 品番	PAGE 頁	REF NO
SM-8061010-TP	24	61	TA-1470704-RO	2	57	102-09203	26	31	226-56508	25	4
SM-8061212-TP	12	68	TA-1600406-RO	2	15	102-09500	26	32	226-57209	26	5
SM-8061550-TP	4	22	TA-1650406-RO	2	59	102-09807	26	33	226-57308	26	8
SM-8061550-TP	4	29				102-09906	26	34	226-57803	2	46
SM-8063012-TR	31	6	WP-0350516-SD	10	55	102-10805	14	38	226-81209	8	2
SM-8081652-TP	4	17	WP-0350516-SD	12	36	102-10805	36	23	226-81316	8	26
SM-9040603-SC	2	28	WP-0371016-SD	14	32	102-31603	16	19	226-81407	8	24
SM-9050850-SP	24	21	WP-0371016-SD	16	13	102-31603	36	25	226-81506	8	25
SM-9050850-SP	24	31	WP-0371016-SD	26	30	110-15906	14	14	226-81712	8	8
SM-9051203-CP	24	57	WP-0430800-SD	2	50	110-15906	14	48	226-81803	8	15
SM-9061203-SE	31	20	WP-0430800-SD	28	70	110-40854	24	10	226-81951	8	10
SM-9061853-SR	31	14	WP-0450000-SD	8	18	110-72402	10	6	226-82058	8	11
SQ-0000401-MZ	28	60	WP-0450801-SD	4	31	110-72402	12	5	226-82157	8	12
SQ-2050453-MZ	18	15	WP-0450801-SP	12	20	113-05901	24	27	226-82256	8	13
SQ-2050453-MZ	18	45	WP-0480856-SP	30	29	114-04704	16	48	226-82355	8	14
SQ-2060451-MZ	18	35	WP-0480856-SP	30	38	114-04704	16	62	226-82504	8	42
SS-1090520-TP	24	47	WP-0501016-SC	30	13	114-15866	30	15	226-82702	8	7
SS-4090415-SP	8	28	WP-0501016-SC	36	3	114-15908	30	28	226-83205	8	56
SS-4090715-SP	8	16	WP-0501016-SD	25	20	124-55507	36	9	226-83304	8	57
SS-4090715-SP	8	37	WP-0501016-SD	25	40	124-55705	36	10	226-83403	8	61
SS-4110515-SP	30	27	WP-0520656-SA	20	90	131-02702	6	29	226-83601	8	69
SS-4110515-SP	30	30	WP-0520656-SA	28	78	131-02702	8	33	226-83809	8	59
SS-4110515-SP	30	33	WP-0531000-SC	36	18	131-60106	36	12	226-83908	8	65
SS-4110615-SP	25	3	WP-0531000-SD	24	22	131-67556	34	1	226-84005	8	66
SS-4110715-SP	22	29	WP-0531000-SD	24	32	131-67903	34	8	226-84104	8	62
SS-4111215-SP	22	31	WP-0531000-SD	24	66	131-68000	34	9	226-84203	8	64
SS-5091020-SP	10	49	WP-0531000-SD	26	35	131-68109	34	10	226-85200	8	31
SS-5091020-SP	12	30	WP-0531000-SD	28	80	131-68208	34	11	226-85200	8	40
SS-6060510-TP	8	22	WP-0531001-SC	30	6	133-19405	20	73	226-85408	8	32
SS-6080340-SP	8	63	WP-0550800-SP	6	22				226-85408	8	41
SS-6080410-SP	8	27	WP-0550800-SP	28	10	225-29473	10	9	226-85705	8	77
SS-6090520-SP	10	53	WP-0612056-SD	25	31	225-29473	12	8	226-85804	8	21
SS-6090520-SP	12	34	WP-0621016-SD	25	26	226-00555	2	37	226-85903	8	17
SS-6090580-TP	24	48	WP-0621036-SP	32	10	226-01058	2	33	226-86000	8	20
SS-6090810-TP	14	31	WP-0621046-SP	18	25	226-03708	2	44	226-86109	8	23
SS-6090810-TP	16	12	WP-0621046-SP	24	17	226-03708	28	73	226-87008	12	64
SS-6111210-SP	4	30	WP-0641600-SC	30	7	226-05307	4	2	226-87107	12	62
SS-6121860-SP	20	19	WP-1021016-SD	32	12	226-06206	6	5	226-87503	12	57
SS-6153040-SP	18	23	WP-1612616-SE	34	25	226-06206	8	47	226-87602	12	60
SS-6560150-SH	14	20	WP-1751616-SD	20	78	226-06305	6	6	226-87701	12	58
SS-6560150-SH	16	59	WS-0410002-KP	26	36	226-06305	8	48	226-88105	14	21
SS-7060310-SP	8	72	WS-0510002-KN	34	29	226-06404	6	12	226-88154	14	18
SS-7081310-SP	30	24	WS-0521010-KN	30	5	226-06404	8	54	226-88204	14	23
SS-7081310-SP	30	40	WS-0610002-KP	25	30	226-06800	6	19	226-88402	14	22
SS-7090610-SP	26	29	WS-0631510-KP	25	25	226-07600	6	7	228-10907	4	8
SS-7090910-TP	22	43	WS-1643202-KR	34	26	226-07600	8	49	228-13000	16	9
SS-7110350-SP	30	19	WT-0530002-KS	2	7	226-07709	6	8	228-13109	16	8
SS-7110710-SP	8	19				226-07709	8	50	228-13356	16	36
SS-7110710-SP	25	39	101-09809	16	4	226-07808	6	10	228-13406	16	38
SS-7110840-SP	30	42	101-09908	18	21	226-07808	8	52	228-13703	16	50
SS-7121410-TP	32	6	101-10500	14	24	226-07907	6	11	228-13703	16	68
SS-8090670-SP	10	19	101-10500	14	61	226-07907	8	53	228-13802	16	40
SS-8090670-SP	10	29	101-10500	16	42	226-10307	20	8	228-14008	16	49
SS-8090670-SP	10	39	101-10500	16	57	226-12105	14	52	228-14008	16	69
SS-8090670-SP	12	10	101-10609	14	60	226-12204	14	8	228-19809	16	21
SS-8090670-SP	12	61	101-10609	16	41	226-12204	14	64	228-19809	36	19
SS-8110410-TP	2	53	101-10609	16	58	226-12303	14	10	228-27109	16	66
SS-8110510-SP	30	25	101-11003	16	6	226-12303	14	56	228-27208	16	54
SS-9110460-CP	12	65	101-11102	16	7	226-12402	14	57	228-27257	16	53
SS-9111010-SP	25	21	101-11201	16	3	226-12709	14	16	228-27307	16	56
			101-11508	14	25	226-12907	14	19	228-27406	16	55
TA-0290301-MO	14	17	101-11508	36	22	226-13509	14	30	228-37504	30	45
TA-0290301-MO	14	49	101-12407	18	22	226-14002	14	63	228-37553	30	31
TA-0290301-MO	18	19	101-12506	16	5	226-14101	14	64	228-88507	18	43
TA-0290301-MO	18	30	101-12805	14	66	226-14200	14	65	229-01805	2	29
TA-0370301-RO	4	49	101-12704	14	87	226-15702	12	67	229-03702	8	1
TA-0490601-RO	4	42	101-12803	14	11	226-19100	2	8	229-07406	22	28
TA-0500301-RO	4	48	101-12803	14	62	226-21056	30	41	229-07604	22	34
TA-0750404-RO	4	1	101-12803	16	47	226-21106	30	36	229-07703	22	35
TA-0750704-RO	2	72	101-12803	16	65	226-21155	30	32	229-07802	22	1
TA-0800504-RO	2	9	101-12902	14	13	226-22401	4	10	229-08008	22	9
TA-0950806-RO	2	58	101-12902	14	59	226-25503	2	35	229-20706	2	18
TA-1030402-RO	2	71	101-19204	25	36	226-40551	22	42	229-21209	12	12
TA-1250406-RO	2	11	101-26803	28	51	226-53802	14	26	229-21407	10	14
TA-1250406-RO	2	73	101-61305	25	17	226-53802	36	21	229-21407	10	26
TA-1250705-RO	2	17	102-08700	26	28	226-56003	20	86	229-21407	12	14

NUMERICAL INDEX OF PARTS

索引

PART NO 品番	PAGE 頁	REF NO	PART NO 品番	PAGE 頁	REF NO	PART NO 品番	PAGE 頁	REF NO	PART NO 品番	PAGE 頁	REF NO
229-21407	12	48	229-55504	26	2	400-10434	24	9	400-25329	6	3
229-21506	10	15	229-55900	26	10	400-11906	20	32	400-25329	8	5
229-21506	10	23	229-56007	26	11	400-11926	20	68	400-25492	2	36
229-21506	12	15	229-56205	26	7	400-11932	20	37	400-26035	6	16
229-21506	12	45	229-57104	26	13	400-11934	20	36	400-26394	6	2
229-21605	10	16	229-57203	26	19	400-11935	20	7	400-26395	6	1
229-21605	10	27	229-62005	10	28	400-11939	20	43	400-26401	8	4
229-21605	12	16	229-62005	12	50	400-11946	20	35	400-26402	8	3
229-21605	12	48	229-91400	32	8	400-11947	18	44	400-26482	6	25
229-21704	10	17	232-03300	10	44	400-12085	14	12	400-26482	8	78
229-21803	10	18	232-03300	12	25	400-12085	14	58	400-26673	20	12
229-21803	10	22	232-04506	6	13	400-12085	16	45	400-26811	2	60
229-21803	12	18	232-04506	8	44	400-12085	16	63	400-26909	24	68
229-21803	12	44	232-04605	6	14	400-12403	24	49	400-26920	4	47
229-26000	36	31	232-04605	8	45	400-12404	24	58	400-26981	8	39
229-26059	36	30	232-04704	6	15	400-12487	24	46	400-26982	8	30
229-26109	36	32	232-04704	8	46	400-12488	24	45	400-26983	8	29
229-26208	36	33	232-04803	28	84	400-12489	24	55	400-26984	8	38
229-26356	36	35	232-06709	2	10	400-12492	24	39	400-27099	4	25
229-26505	36	34	235-33805	20	42	400-12495	24	50	400-28031	6	31
229-27354	30	14	235-33904	20	16	400-12496	24	56	400-28116	4	36
229-28105	30	22	235-34506	20	17	400-12497	24	38	400-28117	4	19
229-28303	30	21	235-40305	28	49	400-12503	24	35	400-28200	8	82
229-28303	30	35	235-42418	24	6	400-12504	24	29	400-28245	2	13
229-28402	30	20	236-01057	2	5	400-12505	24	19	400-28250	10	4
229-28402	30	34	236-01305	2	64	400-12505	24	30	400-28250	12	3
229-28501	30	26	236-09001	22	41	400-12506	24	20	400-28258	12	38
229-28808	30	18	236-09209	22	33	400-13061	18	6	400-28259	12	75
229-28808	30	46	236-09605	22	6	400-13316	24	60	400-28262	12	40
229-28907	30	16	236-18804	18	7	400-13362	20	64	400-28268	22	17
229-28907	30	43	236-26005	10	13	400-13509	28	15	400-28269	22	40
229-29004	30	17	236-26005	10	21	400-15144	8	71	400-28271	18	1
229-29004	30	44	236-26005	10	31	400-15669	24	24	400-28274	20	57
229-30309	34	12	236-26005	12	13	400-15699	10	56	400-28275	20	58
229-30408	34	6	236-26005	12	43	400-15699	12	37	400-28276	20	59
229-30507	34	3	236-27458	10	30	400-16749	28	39	400-28277	20	49
229-30656	34	2	236-28803	28	13	400-17353	24	1	400-28279	20	39
229-30705	34	4	236-28902	28	14	400-17361	24	13	400-28280	20	63
229-30804	34	16	236-29306	28	12	400-17362	24	25	400-28281	20	62
229-30803	34	15	236-29306	28	30	400-17394	24	2	400-28284	20	3
229-31000	34	14	236-29306	28	37	400-17399	24	8	400-28285	20	82
229-31109	34	13	236-29405	28	21	400-17400	24	12	400-28286	20	9
229-31307	34	7	236-29405	28	27	400-17401	24	15	400-28287	20	70
229-31406	34	5	236-29405	28	34	400-17402	24	16	400-28291	20	66
229-31604	36	16	236-29504	28	64	400-17403	24	23	400-28293	20	2
229-32107	31	4	236-29900	2	65	400-17624	4	27	400-28294	20	67
229-32206	31	8	236-30007	28	11	400-17625	4	28	400-28489	18	36
229-32404	31	11	236-30007	28	31	400-18977	16	44	400-28491	14	2
229-32453	31	10	236-30007	28	38	400-18977	16	71	400-28491	16	2
229-32800	36	5	236-30007	28	50	400-18978	16	46	400-28495	18	32
229-33006	36	42	236-30007	28	52	400-18978	16	64	400-28496	18	33
229-33105	36	6	236-30007	28	53	400-21726	24	67	400-28545	22	12
229-33204	36	7	236-30007	28	54	400-21883	24	40	400-28546	22	20
229-33303	36	29	236-30007	28	65	400-21898	24	43	400-28547	22	37
229-33600	30	11	236-30007	28	66	400-21899	24	42	400-28555	2	41
229-33659	30	9	236-30007	28	67	400-22407	2	55	400-28560	14	41
229-33758	30	10	236-30007	28	68	400-22589	18	12	400-28560	16	22
229-34202	31	21	236-30106	28	20	400-22590	18	13	400-28561	14	42
229-34251	31	15	236-30106	28	28	400-22678	4	6	400-28561	16	23
229-34301	31	16	236-30106	28	35	400-23568	6	32	400-28562	14	43
229-34400	31	17	236-30106	28	75	400-23568	8	73	400-28562	16	24
229-34509	31	18	236-30601	28	26	400-23569	6	33	400-28563	14	44
229-34608	31	19	236-30601	28	33	400-23569	8	74	400-28563	16	25
229-34707	31	12	236-30650	28	29	400-24064	8	67	400-28564	12	66
229-37965	4	32	236-30650	28	36	400-24093	4	4	400-28652	4	41
229-45307	10	11	260-34702	36	15	400-24436	4	18	400-28656	18	40
229-45307	10	24	260-34801	36	13	400-24473	8	58	400-28666	6	20
229-45307	12	11	262-30409	28	69	400-25161	10	20	400-28668	8	36
229-45307	12	46	262-33700	36	14	400-25161	12	42	400-28679	8	60
229-45505	10	7				400-25162	10	12	400-28689	28	1
229-45505	12	6	400-00344	28	23	400-25162	10	25	400-28705	28	7
229-52501	20	84	400-04171	4	16	400-25162	12	47	400-28706	2	45
229-54200	25	5	400-08323	2	74	400-25191	31	7	400-28707	2	24
229-54309	25	6	400-09196	26	6	400-25235	2	38	400-28730	2	27
229-54408	25	11	400-09222	10	54	400-25247	2	34	400-28731	2	68
229-54606	25	14	400-09222	12	36	400-25316	20	65	400-28766	2	2

NUMERICAL INDEX OF PARTS

索引

PART NO 品番	PAGE 頁	REF NO	PART NO 品番	PAGE 頁	REF NO	PART NO 品番	PAGE 頁	REF NO	PART NO 品番	PAGE 頁	REF NO
400-28773	28	17	400-33668	20	80	400-42286	28	32			
400-28774	28	18	400-33669	6	23	400-42287	28	25			
400-28778	31	2	400-33669	8	75	400-42874	2	40			
400-28797	26	24	400-33995	20	15	400-42880	2	39			
400-28799	26	25	400-34053	2	47	400-43322	4	51			
400-28843	12	72	400-34246	28	41	400-43330	16	43			
400-28844	12	55	400-34267	30	8	400-43330	16	70			
400-28851	18	2	400-34303	16	67	400-43331	16	39			
400-28852	20	51	400-34649	28	3	400-43332	16	37			
400-28853	6	27	400-34660	10	43	400-43333	16	34			
400-28853	8	80	400-34660	12	24	400-43334	16	35			
400-28854	20	5	400-34675	2	42	400-43335	16	51			
400-28855	20	72	400-34840	10	52	400-43336	16	52			
400-29027	25	12	400-34840	12	33	400-43921	18	10			
400-29047	4	39	400-34853	31	3	400-43922	18	28			
400-29048	4	35	400-34926	28	2	400-43923	18	11			
400-29049	4	43	400-34969	18	8	400-43924	18	29			
400-29075	28	22	400-34970	18	26	400-44393	24	51			
400-29078	2	20	400-34971	18	9	400-46212	4	50			
400-29079	20	20	400-34972	18	27	400-50003	16	1			
400-29257	20	88	400-34974	22	32	400-50314	22	46			
400-29347	2	22	400-35151	22	11	400-50584	20	92			
400-29350	25	28	400-35167	25	2	400-51384	22	8			
400-29561	8	35	400-35168	25	15	400-52366	10	5			
400-29562	8	43	400-35180	2	51	400-52366	12	4			
400-29570	18	18	400-35181	22	16	400-53172	20	47			
400-29641	2	16	400-35264	28	76	400-53231	22	19			
400-29905	30	2	400-35277	25	33	400-53371	16	29			
400-29964	4	11	400-35278	25	32	400-55358	16	20			
400-30027	8	85	400-35298	22	21	400-55358	36	20			
400-30037	6	30	400-35298	22	23	400-55883	32	1			
400-30038	6	37	400-35394	22	4	400-56385	32	21			
400-30298	2	14	400-35441	12	71	400-56438	32	22			
400-30768	36	38	400-35704	20	50	400-56685	22	48			
400-30856	25	27	400-35828	22	22	400-56686	22	49			
400-30915	18	3	400-35873	36	41	400-56698	10	10			
400-30954	32	17	400-36125	36	40	400-56698	12	9			
400-30956	26	12	400-36167	28	8	400-56705	36	4			
400-30962	32	4	400-36221	32	2	400-57361	16	11			
400-31348	20	26	400-36222	32	3	400-57398	22	5			
400-31349	20	40	400-36223	32	9	400-59504	32	16			
400-31350	20	75	400-36333	28	61	400-59505	32	19			
400-31351	18	4	400-36359	24	4	400-59784	14	5			
400-31352	24	33	400-36360	25	18	400-59785	14	6			
400-31862	6	34	400-36428	36	39	400-59786	16	60			
400-31864	4	13	400-36433	20	18	400-59787	16	61			
400-32107	31	1	400-36446	24	36	400-60689	10	57			
400-32124	6	26	400-36679	20	56	400-60689	12	52			
400-32124	8	79	400-36682	14	46	400-60693	10	41			
400-32142	4	34	400-36683	14	47	400-60693	12	22			
400-32147	8	55	400-36684	14	3	400-60840	10	42			
400-32268	20	45	400-36685	14	4	400-60840	12	23			
400-32269	20	10	400-36686	14	50	400-62489	20	95			
400-32272	22	38	400-36687	14	15	400-62517	20	93			
400-32293	20	22	400-36687	14	51						
400-32327	12	53	400-36688	14	53						
400-32405	28	55	400-36689	14	9						
400-32406	28	56	400-36689	14	55						
400-32707	10	1	400-36690	2	61						
400-32708	10	2	400-37488	36	37						
400-32709	10	3	400-39391	14	7						
400-32710	12	1	400-39604	28	46						
400-32711	12	2	400-39625	28	85						
400-32804	28	44	400-39629	8	9						
400-32896	2	43	400-40549	14	39						
400-32987	4	21	400-40549	16	26						
400-32993	4	23	400-40550	14	40						
400-32994	4	24	400-40550	16	27						
400-33160	24	52	400-40809	28	74						
400-33408	25	1	400-40924	20	87						
400-33409	30	1	400-41578	28	82						
400-33434	22	24	400-41579	28	83						
400-33435	22	25	400-42086	28	81						
400-33437	26	1	400-42121	14	1						
400-33439	36	1	400-42141	18	16						
400-33667	4	44	400-42151	26	17						