



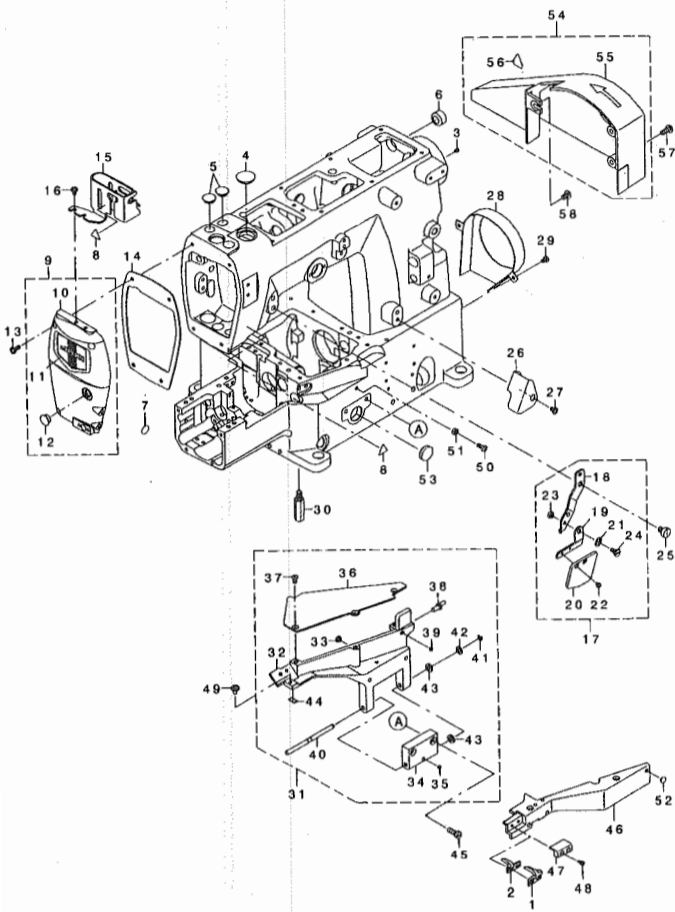
High-speed, Cylinder-bed Coverstitch Machine

MF-7800 Series

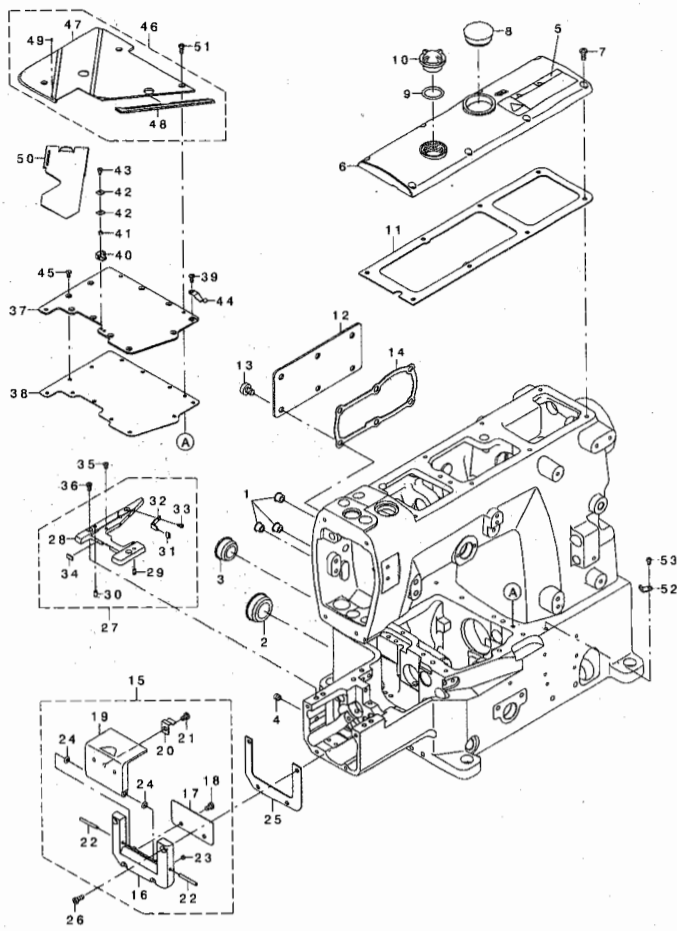
PARTS LIST

13450002  
No.1379-00

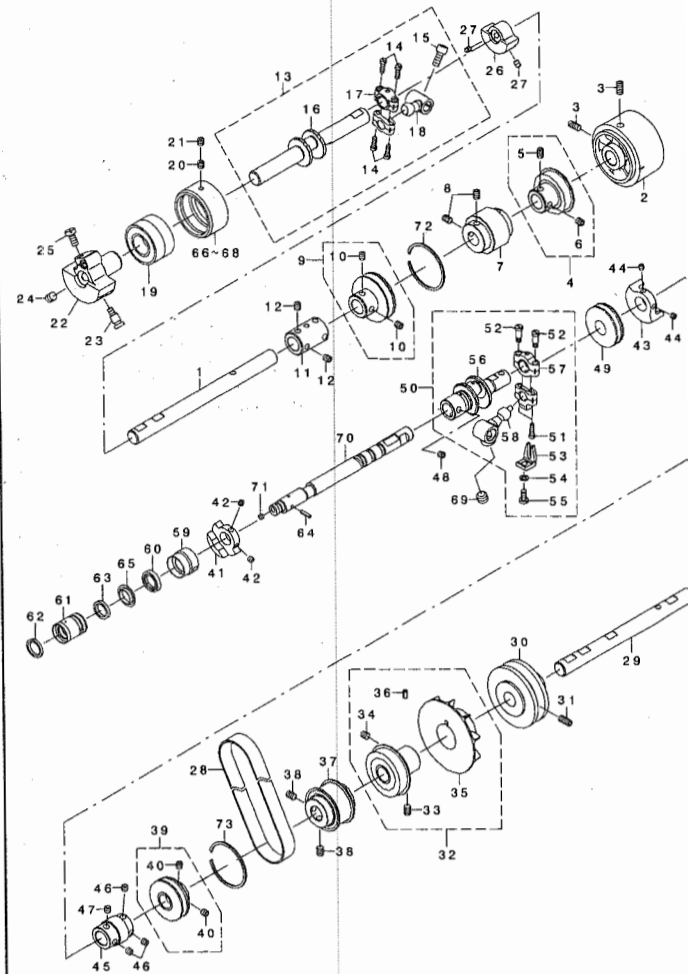
1. FRAME & MISCELLANEOUS COVER COMPONENTS (1)



2. FRAME & MISCELLANEOUS COVER COMPONENTS (2)



3. MAIN SHAFT COMPONENTS



REF.NO	NOTE	PART NO.	DESCRIPTION	Qty
1	#02	134-38007	COVERING_GUARD_R	1
2	#02	134-38106	COVERING_GUARD_L	1
3		SM-8040412-TP	SET SCREW M4 L=4	3
4		TA-2050406-R0	RUBBER PLUG	1
5		TA-1250406-R0	RUBBER PLUG D=12.5 L=4	2
6		TA-1701002-R0	RUBBER PLUG	1
7		229-01805	GROUND MARK	1
8		CH-3002000-01	ATTENTION SEAL	2
9		133-00959	ASSY_HEAD_COVER	1
10		133-00900	HEAD_COVER	(1)
11		229-02506	FACE PLATE	(1)
12		TA-1050504-R0	RUBBER PLUG	(1)
13		SM-4041055-SP	SCREW	4
14		133-01007	GASKET H	1
15		133-01304	NEEDLE BAR GUARD	1
16		SM-4040655-SP	SCREW M4 L=6	2
17		133-01759	PROTECTION_SHIELD_ASSY	1
18		133-01502	BRACKET HOLDER	(1)
19		133-01601	BRACKET	(1)
20		133-01700	PROTECTION SHIELD	(1)
21		WZ-0641510-KP	WAVED WASHER 6.4X11X0.3	(1)
22		SM-1030455-SH	SCREW	(2)
23		NM-6040001-SP	NUT M4X0.7	(1)
24		SD-0640240-SP	HINGE SCREW D=6.35 H=2.4	(1)
25		SM-6060800-SP	SCREW M6 L=8	1
26		133-01403	THREAD COVER	1
27		SM-4040655-SP	SCREW M4 L=6	1
28		133-02401	LMS_FAN_COVER	(1)
29		SM-4040655-SP	SCREW M4 L=6	2
30		133-01809	SUPPORT STUD	4
31		134-00957	SWING_DOWN_COVER_ASSY	(1)
32		134-00908	SWING_DOWN_COVER	(1)
33		133-02302	RUBBER BUMPER	(1)
34		134-01203	HINGE	(1)
35		SM-8040360-TP	SCREW	(1)
36		134-01005	CLOTH PLATE FRONT	(1)
37		SM-1040800-SP	SCREW	(3)
38		134-02706	PIN FOR COVER	(1)
39		SM-8040360-TP	SCREW	(1)
40		134-03506	PIN FOR S D COVER	(1)
41		RE-0300000-K0	E-RING 3	(1)
42		WP-0550800-SP	WASHER 5.5X10X0.8	(1)
43		133-02708	RUBBER WASHER	(2)
44		134-03605	RUBBER PLATE	(1)
45		SM-6051400-SP	SCREW	2
46		134-02904	BRACKET H	1
47	#01	134-01104	BRACKET	1
48		SM-6030600-SP	SCREW M3X0.5 L=6	2
49		SL-4040805-SC	SCREW	2
50		SM-4041055-SP	SCREW	1
51		NM-6040001-SP	NUT M4X0.7	1
52		133-02302	RUBBER BUMPER	1
53		TA-1900502-R0	RUBBER PLUG	1
54		133-02658	DRIVING BELT COVER ASSY	1
55		133-02609	DRIVING BELT COVER	(1)
56		CH-3002000-A1	CAUTION LABEL(16)	(1)
57		SM-4051255-SP	SCREW .M5 L=12.	2
58		SM-4050855-SP	SCREW	1

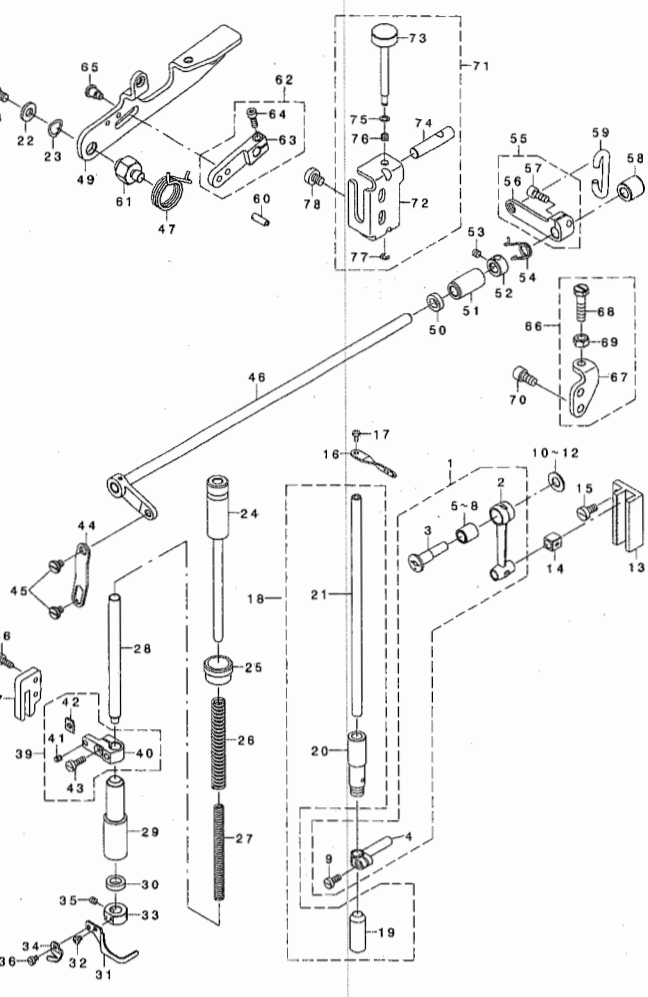
Note #01...FOR MF-7800-U10  
#02...FOR MF-7800-K10

REF.NO	NOTE	PART NO.	DESCRIPTION	Qty
1		TA-0850604-R0	RUBBER PLUG	3
2		107-53309	WINDOW PLATE RUBBER PLUG	1
3		TA-2351004-R0	RUBBER PLUG	1
4		SM-8060612-TP	SCREW M6 L=6	2
5		CM-3002001-B1	SAFETY LABEL 12	1
6		133-00702	TOP COVER	1
7		SM-4041055-SP	SCREW	8
8		107-53309	WINDOW PLATE RUBBER PLUG	1
9		RO-1952401-00	RUBBER RING	1
10		229-24708	OIL SIGHT WINDOW	1
11		133-00801	GASKET T	1
12		133-01106	PULLER DRIVE COVER	1
13		SM-6060800-SP	SCREW M6 L=8	6
14		133-01205	GASKET P	1
15		134-01757	SIDE COVER ASSY	1
16		134-01500	CYLINDER COVER	(1)
17		134-01807	CYLINDER COVER PLATE	(1)
18		SM-4040855-SP	SCREW M4 L=6	(2)
19		134-01708	SIDE COVER	(1)
20		134-01906	LATCH SPRING 2	(1)
21		SM-4040655-SP	SCREW M4 L=6	(1)
22		PH-0300252-C0	PARALLEL PIN	(2)
23		SM-8040360-TP	SCREW	(2)
24		RO-0371801-00	RUBBER RING	(2)
25		134-01609	GASKET	1
26		SM-4041055-SP	SCREW	4
27		134-00650	ASSY_TP_SUPPORT	(1)
28		134-00601	THROAT PLATE SUPPORT	(1)
29		133-01908	DOWEL PIN	(1)
30		133-02500	DOWEL PIN 2	(1)
31		236-30007	TUBE	(0.01)
32		134-03407	SLIDE_COVER_SUPPORT	(1)
33		SM-4030655-SP	SCREW	(2)
34		134-03605	RUBBER PLATE	(1)
35		133-02203	SCREW	2
36		SM-4040855-SP	SCREW	3
37		134-00700	BED TOP COVER	1
38		134-00809	GASKET B	1
39		SM-6040870-SP	SCREW	1
40		134-02300	NIPPER PLATE	1
41		134-02805	SPRING	1
42		134-02409	NIPPER SPRING PLATE	2
43		133-26202	SHOULDER SCREW	1
44		134-02003	LATCH SPRING	1
45		SM-1040800-SP	SCREW	9
46		134-01351	CLOTH_PLATE_ASSY	1
47		134-01302	CLOTH PLATE REAR	(1)
48		134-02102	THD GUIDE	(1)
49		PS-0150042-K0	SPRING PIN 1.5X 4	(1)
50		134-01401	SLIDE COVER	1
51		SM-4041055-SP	SCREW	3
52		134-02201	LOOPER THD GUIDE	1
53		SM-4040655-SP	SCREW M4 L=6	1

REF.NO	NOTE	PART NO.	DESCRIPTION	Qty
1		133-07004	UPPER MAINSHAFT RIGHT	1
2		134-06608	UPPER PULLEY	1
3		SM-8061212-TP	SCREW M6X12	2
4		133-07251	BEARING ASSY A	1
5		SM-8060842-TP	SCREW M6 L=8	(1)
6		SM-8060612-TP	SCREW M6 L=6	(1)
7		133-07301	UMS_SPROCKET	1
8		SM-8060812-TP	SCREW M6 L=8	4
9		133-07459	BEARING ASSY B	1
10		SM-8060612-TP	SCREW M6 L=6	(2)
11		133-07509	JOINT	1
12		SM-8060612-TP	SCREW M6 L=6	4
13		133-07657	UMS_LEFT_ROD_ASSY	1
14		133-24108	SCREW	(4)
15		SM-6061402-TP	SCREW M6 L=14	(1)
16		133-07608	UPPER MAINSHAFT LEFT	(1)
17		133-24009	ROD	(1)
18		133-24207	CRANK	(1)
19		SB-1200019-00	BEARING	1
20		SM-8060842-TP	SCREW M6 L=8	1
21		SM-8060612-TP	SCREW M6 L=6	1
22		133-07707	COUNTER WEIGHT	1
23		133-09208	SCREW_FOR_COUNTERWEIGHT	1
24		SM-8080812-TP	SCREW M8X8	1
25		SM-6061200-SP	SCREW	1
26		134-08307	BALANCE_WEIGHT_UNB	1
27		SM-8060812-TP	SCREW M6 L=8	2
28		134-06905	TIMING BELT	1
29		134-07101	LOWER MAINSHAFT RIGHT	1
30		134-06707	LOWER PULLEY	1
31		SM-8061212-TP	SCREW M6X12	2
32		SM-8060612-TP	SCREW M6 L=6	(1)
33		SM-8060842-TP	SCREW M6 L=8	(1)
34		SM-8060612-TP	SCREW M6 L=6	(1)
35		133-09000	LMS_FAN	(1)
36		PS-0400082-KP	SPRING PIN	(1)
37		133-08309	LMS_SPROCKET	1
38		SM-8060812-TP	SCREW M6 L=8	4
39		134-07457	BEARING_ASSY_E	1
40		SM-8060612-TP	SCREW M6 L=6	(2)
41		134-08406	BALANCE_WEIGHT_LMS_1	1
42		SM-8050512-TP	SCREW	2
43		134-08505	BALANCE_WEIGHT_LMS_2	1
44		SM-8050512-TP	SCREW	2
45		134-07507	JOINT GEAR	1
46		SM-8060552-TP	SCREW M6 L=5	3
47		SM-8060842-TP	SCREW M6 L=8	1
48		SM-8060552-TP	SCREW M6 L=5	2
49		SB-1150023-00	BEARING	1
50		134-07259	CRANK JOINT ROD ASSY	1
51		133-24108	SCREW	(2)
52		SD-0550906-TP	SHOULDER SCREW	(2)
53		133-37100	GUIDE LOOPER ROD	(1)
54		MS-0510002-KP	SPRING WASHER 5.1X9.2X1.3	(1)
55		SM-4051055-SP	SCREW	(1)
56		134-07200	CRANK JOINT	(1)
57		134-24205	ROD	(1)
58		134-24106	CRANK	(1)
59		134-07705	BUSHING LMS MIDDLE	1
60		134-08703	OIL SEAL	1
61		134-07804	BUSHING LMS LEFT	1
62		134-07903	OIL SEAL	1
63		134-08604	FELT_LMS_LEFT_BUSH	1
64		PS-0300122-KH	SPRING PIN 3X12	1
65		134-06806	COVER_LMS_M_BUSH	1
66	#01	133-07806	HOUSING A	1
67	#01	133-09307	HOUSING B	1
68	#01	133-09406	HOUSING C	1
69		SM-8550952-TP	SCREW	1
70		134-07606	LOWER MAINSHAFT LEFT	1
71		SM-8050412-TP	SCREW M5 L=4	1
72		RC-4881514-KP	C-RING	1
73		RC-4381514-KP	C-RING	1

Note #01...SELECTIVE PARTS

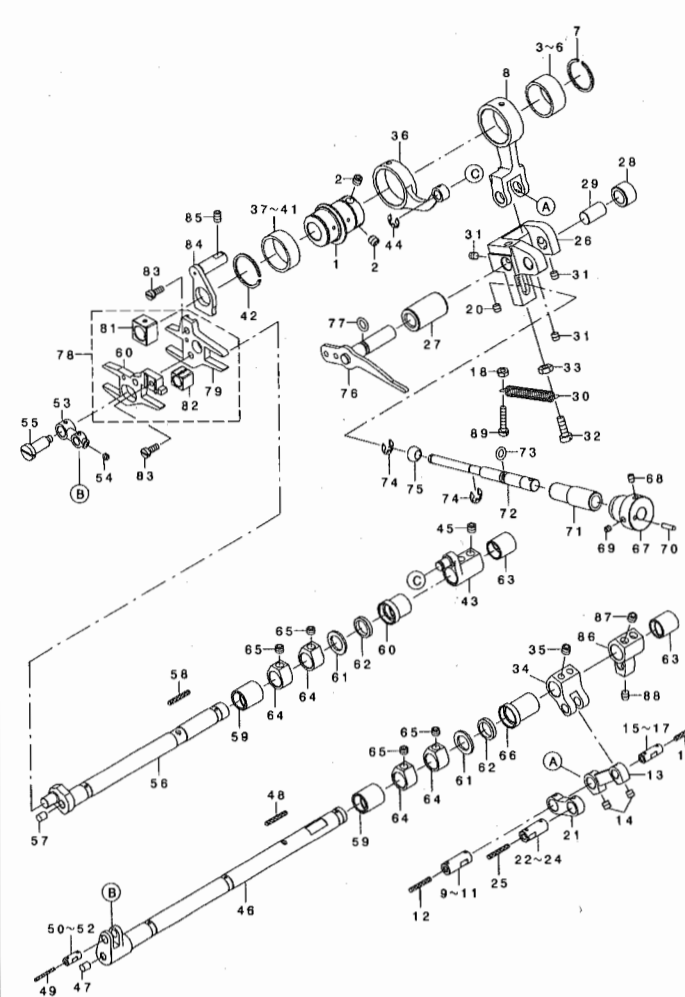
NEEDLE BAR & PRESSER COMPONENTS



REF. NO	NOTE	PART NO.	DESCRIPTION	Qty
1		133-11253	ASSY_NEEDLE_MECH	1
2		133-11204	CONNECTING ROD	(1)
3		133-11006	ECCENTRIC PIN	(1)
4		133-11303	NEEDLE BAR CLAMP	(1)
5	#01	SB-3080011-0A	BEARING	(1)
6	#01	SB-3080011-0B	BEARING	(1)
7	#01	SB-3080011-0C	BEARING	(1)
8	#01	SB-3080011-0D	BEARING	(1)
9		SM-6041000-SP	SCREW M4 L=10	(1)
10	#01	133-12103	THRUST WASHER	1
11	#01	133-12202	THRUST WASHER	1
12	#01	133-12301	THRUST WASHER	1
13		133-11800	NEEDLE BAR GUIDE	1
14		133-11501	SLIDE BLOCK	1
15		SM-6051000-SP	SCREW	3
16		133-26806	NEEDLE BAR EYELET	1
17		SM-4030655-SP	SCREW	1
18		133-11956	ASSY_BUSHING_NB	1
19		133-11907	BUSHING NB LOWER	(1)
20		133-11808	BUSHING NB UPPER	(1)
21		133-11451	NEEDLE BAR ASSY	(1)
22		WP-0702026-SP	WASHER 7X15X2	1
23		VZ-1052010-KP	WAVED WASHER	1
24		133-13051	ADJ SCREW P B ASSY	1
25		133-13101	LOCKING NUT	1
26		133-13309	SPRING PRESSER BAR A	1
27		133-13408	SPRING PRESSER BAR B	1
28		133-13507	PRESSER BAR	1
29		133-13705	BUSHING PRESSER BAR	1
30		133-15908	OIL SEAL	1
31		133-16005	FINGER GUARD	1
32		SM-4030455-SP	SCREW	1
33		133-13606	COLLAR	1
34		133-16302	THREAD TRIMMER	1
35		SM-8040410-TP	SCREW	2
36		SM-6030500-SN	SCREW M3 L=5	1
37		133-13804	GUIDE PLATE	1
38		SM-6041000-SP	SCREW M4 L=10	2
39		133-13952	P_B_BRACKET_ASSY	1
40		133-13903	PRESSER BAR BRACKET	(1)
41		133-16203	P_B_BRACKET_PIN	(1)
42		133-33208	WASHER	(1)
43		SM-6041200-SP	SCREW M4 L=12	(1)
44		133-14109	LINK	1
45		SD-0700206-TP	SHOULDER SCREW	2
46		133-14356	ASSY_LIFTER_SHAFT	1
47		133-15205	SPRING LIFTER LEVER	1
48		SM-6061002-TP	SCREW M6 L=10	1
49		133-15007	LIFTER LEVER	1
50		235-37202	HOOK SHAFT OIL SEAL	1
51		133-14406	BUSHING LIFTER FRONT	1
52		CS-0800881-TP	THRUST COLLAR	1
53		SM-8050412-TP	SCREW M5 L=4	2
54		133-14802	SPRING PF LIFT	1
55		133-14752	LIFTER SHAFT LEVER ASSY	1
56		133-14703	LIFTER SHAFT LEVER	(1)
57		SM-6051202-TP	SCREW M5X0.8 L=12	(1)
58		133-14505	BUSHING LIFTER REAR	1
59		133-14901	LIFTER HOOK	1
60		PS-0500142-KP	SPRING PIN	1
61		133-15106	LIFTER LEVER HOLDER	1
62		133-15353	TENS_RELEASE_LEVER_ASSY	1
63		133-15304	TENSION RELEASE LEVER	(1)
64		SM-6041202-TP	SCREW M4X0.7 L=12	(1)
65		SD-0700586-TP	SHOULDER SCREW	1
66		133-15551	STOPPER ASSY	1
67		133-15502	LIFTER LEVER STOPPER	(1)
68		SM-9062550-TP	SCREW	(1)
69		NH-6060001-CP	NUT M6	(1)
70		SM-6061202-TP	SCREW M6 L=12	2
71		133-15650	MINUTE LIFTING ASSY	1
72		133-15601	BRACKET	(1)
73		133-15700	SCREW	(1)
74		133-15809	SLIDER	(1)
75		WP-0400556-SD	WASHER 4.5X10X0.5	(1)
76		131-23302	ADJUSTING SPRING	(1)
77		RE-0300000-KO	E-RING 3	(1)
78		SM-6060800-SP	SCREW M6 L=8	2

Note #01...SELECTIVE PARTS

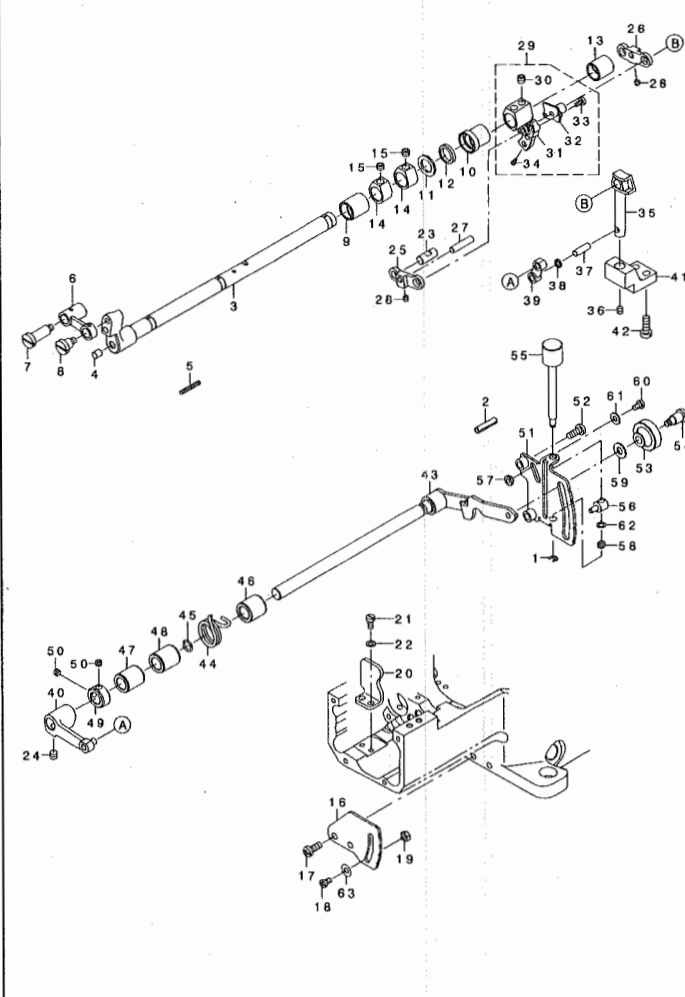
5. FEED DRIVE COMPONENTS (1)



REF. NO	NOTE	PART NO.	DESCRIPTION	Qty
1		134-10006	FEED ECCENTRIC	1
2		SM-8090612-TP	SCREW M6 L=6	2
3	#01	R1426-180-A00	NEEDLE BEARING (A)	1
4	#01	R1426-180-B00	NEEDLE BEARING (B)	1
5	#01	R1426-180-C00	NEEDLE BEARING (C)	1
6	#01	R1426-180-D00	NEEDLE BEARING (D)	1
7		RC-2251213-KP	C-RING	1
8		134-10105	CRANK ROD	1
9	#01	133-23308	FEED_ADJ_LINK_PIN_A	1
10	#01	133-23407	FEED_ADJ_LINK_PIN_B	1
11	#01	133-23506	FEED_ADJ_LINK_PIN_C	1
12		CQ-3030000-00	OIL WICK	0.07
13		134-10204	MAIN ADJ LINK	1
14		SM-8050512-TP	SCREW	2
15	#01	133-18704	MAIN_FEED_CRANK_PIN_A	1
16	#01	133-18803	MAIN_FEED_CRANK_PIN_B	1
17	#01	133-18902	MAIN_FEED_CRANK_PIN_C	1
18		NH-0040001-SP	NUT M4X0.7	1
19		CQ-3030000-00	OIL WICK	0.04
20		SM-8050512-TP	SCREW	1
21		133-17300	ADJUST LINK	1
22	#01	134-10800	FEED_ADJ_LINK_PIN_A	1
23	#01	134-10709	FEED_ADJ_LINK_PIN_B	1
24	#01	134-10808	FEED_ADJ_LINK_PIN_C	1
25		CQ-3030000-00	OIL WICK	0.07
26		134-15708	FEED_ADJ_BLOCK	1
27		134-11004	BUSHING MAIN FEED ADJ	1
28		134-15807	BUSHING MAIN FEED ADJ	1
29		134-15906	SHAFT_FEED_ADJ_BLOCK	1
30		82546-232-000	PRESSURE SPRING	1
31		SM-8050512-TP	SCREW	4
32		SM-6051400-SP	SCREW	1
33		NH-6050001-SP	NUT M5	1
34		134-11509	MAIN_FEED_CRANK	1
35		SM-8060552-TP	SCREW M6 L=5	2
36		134-14305	FEED LIFT ROD	1
37	#01	121-16504	NEEDLE BEARING B	1
38	#01	121-10703	NEEDLE BEARING B	1
39	#01	121-16802	NEEDLE BEARING .C.	1
40	#01	121-16801	NEEDLE BEARING .D.	1
41	#01	121-17008	NEEDLE BEARING .E.	1
42		R1248-250-000	STOP RING	1
43		134-14404	FEED LIFT LEVER	1
44		RE-0500000-KO	E-RING	1
45		SM-8060552-TP	SCREW M6 L=5	2
46		134-11808	MAIN FEED SHAFT	1
47		TA-0500601-MO	PLUG D=5X5.4 L=6	1
48		CQ-3000000-01	OIL WICK	1
49		CQ-2020000-00	OIL WICK	0.6
50	#01	134-12992	MAIN_FEED_LINK_PIN_A	1
51	#01	134-12101	MAIN_FEED_LINK_PIN_B	1
52	#01	134-12200	MAIN_FEED_LINK_PIN_C	1
53		134-11905	MAIN FEED LINK	1
54		SM-8040412-TP	SET SCREW M4 L=4	1
55		SD-0801630-TUL	SHOULDER SCREW	1
56		134-14503	FEED LIFT SHAFT	1
57		TA-0500601-MO	PLUG D=5X5.4 L=6	1
58		CQ-3000000-01	OIL WICK	0.87
59		134-11707	BUSHING FEED MECH	2
60		134-09206	BUSHING FEED MECH	1
61		134-09107	WASHER	2
62		E3025-721-000	OIL SEAL	2
63		134-15500	BUSHING FEED MECH	2
64		134-11806	COLLAR	4
65		SM-8060412-TP	SCREW	4
66		134-08802	BUSHING FEED MECH	1
67		133-18001	KNOB FEED ADJUST	1
68		SM-8040602-TP	SCREW M4X0.7 L=6	1
69		SM-8040412-TP	SET SCREW M4 L=4	1
70		B3215-470-000	PIN	1
71		134-11400	BUSHING FEED ADJ	1
72		134-11301	SHAFT FEED ADJ	1
73		RO-0652001-00	RUBBER RING	1
74		RE-0500000-KO	E-RING	2
75		133-18308	STOPPER FEED ADJUST	1
76		134-11152	INDICATOR ASSY	1
77		RO-0681901-00	RUBBER RING	1
78		134-13950	FEED_BAR_ASSY	1
79		134-13901	MAIN FEED BAR	(1)
80		134-14008	DIFF FEED BAR	(1)
81		134-13703	SLIDE BLOCK 1	(1)
82		134-13802	SLIDE BLOCK 2	(1)
83		SM-6041000-SP	SCREW M4 L=10	2
84		134-14107	FEED BAR GUIDE 1	1
85		SM-8050812-TP	SCREW M5X8	1
86		134-13307	DIFF FEED CRANK	(1)
87		SM-8060552-TP	SCREW M6 L=5	2
88		SM-8050512-TP	SCREW	1
89		SM-6042000-SP	SCREW	1

Note #01...SELECTIVE PARTS

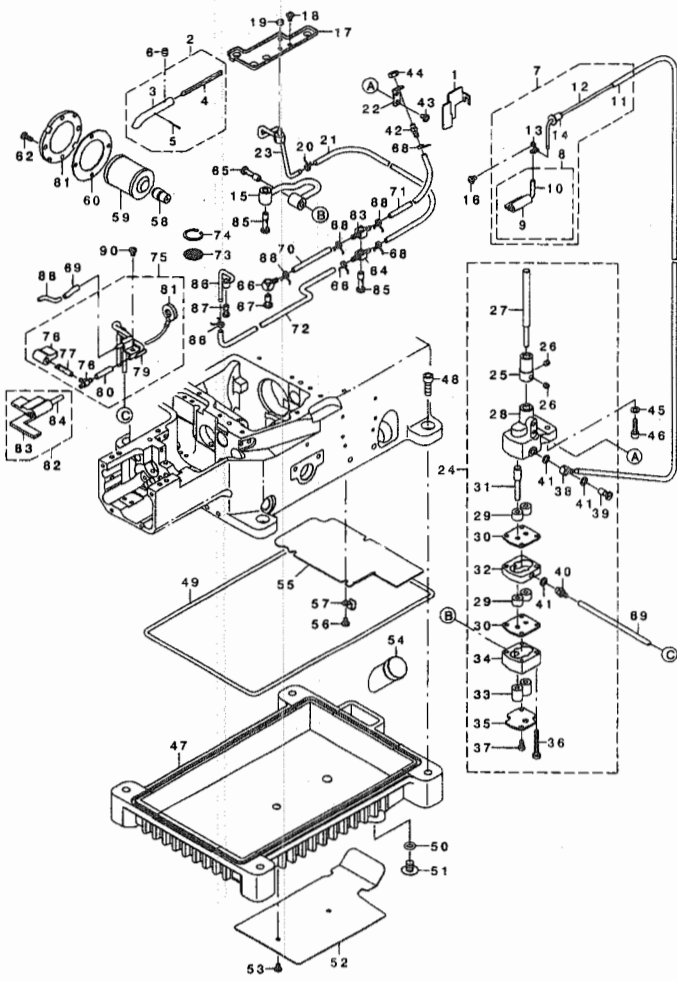
6. FEED DRIVE COMPONENTS (2)



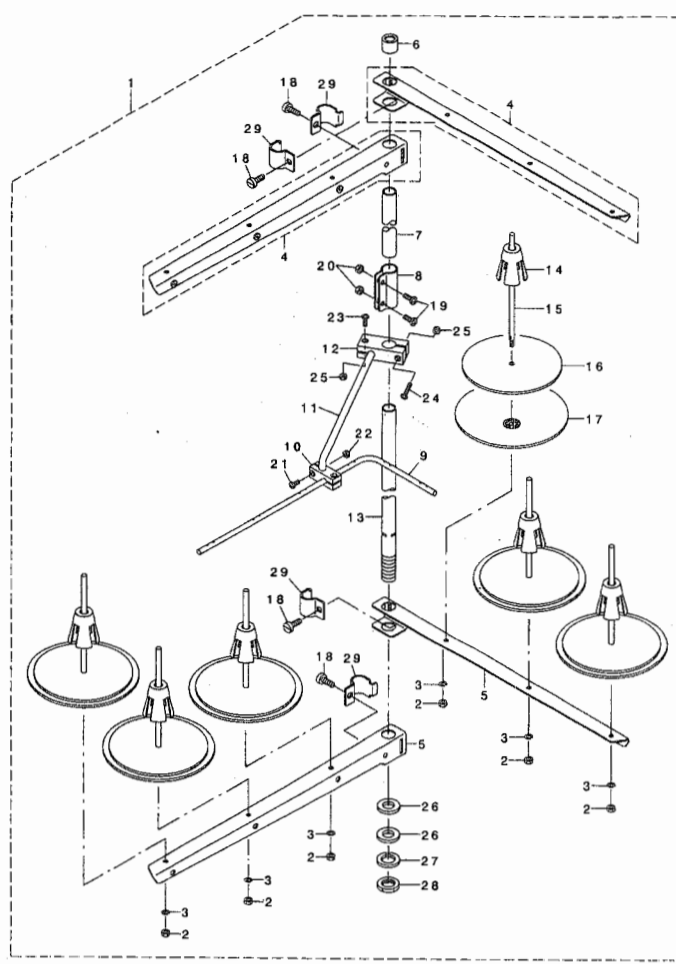
REF. NO	NOTE	PART NO.	DESCRIPTION	Qty
1		RE-0300000-KO	E-RING 3	1
2		PS-0500202-KP	SPRING PIN 5X20	1
3		134-13406	DIFF FEED SHAFT	1
4		TA-0500601-MO	PLUG D=5X5.4 L=6	1
5		CQ-3000000-01	OIL WICK	1
6		134-13604	DIFF FEED LINK	1
7		SD-0801866-TH	SHOULDER SCREW	1
8		SD-0800626-TH	SHOULDER SCREW	1
9		134-11707	BUSHING FEED MECH	1
10		134-09206	BUSHING FEED MECH	1
11		134-09107	WASHER	1
12		E3025-721-000	OIL SEAL	1
13		134-15500	BUSHING FEED MECH	1
14		134-11806	COLLAR	2
15		SM-8060412-TP	SCREW	2
16		134-11202	PLATE MAIN FEED ADJ	1
17		SM-4051255-SP	SCREW .M5 L=12	2
18		SM-4040655-SN	SCREW M4X0.7 L=6	1
19		NH-6040000-SN	NUT M4	1
20		134-14206	FEED BAR GUIDE 2	1
21		SM-6040800-SP	SCREW	2
22		WP-0450846-SP	WASHER	2
23		134-09909	DIFF FEED_CRANK_PIN	1
24		SM-8060552-TP	SCREW M6 L=5	2
25		134-09602	DIFF DRIVE LINK L	1
26		134-09701	DIFF DRIVE LINK R	1
27		134-09800	DIFF FEED_PIN	1
28		SM-8040412-TP	SET SCREW M4 L=4	2
29		134-16052	DIFF FEED_ARM_ASSY	1
30		SM-8060552-TP	SCREW M6 L=5	(2)
31		134-16102	DIFF FEED_PIN_1	(1)
32		134-16201	DIFF FEED_PIN_2	(1)
33		SM-6030650-TP	SCREW	(2)
34		SM-4850455-SP	SCREW	(1)
35		134-16458	SLIDER GUIDE ASSY	1
36		SM-8040512-TP	SCREW	1
37		134-16508	PIN DIFF_ADJ	1
38		134-12705	SPACER	1
39		134-13206	DIFF ADJ LINK	1
40		134-16854	DIFF ADJ LEVER ASSY	1
41		134-16706	SLIDER GUIDE_BLOCK	1
42		SM-6051400-SP	SCREW	2
43		134-15252	DIFF ADJ_LEVER_ASSY	1
44		134-15401	TORSION SPRING	1
45		RO-0681901-00	RUBBER RING	1
46		134-15104	BUSHING FEED ADJ	1
47		134-14701	BUSHING FEED ADJ	1
48		134-09305	BUSHING FEED ADJ	1
49		CS-1000881-TP	THRUST COLLAR	1
50		SM-8050412-TP	SCREW M5 L=4	2
51		134-15302	PLATE DIFF_ADJ_LEVER	1
52		SM-4051255-SP	SCREW .M5 L=12	2
53		132-17500	DIFFERENTIAL FEED LOCK NUT	1
54		132-17401	DIFFERENTIAL FEED HINGE SCREW	1
55		134-17100	SCREW	1
56		132-17708	DIFFERENTIAL FEED BLOCK	1
57		133-21203	STOPPER DIFF ADJ	1
58		131-23302	ADJUSTING SPRING	1
59		WP-0621016-SD	WASHER 6.2X13X1	1
60		SM-4040655-SN	SCREW M4X0.7 L=6	1
61		WP-0450826-SC	WASHER 4.5X10X0.8	1
62		WP-0460556-SD	WASHER 4.6X7.5X0.5	1
63		WP-0450826-SC	WASHER 4.5X10X0.8	1

# MF-7800 Series No.2

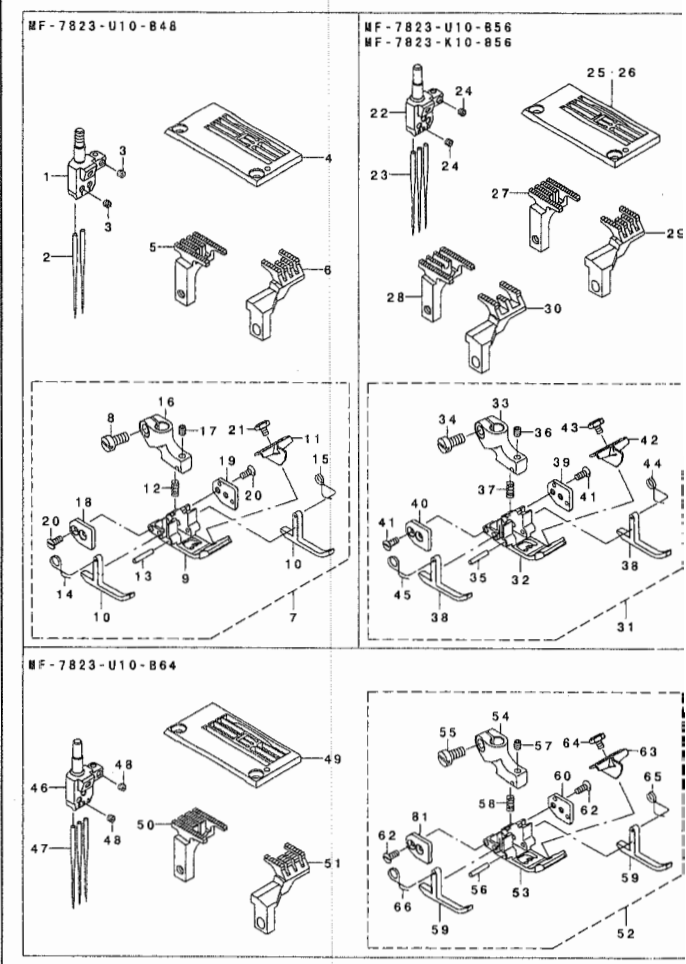
## 13. LUBRICATION COMPONENTS



## 14. THREAD STAND COMPONENTS



## 15. GAUGE PARTS COMPONENTS



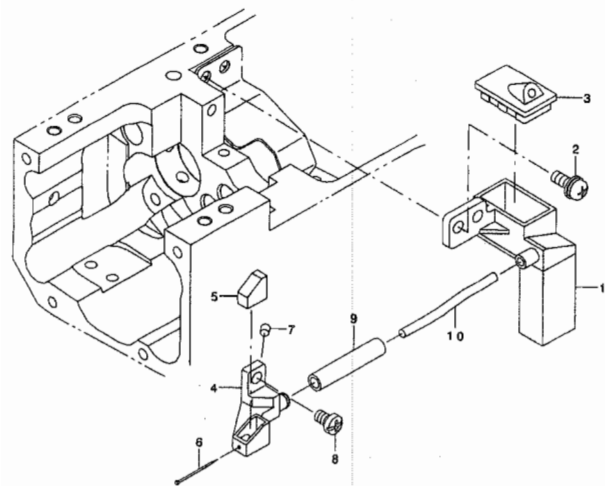
REF.NO	NOTE	PART NO.	DESCRIPTION	Qty
1		133-43900	OIL_PROTECTION_SHIELD	1
2		133-43652	ASSY_OIL_TUBE	1
3		133-43603	OIL TUBE	(1)
4		133-44205	FELT_FOR_HEAD_LUB	(1)
5		118-56101	NEEDLE_COOLER_PIN	(1)
6		SM-8060812-TP	SCREW M6 L=8	1
7		133-44056	ASSY_HEAD_SUCTION	1
8		133-44155	ASSY_HEAD_SUCTION 2	(1)
9		400-19163	FELT_FOR_HEAD_SUCTION	(1)
10		133-46408	OIL_TUBE_FOR_SUCTION	(1)
11		236-30007	TUBE	(0.43)
12		133-44601	SUCTION PIPE	(1)
13		133-44502	PIPE CLAMP	(1)
14		133-44700	BUSHING FOR SUCTION	(1)
15		134-27257	ASSY_OIL_PIPE	1
16		SM-4040655-SP	SCREW M4 L=6	1
17		133-43504	OIL SAUCER	1
18		SM-4040655-SP	SCREW M4 L=6	2
19		NM-6040001-SP	NUT M4X0.7	1
20		236-29306	PIPE STOPPER A	1
21		BP-3000001-OR	VINYL PIPE	0.5
22		134-27307	CONNECTING_SCR_BRACKET	1
23		133-45053	ASSY_OIL_SUPPLY_FOR_TOP	1
24		134-26051	ASSY_PUMP_3-STAGE	1
25		133-43009	WORM WHEEL	(1)
26		SM-8050412-TP	SCREW M5 L=4	(2)
27		134-26002	OIL PUMP SHAFT LARGE	(1)
28		133-43108	OIL PUMP HOUSING	(1)
29		132-28309	OIL PUMP PINION	(4)
30		133-43405	OIL PUMP SPACER	(2)
31		134-26101	OIL PUMP SHAFT SMALL	(1)
32		134-26200	OIL PUMP CASING UPPER	(1)
33		132-28200	OIL PUMP PINION	(2)
34		133-43207	OIL PUMP CASING	(1)
35		133-43306	OIL PUMP COVER	(1)
36		SM-6043000-SP	SCREW	(2)
37		SM-6040600-SP	SCREW M4 L=6	(2)
38		SQ-0000451-HZ	CONNECTING SCREW	(1)
39		SQ-2060443-SD	CONNECTING SCREW	(1)
40		SQ-2060451-HZ	CONNECTING SCREW	(1)
41		400-04749	GASKET	(3)
42		SQ-2050452-HZ	CONNECTING SCREW	1
43		SM-4040655-SP	SCREW M4 L=6	2
44		NM-6050001-SP	NUT M5	1
45		WP-0550800-SP	WASHER 5.5X10X0.8	2
46		SM-8051602-TP	SCREW M5X0.8 L=16	2
47		134-26309	OIL PAN	1
48		SM-6081802-TP	SCREW	4
49		134-26408	O RING	1
50		131-70105	RUBBER RING	1
51		SM-0081001-SD	SCREW	1
52		133-46309	BREEZE_PLATE	1
53		SM-4040655-SP	SCREW M4 L=6	2
54		133-46101	OIL SIGHT GAUGE	1
55		134-26800	DUSTPROOF_PLATE	1
56		SM-4040655-SP	SCREW M4 L=6	3
57		134-27604	TUBE HOLDER	1
58		133-43801	FITTING FILTER	1
59		131-42500	CARTRIDGE_FILTER	1
60		133-44809	GASKET O	1
61		133-45202	FILTER_COVER	1
62		SM-4041055-SP	SCREW	4
63		SQ-0000453-HZ	CONNECTING SCREW	1
64		SQ-0000454-HZ	CONNECTING SCREW	1
65		SQ-2060442-SD	CONNECTING SCREW	1
66		SQ-0000452-HZ	CONNECTING SCREW	1
67		SQ-2060443-SD	CONNECTING SCREW	1
68		236-29306	PIPE STOPPER A	7
69		236-30007	TUBE	0.2
70		BP-3000001-OR	VINYL PIPE	0.09
71		BP-3000001-OR	VINYL PIPE	0.14
72		BP-3000001-OR	VINYL PIPE	0.13
73		134-26903	MESH PLATE	1
74		RC-1900002-KP	RETAIN ICE PIN	1
75		134-27851	ASSY_RED_SUCTION	1
76		134-27802	FELT_FOR_RED_SUCTION	(1)
77		134-28305	OIL_TUBE_FOR_SUCTION	(1)
78		137-85607	OIL_CONNEC_ARM	(1)
79		134-26754	OIL_SUCTION_ASSY	(1)
80		236-30007	TUBE	(0.03)
81		134-28255	ASSY_LOOPER_SUCTION	1
82		134-27752	ASSY_CYLINDER_SUCTION	1
83		134-27703	FELT_FOR_C_SUCTION	(1)
84		133-46408	OIL_TUBE_FOR_SUCTION	(1)
85		SQ-2060442-SD	CONNECTING SCREW	2
86		134-27455	ASSY_OIL_SUPPLY_FOR_LHS	1
87		SQ-2050391-SD	CONNECTING SCREW	1
88		134-28008	OIL_SUCTION_FOR_BUSHING	1
89		236-30007	TUBE	0.02
90		SM-4040655-SP	SCREW M4 L=6	1

REF.NO	NOTE	PART NO.	DESCRIPTION	Qty
1		131-68053	THREAD STAND ASM.	1
2		NM-6050001-SE	NUT M5	(6)
3		WS-0510002-KN	SPRING WASHER	(6)
4		131-68356	THREAD STANDING ARM ASM., LONG	(2)
5		131-68307	THREAD STANDING ARM LONG	(2)
6		229-31406	THREAD STANDING ROD RUBBER CAP	(1)
7		229-30408	THREAD STANDING ROD, UPPER	(1)
8		229-31307	THREAD STANDING ROD JOINT	(1)
9		131-67903	THREAD GUIDE	(1)
10		131-68000	THREAD GUIDE BASE, LOWER	(1)
11		131-68109	THREAD GUIDE ARM	(1)
12		131-68208	THREAD GUIDE ARM BASE	(1)
13		229-30309	THREAD STANDING ROD, LOWER	(1)
14		229-31109	SPOOL RETAINER	(6)
15		229-31000	SPOOL PIN	(6)
16		229-30903	SPOOL REST CUSHION	(6)
17		229-30804	SPOOL REST	(6)
18		SM-6061610-SC	SCREW M6 L=16	(4)
19		SM-4051405-SE	SCREW M5 L=14	(2)
20		NM-6050001-SE	NUT M5	(2)
21		SH-4041001-SC	SCREW M4X0.7 L=10	(2)
22		NM-6040002-SE	NUT M4X0.7	(2)
23		SM-4041201-SC	SCREW M4 L=12	(1)
24		SM-4042001-SC	SCREW M4 X 20	(1)
25		NM-6040002-SE	NUT M4X0.7	(2)
26		WP-1612616-SE	WASHER 16X30X2.6	(2)
27		WS-1643202-KR	SPRING WASHER	(1)
28		NM-6160511-SE	NUT M16X1.5	(1)
29		229-30705	THREAD GUIDE ARM JOINT	(4)

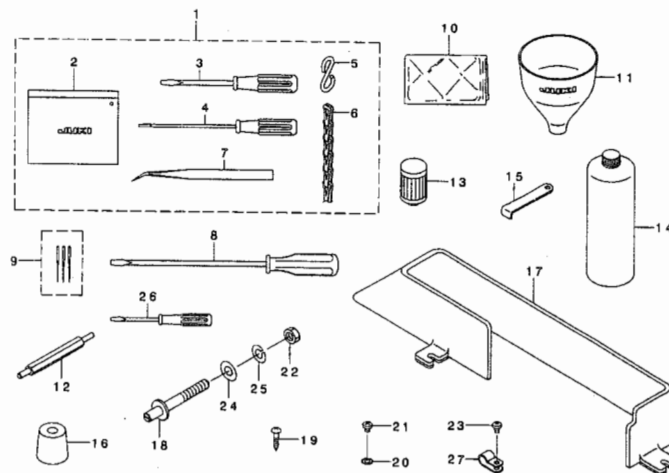
REF.NO	NOTE	PART NO.	DESCRIPTION	Qty
1		133-50509	NEEDLE_HEAD_48	1
2		MUY-128A1000	NEEDLE UYX128GAS #10	2
3		SM-8030350-TP	SCREW	3
4		133-54709	THROAT_PLATE	1
5		134-31200	MAIN_FEED_DOG	1
6		134-33503	DIFF_FEED_DOG	1
7		133-76058	PRESSER_FOOT_ASSY	1
8		SM-6040800-SP	SCREW	(1)
9		133-76009	PRESSER_FOOT_BOTTOM	(1)
10		133-75100	P_F_YIELDING_SECTION	(2)
11		133-76900	PRESSER_FOOT_GUIDE	(1)
12		133-77106	SPRING	(1)
13		133-75209	PIVOT_PIN	(1)
14		133-75308	SPRING_L	(1)
15		133-75407	SPRING_R	(1)
16		133-75506	PRESSER_FOOT_HINGE	(1)
17		SM-8030412-TP	SCREW	(1)
18		133-75605	GUIDE_PLATE_L	(1)
19		133-75704	GUIDE_PLATE_R	(1)
20		SM-1850600-SP	SCREW	(4)
21		133-77007	SCREW	(1)
22		133-50301	NEEDLE_HEAD_56	(1)
23		MUY-128A1000	NEEDLE UYX128GAS #10	3
24		SM-8030350-TP	SCREW	4
25	#01	133-54808	THROAT_PLATE_56	1
26	#02	133-52307	THROAT_PLATE	1
27	#01	134-31200	MAIN_FEED_DOG	1
28	#02	134-30707	MAIN_FEED_DOG	1
29	#01	134-33503	DIFF_FEED_DOG	1
30	#02	134-32901	DIFF_FEED_DOG	1
31		133-75050	PRESSER_FOOT_ASSY	1
32		133-75001	PRESSER_FOOT_BOTTOM	(1)
33		133-75506	PRESSER_FOOT_HINGE	(1)
34		SM-6040800-SP	SCREW	(1)
35		133-75209	PIVOT_PIN	(1)
36		SM-8030412-TP	SCREW	(1)
37		133-77106	SPRING	(1)
38		133-75100	P_F_YIELDING_SECTION	(2)
39		133-75704	GUIDE_PLATE_R	(1)
40		133-75605	GUIDE_PLATE_L	(1)
41		SM-1850600-SP	SCREW	(4)
42		133-76900	PRESSER_FOOT_GUIDE	(1)
43		133-77007	SCREW	(1)
44		133-75407	SPRING_R	(1)
45		133-75308	SPRING_L	(1)
46		133-50400	NEEDLE_HEAD_64	1
47		MUY-128A1000	NEEDLE UYX128GAS #10	3
48		SM-8030350-TP	SCREW	4
49		133-51200	THROAT_PLATE	1
50		134-30103	MAIN_FEED_DOG	1
51		134-32109	DIFF_FEED_DOG	1
52		133-75050	PRESSER_FOOT_ASSY	1
53		133-75001	PRESSER_FOOT_BOTTOM	(1)
54		133-75506	PRESSER_FOOT_HINGE	(1)
55		SM-6040800-SP	SCREW	(1)
56		133-75209	PIVOT_PIN	(1)
57		SM-8030412-TP	SCREW	(1)
58		133-77106	SPRING	(1)
59		133-75100	P_F_YIELDING_SECTION	(2)
60		133-75704	GUIDE_PLATE_R	(1)
61		133-75605	GUIDE_PLATE_L	(1)
62		SM-1850600-SP	SCREW	(4)
63		133-76900	PRESSER_FOOT_GUIDE	(1)
64		133-77007	SCREW	(1)
65		133-75407	SPRING_R	(1)
66		133-75308	SPRING_L	(1)

Note #01... FOR MF-7823-U10-B56  
#02... FOR MF-7823-K10-B56

NEEDLE COOLING MECHANISM COMPONENTS



17. ACCESSORIES PARTS COMPONENTS



F.NO	NOTE	PART NO.	DESCRIPTION	Qty
1		134-29055	SILICONE OIL TANK ASSY	1
2		SL-4041081-SC	SCREW M4 L=10	2
3		134-29105	SILICONE OIL TANK CAP	1
4		134-29204	SILICONE OIL CUP	1
5		134-29303	FELT	1
6		118-56101	NEEDLE COOLER PIN	1
7		TA-0290301-MO	PLUG	1
8		SM-4040655-SP	SCREW M4 L=6	1
9		BT-0600402-EA	OIL TUBE	0.03
0		CQ-3030000-00	OIL WICK	0.1

REF.NO	NOTE	PART NO.	DESCRIPTION	Qty
1		400-13913	ACCESSORY BAG ASSY	1
2		229-32800	ACCESSORIE BAG	(1)
3		229-33105	SCREW DRIVER,MIDDLE	(1)
4		123-47308	SCREW DRIVER (SMALL)	(1)
5		131-60304	S SHAPED HOOK	(2)
6		260-37903	CHAIN	(1)
7		122-88403	TWEEZERS	(1)
8		229-33006	SCREW DRIVER,LARGE	1
9		HUY-128S1003	NEEDLES(PACKAGE_OF_3)	1
10		229-33303	VINYL COVER	1
11		131-60601	FUNNEL	1
12		133-08952	SYNCHRONIZER_STUD_ASSY	1
13		131-42500	CARTRIDGE FILTER	1
14		MML-018900CA	JUKI MACHINE OIL 18	1
15		RS101-490-000	DRIVER	1
16		131-55403	DUST-PROOF RUBBER	4
17		134-29709	BELT_COVER	1
18		133-49600	PIN_FOR RUBBER_CUSHION	4
19		SK-3412001-SE	WOOD SCREW D=4.1 L=20	3
20		YT-0430002-KH	WASHER M4	1
21		SM-4040501-SH	SCREW M4X0.7 L=5	1
22		NH-6080003-SC	NUT M8	4
23		SM-4040655-SP	SCREW M4 L=6	1
24		WP-0851216-SC	WASHER 8.5X18.0X1.2	4
25		YS-0820002-KR	SPRING WASHER_M8	4
26		229-33204	SCREW DRIVER,SMALL	1
27		HX-0015000-OC	CABLE CLIP	1

JUKI CORPORATION

INTERNATIONAL SALES H.Q.  
8-2-1, KOKURYO - CHO, CHOFU-SHI  
TOKYO 182 - 8655, JAPAN

PHONE : (81)3-3430-4001 to 4005  
FAX : (81)3-3430-4909 . 4914 . 4984  
TELEX : J22967

Copyright © 2004 JUKI CORP.  
All rights reserved throughout the world.  
Printed in China