

JUKI®

High-speed, 2-Needle, / 4-Needle, Needle-feed,
Double Chainstitch Cylinder-bed Machine

高速2本針 / 4本針針送り二重環縫シリンダーベットミシン

MH-1410

PARTS LIST

HOW TO MAKE USE OF THIS PARTS LIST

1. As to "#01" and "#02" refer to the "Note" given at the bottom of the respective pages.
2. Codes on the "Qty" column
 - Each numeral indicates the number of parts required.
 - "0.1" and "2.5" indicate the length (in meters) of the respective parts.
3. Parentheses mean that the corresponding part is a subpart that constructs an assembly part.
4. Dotted lines on the Figures indicate assembly parts.

パーツリストご利用に際して

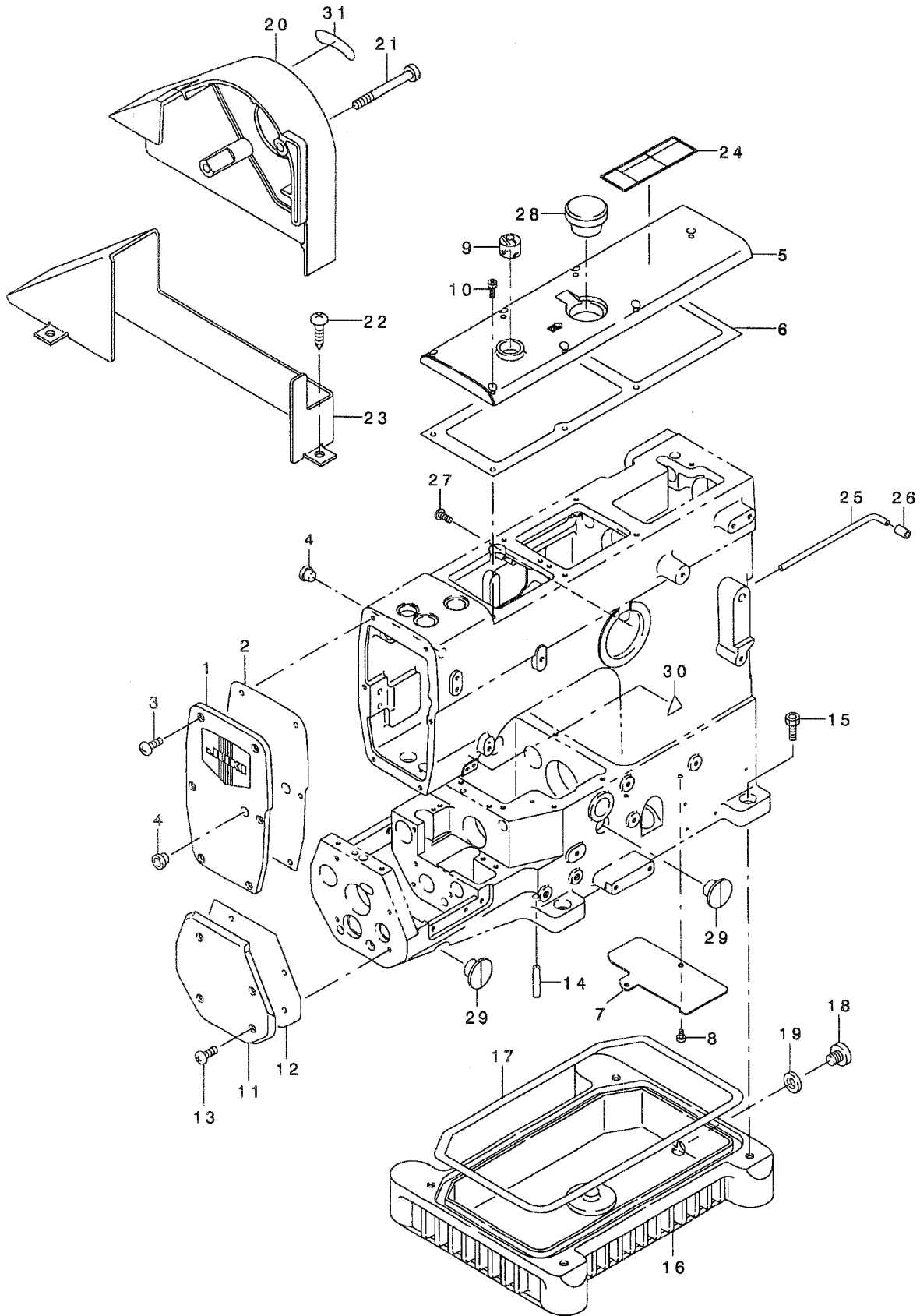
1. リストページの#01、#02等の印は、ページ下の"注記"の説明をご参照下さい。
2. 数量欄の数字は、個数を表し、0.1、2.5等の数値は、長さ(単位メートル)を表します。
3. 数量欄の()は、組部品を構成している子部品であることを意味します。
4. イラストページの-----枠は、組構成であることを意味します。

CONTENTS

1. FRAME & MISCELLANEOUS COVER COMPONENTS (1)	1
2. FRAME & MISCELLANEOUS COVER COMPONENTS (2)	3
3. UPPER SHAFT COMPONENTS	5
4. LOWER SHAFT COMPONENTS	7
5. NEEDLE ROD COMPONENTS	9
6. PRESSER FOOT COMPONENTS	11
7. FEED MECHANISM COMPONENTS	13
8. LOOPER COMPONENTS	15
9. SPREADER COMPONENTS	17
10. THREAD TENSION COMPONENTS	19
11. LUBRICATION MECHANISM COMPONENTS	21
12. CLOTH PULLER EXCLUSIVE PARTS (1)	23
13. CLOTH PULLER EXCLUSIVE PARTS (2)	25
14. CLOTH PULLER EXCLUSIVE PARTS (3)	27
15. CLOTH PULLER EXCLUSIVE PARTS (4)	29
16. GAGE EXCLUSIVE PARTS (1)	31
17. GAGE EXCLUSIVE PARTS (2)	33
18. THREAD STAND COMPONENTS	35
19. TABLE COMPONENTS	37
20. SPECIAL ORDER PARTS COMPONENTS	39
21. ACCESSORIE PARTS COMPONENTS	40
22. PRESSER LIFTER COMPONENTS	41
23. OPTIONAL COMPONENTS	43

1. FRAME & MISCELLANEOUS COVER COMPONENTS (1)

頭部・外装関係 (1)



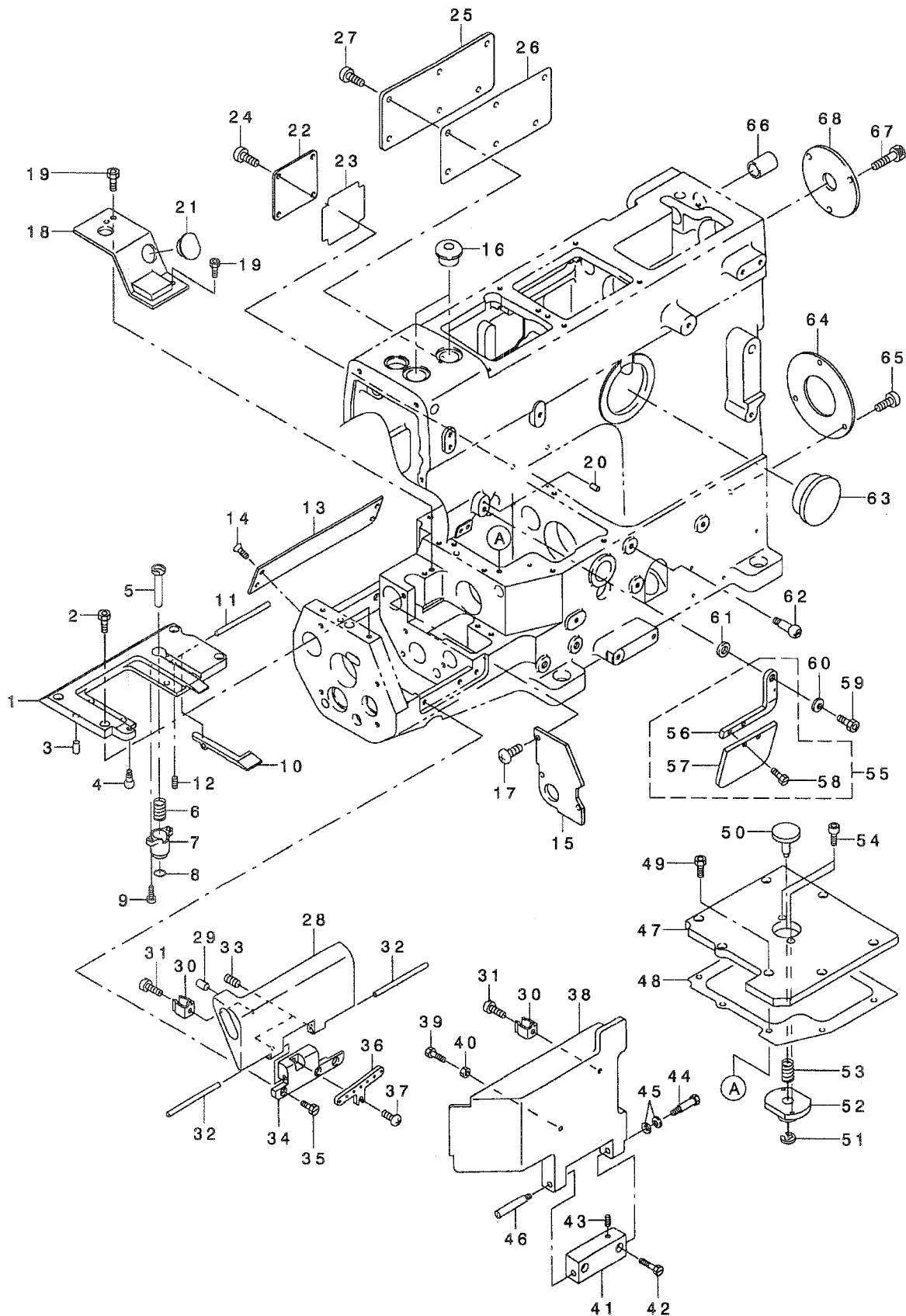
NO	NOTE	PART NO.	DESCRIPTION	Qty.
<input type="checkbox"/> 1		311-00506	FACE PLATE	1
<input type="checkbox"/> 2		311-00605	FACE PLATE PACKING	1
<input type="checkbox"/> 3		311-68107	SCREW (M4X0.7-10) 45	6
<input type="checkbox"/> 4		311-78205	RUBBER CAP	2
<input type="checkbox"/> 5		311-01405	TOP COVER	1
<input type="checkbox"/> 6		311-02700	TOP COVER PACKING	1
<input type="checkbox"/> 7		311-01900	DUST PROOF PLATE	1
<input type="checkbox"/> 8		311-68503	SCREW (M4X0.7-5) 45	2
<input type="checkbox"/> 9		311-04706	OIL SIGHT WINDOW	1
<input type="checkbox"/> 10		311-68008	SCREW (M4X0.7-12) 45	7
<input type="checkbox"/> 11		311-01207	CYLINDER COVER (LEFT)	1
<input type="checkbox"/> 12		311-01603	CYLINDER COVER PACKING	1
<input type="checkbox"/> 13		311-68107	SCREW (M4X0.7-10) 45	4
<input type="checkbox"/> 14		311-04607	KNOCK PIN	4
<input type="checkbox"/> 15		311-64007	SCREW (M8X1.25-20) 62	4
<input type="checkbox"/> 16		311-04102	OIL RESERVOIR	1
<input type="checkbox"/> 17		311-04201	OIL RESERVOIR PACKING	1
<input type="checkbox"/> 18		311-61805	SCREW (3/8X24-8) 70	1
<input type="checkbox"/> 19		311-81506	PACKING	1
<input type="checkbox"/> 20		311-05950	BELT COVER ASM.	1
<input type="checkbox"/> 21		311-65509	SCREW (M6X1-63) 60	2
<input type="checkbox"/> 22		GAK-A2222000	WOOD SCREW (5.1X20)	3
<input type="checkbox"/> 23		311-06107	BELT COVER (LOWER)	1
<input type="checkbox"/> 24		CM-3002001-B1	SAFETY LABEL 12	1
<input type="checkbox"/> 25	#01	311-40205	POSITIONER PIN	1
<input type="checkbox"/> 26	#01	311-40304	POSITIONER PIN CUSHION	1
<input type="checkbox"/> 27		311-68107	SCREW (M4X0.7-10) 45	1
<input type="checkbox"/> 28		311-78106	RUBBER CAP	1
<input type="checkbox"/> 29		311-05703	SCREW (M14X2-6) 60	2
<input type="checkbox"/> 30		CM-3002000-01	ATTENTION SEAL 16	1
<input type="checkbox"/> 31		311-06008	ROTATION DIRECTION SEAL	1

NOTE #01.... FOR SC-380

TOP

2. FRAME & MISCELLANEOUS COVER COMPONENTS (2)

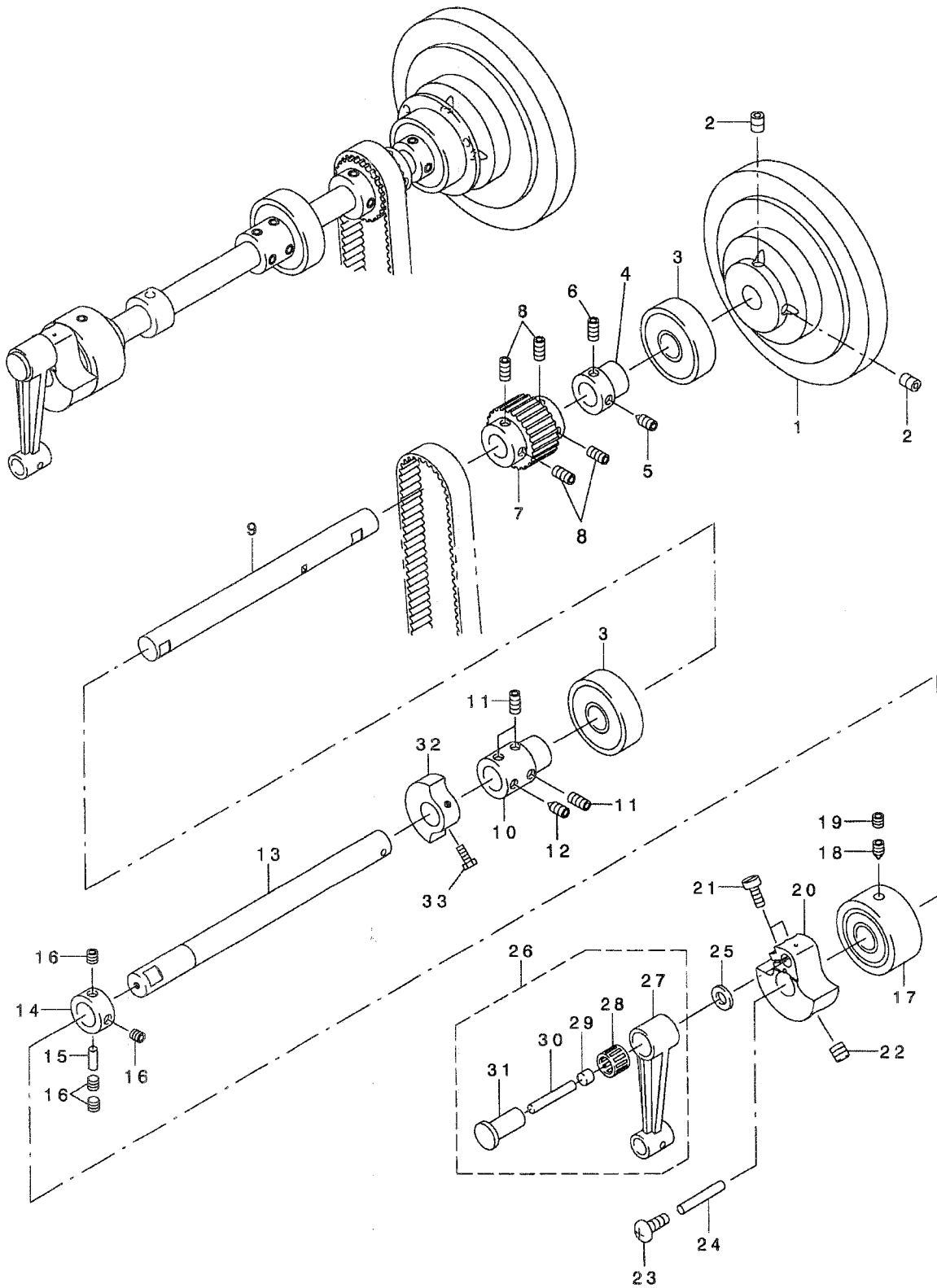
頭部・外装関係 (2)



NO	NOTE	PART NO.	DESCRIPTION	Qty.
<input type="checkbox"/> 1		311-01504	THROAT PLATE FITTING BASE	1
<input type="checkbox"/> 2		311-60906	SCREW (M4X0.7-10) 60	4
<input type="checkbox"/> 3		311-03906	KNOCK PIN	2
<input type="checkbox"/> 4		311-04508	SPRING HOLDER	1
<input type="checkbox"/> 5		311-26600	LOOPER POP-UP BUTTON	1
<input type="checkbox"/> 6		311-03807	LOOPER POP-UP GUIDE SPRING	1
<input type="checkbox"/> 7		311-26501	LOOPER POP-UP GUIDE	1
<input type="checkbox"/> 8		311-81209	O-RING	1
<input type="checkbox"/> 9		311-64304	SCREW (M3X0.5-6.5) 62	2
<input type="checkbox"/> 10		311-26808	BUTTON LEVER	1
<input type="checkbox"/> 11		311-77009	PARALLEL PIN (φ4X25) ㄏ	1
<input type="checkbox"/> 12		311-69501	SCREW (M3X0.5-3) 82	1
<input type="checkbox"/> 13		311-01306	CYLINDER COVER (REAR)	1
<input type="checkbox"/> 14		311-69006	SCREW (M3X0.5-6) 10	4
<input type="checkbox"/> 15		311-02403	LOOPER ECCENTRIC COVER (LEFT)	1
<input type="checkbox"/> 16		311-78304	RUBBER CAP	2
<input type="checkbox"/> 17		311-68404	SCREW (M4X0.7-8) 45	3
<input type="checkbox"/> 18		311-02502	LOOPER ECCENTRIC COVER (UPPER)	1
<input type="checkbox"/> 19		311-62704	SCREW (M4X0.7-6) 62	3
<input type="checkbox"/> 20		311-76902	SPRING PIN	1
<input type="checkbox"/> 21		311-02601	RUBBER CAP	1
<input type="checkbox"/> 22		311-02205	ADJUSTING SLIDE COVER	1
<input type="checkbox"/> 23		311-02304	ADJUSTING SLIDE COVER PACKING	1
<input type="checkbox"/> 24		311-68404	SCREW (M4X0.7-8) 45	4
<input type="checkbox"/> 25		311-04003	SLIDE PLATE	1
<input type="checkbox"/> 26		311-05307	SLIDE PLATE PACKING	1
<input type="checkbox"/> 27		311-68404	SCREW (M4X0.7-8) 45	6
<input type="checkbox"/> 28		311-01108	CYLINDER COVER	1
<input type="checkbox"/> 29		311-77900	PLUG	1
<input type="checkbox"/> 30		311-04409	COVER OPEN AND SHUT SPRING	2
<input type="checkbox"/> 31		311-68503	SCREW (M4X0.7-5) 45	2
<input type="checkbox"/> 32		311-77009	PARALLEL PIN	2
<input type="checkbox"/> 33		311-69501	SCREW (M3X0.5-3) 82	2
<input type="checkbox"/> 34		311-01009	CYLINDER COVER HINGE	1
<input type="checkbox"/> 35		311-60906	SCREW (M4X0.7-10) 60	2

3. UPPER SHAFT COMPONENTS

上軸関係

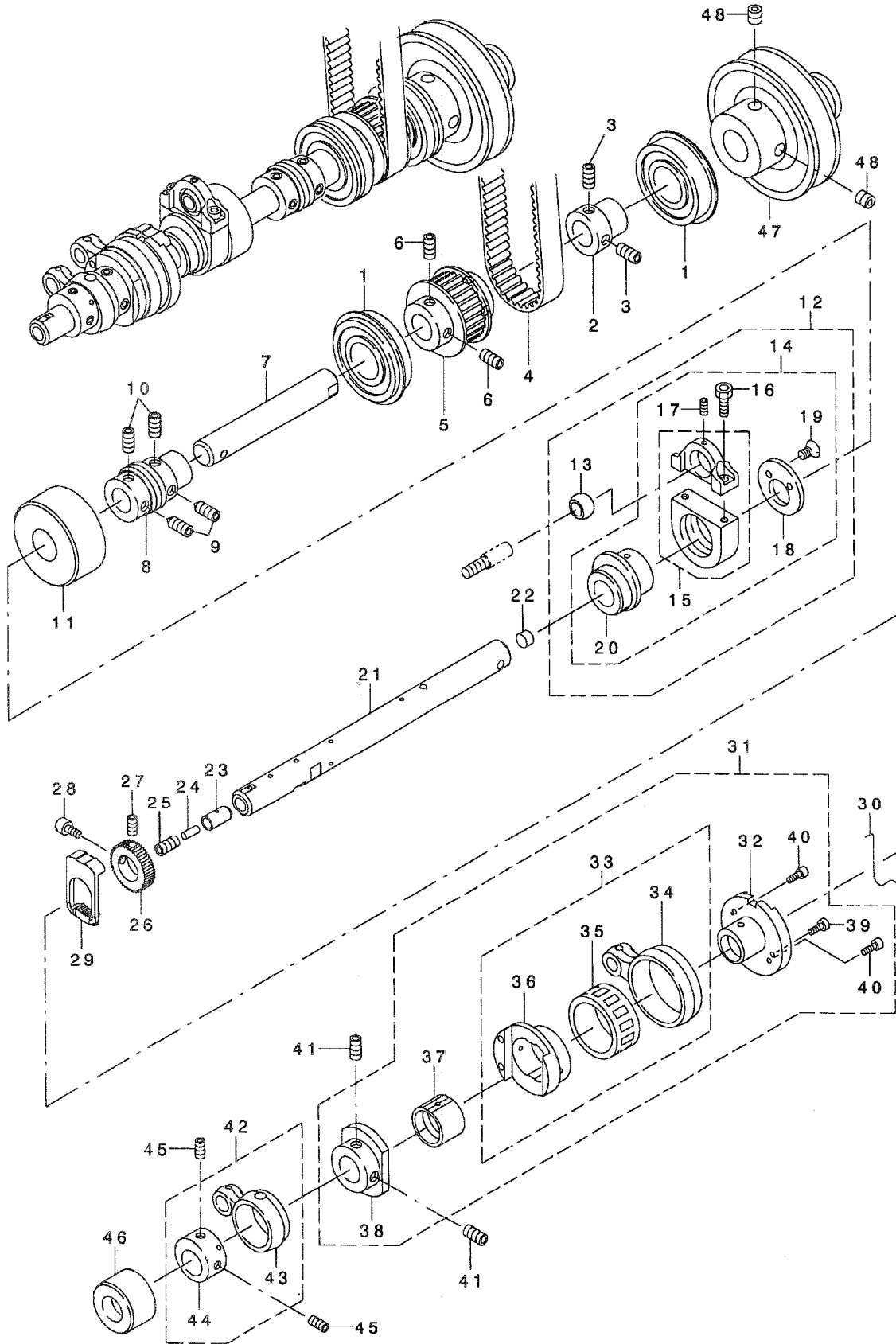


NO	NOTE	PART NO.	DESCRIPTION	Qty.
<input type="checkbox"/> 1		311-10901	FLY WHEEL	1
<input type="checkbox"/> 2		311-70905	SCREW (M6X1-8) 82	2
<input type="checkbox"/> 3		311-09101	BOLL BEARING	2
<input type="checkbox"/> 4		311-09408	BEARING HOLDER ASM.	1
<input type="checkbox"/> 5		311-69907	SCREW (M6X1-8) T82	1
<input type="checkbox"/> 6		311-70301	SCREW (M6X1-6) 82	1
<input type="checkbox"/> 7		311-09705	TIMING PULLEY (UPPER)	1
<input type="checkbox"/> 8		311-70301	SCREW (M6X1-6) 82	4
<input type="checkbox"/> 9		311-11206	UPPER SHAFT (RIGHT)	1
<input type="checkbox"/> 10		311-09507	UPPER SHAFT JOINT	1
<input type="checkbox"/> 11		311-70301	SCREW (M6X1-6) 82	3
<input type="checkbox"/> 12		311-69907	SCREW (M6X1-8) T82	1
<input type="checkbox"/> 13		311-08806	UPPER SHAFT (LEFT)	1
<input type="checkbox"/> 14		311-08905	UPPER SHAFT (LEFT) COLLAR	1
<input type="checkbox"/> 15		311-80508	OIL WICK	1
<input type="checkbox"/> 16		311-70202	SCREW (M6X1-4.8) 82	4
<input type="checkbox"/> 17		311-09952	UPPER SHAFT SLEEVE ASM.	1
<input type="checkbox"/> 18		311-70608	SCREW (M6X1-6) T82	1
<input type="checkbox"/> 19		311-70202	SCREW (M6X1-4.8) 82	1
<input type="checkbox"/> 20		311-11503	COUNTER WEIGHT	1
<input type="checkbox"/> 21		311-61300	SCREW (M5X0.8-10) 60	2
<input type="checkbox"/> 22		311-69709	SCREW (M8X1.25-8) 82	2
<input type="checkbox"/> 23		311-67802	SCREW (M5X0.8-5) 41	1
<input type="checkbox"/> 24		311-10703	OIL WICK	1
<input type="checkbox"/> 25		311-10604	NEEDLE ROD RING	1
<input type="checkbox"/> 26		311-11354	NEEDLE ROD ASM.	1
<input type="checkbox"/> 27		311-10109	NEEDLE ROD	(1)
<input type="checkbox"/> 28		311-10307	NEEDLE BEARING	(1)
<input type="checkbox"/> 29		311-10505	PLUG	(1)
<input type="checkbox"/> 30		311-10406	FELT	(1)
<input type="checkbox"/> 31		311-11404	NEEDLE ROD PIN	(1)
<input type="checkbox"/> 32		311-10802	BALANCE WEIGHT	1
<input type="checkbox"/> 33		311-61409	SCREW (M4X0.7-8) 60	2

TOP

4. LOWER SHAFT COMPONENTS

下軸関係



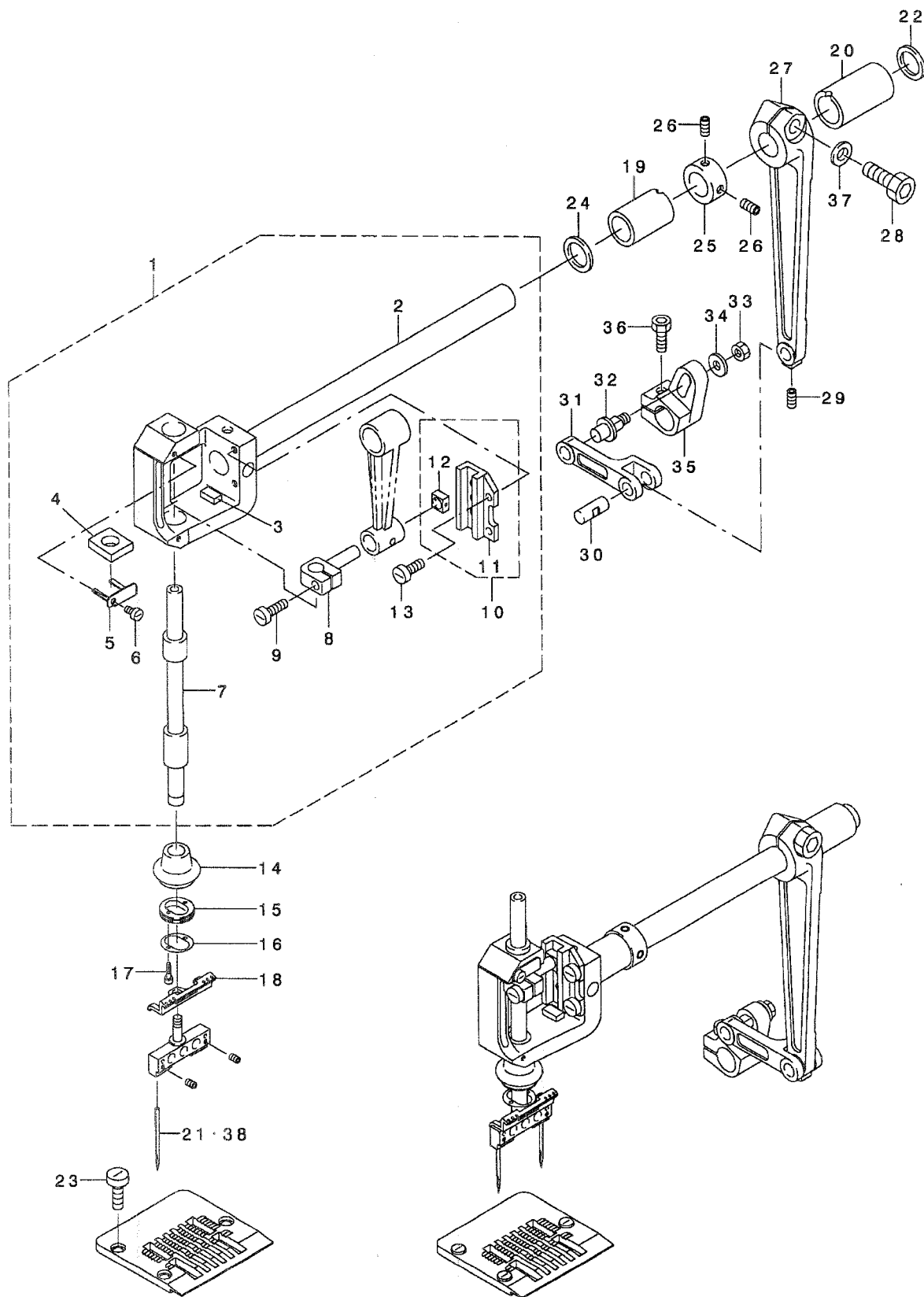
NO	NOTE	PART NO.	DESCRIPTION	Qty.
<input type="checkbox"/> 1		311-09002	FLANGE BEARING	2
<input type="checkbox"/> 2		311-09408	BEARRING HOLDER (SHORT)	1
<input type="checkbox"/> 3		311-70301	SCREW (M6X1-6) 82	2
<input type="checkbox"/> 4		311-08004	TIMING BELT	1
<input type="checkbox"/> 5		311-09804	TIMING PULLEY (LOWER)	1
<input type="checkbox"/> 6		311-70301	SCREW (M6X1-6) 82	4
<input type="checkbox"/> 7		311-11107	LOWER SHAFT (RIGHT)	1
<input type="checkbox"/> 8		311-09606	OIL PUMP DRIVING WORM	1
<input type="checkbox"/> 9		311-69907	SCREW (M6X1-8) T82	2
<input type="checkbox"/> 10		311-70301	SCREW (M6X1-6) 82	2
<input type="checkbox"/> 11		311-08509	LOWER SHAFT BUSHING (RIGHT)	1
<input type="checkbox"/> 12		311-28069	SPREADER LOT ASM. 2	1
<input type="checkbox"/> 13		311-28309	PLAIN BEARING	(1)
<input type="checkbox"/> 14		311-28051	SPREADER LOT ASM. 1	(1)
<input type="checkbox"/> 15		311-28002	SPREADER LOT	(1)
<input type="checkbox"/> 16		311-64106	SCREW (M4X0.7-10) 62	(2)
<input type="checkbox"/> 17		311-69501	SCREW (M3X0.5-3) 82	(1)
<input type="checkbox"/> 18		311-28200	SPREADER LOT COVER	(1)
<input type="checkbox"/> 19		311-69105	SCREW (M4X0.7-7.3) 10	(2)
<input type="checkbox"/> 20		311-28101	SPREADER ECCENTRIC	(1)
<input type="checkbox"/> 21		311-08202	LOWER SHAFT (LEFT)	1
<input type="checkbox"/> 22		311-21205	PLUG	1
<input type="checkbox"/> 23		311-08608	OIL PRESSURE REGULATING VALVE	1
<input type="checkbox"/> 24		311-80706	FELT	1
<input type="checkbox"/> 25		311-70202	SCREW (M6X1-4.8) 82	1
<input type="checkbox"/> 26		311-24209	FEED DOG REGULATING GEAR	1
<input type="checkbox"/> 27		311-70004	SCREW (M5X0.8-5) 82	1
<input type="checkbox"/> 28		311-60104	SCREW (M5X0.8-8) 60	1
<input type="checkbox"/> 29		311-22104	FEED DOG REGULATING PLATE	1
<input type="checkbox"/> 30		311-23706	REGULATING PLATE SPRING	1
<input type="checkbox"/> 31		311-22260	FEED DOG REGULATOR ASM.	1
<input type="checkbox"/> 32		311-22500	FEED DOG REGULATING ECCENTRIC	(1)
<input type="checkbox"/> 33		311-22252	FEED DRIVE ECCENTRIC ASM.	(1)
<input type="checkbox"/> 34		311-22203	FEED DRIVE ROD	(1)
<input type="checkbox"/> 35		311-22401	NEEDLE BEARING	(1)
<input type="checkbox"/> 36		311-22302	FEED DRIVE ECCENTRIC	(1)
<input type="checkbox"/> 37		311-22609	ECCENTRIC LINK	(1)

<input type="checkbox"/> 38	311-22708	FEED DOG REGULATOR	(1)
<input type="checkbox"/> 39	311-60500	SCREW (M3X0.5-6.3) 60	(1)
<input type="checkbox"/> 40	311-60005	SCREW (M3X0.5-4) 60	(2)
<input type="checkbox"/> 41	311-70301	SCREW (M6X1-6) 82	2
<input type="checkbox"/> 42	311-24357	FEED LIFT ROD ASM.	1
<input type="checkbox"/> 43	311-24308	FEED LIFT ROD	(1)
<input type="checkbox"/> 44	311-24407	FEED LIFT ROD ECCENTRIC	(1)
<input type="checkbox"/> 45	311-70004	SCREW (M5X0.8-5) 82	2
<input type="checkbox"/> 46	311-08400	LOWER SHAFTBUSHING (LEFT)	1
<input type="checkbox"/> 47	311-11008	PULLEY	1
<input type="checkbox"/> 48	311-70301	SCREW (M6X1-6) 82	2

TOP

5. NEEDLE ROD COMPONENTS

針棒關係



NO	NOTE	PART NO.	DESCRIPTION	Qty.
<input type="checkbox"/> 1		311-14069	NEEDLE BAR YOKE ASM. 3	1
<input type="checkbox"/> 2		311-14051	NEEDLE BAR YOKE ASM. 1	(1)
<input type="checkbox"/> 3		311-15207	SPONGE	(1)
<input type="checkbox"/> 4		311-14903	FELT	(1)
<input type="checkbox"/> 5		311-15009	FELT CLAMP	(1)
<input type="checkbox"/> 6		311-61102	SCREW (M3X0.5-2.6) 60	(1)
<input type="checkbox"/> 7		311-14358	NEEDLE BAR BUSHING ASM.	(1)
<input type="checkbox"/> 8		311-14804	NEEDLE BAR BRACKET	(1)
<input type="checkbox"/> 9		311-64700	SCREW (M5X0.8-18) 60	(1)
<input type="checkbox"/> 10		311-14655	NEEDLE BAR GUIDE ASM.	(1)
<input type="checkbox"/> 11		311-14606	NEEDLE BAR GUIDE	(1)
<input type="checkbox"/> 12		311-14705	NEEDLE GUIDE BLOCK	(1)
<input type="checkbox"/> 13		311-60609	SCREW (M4X0.7-10) 60	(2)
<input type="checkbox"/> 14		311-12808	OIL SHIELD COVER	1
<input type="checkbox"/> 15		311-12907	OIL SHIELD COVER SUPPORT	1
<input type="checkbox"/> 16		311-13004	SPACER	1
<input type="checkbox"/> 17		311-64502	SCREW (M2X0.4-8)	2
<input type="checkbox"/> 18		311-12709	NEEDLE CLAMP THREAD WAY	1
<input type="checkbox"/> 19		311-13301	BUSHING	1
<input type="checkbox"/> 20		311-13806	BUSHING (RIGHT)	1
<input type="checkbox"/> 21	#01	MDV-570B2100	NEEDLE DVX57 #21	2
<input type="checkbox"/> 22		311-13905	OIL SEAL	1
<input type="checkbox"/> 23		311-62308	SCREW (M5X0.8-7) 60	3
<input type="checkbox"/> 24		311-13103	THRUST WASHER	1
<input type="checkbox"/> 25		311-13202	COLLAR	1
<input type="checkbox"/> 26		311-70004	SCREW (M5X0.8-5) 82	2
<input type="checkbox"/> 27		311-13400	DRIVING LEVER (UPPER)	1
<input type="checkbox"/> 28		311-63405	SCREW (M8X1.25-20) 62	1
<input type="checkbox"/> 29		311-69501	SCREW (M4X0.7-4) 82	1
<input type="checkbox"/> 30		311-15108	LINK PIN	1
<input type="checkbox"/> 31		311-13608	NEEDLE ROCKER LINK	1
<input type="checkbox"/> 32		311-13707	NEEDLE ROCKER LEVER PIN	1
<input type="checkbox"/> 33		311-71200	NUT	1
<input type="checkbox"/> 34		311-73701	WASHER	1
<input type="checkbox"/> 35		311-13509	NEEDLE ROCKER LEVER	1
<input type="checkbox"/> 36		311-63900	SCREW (M6X1-15) 62	1
<input type="checkbox"/> 37		311-73008	WASHER	1

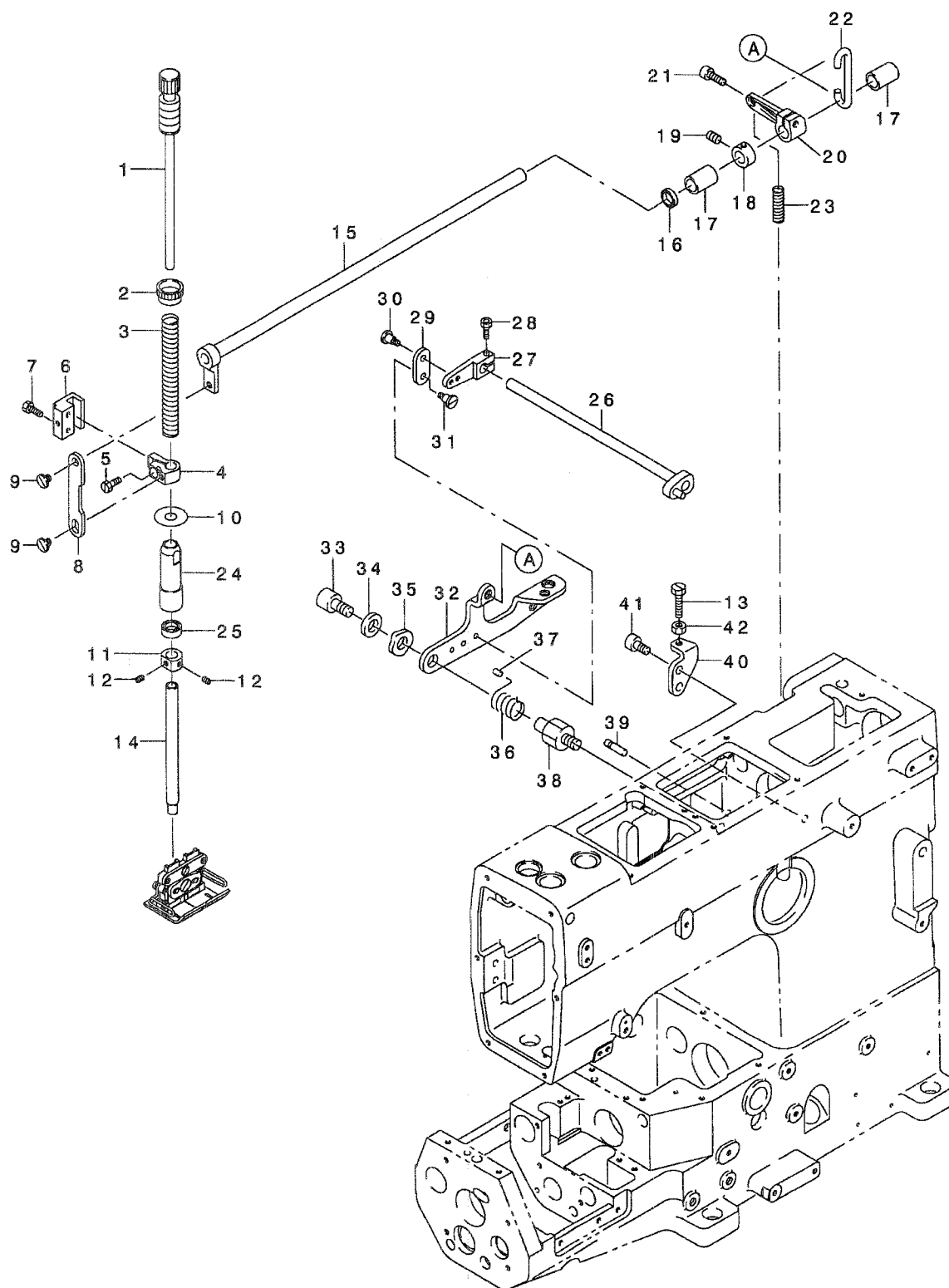
38	#02	MDV-570B2100	NEEDLE DVX57 #21	4
----	-----	--------------	------------------	---

NOTE #01.... FOR 2-NEEDLE
#02.... FOR 4-NEEDLE

TOP

6. PRESSER FOOT COMPONENTS

押え関係



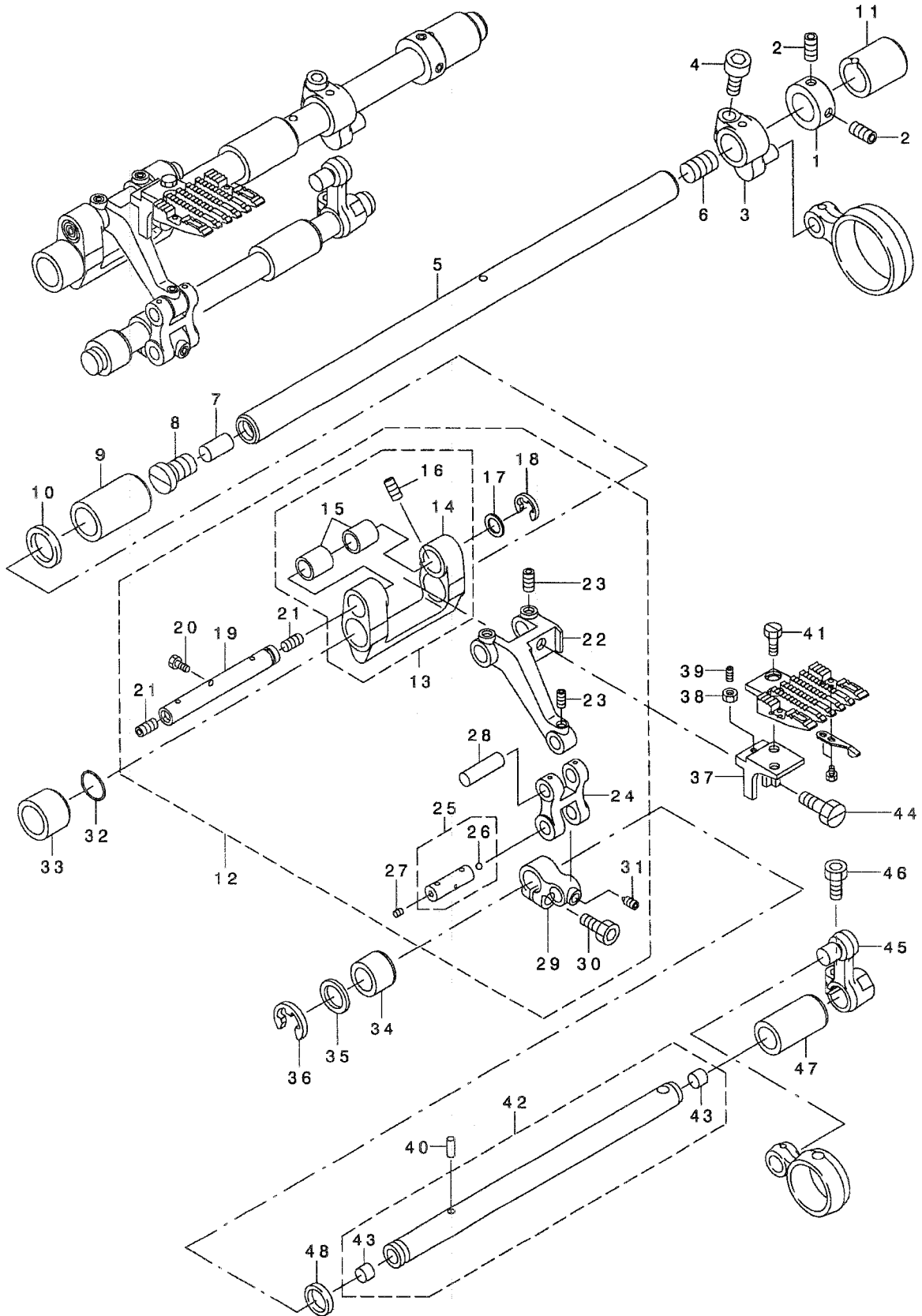
NO	NOTE	PART NO.	DESCRIPTION	Qty.
<input type="checkbox"/> 1		311-18458	PRESSER SPRING REGULATOR ASM.	1
<input type="checkbox"/> 2		311-18607	LOCK NUT	1
<input type="checkbox"/> 3		311-17401	PRESSER BAR SPRING (OUTER)	1
<input type="checkbox"/> 4		311-17104	PRESSER BAR HOLDER	1
<input type="checkbox"/> 5		311-60906	SCREW (M4X0.7-10) 60	1
<input type="checkbox"/> 6		311-18300	PRESSER BAR GUIDE	1
<input type="checkbox"/> 7		311-67703	SCREW (M4X0.7-10) 40	2
<input type="checkbox"/> 8		311-17302	LINK	1
<input type="checkbox"/> 9		311-66309	SCREW (M5X0.8X6.35) D60	2
<input type="checkbox"/> 10		311-18201	OIL PROTECTOR RING	1
<input type="checkbox"/> 11		311-17807	LOOPER DRIVE SHAFT COLLAR	1
<input type="checkbox"/> 12		311-69600	SCREW (M4X0.7-4) 82	2
<input type="checkbox"/> 13		311-64700	SCREW (M5X0.8-18) 60	1
<input type="checkbox"/> 14		311-17203	PRESSRE BAR	1
<input type="checkbox"/> 15		311-19050	LIFTER SHAFT ASM.	1
<input type="checkbox"/> 16		311-79104	OIL SEAL	1
<input type="checkbox"/> 17		311-19506	LIFTER SHAFT BUSHING	2
<input type="checkbox"/> 18		311-17906	LEVER SHAFT COLLAR	1
<input type="checkbox"/> 19		311-69600	SCREW (M4X0.7-4) 82	2
<input type="checkbox"/> 20		311-19407	LIFTER SHAFT LEVER	1
<input type="checkbox"/> 21		311-62803	SCREW (M5X0.8-14) 62	1
<input type="checkbox"/> 22		311-19308	LIFTER SHAFT LEVER LINK	1
<input type="checkbox"/> 23		311-17609	UPPER KNIFE HOLDER SPRING	1
<input type="checkbox"/> 24		311-17005	PRESSER BAR BUSHING	1
<input type="checkbox"/> 25		311-79500	LOOPER SHAFT OIL SEAL	1
<input type="checkbox"/> 26		311-31352	THREAD RELEASE SHAFT ASM.	1
<input type="checkbox"/> 27		311-32004	THREAD RELEASE LEVER	1
<input type="checkbox"/> 28		311-65004	SCREW (M4X0.7-14) 62	1
<input type="checkbox"/> 29		311-18805	CONNECTION PLATE	1
<input type="checkbox"/> 30		311-66705	SCREW (M4X0.7-4) D60	1
<input type="checkbox"/> 31		311-66408	SCREW (M4X0.7-5) D60	1
<input type="checkbox"/> 32		311-19605	PRESSER LIFTER LEVER	1
<input type="checkbox"/> 33		311-63702	SCREW (M6X1-10) 62	1
<input type="checkbox"/> 34		311-73800	WASHER	1
<input type="checkbox"/> 35		311-74303	WAVE WASHER	1
<input type="checkbox"/> 36		311-17708	PRESSER LIFTER LEVER SPRING	1
<input type="checkbox"/> 37		311-18904	CAP	1

<input type="checkbox"/> 38	311-18003	FITTING BASE	1
<input type="checkbox"/> 39	311-18102	SPRING HANGING PIN	1
<input type="checkbox"/> 40	311-19209	PRESSER LIFTER STOPPER	1
<input type="checkbox"/> 41	311-63504	SCREW (M6X1-12) 62	2
<input type="checkbox"/> 42	311-71705	NUT	1

TOP

7. FEED MECHANISM COMPONENTS

送り関係



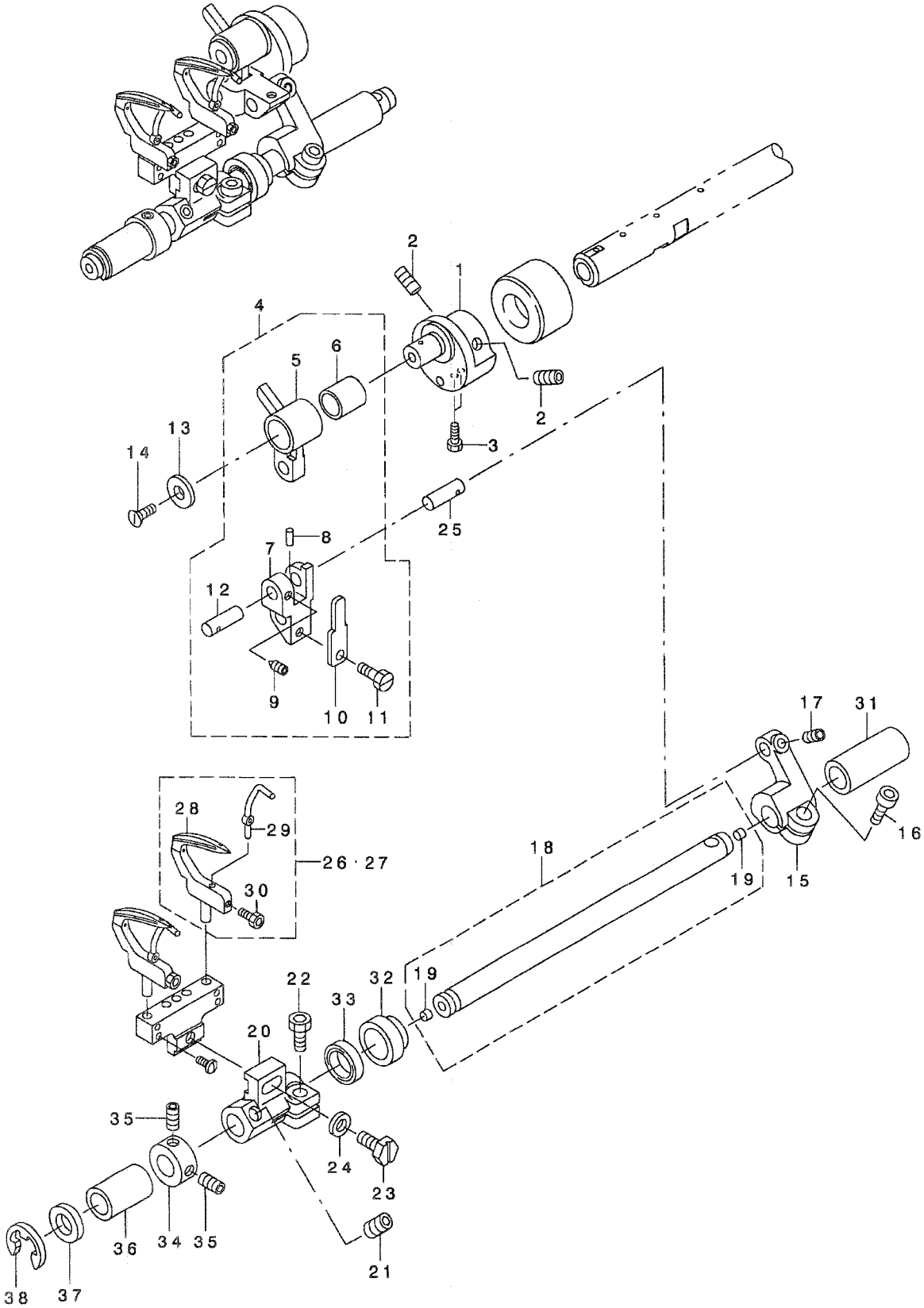
NO	NOTE	PART NO.	DESCRIPTION	Qty.
<input type="checkbox"/> 1		311-24506	FEED DRIVING SHAFT COLLAR	1
<input type="checkbox"/> 2		311-70004	SCREW (M5X0.8-5) 82	2
<input type="checkbox"/> 3		311-22005	FEED DRIVING LEVER	1
<input type="checkbox"/> 4		311-63900	SCREW (M6X1-18) 62	1
<input type="checkbox"/> 5		311-21908	FEED DRIVING SHAFT	1
<input type="checkbox"/> 6		311-69808	SCREW (M10X1.5-10) 82	1
<input type="checkbox"/> 7		311-80409	OIL WICK	1
<input type="checkbox"/> 8		311-24605	SCREW (M10X1.5-4) 60	1
<input type="checkbox"/> 9		311-21700	DRIVING SHAFT BUSHING (CENTER)	1
<input type="checkbox"/> 10		311-78700	OIL SEAL	1
<input type="checkbox"/> 11		311-21809	RIVING SHAFT BUSHING (RIGHT)	1
<input type="checkbox"/> 12		311-22963	FEED BASE ASM.	1
<input type="checkbox"/> 13		311-22955	FEED BASE ASM.1	(1)
<input type="checkbox"/> 14		311-22906	FEED BASE	(1)
<input type="checkbox"/> 15		311-23300	FEED BASE BUSHING	(2)
<input type="checkbox"/> 16		311-70301	SCREW (M6X1-6) 82	(2)
<input type="checkbox"/> 17		311-23805	THRUST WASHER	(1)
<input type="checkbox"/> 18		311-75409	E RING	(1)
<input type="checkbox"/> 19		311-23052	FEED BASE SHAFT	(1)
<input type="checkbox"/> 20		311-61102	SCREW (M3X0.5-2.6) 60	(1)
<input type="checkbox"/> 21		311-70301	SCREW (M6X1-6) 82	(2)
<input type="checkbox"/> 22		311-23607	FEED FITTING BASE (LOWER)	(1)
<input type="checkbox"/> 23		311-70004	SCREW (M5X0.8-5) 82	(3)
<input type="checkbox"/> 24		311-23508	FEED LIFT LINK	(1)
<input type="checkbox"/> 25		311-23151	LINK PIN	(1)
<input type="checkbox"/> 26		311-23201	SPHERE	(1)
<input type="checkbox"/> 27		311-69501	SCREW (M3X0.5-3) 82	(1)
<input type="checkbox"/> 28		311-23904	UPPER KNIFE ROD PIN	(1)
<input type="checkbox"/> 29		311-23409	FEED LIFT SHAFT LEVER (LEFT)	(1)
<input type="checkbox"/> 30		311-63504	SCREW (M6X1-1.5) 62	(1)
<input type="checkbox"/> 31		311-70509	SCREW (M6X1-12) 82	(1)
<input type="checkbox"/> 32		311-81308	UPPER SHAFT PACKING	1
<input type="checkbox"/> 33		311-21403	FEED DRIVING SHAFT BUSHING	1
<input type="checkbox"/> 34		311-24001	FEED LIFT SHAFT BUSHING (LIFT)	1
<input type="checkbox"/> 35		311-21304	THRUST WASHER	1
<input type="checkbox"/> 36		311-75300	E RING	1
<input type="checkbox"/> 37		311-21502	FEED FITTING BASE	1

<input type="checkbox"/> 38	311-71507	NUT	1
<input type="checkbox"/> 39	311-69402	SCREW (M3X0.5-10) 82	1
<input type="checkbox"/> 40	311-80300	OIL WICK	1
<input type="checkbox"/> 41	311-62308	SCREW (M5X0.8-7) 60	2
<input type="checkbox"/> 42	311-21155	FEED LIFT SHAFT ASM.	1
<input type="checkbox"/> 43	311-21205	PLUG	(2)
<input type="checkbox"/> 44	311-62605	SCREW (M6X0.75-9) 60	1
<input type="checkbox"/> 45	311-21007	FEED LIFT DRIVING LEVER	1
<input type="checkbox"/> 46	311-63504	SCREW (M6X1-15) 62	1
<input type="checkbox"/> 47	311-24100	FEED LIFT SHAFT BUSHING (RIGHT	1
<input type="checkbox"/> 48	311-78908	OIL SEAL	1

TOP

8. LOOPER COMPONENTS

ルーパ関係



NO	NOTE	PART NO.	DESCRIPTION	Qty.
<input type="checkbox"/> 1		311-26907	LOOPER ECCENTRIC	1
<input type="checkbox"/> 2		311-70004	SCREW (M5X0.8-5) 82	2
<input type="checkbox"/> 3		311-62506	SCREW (M3X0.5-8.2) 60	2
<input type="checkbox"/> 4		311-27152	LOOPER ROD ASM.	1
<input type="checkbox"/> 5		311-27103	LOOPER ROD	(1)
<input type="checkbox"/> 6		311-27509	LOOPER ECCENTRIC BUSHING	(1)
<input type="checkbox"/> 7		311-27202	LOOPER LINK	(1)
<input type="checkbox"/> 8		311-80607	OIL WICK	(1)
<input type="checkbox"/> 9		311-70400	SCREW (M4X0.7-8) T82	(1)
<input type="checkbox"/> 10		311-27301	LOOPER ROD HOLD SPRING	(1)
<input type="checkbox"/> 11		311-60807	SCREW (M4X0.7-8) 60	(1)
<input type="checkbox"/> 12		311-27400	PIN	(1)
<input type="checkbox"/> 13		311-27004	LOOPER ROD COVER	1
<input type="checkbox"/> 14		311-69006	SCREW (M3X0.5-6) 10	1
<input type="checkbox"/> 15		311-26709	LOOPER BASE LEVER	1
<input type="checkbox"/> 16		311-63900	SCREW (M6X1-15) 62	1
<input type="checkbox"/> 17		311-70103	SCREW (M4X0.7-5) 82	1
<input type="checkbox"/> 18		311-27756	LOOPER BASE SHAFT	1
<input type="checkbox"/> 19		311-27806	PLUG	(2)
<input type="checkbox"/> 20		311-27608	LOOPER BASE (LOWER)	1
<input type="checkbox"/> 21		311-70301	SCREW (M6X1-6) 82	1
<input type="checkbox"/> 22		311-63504	SCREW (M6X1-12) 62	1
<input type="checkbox"/> 23		311-68800	SCREW (M5X0.8-12) 90	1
<input type="checkbox"/> 24		311-75201	WASHER	1
<input type="checkbox"/> 25		311-27400	PIN	1
<input type="checkbox"/> 26	#02	311-54651	LOOPER NEEDLE HOLDER ASM.	4
<input type="checkbox"/> 27	#01	311-54651	LOOPER NEEDLE HOLDER ASM.	2
<input type="checkbox"/> 28		311-54602	LOOPER	(1)
<input type="checkbox"/> 29		311-54503	NEEDLE HOLDER (REAR)	(1)
<input type="checkbox"/> 30		311-64601	SCREW (M3X0.5-5) 62	(1)
<input type="checkbox"/> 31		311-29406	LOOPER BASE SHAFT BUSHING	1
<input type="checkbox"/> 32		311-29307	LOOPER BASE BUSHING (CENTER)	1
<input type="checkbox"/> 33		311-78809	OIL SEAL	1
<input type="checkbox"/> 34		311-29604	UPPER KNIFE SHAFT COLLAR	1
<input type="checkbox"/> 35		311-70004	SCREW (M5X0.8-5) 82	2

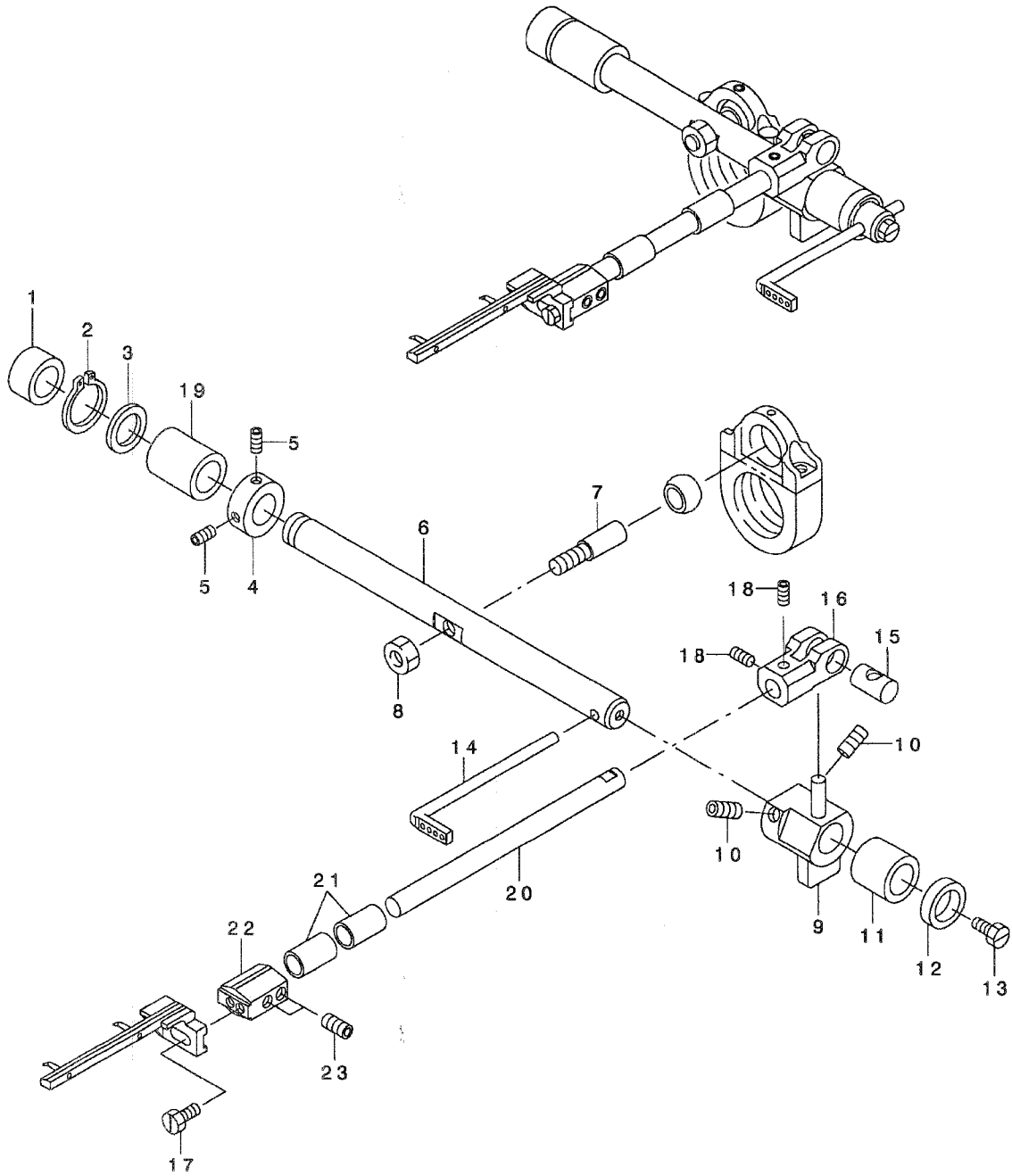
<input type="checkbox"/> 36	311-29208	LOOPER BASE SHAFT BUSHING	1
<input type="checkbox"/> 37	311-72901	THRUST WASHER	1
<input type="checkbox"/> 38	311-75409	E RING	1

NOTE #01... FOR 2-NEEDLE
#02... FOR 4-NEEDLE

TOP

9. SPREADER COMPONENTS

スプレッター関係

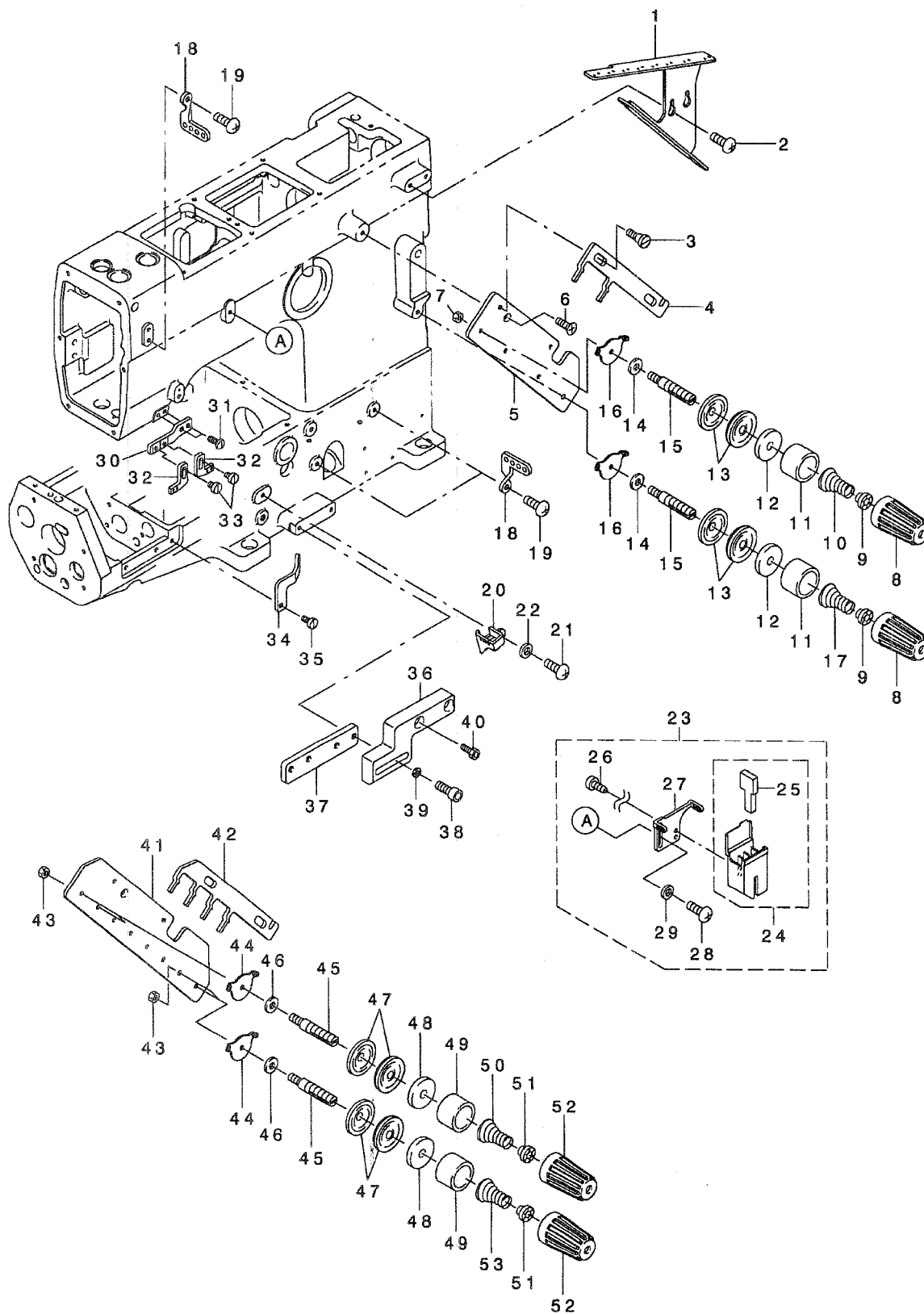


NO	NOTE	PART NO.	DESCRIPTION	Qty.
<input type="checkbox"/> 1		311-79005	OIL SEAL	1
<input type="checkbox"/> 2		311-75607	G RING	1
<input type="checkbox"/> 3		311-21304	THRUST WASHER	1
<input type="checkbox"/> 4		311-29505	NEEDLE ROD CRANK SHAFT COLLAR	1
<input type="checkbox"/> 5		311-70004	SCREW (M4X0.7-4) 82	2
<input type="checkbox"/> 6		311-29703	SPREADER DRIVING SHAFT	1
<input type="checkbox"/> 7		311-28705	PIN SCREW	1
<input type="checkbox"/> 8		311-71200	NUT	1
<input type="checkbox"/> 9		311-28903	SPREADER CROSSWISE SHAKE LEVER	1
<input type="checkbox"/> 10		311-70004	SCREW (M4X0.7-4) 82	2
<input type="checkbox"/> 11		311-28507	SPREADER SHAFT BUSHING (FRONT)	1
<input type="checkbox"/> 12		311-79609	OIL SEAL	1
<input type="checkbox"/> 13		311-61409	SCREW (M4X0.7-8) 40	1
<input type="checkbox"/> 14		311-26402	LOOPER BALANCE	1
<input type="checkbox"/> 15		311-29000	CROSSWISE SHAFT LEVER PIN	1
<input type="checkbox"/> 16		311-28804	SPREADER CROSSWISE SHAFT LEVER	1
<input type="checkbox"/> 17		311-68701	SCREW (M4X0.7-8) 90	1
<input type="checkbox"/> 18		311-69600	SCREW (M4X0.7-4) 82	2
<input type="checkbox"/> 19		311-28408	SPREADER SHAFT BUSHING (RIAR)	1
<input type="checkbox"/> 20		311-27905	SPREADER CROSSWISE SHAFT	1
<input type="checkbox"/> 21		311-28606	CROSSWISE SHAFT BUSHING	2
<input type="checkbox"/> 22		311-29109	SPREADER BASE	1
<input type="checkbox"/> 23		311-70004	SCREW (M4X0.7-4) 82	2

TOP

10. THREAD TENSION COMPONENTS

糸調子関係



NO	NOTE	PART NO.	DESCRIPTION	Qty.
<input type="checkbox"/> 1		311-31204	THREAD GUIDE PLATE	1
<input type="checkbox"/> 2		311-68404	SCREW (M4X0.7-8) 45	2
<input type="checkbox"/> 3		311-66606	STEP SCREW (M4X0.7-2.1) D60	2
<input type="checkbox"/> 4	#01	311-31006	THREAD RELEASE PLATE	1
<input type="checkbox"/> 5	#01	311-31105	THREAD TENSION BASE	1
<input type="checkbox"/> 6		311-69204	SCREW (M4X0.7-10) 10	1
<input type="checkbox"/> 7	#01	311-71606	NUT	3
<input type="checkbox"/> 8	#01	303-82907	THREAD TENSION PICK-UP	4
<input type="checkbox"/> 9	#01	311-32400	THREAD TENSION SPRING BUSHING	4
<input type="checkbox"/> 10	#01	311-32103	THREAD TENSION SPRING	2
<input type="checkbox"/> 11	#01	303-62909	THREAD TENSION SPRING SHIELD	4
<input type="checkbox"/> 12	#01	311-31907	FELT	4
<input type="checkbox"/> 13	#01	311-32301	THREAD TENSION DISK	8
<input type="checkbox"/> 14	#01	311-73404	WASHER	4
<input type="checkbox"/> 15	#01	311-32202	THREAD TENSION ROD	4
<input type="checkbox"/> 16	#01	311-32509	THREAD TENSION BASE THREAD WAY	4
<input type="checkbox"/> 17	#01	311-32608	LOOPER THREAD TENSION SPRING	2
<input type="checkbox"/> 18		311-04805	LOOPER THREAD WAY (RIGHT)	3
<input type="checkbox"/> 19		311-68404	SCREW (M4X0.7-8) 45	3
<input type="checkbox"/> 20		311-26303	LOOPER THREAD WAY (RIGHT)	1
<input type="checkbox"/> 21		311-61409	SCREW (M4X0.7-8) 45	1
<input type="checkbox"/> 22		311-73602	WASHER	1
<input type="checkbox"/> 23		311-03161	SILICON DIVICE ASM.	1
<input type="checkbox"/> 24		311-03153	SILICON TANK ASM.	(1)
<input type="checkbox"/> 25		311-03500	SILICON FALT	(1)
<input type="checkbox"/> 26		311-70806	SCREW (3X6)	(2)
<input type="checkbox"/> 27		311-03203	NEEDLE THREAD WAY	(1)
<input type="checkbox"/> 28		311-61409	SCREW (M4X0.7-8) 40	(1)
<input type="checkbox"/> 29		311-73602	WASHER	(1)
<input type="checkbox"/> 30		311-12600	BALANCE FITTING PLATE	1
<input type="checkbox"/> 31		311-60609	SCREW (M4X0.7-10) 40	2
<input type="checkbox"/> 32		311-12501	NEEDLE THREAD BALANCE	2
<input type="checkbox"/> 33		311-61706	SCREW (M4X0.7-5.4) 60	2
<input type="checkbox"/> 34		311-26204	LOOPER THREAD WAY (CENTER)	1
<input type="checkbox"/> 35		311-60807	SCREW (M4X0.7-8) 60	1
<input type="checkbox"/> 36		311-40007	RULER FITTING BASE 1	1

<input type="checkbox"/> 37		311-40106	RULER FITTING BASE 2	1
<input type="checkbox"/> 38		311-63306	SCREW (M6X1-15) 62	2
<input type="checkbox"/> 39		311-74006	WASHER	2
<input type="checkbox"/> 40		311-63306	SCREW (M6X1-15) 62	2
<input type="checkbox"/> 41	#02	311-3 709	THREAD TENSION BASE	1
<input type="checkbox"/> 42	#02	311-3 600	THREAD RELEASE PLATE	1
<input type="checkbox"/> 43	#02	311-7 606	NUT	7
<input type="checkbox"/> 44	#02	311-32509	THREAD TENSION BASE THREAD WAY	8
<input type="checkbox"/> 45	#02	311-32202	THREAD TENSION ROD	8
<input type="checkbox"/> 46	#02	311-73404	WASHER	8
<input type="checkbox"/> 47	#02	311-32301	THREAD TENSION DISK	16
<input type="checkbox"/> 48	#02	311-3 907	FELT	8
<input type="checkbox"/> 49	#02	303-62909	THREAD TENSION SPRING SHIELD	8
<input type="checkbox"/> 50	#02	311-32103	THREAD TENSION SPRING	4
<input type="checkbox"/> 51	#02	311-32400	THREAD TENSION SPRING BUSHING	8
<input type="checkbox"/> 52	#02	303-82907	THREAD TENSION PICK-UP	8
<input type="checkbox"/> 53	#02	311-32608	LOOPER THREAD TENSION SPRING	4

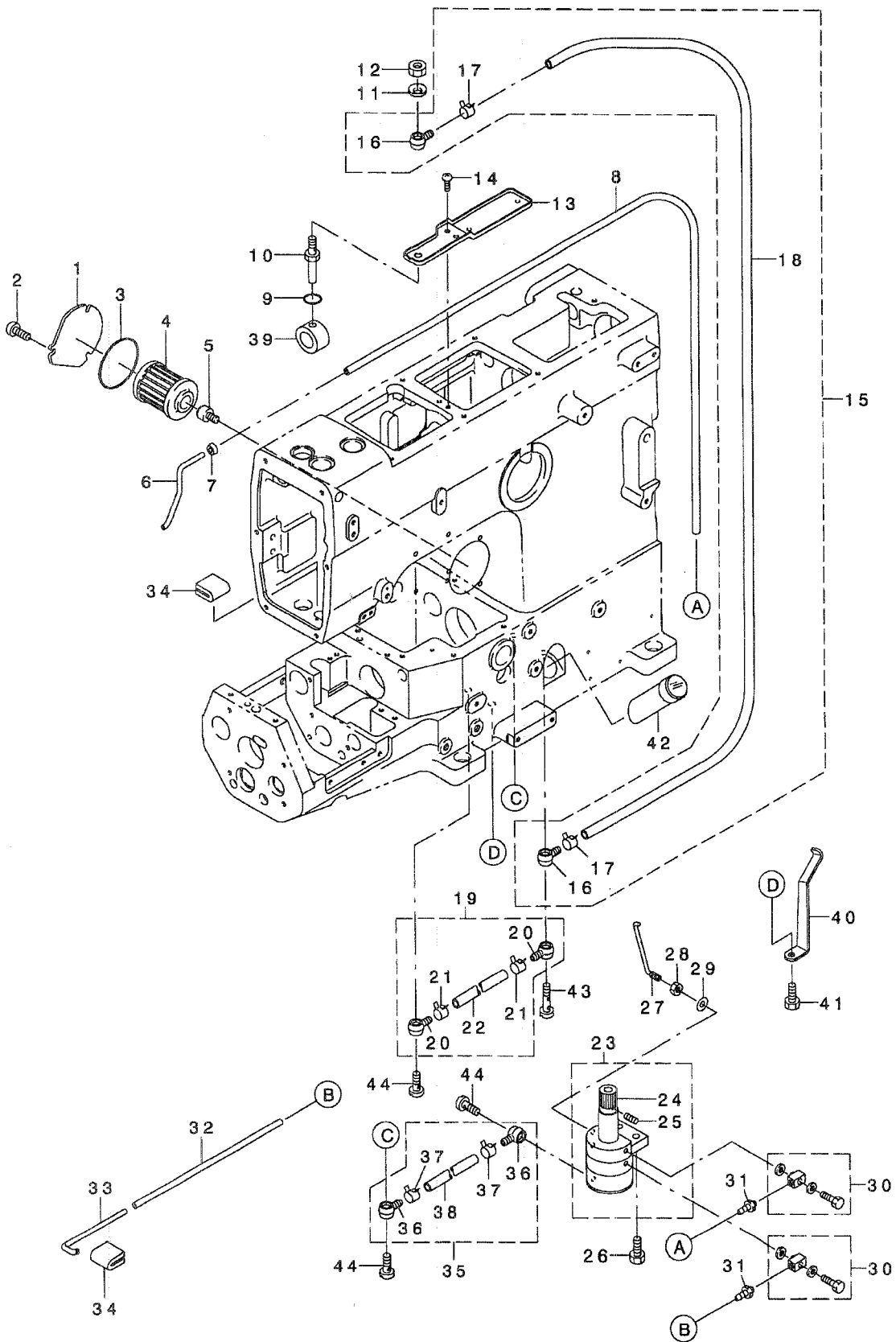
NOTE #01... FOR 2-NEEDLE

#02... FOR 4-NEEDLE

TOP

11. LUBRICATION MECHANISM COMPONENTS

給油関係



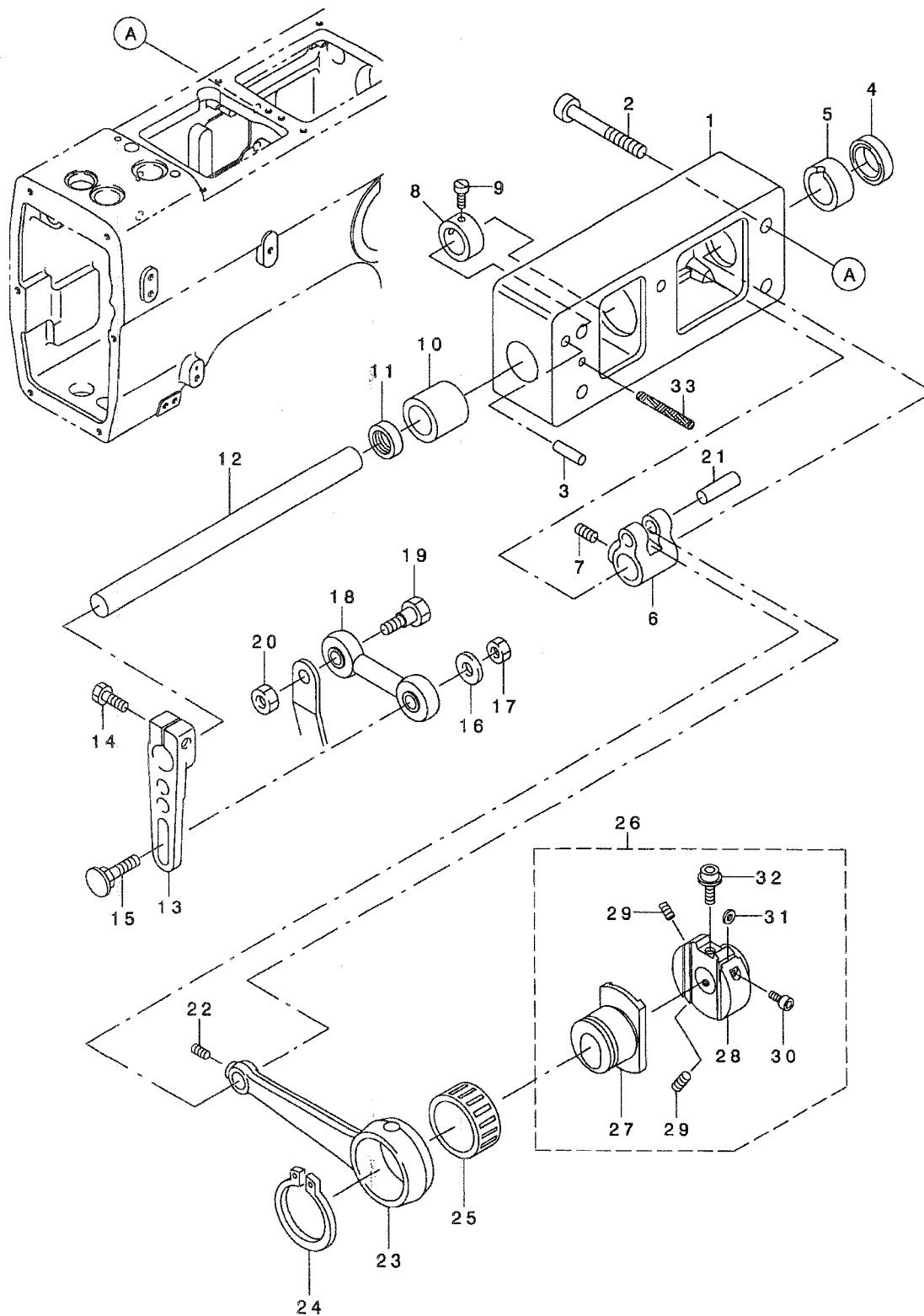
NO	NOTE	PART NO.	DESCRIPTION	Qty.
<input type="checkbox"/> 1		311-04904	OIL FILTER COVER	1
<input type="checkbox"/> 2		311-68404	SCREW (M4X0.7-8) 45	3
<input type="checkbox"/> 3		311-81407	FILTER CAP O RING	1
<input type="checkbox"/> 4		118-43208	CARTRIDGE FILTER	1
<input type="checkbox"/> 5		311-35502	FILTER JOINT	1
<input type="checkbox"/> 6		311-35700	SUCTION PIPE	1
<input type="checkbox"/> 7		311-35106	SUCTION PIPE BUSHING	1
<input type="checkbox"/> 8		311-34703	OIL PIPE	1
<input type="checkbox"/> 9		311-81100	PACKING	1
<input type="checkbox"/> 10		311-34208	OIL TUBE	1
<input type="checkbox"/> 11		311-74204	SPRING WASHER	1
<input type="checkbox"/> 12		311-71804	NUT	1
<input type="checkbox"/> 13		311-34000	OIL RESERVOIR	1
<input type="checkbox"/> 14		311-68503	SCREW (M4X0.7-5) 45	2
<input type="checkbox"/> 15		311-34455	OIL PIPE ASM.	1
<input type="checkbox"/> 16		311-35601	OIL TUBE JOINT, ONE WAY	(2)
<input type="checkbox"/> 17		311-36104	OIL TUBE CLAMP	(2)
<input type="checkbox"/> 18		311-34406	OIL PIPE	(1)
<input type="checkbox"/> 19		311-34554	OIL PIPE ASM.	1
<input type="checkbox"/> 20		311-35601	OIL TUBE JOINT, ONE WAY	(2)
<input type="checkbox"/> 21		311-36104	OIL TUBE CLAMP	(2)
<input type="checkbox"/> 22		311-34505	OIL PIPE	(1)
<input type="checkbox"/> 23		311-36252	OIL PUMP ASM. 1	1
<input type="checkbox"/> 24		311-36302	OIL PUMP DRIVING WORM GEAR	(1)
<input type="checkbox"/> 25		311-69600	SCREW (M4X0.7-4) 82	(2)
<input type="checkbox"/> 26		311-63900	SCREW (M6X1-15) 62	2
<input type="checkbox"/> 27		311-35205	OIL PIPE	1
<input type="checkbox"/> 28		311-72505	NUT	1
<input type="checkbox"/> 29		311-74907	WASHER	1
<input type="checkbox"/> 30		311-35908	UNIVERSAL ELBOW	2
<input type="checkbox"/> 31		311-36005	BAMBOO JOINT	2
<input type="checkbox"/> 32		311-34604	OIL PIPE	1
<input type="checkbox"/> 33		311-34802	SUCTION PIPE	1
<input type="checkbox"/> 34		311-37409	FELT	2
<input type="checkbox"/> 35		311-34356	OIL PIPE ASM.	1
<input type="checkbox"/> 36		311-35601	OIL TUBE JOINT, ONE WAY	(2)
<input type="checkbox"/> 37		311-36104	OIL TUBE CLAMP	(2)

38	311-34307	OIL PIPE	(1)
39	311-34109	OIL SLEEVE	1
40	311-37300	OIL PIPE SUPPORT	1
41	311-68503	SCREW (M4X0.7-8) 45	1
42	311-03609	OIL GAUGE	1
43	311-35007	FITTING STUD (LONG)	1
44	311-34901	FITTING STUD	3

OP

12. CLOTH PULLER EXCLUSIVE PARTS (1)

先引き装置専用部品 (1)

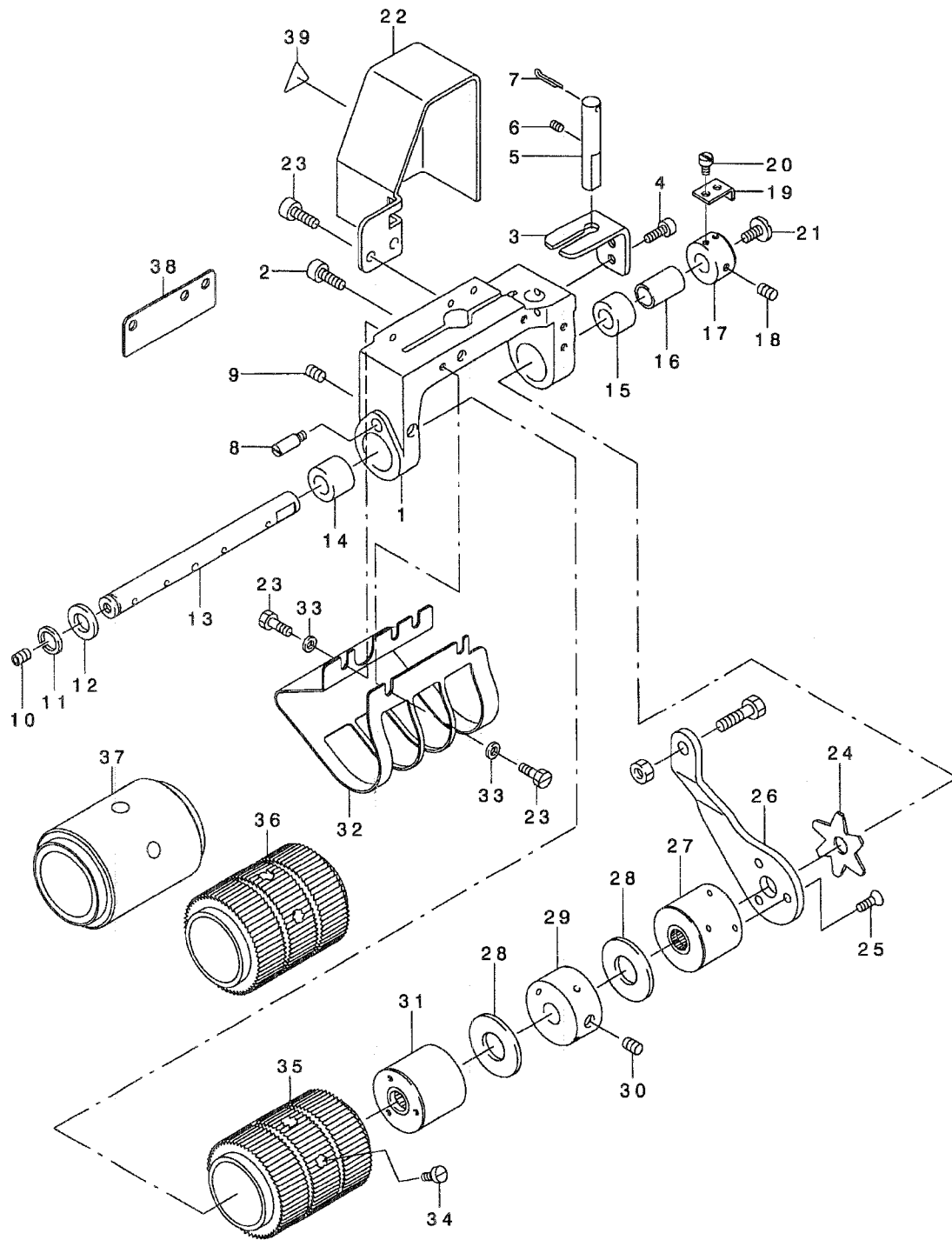


NO	NOTE	PART NO.	DESCRIPTION	Qty.
<input type="checkbox"/> 1		MAV-07211000	UPPER ROLLER SHAFT BRACKET	1
<input type="checkbox"/> 2		311-64205	SCREW (M6X1-18) 62	4
<input type="checkbox"/> 3		311-03906	NKNOCK PIN	2
<input type="checkbox"/> 4		311-79005	OIL SEAL	1
<input type="checkbox"/> 5		MAV-07209000	UPPER ROLLER SHAFT BUSHING	1
<input type="checkbox"/> 6		MAV-07205000	UPPER FEED ROLLER SHAFT LEVER	1
<input type="checkbox"/> 7		311-70301	SCREW (M6X1-6) 82	2
<input type="checkbox"/> 8		MAV-07208000	UPPER FEED ROLLER SHAFT COLLAR	1
<input type="checkbox"/> 9		311-62209	SCREW (11/64X40-5.5) 60	2
<input type="checkbox"/> 10		MAV-07210000	UPPER ROLLER SHAFT BUSHING	1
<input type="checkbox"/> 11		311-79708	OIL SEAL	1
<input type="checkbox"/> 12		MAV-07207000	UPPER FEED ROLLER SHAFT	1
<input type="checkbox"/> 13		MAV-07212000	UPPER FEED ROLLER LEVER	1
<input type="checkbox"/> 14		311-63801	SCREW (M6X1-20) 62	1
<input type="checkbox"/> 15		MAV-07213000	UPPER FEED ROLLER LEVER PIN	1
<input type="checkbox"/> 16		311-73404	WASHER	1
<input type="checkbox"/> 17		311-71903	NUT	1
<input type="checkbox"/> 18		MAV-07214000	PULLER LINK	1
<input type="checkbox"/> 19		311-66101	SCREW (1/4X40-11) 93	1
<input type="checkbox"/> 20		311-71903	NUT	1
<input type="checkbox"/> 21		MAV-07206000	ROD PIN	1
<input type="checkbox"/> 22		311-69600	SCREW (M4X0.7-4) 82	1
<input type="checkbox"/> 23		MAV-07203000	UPPER FEED ROLLER DRIVING ROD	1
<input type="checkbox"/> 24		311-75805	C RING	1
<input type="checkbox"/> 25		MAV-07204000	ROLLER BEARING	1
<input type="checkbox"/> 26		MAV-072010A0	UPPER ROLLER REGULATOR ASM.	1
<input type="checkbox"/> 27		MAV-07202000	UPPER FEED ECCENTRIC	(1)
<input type="checkbox"/> 28		MAV-07201000	UPPER FEED ROLLER REGULATOR	(1)
<input type="checkbox"/> 29		311-70004	SCREW (M5X0.8-5) 82	(2)
<input type="checkbox"/> 30		311-63603	SCREW (M4X0.7-8) 62	(1)
<input type="checkbox"/> 31		311-74709	SPACER	(1)
<input type="checkbox"/> 32		MAV-07215000	ADJUSTING SCREW	(1)
<input type="checkbox"/> 33		311-80805	OIL WICK	1

TOP

13. CLOTH PULLER EXCLUSIVE PARTS (2)

先引き装置専用部品 (2)



NO	NOTE	PART NO.	DESCRIPTION	Qty.
<input type="checkbox"/> 1		MAV-07218000	UPPER FEED ROLLER YOKE	1
<input type="checkbox"/> 2		311-63801	SCRWE (M6X1-20) 62	1
<input type="checkbox"/> 3		MAV-07223000	UPPER FEED ROLLER YOKE GUIDE	1
<input type="checkbox"/> 4		311-63603	SCREW (M4X0.7-8) 62	2
<input type="checkbox"/> 5		MAV-07224000	UPPER FEED ROLLER YOKE PIN	1
<input type="checkbox"/> 6		311-70301	SCREW (M6X1-6) 82	1
<input type="checkbox"/> 7		MAV-07225000	IRON WIRE	1
<input type="checkbox"/> 8		311-66200	SCREW (M4X0.7-6) 60	1
<input type="checkbox"/> 9		311-69600	SCREW (M4X0.7-4) 82	1
<input type="checkbox"/> 10		311-70004	SCREW (M5X0.8-5) 82	1
<input type="checkbox"/> 11		311-75706	RETAINING RING	1
<input type="checkbox"/> 12		MAV-07228000	THRUST WASHER	1
<input type="checkbox"/> 13		MAV-07226000	CLUTCH DRIVING SHAFT	1
<input type="checkbox"/> 14		MAV-07227000	CLUTCH DRIVING SHAFT BUSHING	1
<input type="checkbox"/> 15		MAV-07222000	CLUTCH DRIVING SHAFT BUSHING	1
<input type="checkbox"/> 16		MAV-07221000	CLUTCH TENSION SLEEVE	1
<input type="checkbox"/> 17		MAV-07219000	ADJUSTING COLLAR	1
<input type="checkbox"/> 18		311-70004	SCREW (M5X0.8-5) 82	2
<input type="checkbox"/> 19		MAV-07220000	ADJUSTING SCREW STAY	1
<input type="checkbox"/> 20		311-61607	SCREW (M3X0.5-5) 60	2
<input type="checkbox"/> 21		311-60302	SCREW (M5X0.8-12) 60	1
<input type="checkbox"/> 22		MAV-07239000	CLUTCH PLATE COVER	1
<input type="checkbox"/> 23		311-60807	SCREW (M4X0.7-8) 60	5
<input type="checkbox"/> 24		MAV-07217000	CLUTCH TENSION SPRING	1
<input type="checkbox"/> 25		311-69105	SCREW (M4X0.7-7.3) 10	3
<input type="checkbox"/> 26		MAV-07216000	CLUTCH PLATE (RIGHT)	1
<input type="checkbox"/> 27		MAV-072290A0	CLUTCH SLEEVE ASM. (RIGHT)	1
<input type="checkbox"/> 28		MAV-07232000	THRUST PLATE	2
<input type="checkbox"/> 29		MAV-07233000	CLUTCH SPACER	1
<input type="checkbox"/> 30		311-69907	SCREW (M6X1-8) T82	1
<input type="checkbox"/> 31		MAV-072340A0	CLUTCH SLEEVE ASM. (LEFT)	1
<input type="checkbox"/> 32		MAV-07238000	UPPER FEED ROLLER COVER	1
<input type="checkbox"/> 33		311-73602	WASHER	2
<input type="checkbox"/> 34		311-61201	SCREW (M3X0.8-10) 40	3
<input type="checkbox"/> 35	#01	MAV-07235000	UPPER FEED ROLLER	1

<input type="checkbox"/> 36	#02	MAV-07236000	UPPER FEED ROLLER	1
<input type="checkbox"/> 37	#03	MAV-07237000	UPPER FEED ROLLER	1
<input type="checkbox"/> 38	#03	MAV-07240000	UPPER FEED ROLLER COVER	1
<input type="checkbox"/> 39		CM-3002000-01	ATTENTION SEAL	1

NOTE #01... STANDARD (PLASTIC)

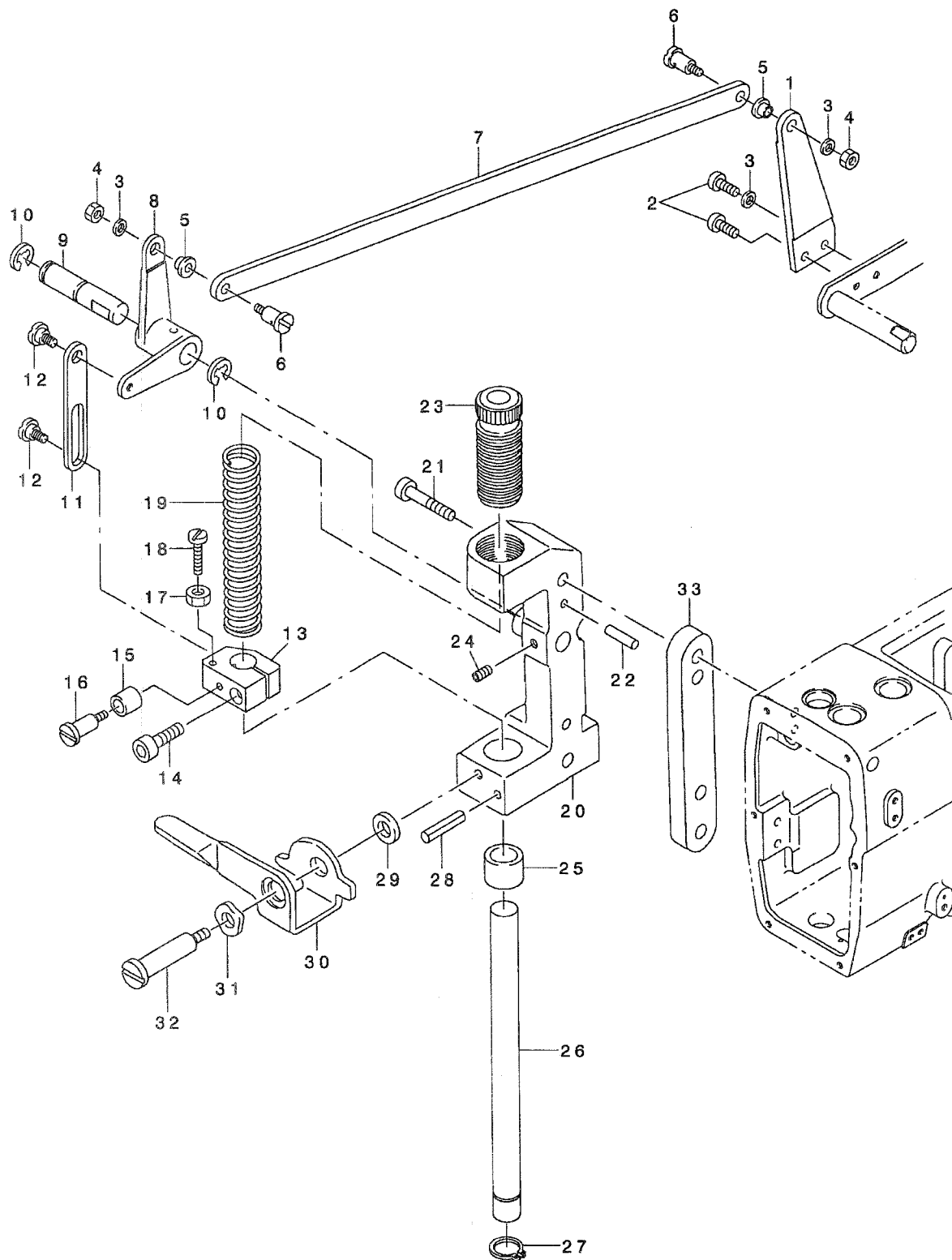
#02... OPTIONAL PARTS (IRON)

#03... OPTIONAL PARTS

TOP

14. CLOTH PULLER EXCLUSIVE PARTS (3)

先引き装置専用部品 (3)

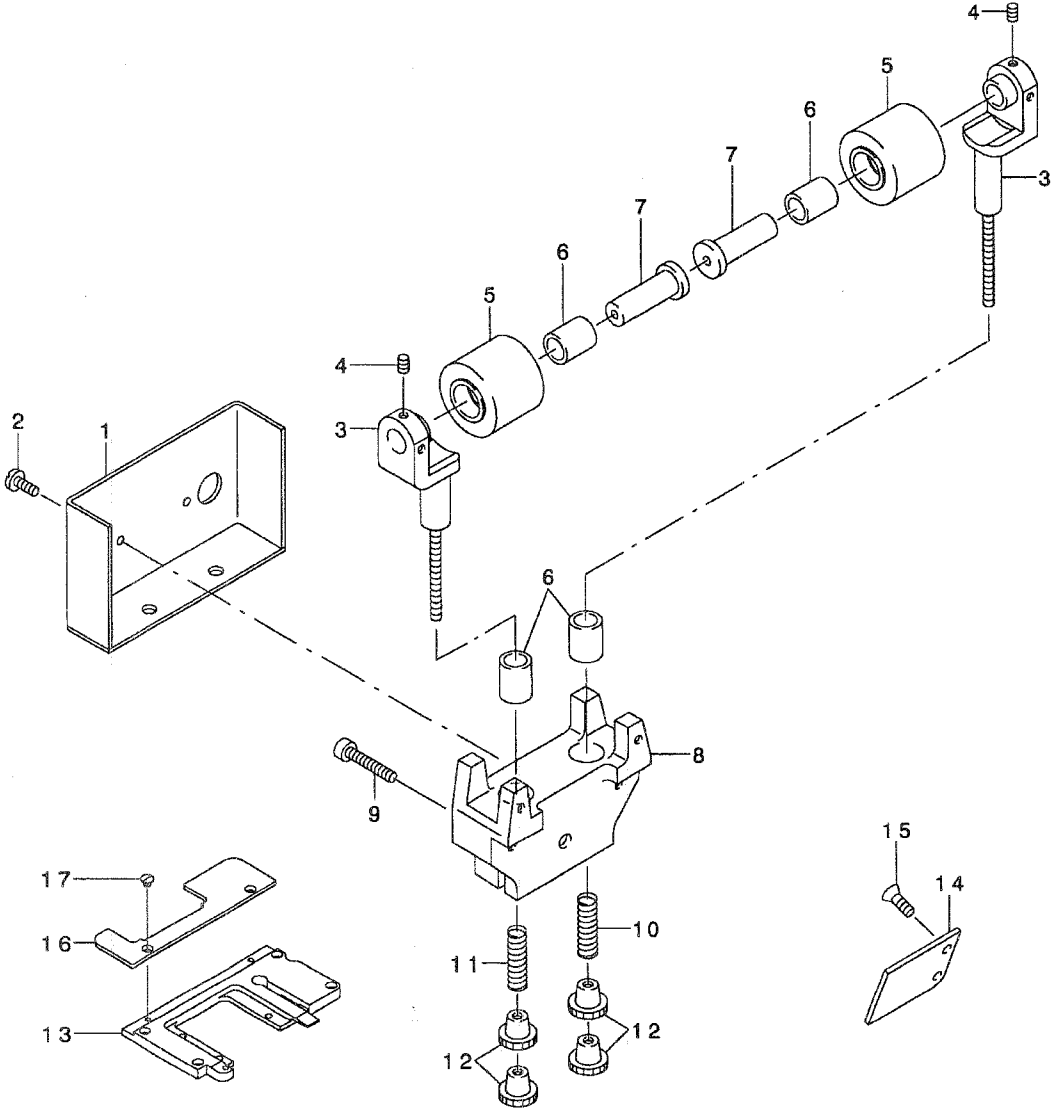


NO	NOTE	PART NO.	DESCRIPTION	Qty.
<input type="checkbox"/> 1		MAV-07254000	UPPER ROLLER LIFTER (RIGHT)	1
<input type="checkbox"/> 2		311-65400	SCREW (M4X0.7-10) 40	2
<input type="checkbox"/> 3		311-73602	WASHER	3
<input type="checkbox"/> 4		311-72000	NUT	2
<input type="checkbox"/> 5		MAV-07255000	FIEXIBLE WIRE CLAMP BUSHING	2
<input type="checkbox"/> 6		311-67000	STEP-SCREW (11/64X40-6) D60	2
<input type="checkbox"/> 7		MAV-07253000	LIFTER CONNECTING PLATE	1
<input type="checkbox"/> 8		MAV-07251000	UPPER FEED ROLLER LIFTER (LEFT	1
<input type="checkbox"/> 9		MAV-07252000	UPPER FEED ROLLER LIFTER PIN	1
<input type="checkbox"/> 10		311-75409	E RING	2
<input type="checkbox"/> 11		MAV-07250000	LIFTING CONNECTING PLATE	1
<input type="checkbox"/> 12		311-66903	STEP-SCREW (3/16X32-2.2) D60	2
<input type="checkbox"/> 13		MAV-07247000	ROLLER PRESS BAR BRACKET	1
<input type="checkbox"/> 14		311-62803	SCREW (M5X0.8-14) 62	1
<input type="checkbox"/> 15		MAV-07248000	LIFTING LEVER SLEEVE	1
<input type="checkbox"/> 16		311-67109	STEP-SCREW (11/64X40-5.5) D60	1
<input type="checkbox"/> 17		311-72109	NUT	1
<input type="checkbox"/> 18		311-62100	SCREW (11/64X40-26) 60	1
<input type="checkbox"/> 19		MAV-07246000	ROLLER PRESS SPRING	1
<input type="checkbox"/> 20		MAV-07242000	UPPER FEED ROLLER BRACKET	1
<input type="checkbox"/> 21		311-63207	SCREW (M6X1-40) 62	2
<input type="checkbox"/> 22		311-03906	KNOCK PIN	2
<input type="checkbox"/> 23		MAV-07244000	ROLLER PRESS BAR BUSHING,UPPER	1
<input type="checkbox"/> 24		311-70301	SCREW (M6X1-6) 82	1
<input type="checkbox"/> 25		MAV-07243000	ROLLER PRESS BAR BUSHING,LOWER	1
<input type="checkbox"/> 26		MAV-07245000	UPPER FEED ROLLER PRESS BAR	1
<input type="checkbox"/> 27		311-75607	C RING	1
<input type="checkbox"/> 28		311-77405	SPRING PIN	1
<input type="checkbox"/> 29		311-73404	WASHER	1
<input type="checkbox"/> 30		MAV-07249000	UPPER ROLLER LIFTING LEVER	1
<input type="checkbox"/> 31		311-74303	WAVE WASHER	1
<input type="checkbox"/> 32		311-66804	STEP-SCREW (M6X1-9) D60	1
<input type="checkbox"/> 33		MAV-07241000	SPACER	1

TOP

15. CLOTH PULLER EXCLUSIVE PARTS (4)

先引き装置専用部品 (4)

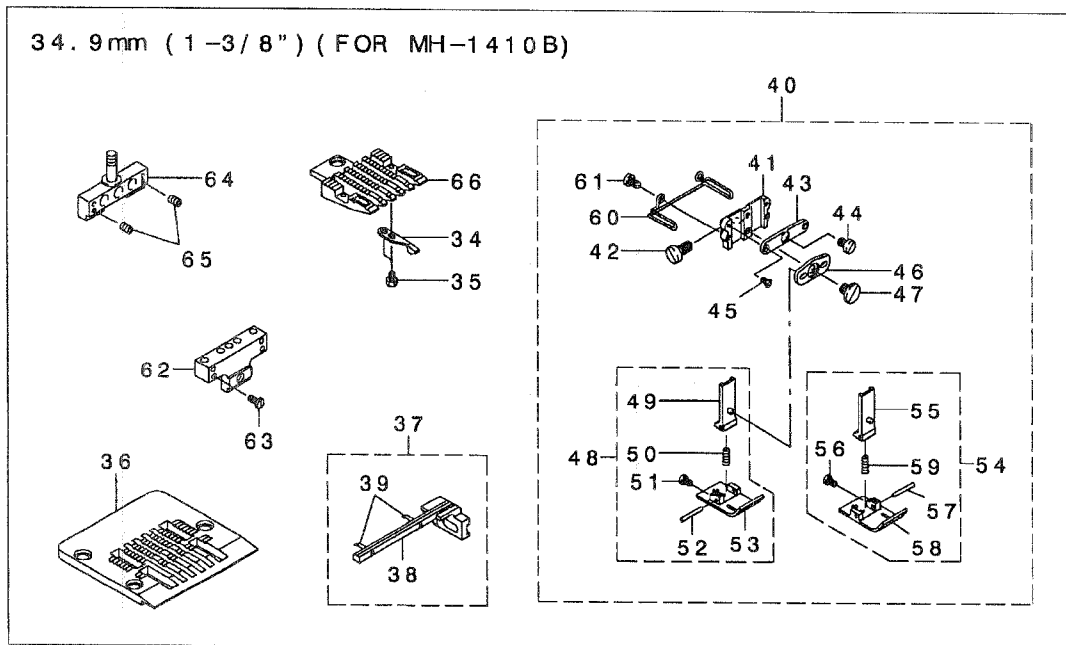
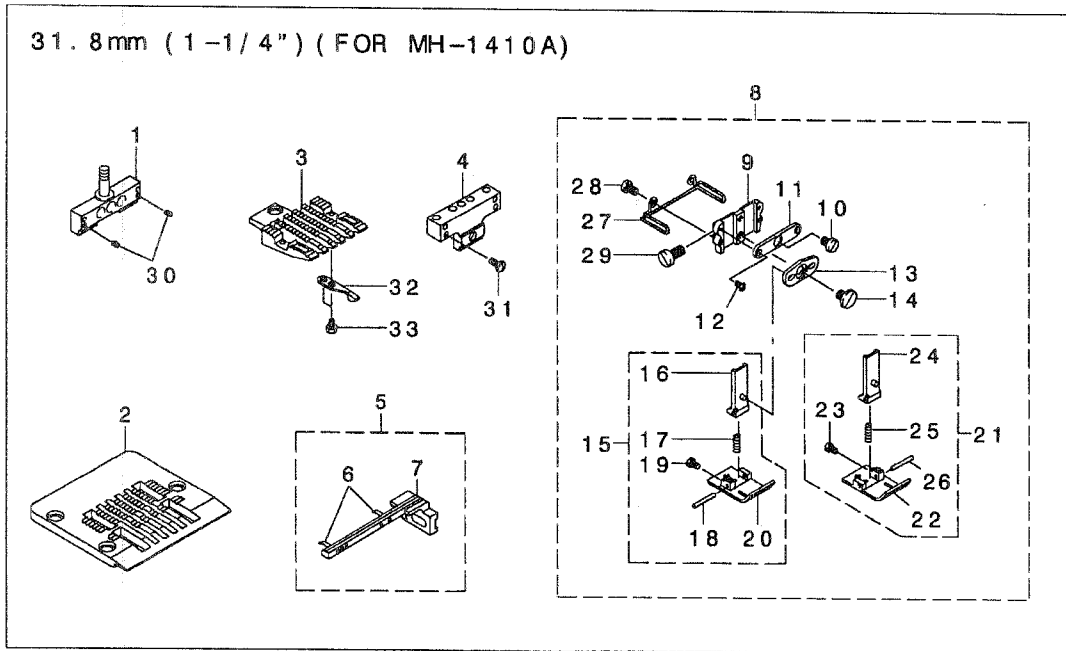


NO	NOTE	PART NO.	DESCRIPTION	Qty.
<input type="checkbox"/> 1		MAV-07265000	LOWER FEED ROLLER COVER	1
<input type="checkbox"/> 2		311-61904	SCREW (1/8X44-2.1) 40	2
<input type="checkbox"/> 3		MAV-072590A0	LOWER ROLLER FITTING BASE ASM.	2
<input type="checkbox"/> 4		311-69303	SCREW (M4X0.7-4) 82	4
<input type="checkbox"/> 5		MAV-07256000	LOWER FEED ROLLER	2
<input type="checkbox"/> 6		MAV-07257000	LOWER FEED ROLLER BUSHING	4
<input type="checkbox"/> 7		MAV-07258000	LOWER FEED ROLLER PIN	2
<input type="checkbox"/> 8		MAV-07264000	LOWER FEED ROLLER BRACKET	1
<input type="checkbox"/> 9		311-63801	SCREW (M6X1-20) 62	2
<input type="checkbox"/> 10		MAV-07262000	FITTING BASE SPRING (RIGHT)	1
<input type="checkbox"/> 11		MAV-07261000	FITTING BASE SPRING (LEFT)	1
<input type="checkbox"/> 12		MAV-07263000	ADJUSTING PICK-UP NUT	4
<input type="checkbox"/> 13		MAV-07266000	THROAT PLATE FITTING BASE	1
<input type="checkbox"/> 14		MAV-07267000	CYLINDER COVER (REAR)	1
<input type="checkbox"/> 15		311-69006	SCREW (M3X0.5-6) 10	2
<input type="checkbox"/> 16		MAV-07268000	CYLINDER COVER (UPPER)	1
<input type="checkbox"/> 17		MAV-07269000	SCRWE (M4X0.7-6) 10	2

TOP

16. GAGE EXCLUSIVE PARTS (1)

ゲージ専用部品 (1)



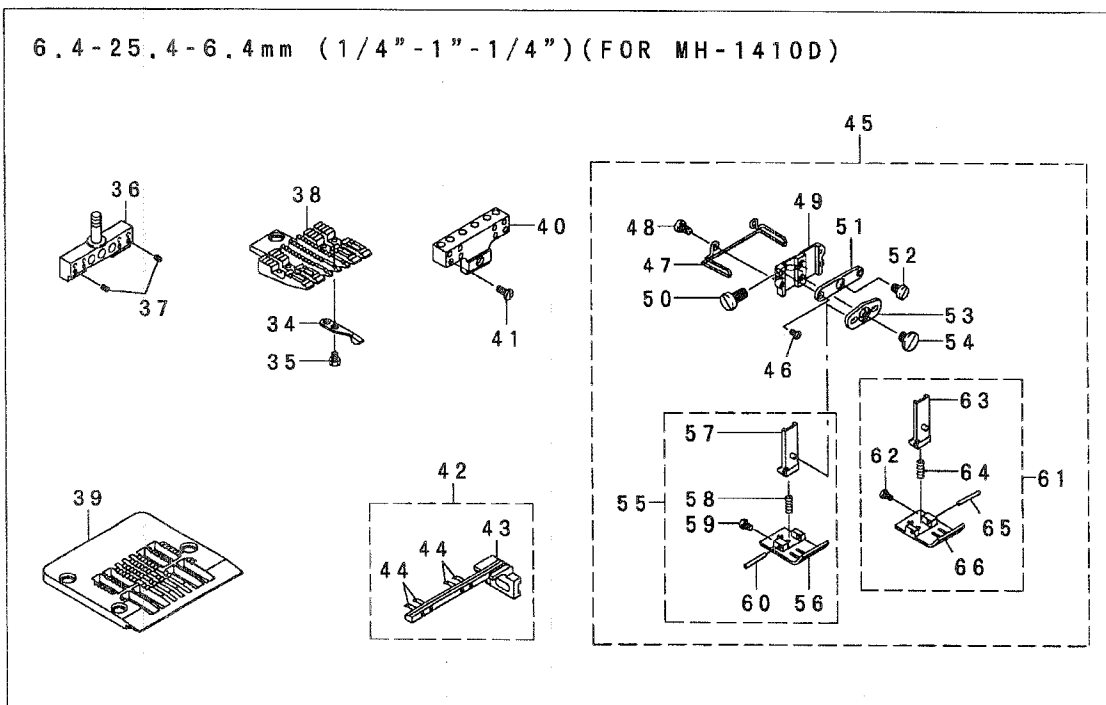
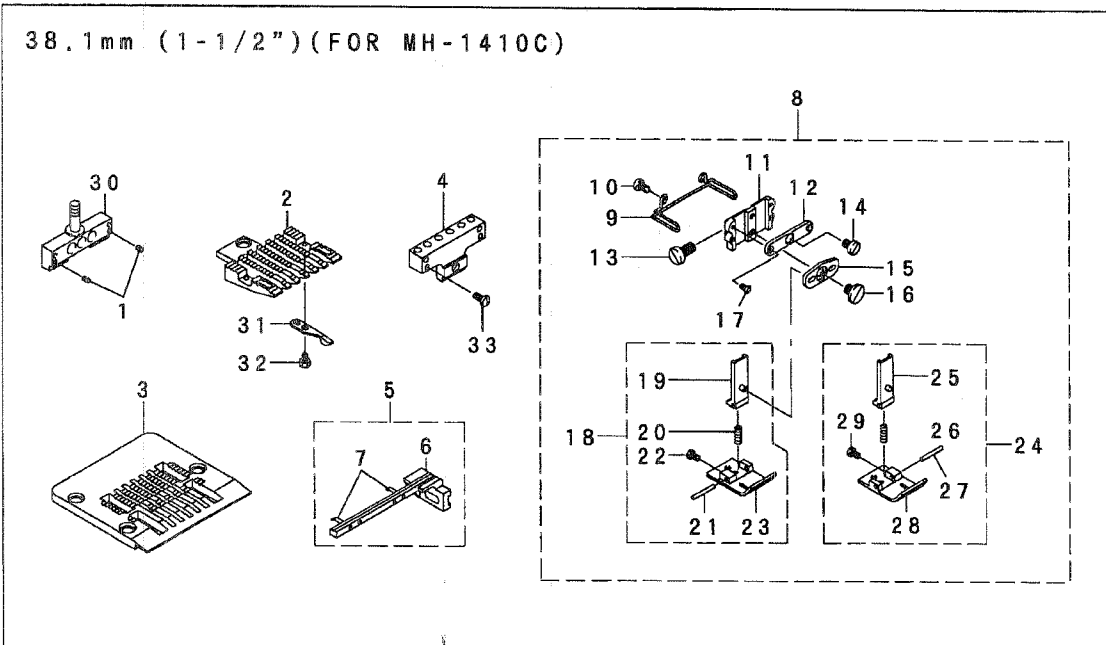
NO	NOTE	PART NO.	DESCRIPTION	Qty.
<input type="checkbox"/> 1		311-46004	NEEDLE CLAMP 31.8MM	1
<input type="checkbox"/> 2		311-45006	NEEDLE PLATE 31.8MM	1
<input type="checkbox"/> 3		311-53109	FEED DOG 31.8MM	1
<input type="checkbox"/> 4		311-54008	LOOPER HOLDER 31.8MM	1
<input type="checkbox"/> 5		311-55054	SPREADER ASM. 31.8MM	1
<input type="checkbox"/> 6		311-55104	SPREADER PIN	(2)
<input type="checkbox"/> 7		311-55005	SPREADER 31.8MM	(1)
<input type="checkbox"/> 8		311-47150	PRESSER FOOT ASM. 31.8MM	1
<input type="checkbox"/> 9		311-51004	PRESSER FOOT (UPPER)	(1)
<input type="checkbox"/> 10		311-61706	SCREW (M4X0.7-5.4) 60	(1)
<input type="checkbox"/> 11		311-51301	PRESSER FOOT GUIDE PLATE	(1)
<input type="checkbox"/> 12		311-68909	SCREW (M2.5X0.45-6) 10	(2)
<input type="checkbox"/> 13		311-51400	PRESSER FOOT GUIDE PLATE,LOWER	(1)
<input type="checkbox"/> 14		311-66002	STEP-SCREW (M5X0.8-4.5) D60	(1)
<input type="checkbox"/> 15		311-48059	PRESSER FOOT ASM. (LEFT)31.8MM	(1)
<input type="checkbox"/> 16		311-51152	PRESSER FOOT (LOWER) GUIDE	(1)
<input type="checkbox"/> 17		311-51509	PRESSER FOOT (LOWER) SPRING	(1)
<input type="checkbox"/> 18		311-77207	PRESSER FOOT (LOWER) GUIDE PIN	(1)
<input type="checkbox"/> 19		311-60401	SCREW (M3X0.5-4.2) 60	(1)
<input type="checkbox"/> 20		311-49602	PRESSER FOOT (LEFT) 31.8MM	(1)
<input type="checkbox"/> 21		311-48851	PRESSER FOOT (RIGHT)ASM.31.8MM	(1)
<input type="checkbox"/> 22		311-50402	PRESSER FOOT (RIGHT) 31.8MM	(1)
<input type="checkbox"/> 23		311-60401	SCREW (M3X0.5-4.2) 60	(1)
<input type="checkbox"/> 24		311-51152	PRESSER FOOT (LOWER) GUIDE	(1)
<input type="checkbox"/> 25		311-51509	PRESSER FOOT (LOWER) SPRING	(1)
<input type="checkbox"/> 26		311-77207	PRESSER FOOT (LOWER) GUIDE PIN	(1)
<input type="checkbox"/> 27		311-51608	FINGER GUARD	(1)
<input type="checkbox"/> 28		311-61508	SCREW (M3.5X0.6-6) 40	(2)
<input type="checkbox"/> 29		311-61300	SCREW (M5X0.8-10) 40	(1)
<input type="checkbox"/> 30		311-70707	SCREW (1/8X44-2.4) 80	2
<input type="checkbox"/> 31		311-62407	SCRWE (M3X0.5-7) 40	4
<input type="checkbox"/> 32		311-53505	NEEDLE HOLDER (FRONT)	2
<input type="checkbox"/> 33		311-60203	SCREW (3/32X56-3.8) 60	4
<input type="checkbox"/> 34		311-53505	NEEDLE HOLDER (FRONT)	2
<input type="checkbox"/> 35		311-60203	SCREW (3/32X56-3.8) 60	4

<input type="checkbox"/> 36	311-45105	NEEDLE PLATE 34.9MM	1
<input type="checkbox"/> 37	311-55252	SPREADER ASM. 34.9MM	1
<input type="checkbox"/> 38	311-55203	SPREADER 34.9MM	(1)
<input type="checkbox"/> 39	311-55104	SPREADER PIN	(2)
<input type="checkbox"/> 40	311-47051	PRESSER FOOT ASM. 34.9MM	1
<input type="checkbox"/> 41	311-51004	PRESSER FOOT (UPPER)	(1)
<input type="checkbox"/> 42	311-61300	SCREW (M5X0.8-10) 40	(1)
<input type="checkbox"/> 43	311-51301	PRESSER FOOT GUIDE PLATE	(1)
<input type="checkbox"/> 44	311-61706	SCREW (M4X0.7-5.4) 60	(1)
<input type="checkbox"/> 45	311-68909	SCREW (M2.5X0.45-6) 10	(2)
<input type="checkbox"/> 46	311-51400	PRESSER FOOT GUIDE PLATE,LOWER	(1)
<input type="checkbox"/> 47	311-66002	STEP-SCREW (M5X0.8-4.5) D60	(1)
<input type="checkbox"/> 48	311-47853	PRESSER FOOT ASM. (LEFT)34.9MM	(1)
<input type="checkbox"/> 49	311-51152	PRESSER FOOT (LOWER) GUIDE	(1)
<input type="checkbox"/> 50	311-51509	PRESSER FOOT (LOWER) SPRING	(1)
<input type="checkbox"/> 51	311-60401	SCREW (M3X0.5-4.2) 60	(1)
<input type="checkbox"/> 52	311-77207	PRESSER FOOT (LOWER) GUIDE PIN	(1)
<input type="checkbox"/> 53	311-49404	PRESSER FOOT (LEFT) 34.9MM	(1)
<input type="checkbox"/> 54	311-48653	PRESSER FOOT (RIGHT)ASM.34.9MM	(1)
<input type="checkbox"/> 55	311-51152	PRESSER FOOT (LOWER) GUIDE	(1)
<input type="checkbox"/> 56	311-60401	SCREW (M3X0.5-4.2) 60	(1)
<input type="checkbox"/> 57	311-77207	PRESSER FOOT (LOWER) GUIDE PIN	(1)
<input type="checkbox"/> 58	311-50204	PRESSER FOOT (RIGHT) 34.9MM	(1)
<input type="checkbox"/> 59	311-51509	PRESSER FOOT (LOWER) SPRING	(1)
<input type="checkbox"/> 60	311-51608	FINGER GUARD	(1)
<input type="checkbox"/> 61	311-61508	SCREW (M3.5X0.6-6) 40	(2)
<input type="checkbox"/> 62	311-54107	LOOPER HOLDER 34.9MM	1
<input type="checkbox"/> 63	311-62407	SCREW (M3X0.5-7) 40	4
<input type="checkbox"/> 64	311-46103	NEEDLE CLAMP 34.9MM	1
<input type="checkbox"/> 65	311-70707	SCREW (1/8X44-2.4) 80	2
<input type="checkbox"/> 66	311-53208	FEED DOG 34.9MM	1

TOP

17. GAGE EXCLUSIVE PARTS (2)

ゲージ専用部品 (2)



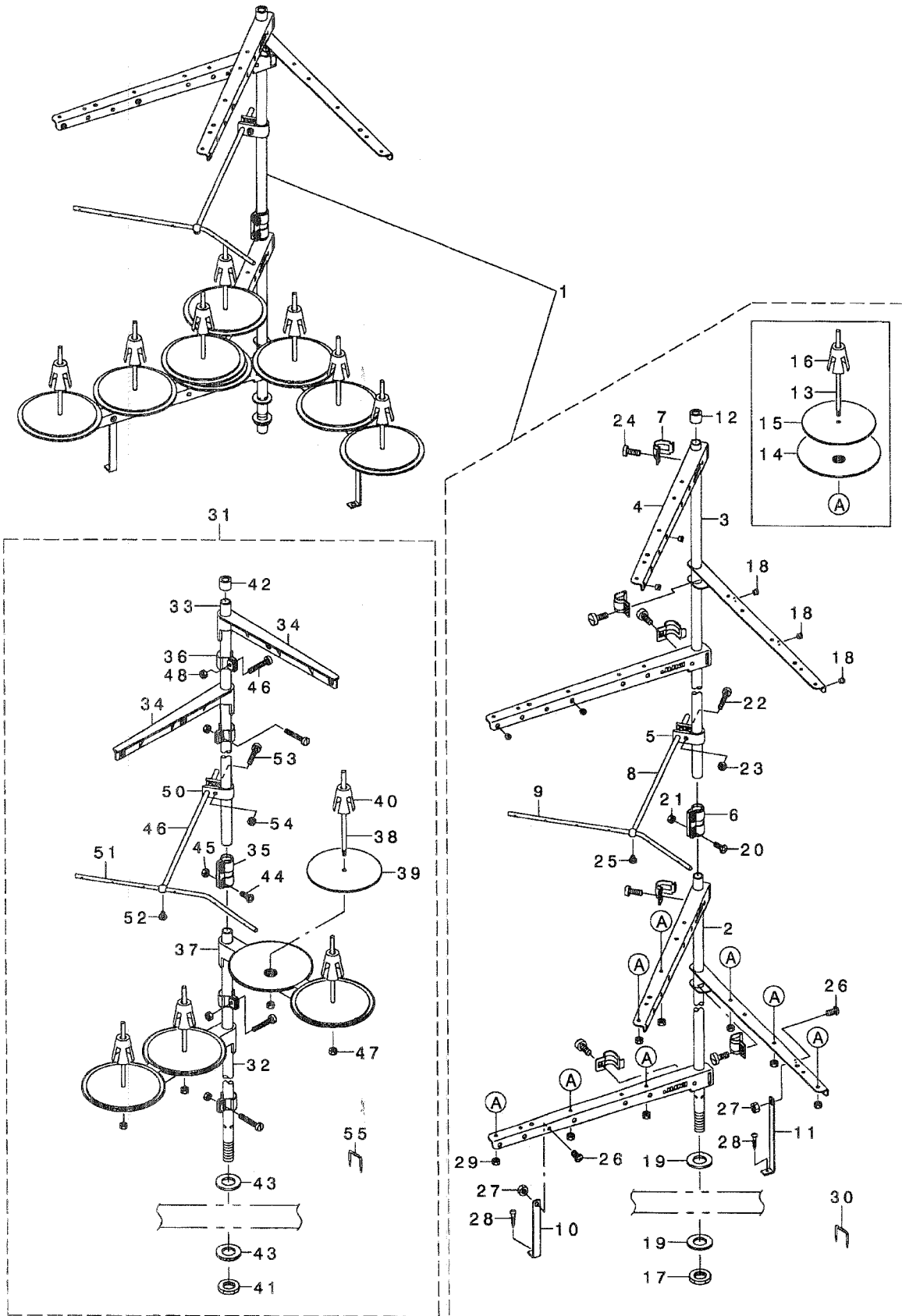
NO	NOTE	PART NO.	DESCRIPTION	Qty.
<input type="checkbox"/> 1		311-70707	SCREW (1/8X44-2.4) 80	2
<input type="checkbox"/> 2		311-53307	FEED DOG 38.1MM	1
<input type="checkbox"/> 3		311-45204	NEEDLE PLATE 38.1MM	1
<input type="checkbox"/> 4		311-54206	LOOPER HOLDER 38.1MM	1
<input type="checkbox"/> 5		311-55351	SPREADER ASM. 38.1MM	1
<input type="checkbox"/> 6		311-55302	SPREADER 38.1MM	(1)
<input type="checkbox"/> 7		311-55104	SPREADER PIN	(2)
<input type="checkbox"/> 8		311-47259	PRESSER FOOT ASM. 38.1MM	1
<input type="checkbox"/> 9		311-51608	FINGER GUARD	(1)
<input type="checkbox"/> 10		311-61508	SCREW (M3.5X0.6-6) 40	(2)
<input type="checkbox"/> 11		311-51004	PRESSER FOOT (UPPER)	(1)
<input type="checkbox"/> 12		311-51301	PRESSER FOOT GUIDE PLATE	(1)
<input type="checkbox"/> 13		311-61300	SCREW (M5X0.8-10) 40	(1)
<input type="checkbox"/> 14		311-61706	SCREW (M4X0.7-5.4) 60	(1)
<input type="checkbox"/> 15		311-51400	PRESSER FOOT GUIDE PLATE,LOWER	(1)
<input type="checkbox"/> 16		311-66002	STEP-SCREW (M5X0.8-4.5) D60	(1)
<input type="checkbox"/> 17		311-68909	SCREW (M2.5X0.45-6) 10	(2)
<input type="checkbox"/> 18		311-48158	PRESSER FOOT ASM. (LEFT)38.1MM	(1)
<input type="checkbox"/> 19		311-51152	PRESSER FOOT (LOWER) GUIDE	(1)
<input type="checkbox"/> 20		311-51509	PRESSER FOOT (LOWER) SPRING	(1)
<input type="checkbox"/> 21		311-77207	PRESSER FOOT (LOWER) GUIDE PIN	(1)
<input type="checkbox"/> 22		311-60401	SCREW (M3X0.5-4.2) 60	(1)
<input type="checkbox"/> 23		311-49701	PRESSER FOOT (LEFT) 38.1MM	(1)
<input type="checkbox"/> 24		311-48950	PRESSER FOOT (RIGHT)ASM.38.1MM	(1)
<input type="checkbox"/> 25		311-51152	PRESSER FOOT (LOWER) GUIDE	(1)
<input type="checkbox"/> 26		311-51509	PRESSER FOOT (LOWER) SPRING	(1)
<input type="checkbox"/> 27		311-77207	PRESSER FOOT (LOWER) GUIDE PIN	(1)
<input type="checkbox"/> 28		311-50501	PRESSER FOOT (RIGHT) 38.1MM	(1)
<input type="checkbox"/> 29		311-60401	SCREW (M3X0.5-4.2) 60	(1)
<input type="checkbox"/> 30		311-46202	NEEDLE CLAMP 38.1MM	1
<input type="checkbox"/> 31		311-53505	NEEDLE HOLDER (FRONT)	2
<input type="checkbox"/> 32		311-60203	SCREW (3/32X56-3.8) 60	4
<input type="checkbox"/> 33		311-62407	SCREW (M3X0.5-7) 40	4
<input type="checkbox"/> 34		311-53505	NEEDLE HOLDER (FRONT)	4
<input type="checkbox"/> 35		311-60203	SCREW (3/32X56-3.8) 60	8

<input type="checkbox"/> 36	311-46301	NEEDLE CLAMP 1/4-1-1/4	1
<input type="checkbox"/> 37	311-70707	SCREW (1/8X44-2.4) 80	4
<input type="checkbox"/> 38	311-53406	FEED DOG 1/4-1-1/4	1
<input type="checkbox"/> 39	311-45303	NEEDLE PLATE 1/4-1-1/4	1
<input type="checkbox"/> 40	311-54305	LOOPER BASE 1/4-1-1/4	1
<input type="checkbox"/> 41	311-62407	SCREW (M3X0.5-7) 40	8
<input type="checkbox"/> 42	311-55450	SPREADER ASM. 1/4-1-1/4	1
<input type="checkbox"/> 43	311-55401	SPREADER 1/4-1-1/4	(1)
<input type="checkbox"/> 44	311-55104	SPREADER PIN	(4)
<input type="checkbox"/> 45	311-47358	PRESSER FOOT ASM. 1/4-1-1/4	1
<input type="checkbox"/> 46	311-68909	SCREW (M2.5X0.45-6) 10	(2)
<input type="checkbox"/> 47	311-51608	FINGER GUARD	(1)
<input type="checkbox"/> 48	311-61508	SCREW (M3.5X0.6-6) 40	(2)
<input type="checkbox"/> 49	311-51004	PRESSER FOOT (UPPER)	(1)
<input type="checkbox"/> 50	311-61300	SCREW (M5X0.8-10) 40	(1)
<input type="checkbox"/> 51	311-51301	PRESSER FOOT GUIDE PLATE	(1)
<input type="checkbox"/> 52	311-61706	SCREW (M4X0.7-5.4) 60	(1)
<input type="checkbox"/> 53	311-51400	PRESSER FOOT GUIDE PLATE,LOWER	(1)
<input type="checkbox"/> 54	311-66002	STEP-SCREW (M5X0.8-4.5) D60	(1)
<input type="checkbox"/> 55	311-47952	PRESSER FOOT ASM.(LEFT)	(1)
<input type="checkbox"/> 56	311-49503	PRESSER FOOT (LEFT) 1/4-1-1/4	(1)
<input type="checkbox"/> 57	311-51152	PRESSER FOOT (LOWER) GUIDE	(1)
<input type="checkbox"/> 58	311-51509	PRESSER FOOT (LOWER) SPRING	(1)
<input type="checkbox"/> 59	311-60401	SCREW (M3X0.5-4.2) 60	(1)
<input type="checkbox"/> 60	311-77207	PRESSER FOOT (LOWER) GUIDE PIN	(1)
<input type="checkbox"/> 61	311-48752	PRESSER FOOT (RIGHT) ASM.	(1)
<input type="checkbox"/> 62	311-60401	SCREW (M3X0.5-4.2) 60	(1)
<input type="checkbox"/> 63	311-51152	PRESSER FOOT (LOWER) GUIDE	(1)
<input type="checkbox"/> 64	311-51509	PRESSER FOOT (LOWER) SPRING	(1)
<input type="checkbox"/> 65	311-77207	PRESSER FOOT (LOWER) GUIDE PIN	(1)
<input type="checkbox"/> 66	311-50303	PRESSER FOOT (RIGHT) ASM.	(1)

TOP

18. THREAD STAND COMPONENTS

糸立装置関係



NO	NOTE	PART NO.	DESCRIPTION	Qty.
<input type="checkbox"/> 1	#02	311-38555	THREAD RAISING DEVICE ASM.	1
<input type="checkbox"/> 2		111-85105	SPOOL REST ROD,LOWER	(1)
<input type="checkbox"/> 3		111-85204	SPOOL REST ROD,UPPER	(1)
<input type="checkbox"/> 4		119-69508	SPOOL REST ARM A	(6)
<input type="checkbox"/> 5		B3304-704-000-A	THREAD GUIDE ARM HOLDER	(1)
<input type="checkbox"/> 6		B3305-704-000-A	SPOOL REST ROD JOINT	(1)
<input type="checkbox"/> 7		B3318-704-L00-A	THREAD GUIDE ARM JOINT	(6)
<input type="checkbox"/> 8		B3309-704-000	THREAD GUIDE ARM	(1)
<input type="checkbox"/> 9		B3311-843-000	LOWER THREAD GUIDE	(1)
<input type="checkbox"/> 10		B3321-704-L00	SPOOL REST ARM SUPPORT, A	(1)
<input type="checkbox"/> 11		B3321-704-L0B	SPOOL REST ARM SUPPORT, B	(1)
<input type="checkbox"/> 12		B3311-704-000	SPOOL REST ROD CAP	(1)
<input type="checkbox"/> 13		B3320-704-L00-A	SPOOL PIN	(8)
<input type="checkbox"/> 14		119-66504	SPOOL REST	(8)
<input type="checkbox"/> 15		B3311-012-000	SPOOL REST CUSHION	(8)
<input type="checkbox"/> 16		111-85501	SPOOL RETAINER	(8)
<input type="checkbox"/> 17		B3317-704-000	NUT	(1)
<input type="checkbox"/> 18		B3319-704-L00	THREAD WAY	(8)
<input type="checkbox"/> 19		WP-1612616-SE	WASHER 16X30X2.6	(2)
<input type="checkbox"/> 20		SM-4051405-SE	SCREW M5 L=14	(2)
<input type="checkbox"/> 21		NM-6050001-SE	NUT M5	(2)
<input type="checkbox"/> 22		SM-6053000-SE	SCREW M5X0.8 L=30	(1)
<input type="checkbox"/> 23		NM-6050001-SE	NUT M5	(1)
<input type="checkbox"/> 24		SM-6061610-SC	SCREW M6 L=15	(6)
<input type="checkbox"/> 25		SS-7110540-SP	SCREW 11/64-40 L=5	(1)
<input type="checkbox"/> 26		SM-4061201-SE	SCREW M6 L=12	(2)
<input type="checkbox"/> 27		NM-6060001-SE	NUT M6	(2)
<input type="checkbox"/> 28		SK-3382001-SE	SCREW D=3.8 L=20	(2)
<input type="checkbox"/> 29		NM-6050001-SE	NUT M5	(8)
<input type="checkbox"/> 30		MAO-11532000	CORD STAPLE	(3)
<input type="checkbox"/> 31	#01	119-69458	THREAD RAISING DEVICE ASM.	1
<input type="checkbox"/> 32		111-85105	SPOOL REST ROD,LOWER	(1)
<input type="checkbox"/> 33		111-85204	SPOOL REST ROD,UPPER	(1)
<input type="checkbox"/> 34		111-85352	THREAD GUIDE ASM.	(2)
<input type="checkbox"/> 35		B3305-704-000-A	SPOOL REST ROD JOINT	(1)

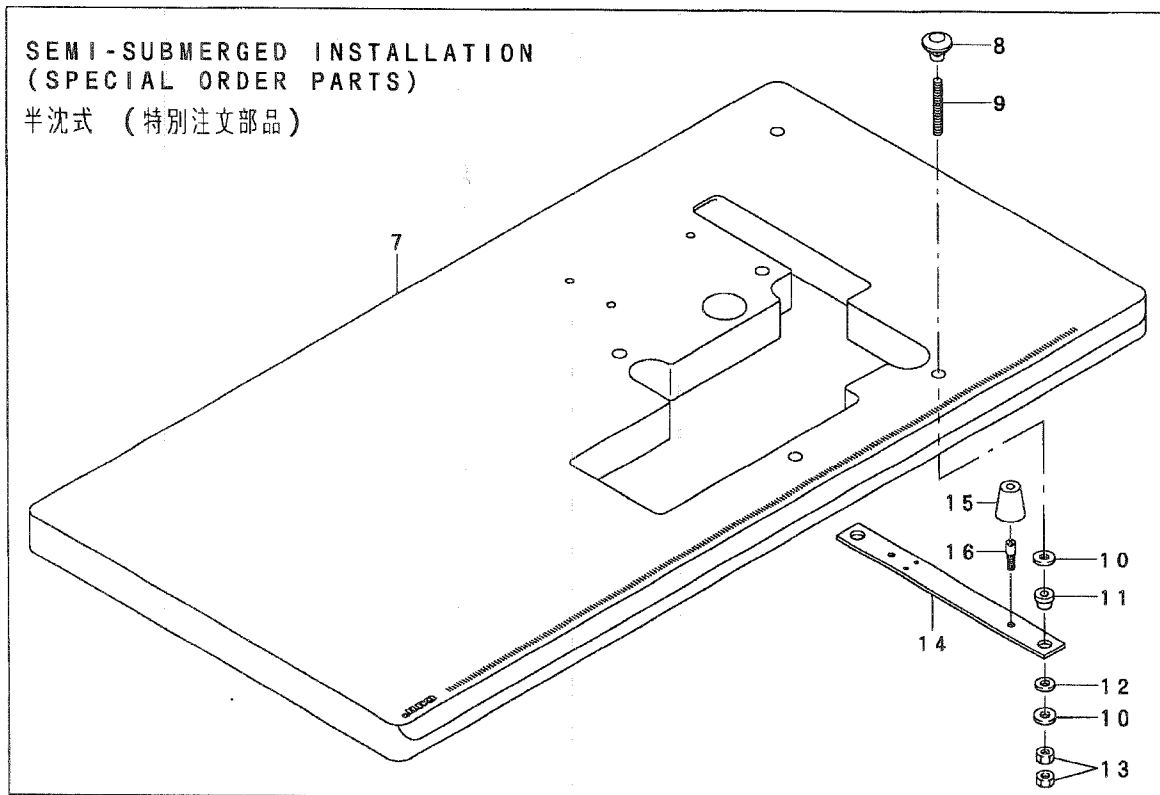
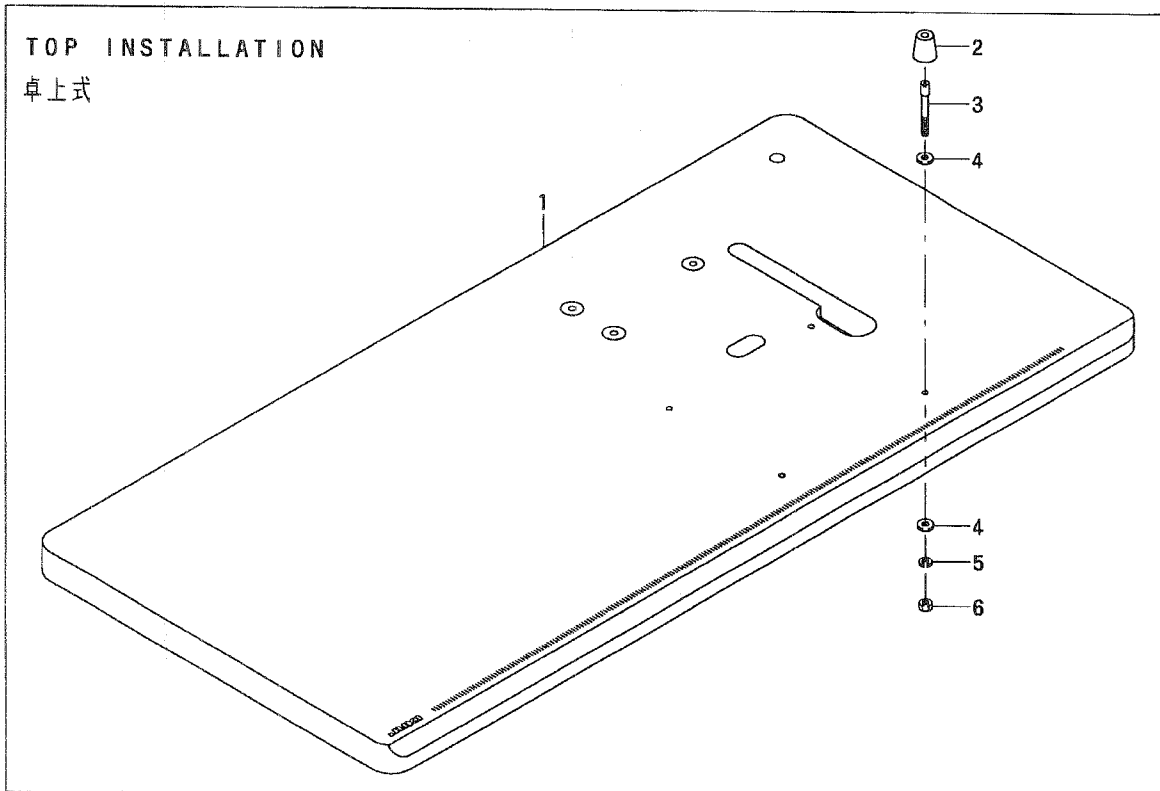
<input type="checkbox"/> 36	111-85402	THREAD GUIDE ARM JOINT	(4)
<input type="checkbox"/> 37	111-85006	SPOOL REST ARM	(2)
<input type="checkbox"/> 38	B3320-704-L00-A	SPOOL PIN	(4)
<input type="checkbox"/> 39	B3311-012-000	SPOOL REST CUSHION	(4)
<input type="checkbox"/> 40	111-85501	SPOOL RETAINER	(4)
<input type="checkbox"/> 41	B3317-704-000	NUT	(1)
<input type="checkbox"/> 42	B3311-704-000	SPOOL REST ROD CAP	(1)
<input type="checkbox"/> 43	WP-1612616-SE	WASHER 16X30X2.6	(2)
<input type="checkbox"/> 44	SM-4051405-SE	SCREW M5 L=14	(2)
<input type="checkbox"/> 45	NM-6050001-SE	NUT M5	(2)
<input type="checkbox"/> 46	SM-4051405-SE	SCREW M5 L=14	(4)
<input type="checkbox"/> 47	NM-6050001-SE	NUT M5	(4)
<input type="checkbox"/> 48	NM-6050001-SE	NUT M5	(4)
<input type="checkbox"/> 49	B3309-704-000	THREAD GUIDE ARM	(1)
<input type="checkbox"/> 50	B3304-704-000-A	THREAD GUIDE ARM HOLDER	(1)
<input type="checkbox"/> 51	B3311-804-000	LOWER THREAD GUIDE	(1)
<input type="checkbox"/> 52	SS-7110540-SP	SCREW 11/64-40 L=5	(1)
<input type="checkbox"/> 53	SM-6053000-SE	SCREW M5X0.8 L=30	(1)
<input type="checkbox"/> 54	NM-6050001-SE	NUT M5	(1)
<input type="checkbox"/> 55	MAO-1532000	CORD STAPLE	(3)

NOTE #01... FOR 2-NEEDLE
#02... FOR 4-NEEDLE

TOP

19. TABLE COMPONENTS

テーブル関係

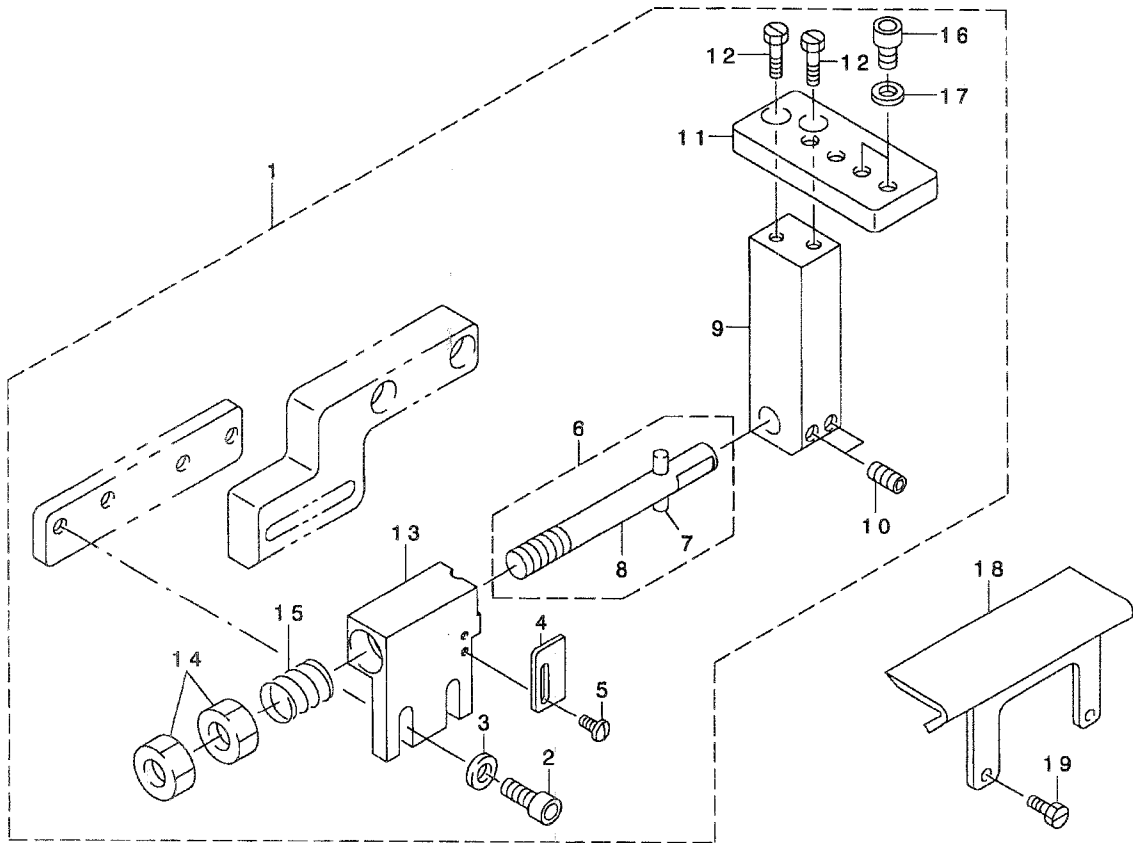


NO	NOTE	PART NO.	DESCRIPTION	Qty.
<input type="checkbox"/> 1		311-38803	TABLE (TOP INSTALLATION)	1
<input type="checkbox"/> 2		311-40403	RUBBER CUSHION	4
<input type="checkbox"/> 3		311-40502	PIN SCREW (M6X1-63)	4
<input type="checkbox"/> 4		311-74501	WASHER	8
<input type="checkbox"/> 5		311-74600	SPRING WASHER	4
<input type="checkbox"/> 6		311-72307	NUT	4
<input type="checkbox"/> 7		311-41203	TABLE	1
<input type="checkbox"/> 8		311-40601	NUT	4
<input type="checkbox"/> 9		311-40700	SCREW (M8X1.25-75)	4
<input type="checkbox"/> 10		311-74808	WASHER	8
<input type="checkbox"/> 11		311-40809	HOLDING PLATE RUBBER CUSHION	4
<input type="checkbox"/> 12		311-40908	HOLDING PLATE RUBBER CUSHION	4
<input type="checkbox"/> 13		311-72406	NUT	8
<input type="checkbox"/> 14		311-41104	HOLDING PLATE	2
<input type="checkbox"/> 15		311-40403	RUBBER CUSHION	4
<input type="checkbox"/> 16		311-41005	PIN SCREW (M6X1-16)	4

TOP

20. SPECIAL ORDER PARTS COMPONENTS

特別注文部品

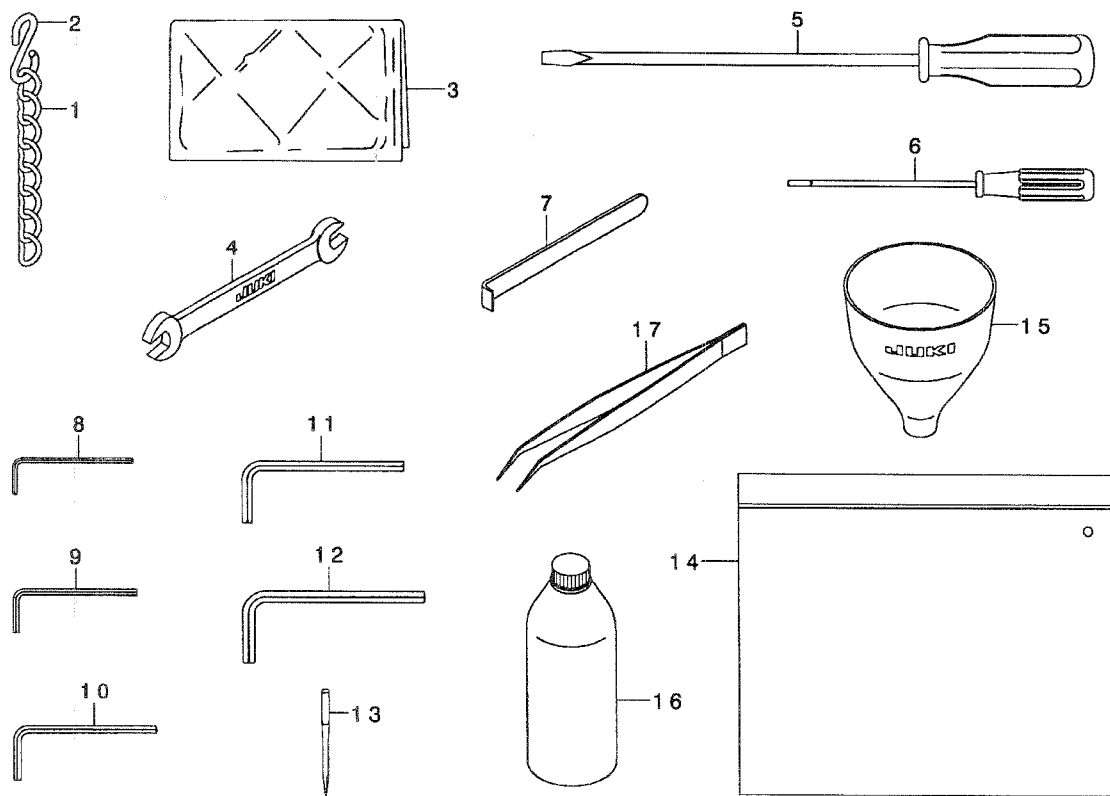


NO	NOTE	PART NO.	DESCRIPTION	Qty.
<input type="checkbox"/> 1		311-41658	RULER FITTING BASE WHOLE ASM.	1
<input type="checkbox"/> 2		311-63306	SCREW (M6X1-15) 62	(2)
<input type="checkbox"/> 3		311-74006	WASHER	(2)
<input type="checkbox"/> 4		311-41807	STOPPER	(1)
<input type="checkbox"/> 5		311-65707	SCREW (M3X0.5-2) 40	(2)
<input type="checkbox"/> 6		311-41955	RULER FITTING BASE SHAFT ASM.	(1)
<input type="checkbox"/> 7		311-77306	SPRING PIN	(1)
<input type="checkbox"/> 8		311-41906	RULER FITTING BASE SHAFT	(1)
<input type="checkbox"/> 9		311-42003	RULER FITTING BASE 5	(1)
<input type="checkbox"/> 10		311-70301	SCREW (M6X1-6) 82	(2)
<input type="checkbox"/> 11		311-41609	RULER FITTING BASE 3	(1)
<input type="checkbox"/> 12		311-63108	SCREW (M5X0.8-10) 62	(2)
<input type="checkbox"/> 13		311-41708	RULER FITTING BASE 4	(1)
<input type="checkbox"/> 14		311-72208	NUT	(2)
<input type="checkbox"/> 15		311-42201	CUTTER LOWER SPRING	(1)
<input type="checkbox"/> 16		311-63702	SCREW (M6X1-10) 62	(2)
<input type="checkbox"/> 17		311-74006	WASHER	(2)
<input type="checkbox"/> 18		311-42102	AUXILIARY COVER	1
<input type="checkbox"/> 19		311-61706	SCREW (M4X0.7-5.4) 60	2

TOP

21. ACCESSORIE PARTS COMPONENTS

付属品関係

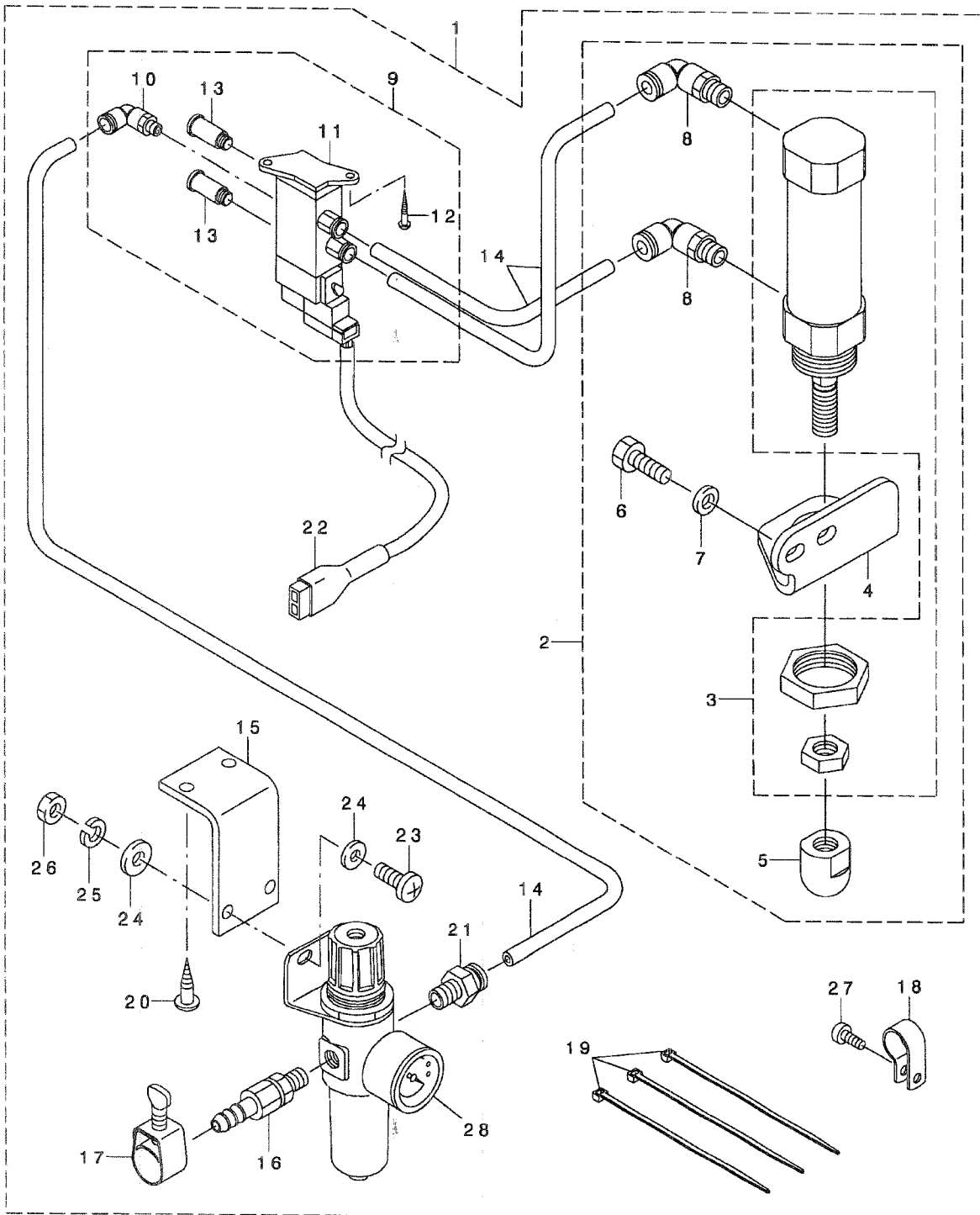


NO	NOTE	PART NO.	DESCRIPTION	Qty.
<input type="checkbox"/> 1		B8103-980-000	CHAIN	1
<input type="checkbox"/> 2		B8133-019-000	S SHAPED HOOK	2
<input type="checkbox"/> 3		B9118-232-000	VINYL COVER	1
<input type="checkbox"/> 4		B9113-012-000	WRENCH (9X10)	1
<input type="checkbox"/> 5		229-33006	SCREW DRIVER,LARGE	1
<input type="checkbox"/> 6		123-47308	SCREW DRIVER (SMALL)	1
<input type="checkbox"/> 7		B9101-490-000	DRIVER	1
<input type="checkbox"/> 8		GCT-02904000	SPANNER	1
<input type="checkbox"/> 9		J1066-000-00D	HEXAGONAL WRENCH KEY	1
<input type="checkbox"/> 10		B9140-372-000	HEXAGONAL WRENCH, SMALL	1
<input type="checkbox"/> 11		GCT-02906000	HEXAGONAL SPANNER	1
<input type="checkbox"/> 12		B9142-372-000	HEXAGONAL WRENCH (7.1X8.1)	1
<input type="checkbox"/> 13		MDV-570B2100	NEEDLE DVX57 #21	10
<input type="checkbox"/> 14		229-32800	ACCESSORIE BAG	1
<input type="checkbox"/> 15		B9107-804-000	FUNNEL	1
<input type="checkbox"/> 16		MDF-RX2001L0	DEFRIX OIL, NO.2 900CC	1
<input type="checkbox"/> 17		122-88403	TWEEZERS	1

TOP

22. PRESSER LIFTER COMPONENTS

押え上げ装置関係

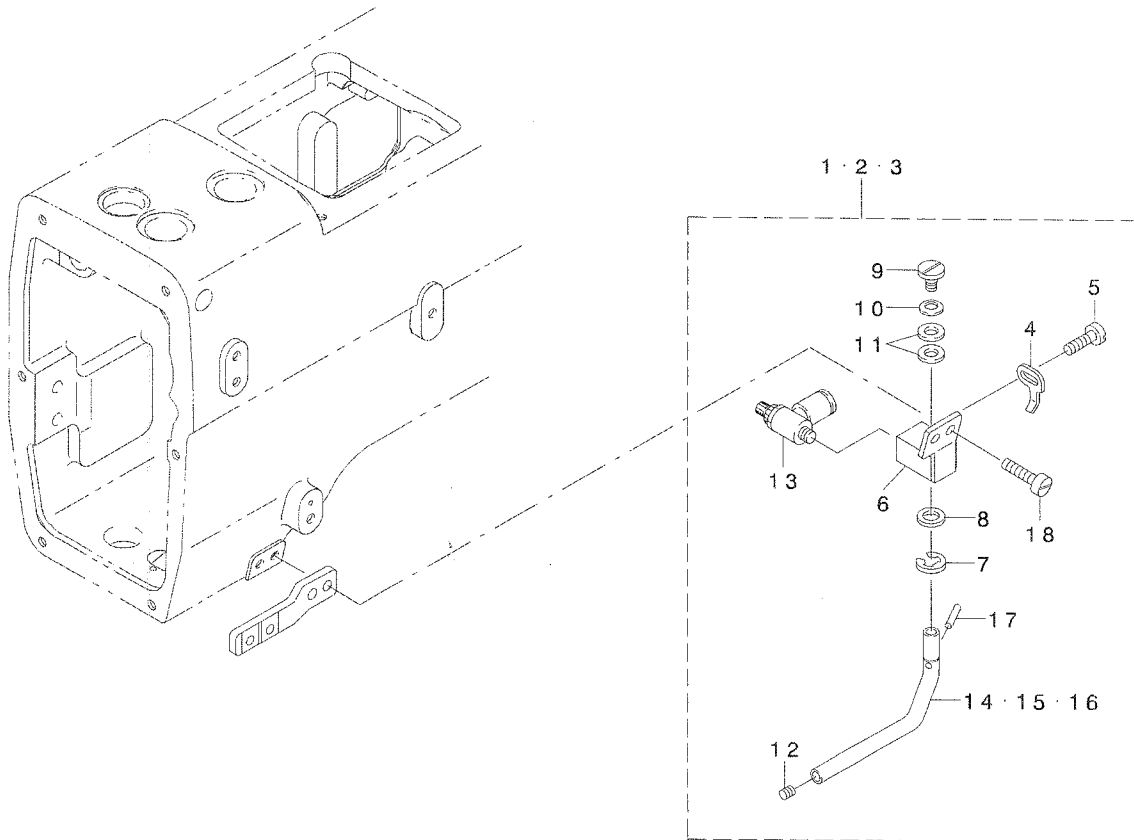


NO	NOTE	PART NO.	DESCRIPTION	Qty.
<input type="checkbox"/> 1		GAK-A22010B0	PRESSER LIFTER	1
<input type="checkbox"/> 2		GAK-A22010A0	PRESSER LIFTING CYLINDER ASM.	(1)
<input type="checkbox"/> 3		GAK-A2201000	PRESSER LIFTING CYLINDER	(1)
<input type="checkbox"/> 4		GAK-A2203000	CYLINDER FITTING BASE	(1)
<input type="checkbox"/> 5		GAK-A2204000	AIR CYLINDER ROD TIP	(1)
<input type="checkbox"/> 6		311-63900	SCREW (M6X15) 82	(2)
<input type="checkbox"/> 7		311-73107	WASHER	(2)
<input type="checkbox"/> 8		GAK-A2202000	JOINT 6-PT1/8	(2)
<input type="checkbox"/> 9		GAK-A22050A0	ELECTROMAGNETIC VALVE ASM.	(1)
<input type="checkbox"/> 10		GAK-A2207000	JOINT	(1)
<input type="checkbox"/> 11		GAK-A2205000	ELECTROMAGNETIC VALVE	(1)
<input type="checkbox"/> 12		GAK-A2223000	SCREW (3.1X16)	(2)
<input type="checkbox"/> 13		GAK-A2206000	SILENCER	(2)
<input type="checkbox"/> 14		GAK-A2213000	NYLONS TUBE	(3)
<input type="checkbox"/> 15		GAK-A2216000	REGULATOR FITTING PLATE	(1)
<input type="checkbox"/> 16		GAK-A2217000	HOSE UNION	(1)
<input type="checkbox"/> 17		GAK-A2218000	HOSE BAND	(1)
<input type="checkbox"/> 18		GAK-A2219000	CORD CLAMP	(1)
<input type="checkbox"/> 19		GAK-A2220000	CABLE BAND	(3)
<input type="checkbox"/> 20		GAK-A2222000	WOOD SCREW (5.1X16)	(2)
<input type="checkbox"/> 21		GAK-A2214000	CONNECTOR	(1)
<input type="checkbox"/> 22		GAK-A22080A0	ELECTROMAGNETIC VALVE CORD	(1)
<input type="checkbox"/> 23		311-68602	SCREW (M5-0.8X16) 41	(2)
<input type="checkbox"/> 24		311-73305	WASHER	(4)
<input type="checkbox"/> 25		311-73503	SPRING WASHER	(2)
<input type="checkbox"/> 26		311-71408	NUT	(2)
<input type="checkbox"/> 27		311-68404	SCREW (M4X0.7-8) 45	(1)
<input type="checkbox"/> 28		GAK-A2215000	REGULATOR	(1)

TOP

23. OPTIONAL COMPONENTS

オプション関係



NO	NOTE	PART NO.	DESCRIPTION	Qty.
<input type="checkbox"/> 1	#01	311-42565	NEEDLE COOLER DEVICE ASM.	1
<input type="checkbox"/> 2	#02	311-43068	NEEDLE COOLER DEVICE ASM.	1
<input type="checkbox"/> 3	#03	311-43167	NEEDLE COOLER DEVICE ASM.	1
<input type="checkbox"/> 4		311-42904	AIR PIPE SET PLATE	(1)
<input type="checkbox"/> 5		311-65608	SCREW (M3X0.5-4.2) 60	(2)
<input type="checkbox"/> 6		311-42755	AIR PIPE BRACKET ASM.	(1)
<input type="checkbox"/> 7		311-75904	E RING	(1)
<input type="checkbox"/> 8		311-75102	WASHER	(1)
<input type="checkbox"/> 9		311-66705	SCREW (M4X0.7-4) D60	(1)
<input type="checkbox"/> 10		311-75003	SPRING WASHER	(1)
<input type="checkbox"/> 11		311-73305	WASHER	(2)
<input type="checkbox"/> 12		311-69600	SCREW (M4X0.7-4) 82	(1)
<input type="checkbox"/> 13		311-82009	SPEER CONTROLLER M5	(1)
<input type="checkbox"/> 14	#01	311-42557	AIR PIPE	(1)
<input type="checkbox"/> 15	#02	311-43050	AIR PIPE	(1)
<input type="checkbox"/> 16	#03	311-43159	AIR PIPE	(1)
<input type="checkbox"/> 17		311-42607	SPRING PIN	(1)
<input type="checkbox"/> 18		311-60906	SCREW (M3X0.5-4.2) 60	(2)

NOTE #01... FOR (MH-1410A)

2-NEEDLE 31.8MM

#02... FOR (MH-1410B, C)

2-NEEDLE 34.9 & 38.1MM

#03... FOR (MH-1410D)

4-NEEDLE 1/4-1-1/4

TOP