

Atto:
Marty

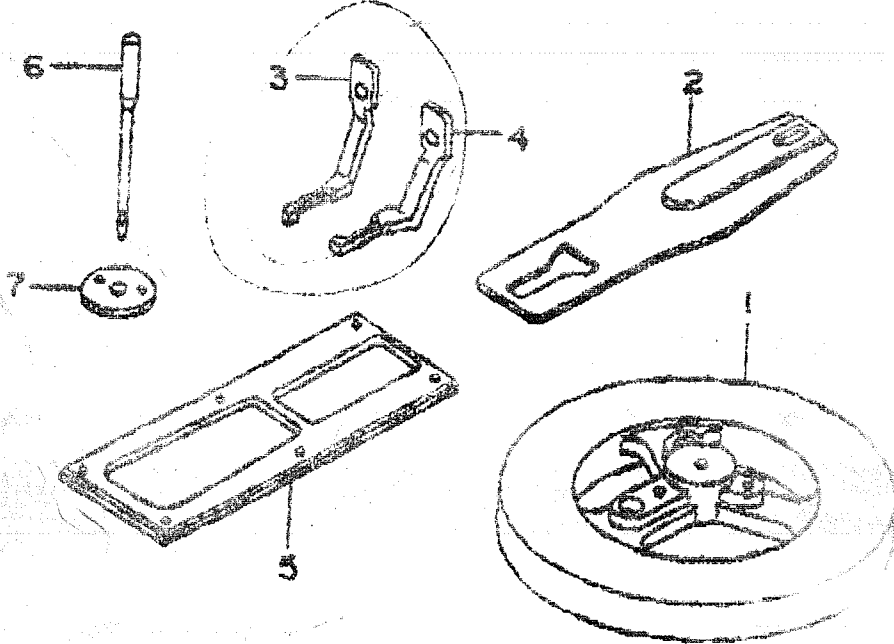
LK-1852-49



P.1
JUKI

PARTS LIST

29031507
No.0578-00



★ *FINGER GUARD : 135-73407*

REF. NO.	NOTE	PART NO.	DESCRIPTION	QTY	UNIT
1		135-72201	FEED CAN		
2		135-72102	FEED PLATE	1/1912/19	
3		135-71908	WORK CLAMP FOOT, RIGHT	1/1912/19	
4		135-72003	WORK CLAMP FOOT, LEFT	1/1912/19	
5		135-82400	FEED PLATE FRAME	1/1912/19	
6		KIP-300R11-00	NEEDLE MP2 5 #1		
7		B2425-282-000	NEEDLE PLATE #2		

Atto

Mike

JUKI

at Mercedes / Sewing