

*Revolutionize Production through
worker creativity by pegasus!*

EX SERIES

EX3200N Series パッカリング防止機能付き安全縫いマシン
Safety stitch machines with
puckering preventive capability

EX5200N Series パッカリング防止機能付きオーバーロックマシン
Overedgers with puckering preventive capability

Specific Parts Catalog

June, 1994
Cat.No.9669



PEGASUS®

パーツカタログの見方

■このパーツカタログは、1994年6月製造中のEX3200N・EX5200Nシリーズミシンの専用部品のみを次の要領で編集しています。

※専用部品以外の部品は、EX3200・EX5200シリーズの特定のサブクラスと同じ部品を使用しています。

下記のサブクラス対照表を参照して、EXシリーズパーツブックも合わせてご覧ください。(Cat. No. 9605 △)

■2~7頁には部品を機構別に収録し、左頁が部品の分解図、右頁がパーツリストになっています。

また、部品の分解図に付されている番号は、パーツリストのREF. NO.(参照番号)を示しています。

■ゲージパーツ表

これらの部品は、特定の形式にのみ使用されている部品です。8~9頁に一括して記載しています。

■10頁以降には部品番号インデックスを記載し、部品番号だけで、その図解、名称などが容易に引き出せます。

■部品を御注文いただくときは、必ず部品番号だけを明示して下さい。

なお、このパーツカタログの記載事項は改良により、予告なく変更されることがありますので、あらかじめご了承ください。

INTRODUCTION

■ This parts book contains only specific parts for the EX3200N・EX5200N Series that were manufactured in June, 1994.

※ Other parts are common in the subclasses between EX3200・EX5200 and EX3200N・EX5200N Series except the above-mentioned specific parts. Therefore refer to the comparison table below and then the EX Series parts book (Cat.No.9605 △) for other parts.

■ The parts classified by each mechanism are shown on pages 2 ~ 7. A page on left shows the breakdown of the parts comprising the mechanism and a page on right the parts list. The numbers given to each illustration are the REF.NOs. on the parts list.

■ Gauge parts list

Gauge parts shown on pages 8~9 are used only for the specific type of machine.

■ A numeric index of the parts is attached to page 10 on and after. The illustration and/or description of the required part can be easily referred to by the part number.

■ Always give the part numbers when ordering parts.

The contents of this parts book are subject to change to without notice.

サブクラス対照表 (Subclass comparison table)

| EX3200N Series | EX3200 Series | EX5200N Series | EX5200 Series |
|---------------------------|------------------------|------------------|---------------|
| (15N) EX3216N-01/222 → | (15) EX3216-01A/222 | EX5204N-01/232 → | EX5204-01/223 |
| (15N) EX3216N-01/232 → | (15) EX3216-01A/222 | EX5214N-01/282 → | EX5214-01/233 |
| | | | |
| | | | |

目次

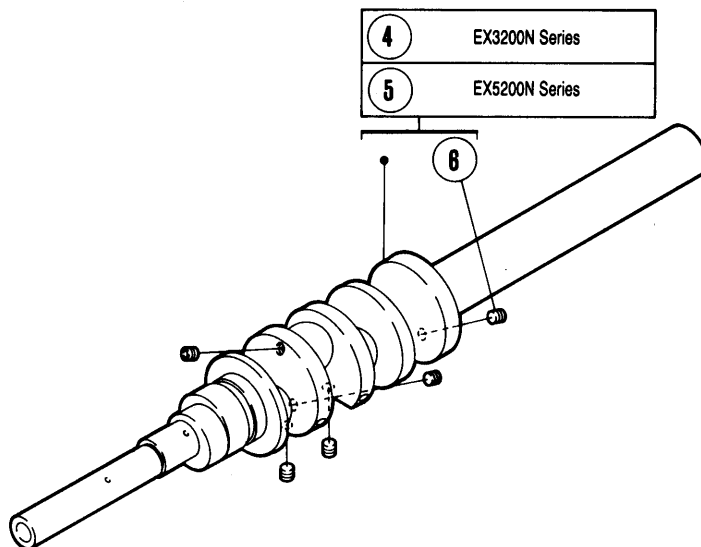
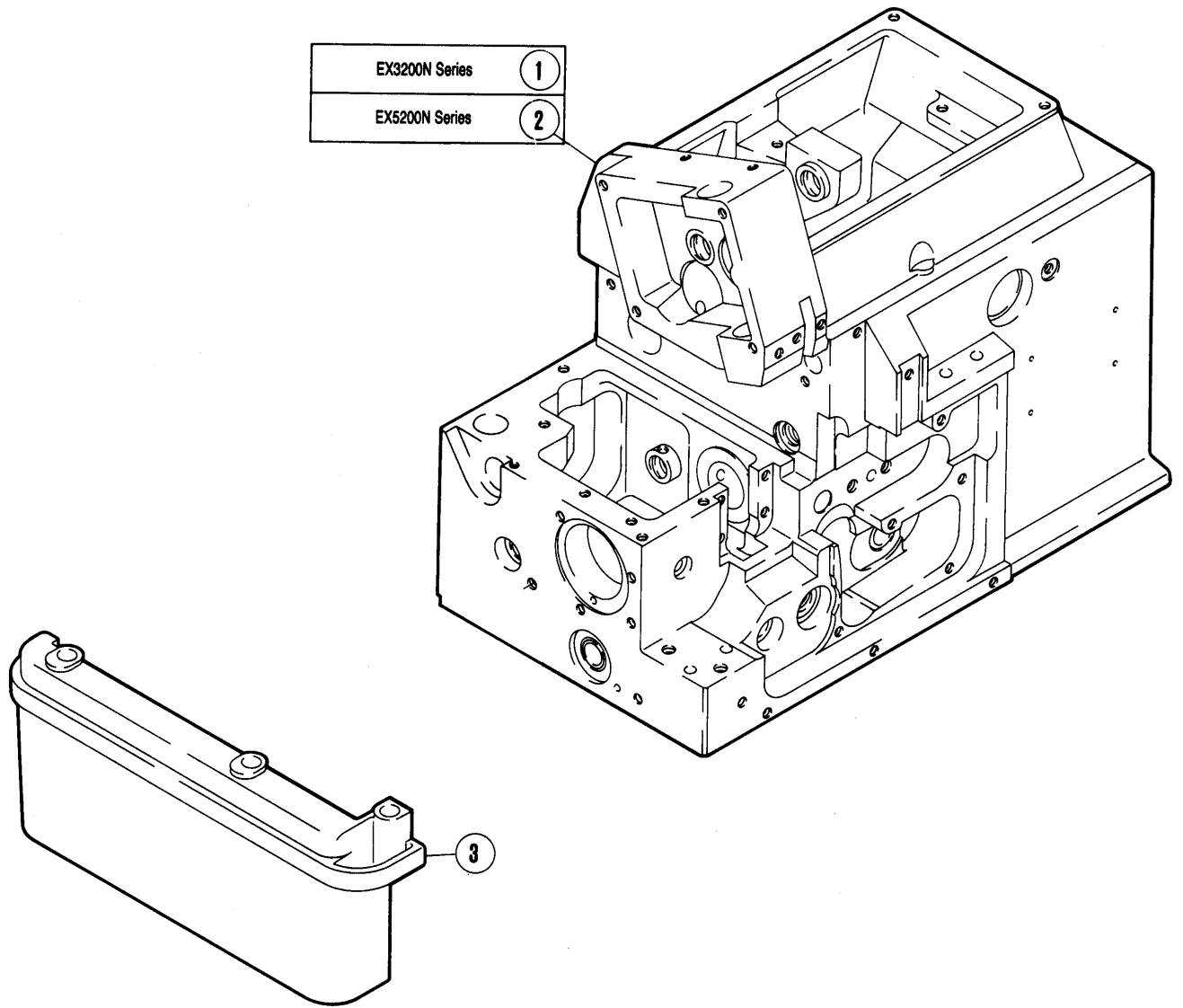
頁

| | |
|--------------------|-----|
| ベッド、カバー、クランクシャフト機構 | 2~3 |
| 送り機構 | 4~5 |
| 押エ機構 | 6~7 |
| ゲージパーツ表 | 8~9 |
| 部品番号インデックス | 10 |

TABLE OF CONTENTS

Page

| | |
|--|-----|
| MACHINE BED FRAME,COVER,CRANKSHAFT DRIVE MECHANISM | 2~3 |
| FEED MECHANISM | 4~5 |
| PRESSER FOOT MECHANISM | 6~7 |
| GAUGE PARTS LIST | 8~9 |
| PART NUMBER INDEX | 10 |



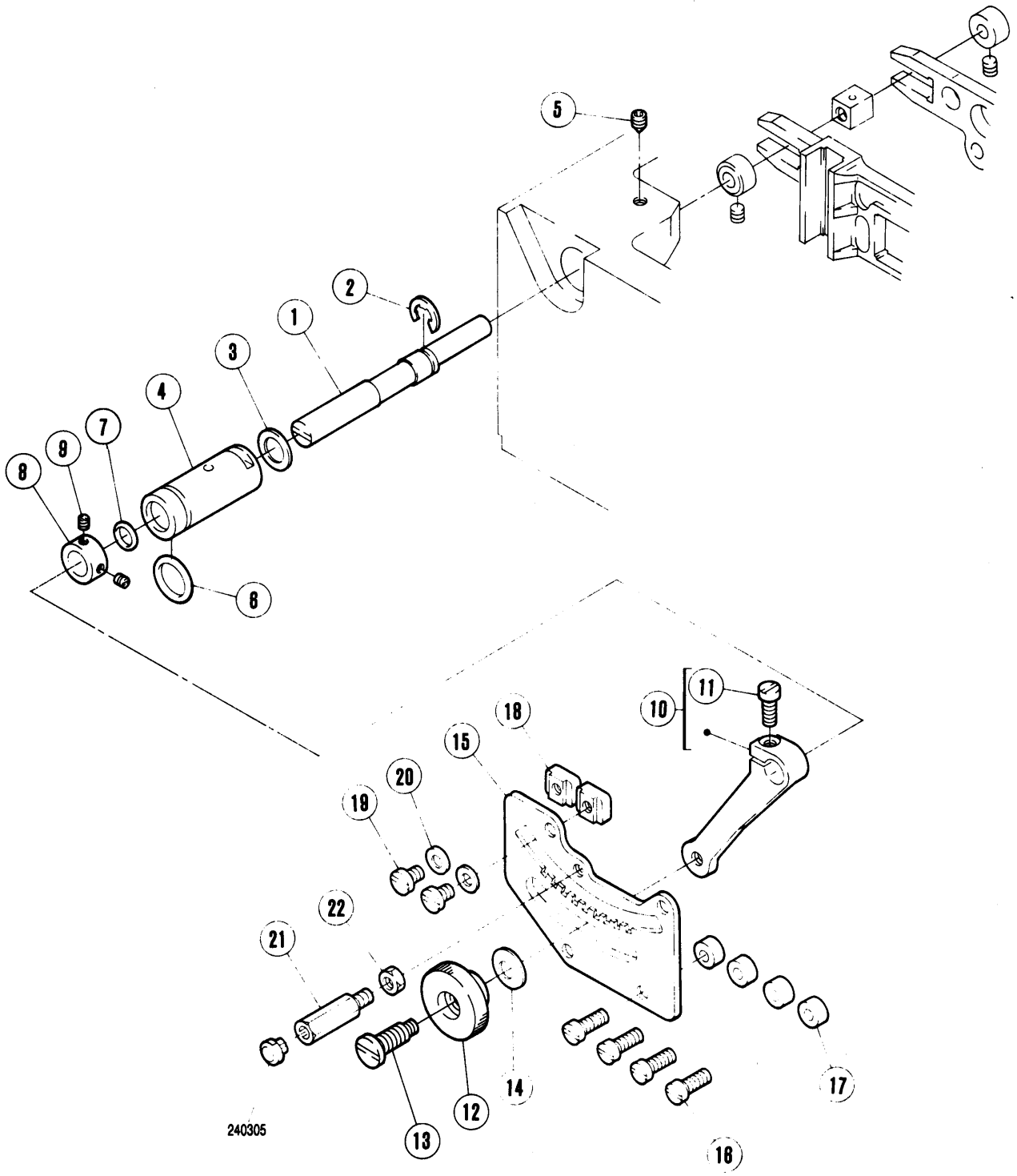
ベッド,カバー
クランクシャフト機構

MACHINE BED FRAME ,COVER
CRANKSHAFT DRIVE MECHANISM

| REF. NO. | PART NO. 部品番号 | 名称 | NAME | QT. |
|----------|------------------|---------|----------------------|-----|
| *1 | 270001D9S | ベッド (組) | MACHINE BED COMPLETE | 01 |
| *2 | 270001C9S | ベッド (組) | MACHINE BED COMPLETE | 01 |
| 3 | 270030DUB | 横カバー | SIDE COVER | 01 |
| 4 | 270500F | クランク軸 | CRANKSHAFT | 01 |
| 5 | 270500E | クランク軸 | CRANKSHAFT | 01 |
| 6 | 007151 | 止ネジ | SCREW | 05 |

●*=販売不可
●XXXXXXはゲージパーツです。
8-9頁のゲージパーツ表で確認してください。

●*= Not for sale basically
●XXXXXX is one of the gauge parts.
Please confirm the correct part by the gauge parts lists on pages 8-9.



240305

送り機構

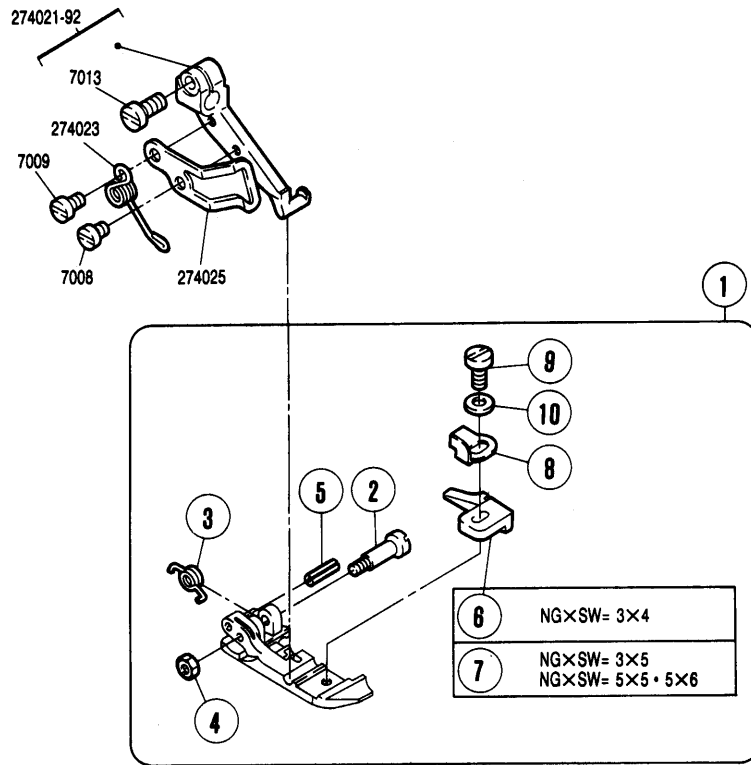
FEED MECHANISM

| REF. NO. | PART NO. 部品番号 | 名称 | NAME | QT. |
|----------|---------------|-----------------|------------------|-----|
| 1 | 272554 | 段付ピン | PIN | 01 |
| 2 | 202522 | 止メ輪 | RING | 01 |
| 3 | 240434 | 座金 | WASHER | 01 |
| 4 | 272553 | ブッシュ | BUSHING | 01 |
| 5 | 004546 | 止ネジ / M4 × 5 | SCREW | 01 |
| 6 | 201022 | Oリング | O RING | 01 |
| 7 | 240017 | Oリング | O RING | 01 |
| 8 | 232508 | カラー | COLLAR | 01 |
| 9 | 001459 | 止ネジ / C4 × 3 | SCREW | 02 |
| 10 | 272555-92 | レバー | LEVER | 01 |
| 11 | 007014 | 平ネジ / M3.5 × 10 | SCREW | 01 |
| 12 | 252069 | ナット | NUT | 01 |
| 13 | 007059 | 段付ネジ / 4.5 | SCREW | 01 |
| 14 | 211301 | 皿バネ | SPRING | 01 |
| 15 | 272556 | 調節板 | REGULATING PLATE | 01 |
| 16 | 007021 | 平小ネジ / M4 × 12 | SCREW | 04 |
| 17 | 240321 | スペーサー | SPACER | 04 |
| 18 | 252658 | ストッパー | STOPPER | 02 |
| 19 | 007018 | 平ネジ / M4 × 6 | SCREW | 02 |
| 20 | 303448 | 座金 | WASHER | 02 |
| 21 | 270076B | ホルダー | HOLDER | 01 |
| 22 | 004821 | 六角ナット / M4 | NUT | 01 |

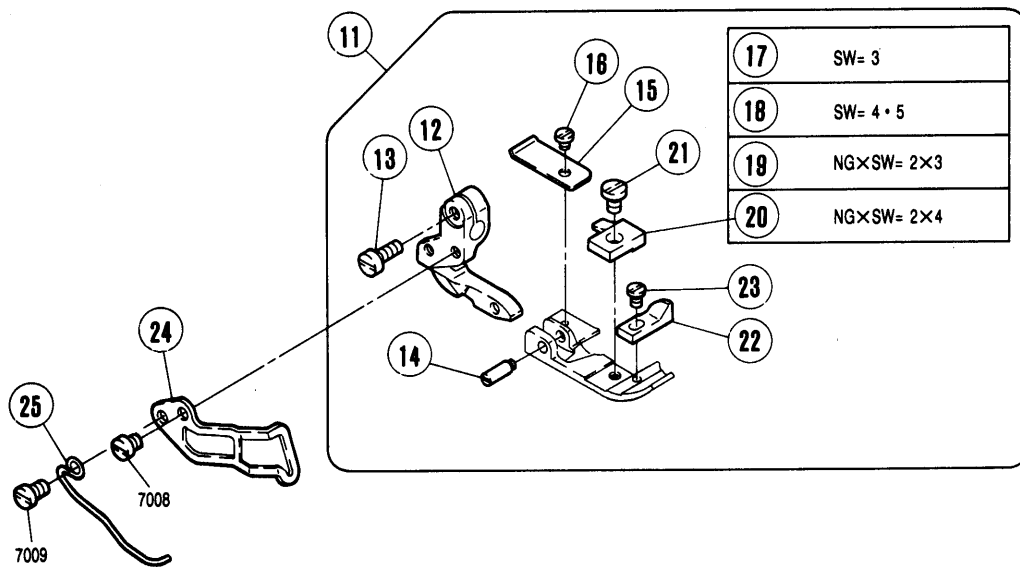
●*ニ販売不可
 ●XXXXXXはゲージパーツです。
 8-9頁のゲージパーツ表で確認してください。

●*ニ Not for sale basically
 ●XXXXXX is one of the gauge parts.
 Please confirm the correct part by the gauge parts lists on pages 8-9.

EX3215N•EX3216N-01



EX5204N•EX5214N-01



押エ機構

PRESSER FOOT MECHANISM

| REF. NO. | PART NO. 部品番号 | 名称 | NAME | QT. |
|----------|---------------|-----------------|---------------------|-----|
| 1 | XXXXXX | 押エ | PRESSER FOOT | 01 |
| 2 | 211919 | 段付ピン | PIN | 01 |
| 3 | 211918 | ネジリバネ | SPRING | 01 |
| 4 | 003150 | 六角ナット / C1 | NUT | 01 |
| 5 | 211920 | スプリングピン | PIN | 01 |
| 6 | 211915A | 押エ爪 | PRESSER FOOT FINGER | 01 |
| 7 | 211916A | 押エ爪 | PRESSER FOOT FINGER | 01 |
| 8 | 211917 | 取付板 | BRACKET | 01 |
| 9 | 005089 | 平ネジ | SCREW | 01 |
| 10 | 300248 | 座金 | WASHER | 01 |
| 11 | XXXXXX | 押エ | PRESSER FOOT | 01 |
| *12 | 277136 | ホルダー | HOLDER | 01 |
| 13 | 007013 | 平小ネジ / M3.5 × 8 | SCREW | 01 |
| 14 | 212059-B | ヒンジピン | PIN | 01 |
| 15 | 212668 | 補助板 | AUXILIARY PLATE | 01 |
| 16 | 005030 | 平ネジ / C1 × 2.3 | SCREW | 01 |
| 17 | 210370 | 押エ爪 | PRESSER FOOT FINGER | 01 |
| 18 | 210371 | 押エ爪 | PRESSER FOOT FINGER | 01 |
| 19 | 201396B | 押エ爪 | PRESSER FOOT FINGER | 01 |
| 20 | 201310A | 押エ爪 | PRESSER FOOT FINGER | 01 |
| 21 | 001229 | 平ネジ / C3 × 4.5 | SCREW | 01 |
| 22 | 211557 | 補助押エ | FABRIC GUARD | 01 |
| 23 | 001231 | 平ネジ / C1 × 3.4 | SCREW | 01 |
| 24 | 274064 | フィンガーガード | FINGER GUARD | 01 |
| 25 | 274063 | ネジリバネ | SPRING | 01 |

●*＝販売不可

●XXXXXXはゲージパーツです。

168-181頁のゲージパーツ表で確認してください。

●*＝ Not for sale basically

●XXXXXX is one of the gauge parts.

Please confirm the correct part by the gauge parts lists on pages8-9.

| 形式 MACHINE TYPE /SPEC. | ゲージ | | 針板 NEEDLE PLATE | 主送り歯(組) | | 主送り歯本体 MAIN FEED DOG | 補助送り歯 AUX. FEED DOG | 差動送り歯 DIFF. FEED DOG | 押エ(組) PRESSER FOOT ASS. | 上ルーバー UPPER LOOPER | 上スプレッター UPPER SPREADER | 下ルーバー LOWER LOOPER | 二重繰ルーバー CHAINSTITCH LOOPER |
|------------------------------|-----|----|-----------------------|-----------------------|-------------|----------------------------|---------------------------|----------------------------|-------------------------------|--------------------------|------------------------------|--------------------------|----------------------------------|
| | NG | SW | | MAIN FEED DOG ASS. | 277376-13 | | | | | | | | |
| (15) EX3216N-01/222 | 3 | 4 | 277583P40 | 277376-13 | (277377-13) | 277325-13 | 211909B 211910B | 277010 #2 | 277014A #8 | 277015 | 277018 | | |
| | | 5 | | | | | | | | | | | |
| | 3 | 4 | 277581P40 | | | 277330-13 | 277188 277187 | 277010 #2 | 277014A #8 | 277015 | 277018 | | |
| (15) EX3216N-01/232 | 5 | 5 | 277582P50 | 277374-13 | (277375-13) | 277329-13 | 277188 | 277010 #2 | 277014A #8 | 277015 | 277018 | | |
| | | 6 | | | | | | | | | | | |
| | 5 | 6 | " 80 | | | | | | | | | | |

| 形式 MACHINE TYPE /SPEC. | ゲージ | | 上メス | | 下メス | オーバー針受 | | 二重繰針受 | | 針留 | 針留糸道 THREAD GUIDE (NDL HOLDER) | 針 NEEDLE |
|------------------------------|-----|----|----------------------|------------------------|--------|------------|-----------|------------|-----------|-----------|---|-----------------|
| | NG | SW | 平メス FLAT KNIFE | 角メス ANGLED KNIFE | | 前 FRONT | 後 REAR | 前 FRONT | 後 REAR | | | |
| (15) EX3216N-01/222 | 3 | 4 | 202527A | — | 202285 | 277007 | 277004 | 277008 | 277006 | 277027-92 | 275030 | DC X 27 # 11 |
| | | 5 | | | | | | | | | | |
| | 3 | 4 | | | | | | | | 277027-92 | 275030 | DC X 27 # 11 |
| (15) EX3216N-01/232 | 5 | 5 | 202527A | — | 202285 | 277007 | 277004 | 277008 | 277006 | 277027-92 | 275030 | DC X 27 # 11 |
| | | 6 | | | | | | | | | | |
| | 5 | 6 | | | | | | | | 277028-92 | 275030 | DC X 27 # 11 |

| 形式 MACHINE TYPE /SPEC. | ゲージ GAUGE | | 針板 NEEDLE PLATE | 主送り歯(組) MAIN FEED DOG ASS. | | 主送り歯本体 MAIN FEED DOG | 補助送り歯 AUX. FEED DOG | 差動送り歯 DIFF. FEED DOG | 押エ(組) PRESSER FOOT ASS. | | 上ルーバー UPPER LOOPER | 下ルーバー LOWER LOOPER |
|------------------------------|--------------|----|-----------------------|----------------------------------|--------------|----------------------------|---------------------------|----------------------------|-------------------------------|------------|--------------------------|--------------------------|
| | NG | SW | | 277372-16F | 277304B16F | | | | 277214 | 277215 | | |
| EX5204N-01/232(K) | - | 3 | 277559P30 | 277372-16F | (277304B16F) | (277318B13) | 277305-16F | 277214 | 277215 | 277010 #2 | 277015 | |
| | | 4 | " 40 | | | | | | | | | |
| | | 5 | " 50 | | | | | | | | | |
| EX5214N-01/282(K) | 2 | 3 | 277580P30 | 277372-16F | (277304B16F) | (277318B13) | 277373-16F | 277216 | 277217 | 277010B #6 | 277015 | |
| | | 4 | " 40 | | | | | | | | | |

| 形式 MACHINE TYPE /SPEC. | ゲージ GAUGE | | 上メス UPPER KNIFE | | 下メス LOWER KNIFE | 針受 NEEDLE GUARD | | 針留 NEEDLE HOLDER | 針留糸道 THREAD GUIDE (NDL HOLDER) | 針 NEEDLE |
|------------------------------|--------------|----|----------------------|------------------------|--------------------|--------------------|-----------|------------------------|---|----------------|
| | NG | SW | 平メス FLAT KNIFE | 角メス ANGLED KNIFE | | 前 FRONT | 後 REAR | | | |
| EX5204N-01/232(K) | - | 3 | 201121A | 210755 | 201127 | 277005 | 277004 | 179630-92 | 275019A | DC X 27 # 9 |
| | | 4 | | | 202295 | | | | | |
| | | 5 | | | | | | | | |
| EX5214N-01/282(K) | 2 | 3 | 201121A | 210755 | 201127 | 277005 | 277004 | 277022-92 | 275019B | DC X 27 # 9 |
| | | 4 | | | 202295 | | | | | |

INDEX

| PART NO. | PAGE | NO. REF. | PART NO. | PAGE | NO. REF. | PART NO. | PAGE | NO. REF. | PART NO. | PAGE | NO. REF. | PART NO. | PAGE | NO. REF. |
|------------|------|----------|-----------|------|----------|----------|------|----------|----------|------|----------|----------|------|----------|
| 1229 | 7 | 21 | 277375-13 | 8 | 10 | | | | | | | | | |
| 1231 | 7 | 23 | 277376-13 | 8 | 7 | | | | | | | | | |
| 1459 | 5 | 9 | 277377-13 | 8 | 9 | | | | | | | | | |
| 3150 | 7 | 4 | 277559P30 | 9 | 1 | | | | | | | | | |
| 4546 | 5 | 5 | 277559P40 | 9 | 2 | | | | | | | | | |
| 4821 | 5 | 22 | 277559P50 | 9 | 3 | | | | | | | | | |
| 5030 | 7 | 16 | 277560P30 | 9 | 4 | | | | | | | | | |
| 5089 | 7 | 9 | 277560P40 | 9 | 5 | | | | | | | | | |
| 7013 | 7 | 13 | 277561P40 | 8 | 3 | | | | | | | | | |
| 7014 | 5 | 11 | 277561P50 | 8 | 4 | | | | | | | | | |
| 7018 | 5 | 19 | 277562P50 | 8 | 5 | | | | | | | | | |
| 7021 | 5 | 16 | 277562P80 | 8 | 6 | | | | | | | | | |
| 7059 | 5 | 13 | 277563P40 | 8 | 1 | | | | | | | | | |
| 7151 | 3 | 6 | 277563P50 | 8 | 2 | | | | | | | | | |
| 179630-92 | 9 | 20 | 300248 | 7 | 10 | | | | | | | | | |
| 201022 | 5 | 6 | 303448 | 5 | 20 | | | | | | | | | |
| 201121A | 9 | 15 | | | | | | | | | | | | |
| 201127 | 9 | 17 | | | | | | | | | | | | |
| 201310A | 7 | 20 | | | | | | | | | | | | |
| 201396B | 7 | 19 | | | | | | | | | | | | |
| 202295 | 8 | 25 | | | | | | | | | | | | |
| 202522 | 5 | 2 | | | | | | | | | | | | |
| 202527A | 8 | 24 | | | | | | | | | | | | |
| 210370 | 7 | 17 | | | | | | | | | | | | |
| 210371 | 7 | 18 | | | | | | | | | | | | |
| 210755 | 9 | 16 | | | | | | | | | | | | |
| 211301 | 5 | 14 | | | | | | | | | | | | |
| 211557 | 7 | 22 | | | | | | | | | | | | |
| 211909B | 8 | 15 | | | | | | | | | | | | |
| 211910B | 8 | 16 | | | | | | | | | | | | |
| 211915A | 7 | 6 | | | | | | | | | | | | |
| 211918A | 7 | 7 | | | | | | | | | | | | |
| 211917 | 7 | 8 | | | | | | | | | | | | |
| 211918 | 7 | 3 | | | | | | | | | | | | |
| 211919 | 7 | 2 | | | | | | | | | | | | |
| 211920 | 7 | 5 | | | | | | | | | | | | |
| 212059-B | 7 | 14 | | | | | | | | | | | | |
| 212668 | 7 | 15 | | | | | | | | | | | | |
| 232508 | 5 | 8 | | | | | | | | | | | | |
| 240017 | 5 | 7 | | | | | | | | | | | | |
| 240321 | 5 | 17 | | | | | | | | | | | | |
| 240434 | 5 | 3 | | | | | | | | | | | | |
| 252069 | 5 | 12 | | | | | | | | | | | | |
| 252658 | 5 | 18 | | | | | | | | | | | | |
| 270001C9S | 3 | 2 | | | | | | | | | | | | |
| 270001D9S | 3 | 1 | | | | | | | | | | | | |
| 270030DUB | 3 | 3 | | | | | | | | | | | | |
| 270076B | 5 | 21 | | | | | | | | | | | | |
| 270500E | 3 | 5 | | | | | | | | | | | | |
| 270500F | 3 | 4 | | | | | | | | | | | | |
| 272553 | 5 | 4 | | | | | | | | | | | | |
| 272554 | 5 | 1 | | | | | | | | | | | | |
| 272555-92 | 5 | 10 | | | | | | | | | | | | |
| 272556 | 5 | 15 | | | | | | | | | | | | |
| 274063 | 7 | 25 | | | | | | | | | | | | |
| 274064 | 7 | 24 | | | | | | | | | | | | |
| 275019A | 9 | 22 | | | | | | | | | | | | |
| 275019B | 9 | 23 | | | | | | | | | | | | |
| 275030 | 8 | 32 | | | | | | | | | | | | |
| 277004 | 8 | 27 | | | | | | | | | | | | |
| 277004 | 9 | 19 | | | | | | | | | | | | |
| 277005 | 9 | 18 | | | | | | | | | | | | |
| 277006 | 8 | 29 | | | | | | | | | | | | |
| 277007 | 8 | 26 | | | | | | | | | | | | |
| 277008 | 8 | 28 | | | | | | | | | | | | |
| 277010#2 | 8 | 20 | | | | | | | | | | | | |
| 277010B#6 | 9 | 14 | | | | | | | | | | | | |
| 277014A#8 | 8 | 21 | | | | | | | | | | | | |
| 277015 | 8 | 22 | | | | | | | | | | | | |
| 277018 | 8 | 23 | | | | | | | | | | | | |
| 277022-92 | 9 | 21 | | | | | | | | | | | | |
| 277027-92 | 8 | 30 | | | | | | | | | | | | |
| 277028-92 | 8 | 31 | | | | | | | | | | | | |
| 277186 | 7 | 12 | | | | | | | | | | | | |
| 277186 | 8 | 17 | | | | | | | | | | | | |
| 277187 | 8 | 18 | | | | | | | | | | | | |
| 277188 | 8 | 19 | | | | | | | | | | | | |
| 277214 | 9 | 10 | | | | | | | | | | | | |
| 277215 | 9 | 11 | | | | | | | | | | | | |
| 277216 | 9 | 12 | | | | | | | | | | | | |
| 277217 | 9 | 13 | | | | | | | | | | | | |
| 277304B16F | 9 | 7 | | | | | | | | | | | | |
| 277305-16F | 9 | 8 | | | | | | | | | | | | |
| 277318B13 | 8 | 11 | | | | | | | | | | | | |
| 277325-13 | 8 | 12 | | | | | | | | | | | | |
| 277329-13 | 8 | 14 | | | | | | | | | | | | |
| 277330-13 | 8 | 13 | | | | | | | | | | | | |
| 277372-16F | 9 | 6 | | | | | | | | | | | | |
| 277373-16F | 9 | 9 | | | | | | | | | | | | |
| 277374-13 | 8 | 8 | | | | | | | | | | | | |

■ PEGASUS
SEWING MACHINE MFG.
CO., LTD.®



Cat. No.9669 June, 1994

©1994 PEGASUS SEWING MACHINE MFG. CO., LTD.

First edition ; issued in June 1994

初 版(1994年6月発行)