

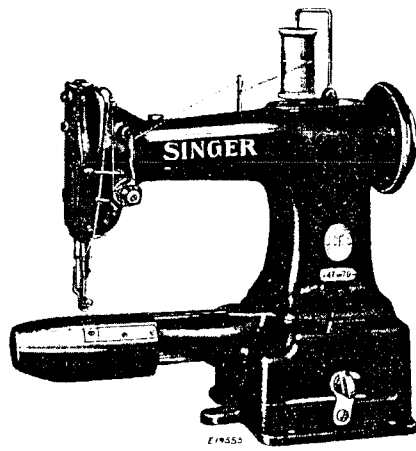
SINGER
47W70

SINGER*

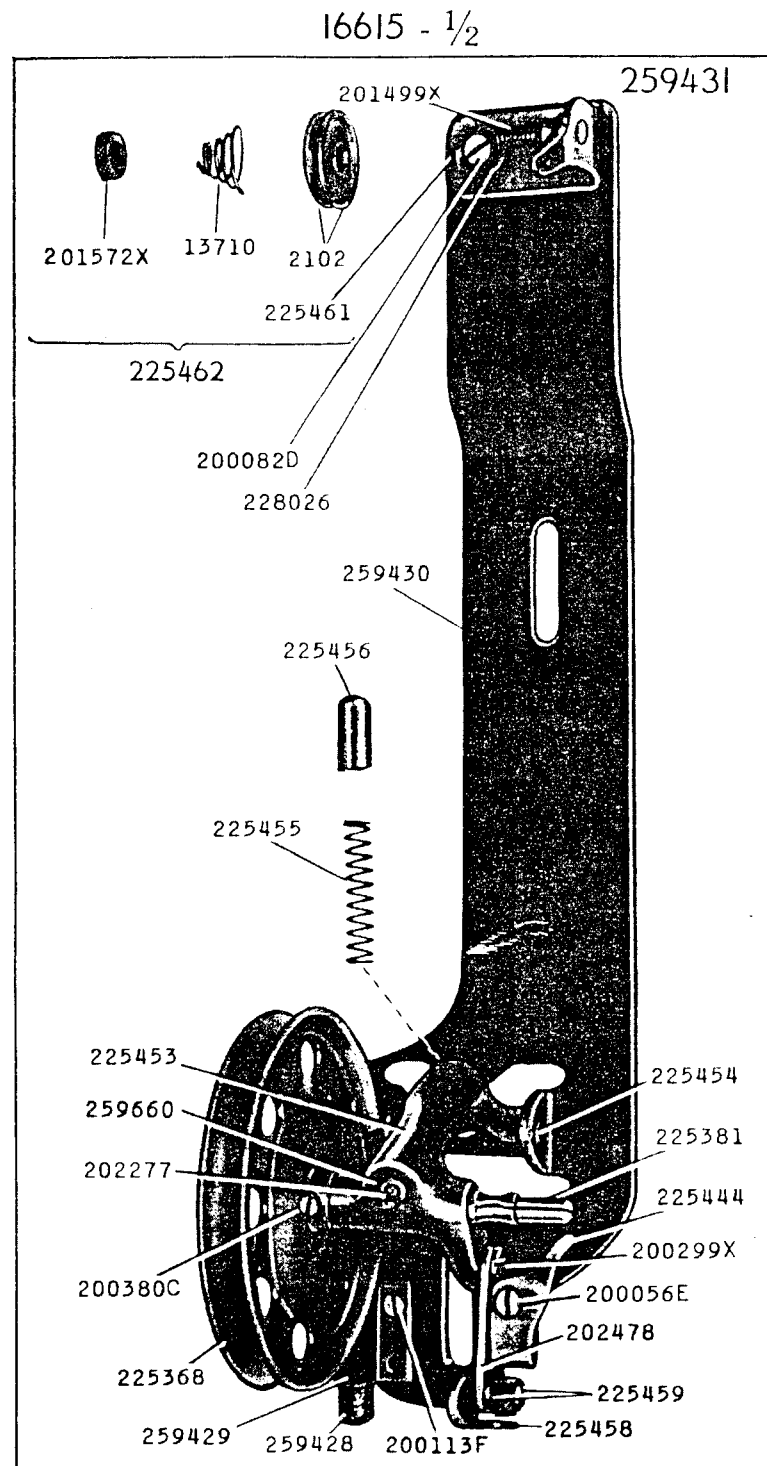
47w70

Property of
THE SINGER COMPANY
Industrial Products Division
Marketing Services (Advertising)
561 Broadway, N. Y. C. 10012

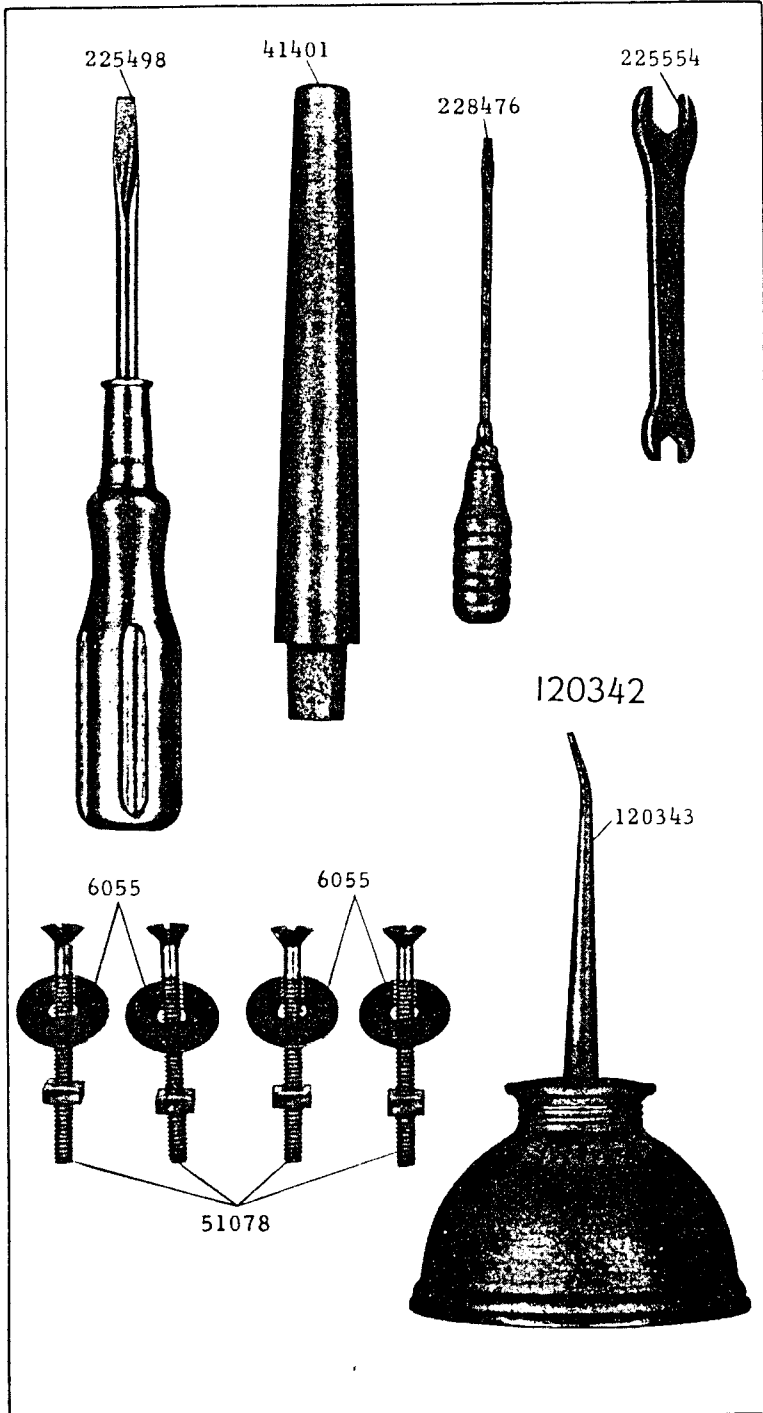
THE SINGER COMPANY



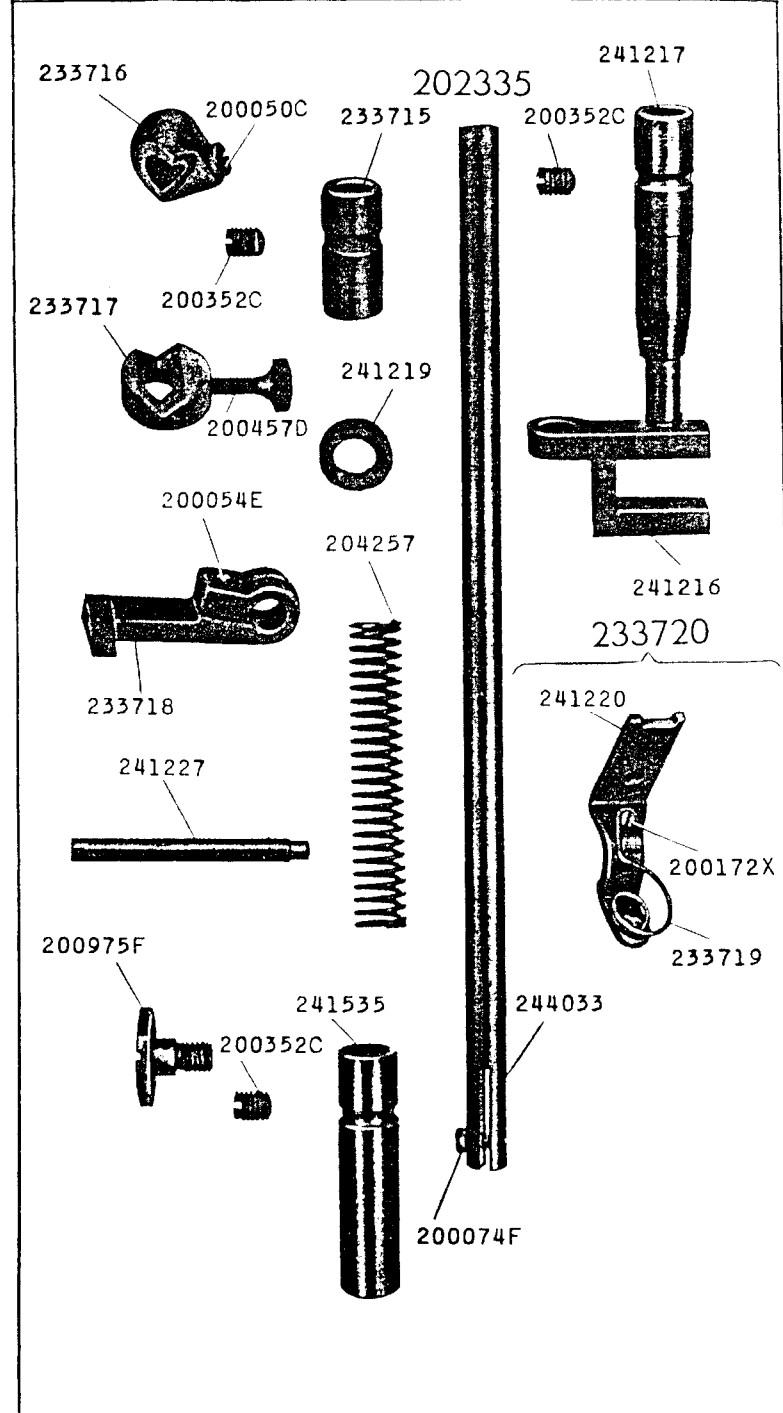
Copyright © 1956 by The Singer Company



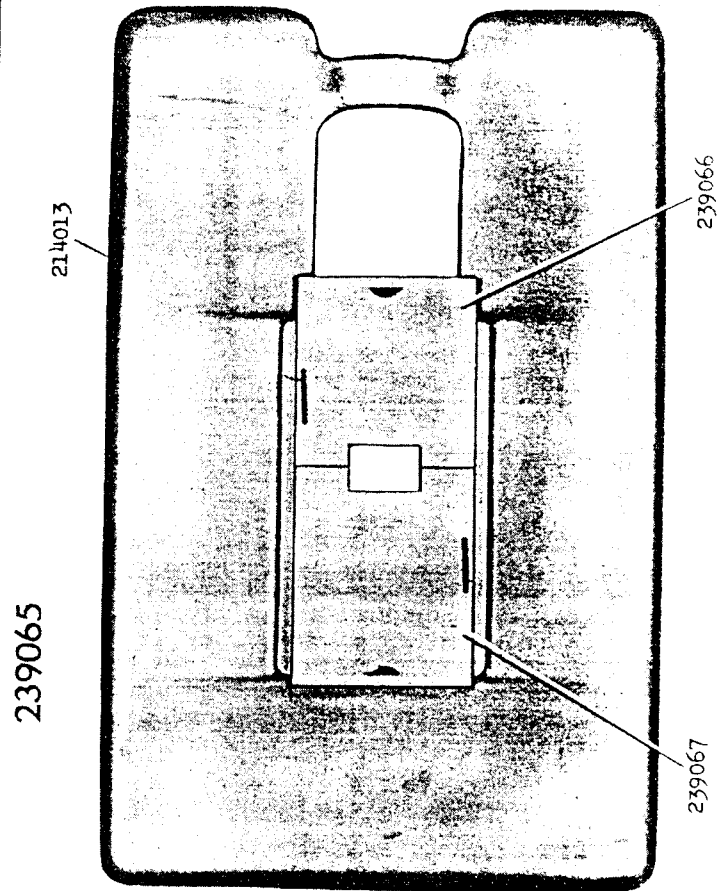
16783 - 1/2



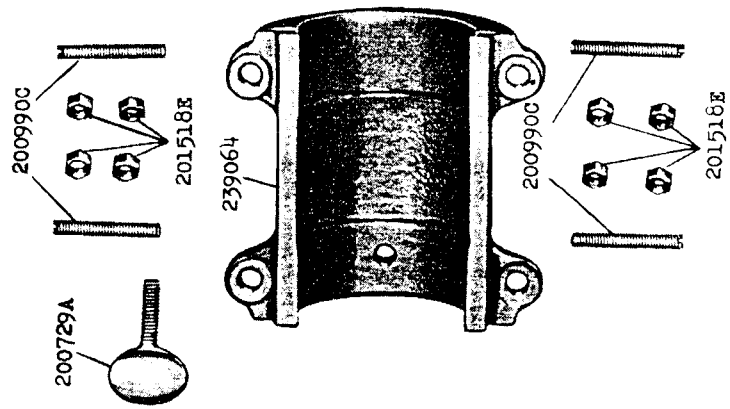
17026 5/8



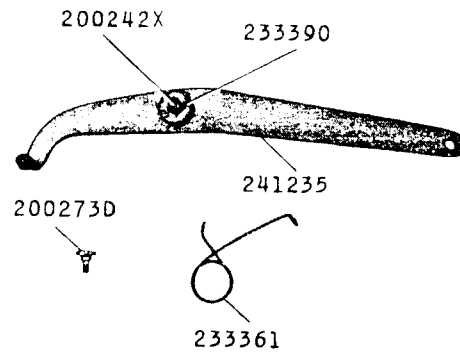
17028 - 3/8



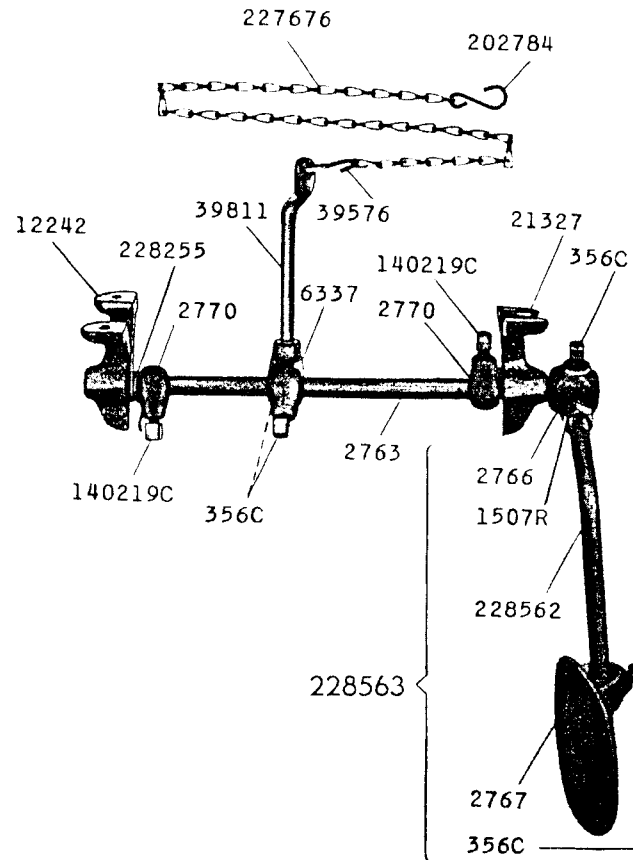
239065



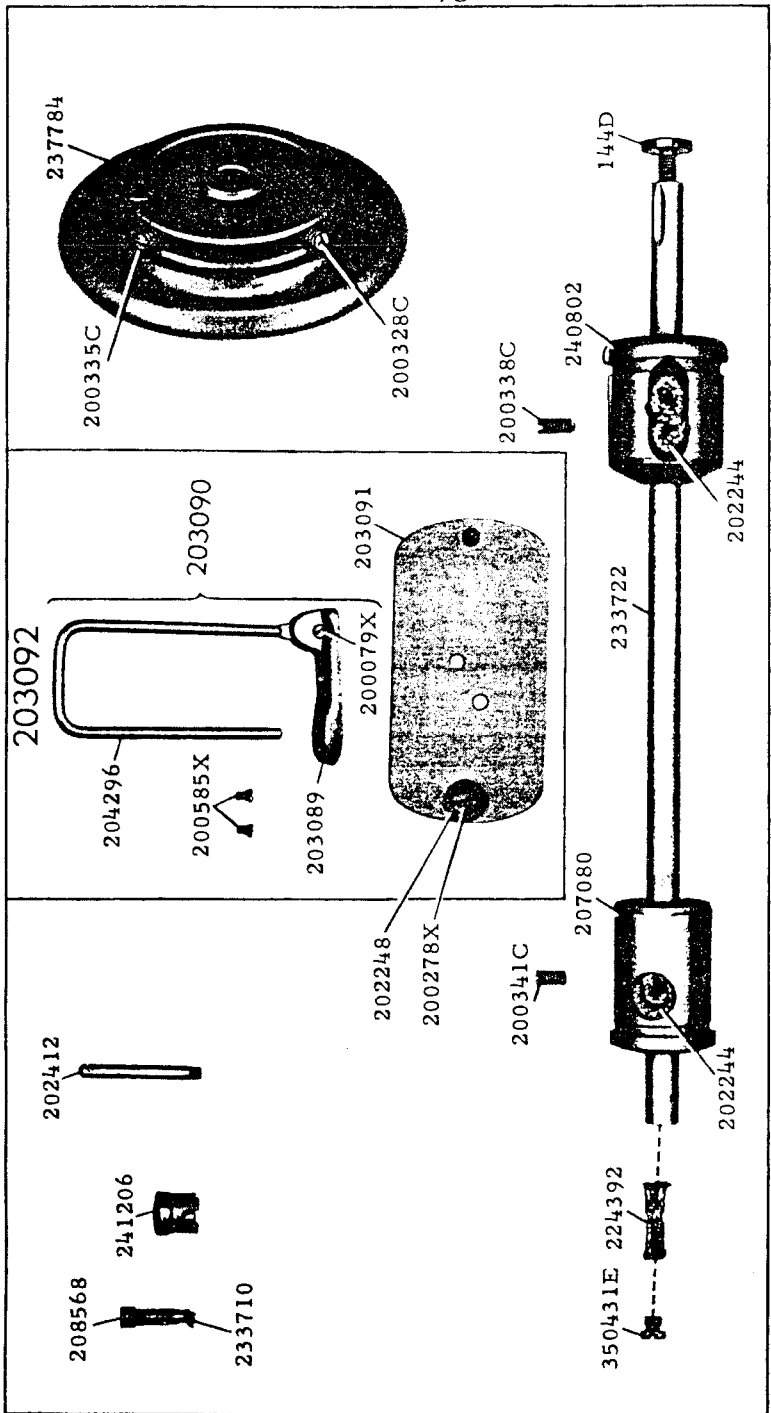
17029 1/4



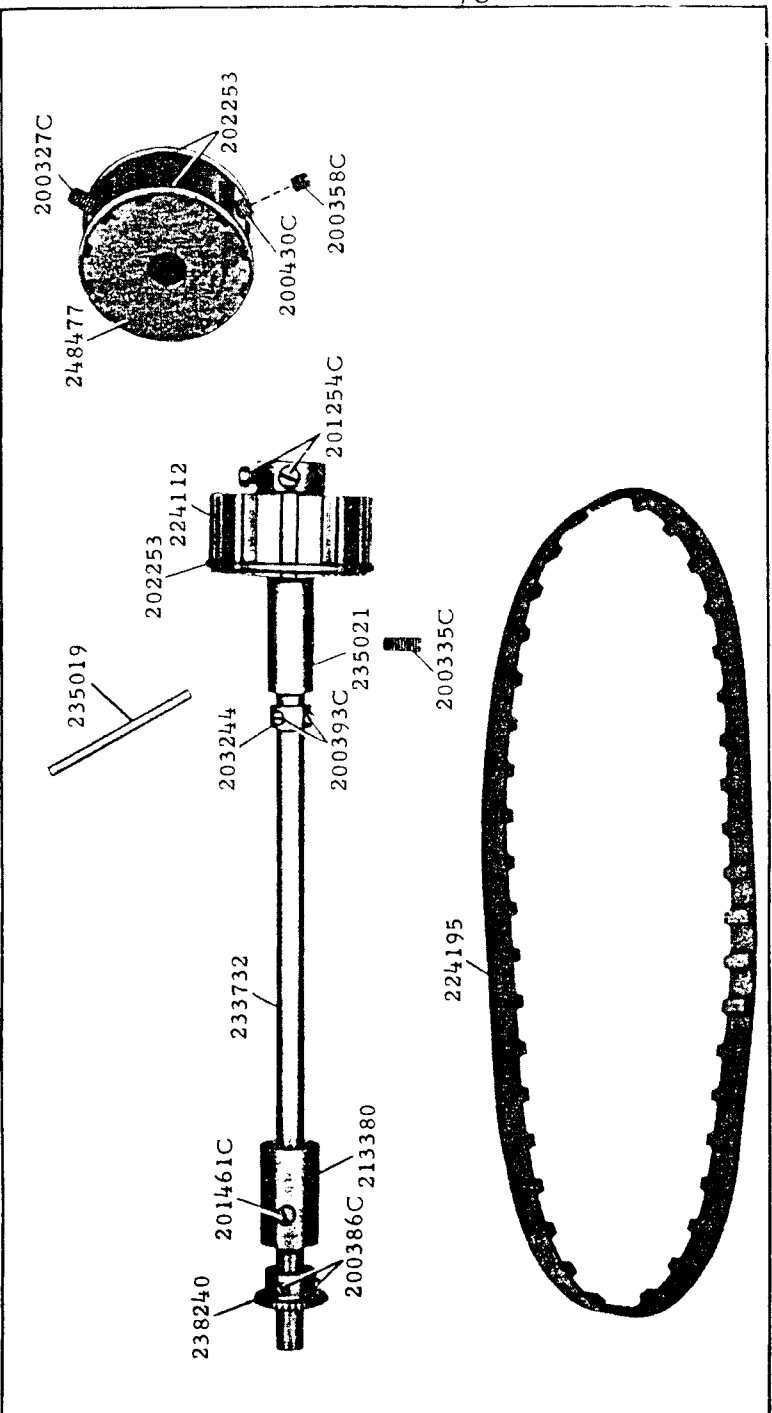
228251

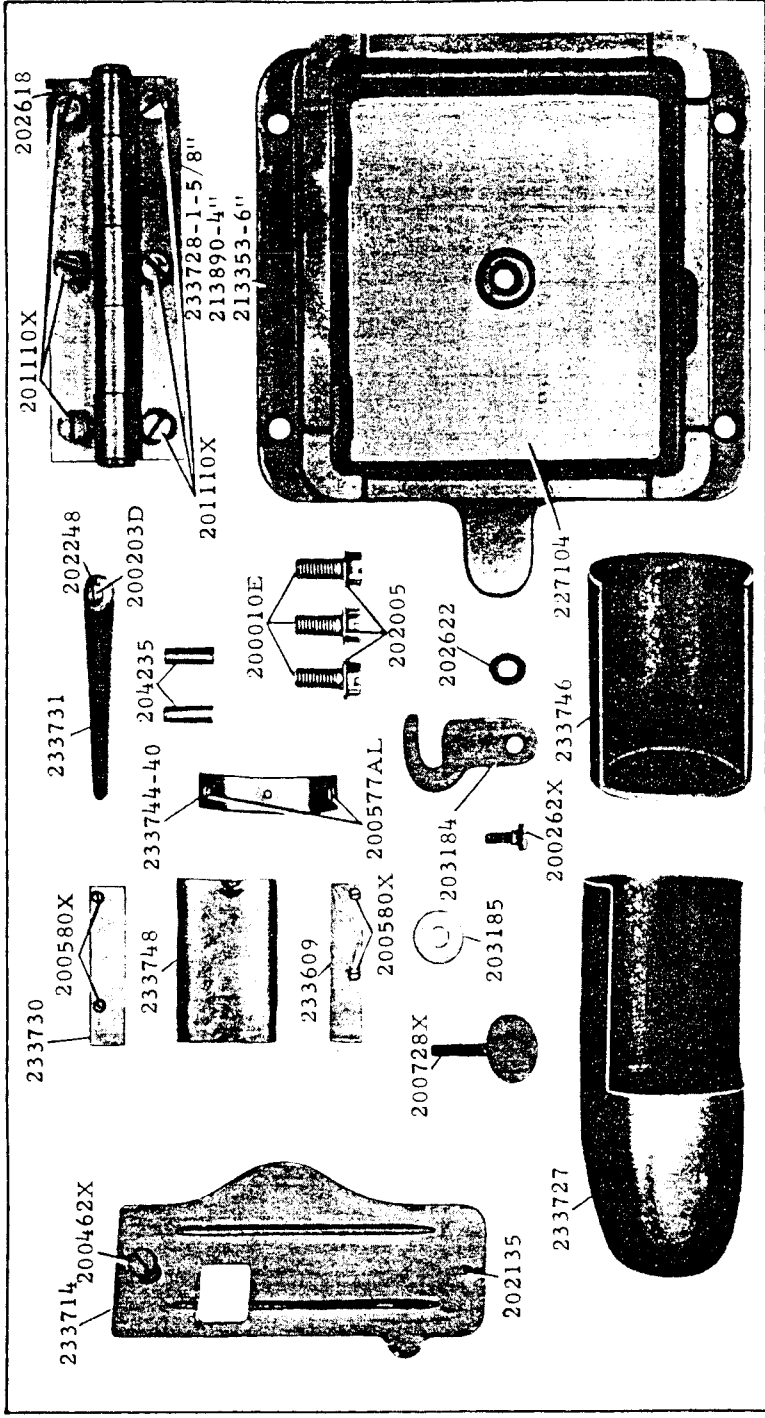


17069 - 3/8

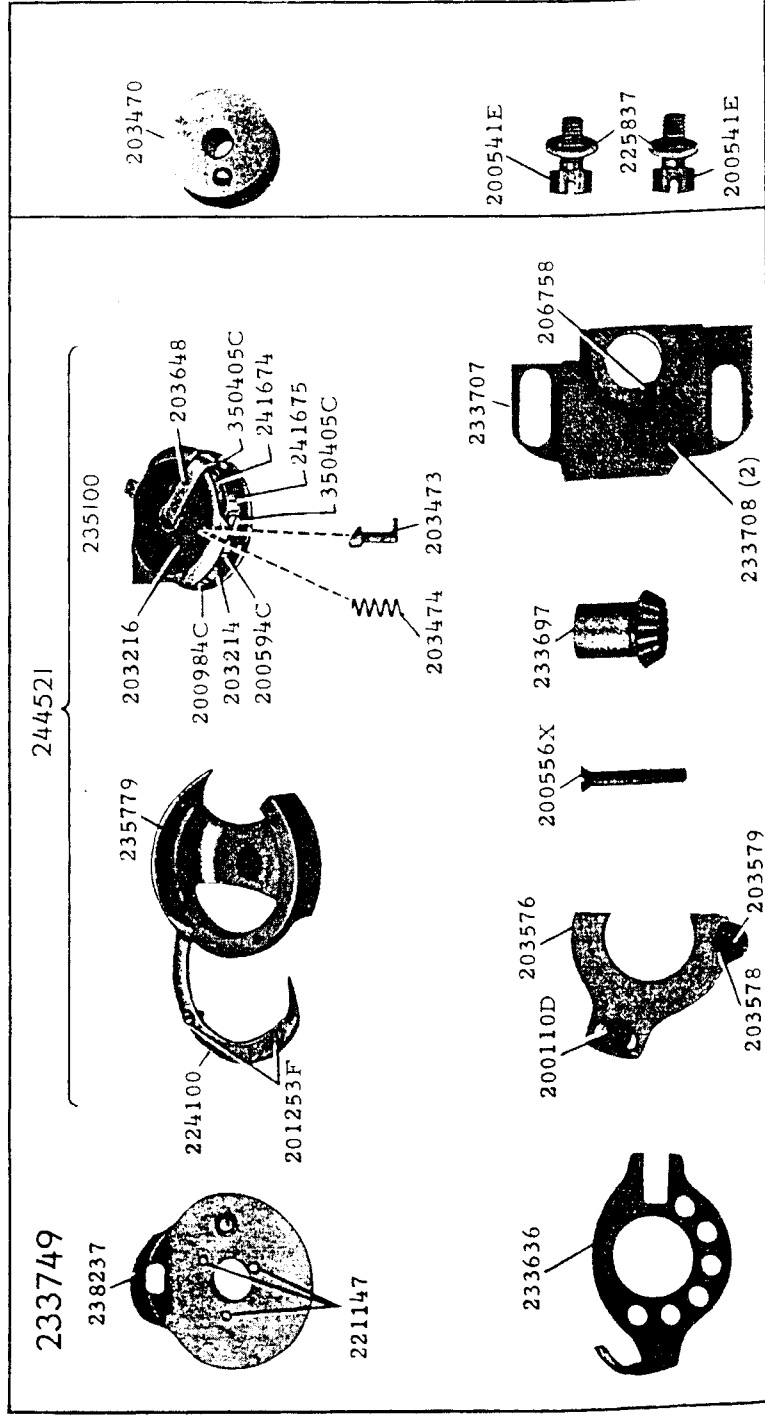


17070 - 3/8

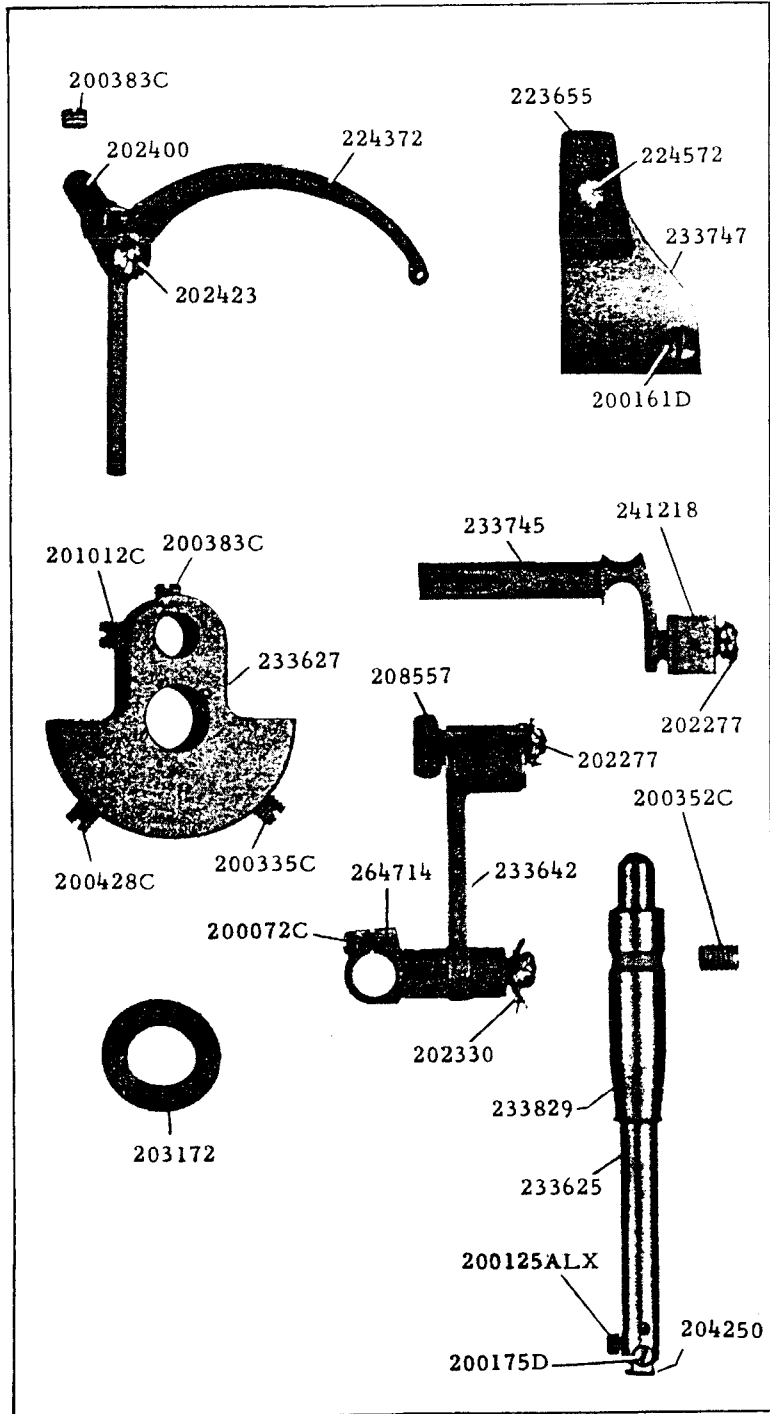




Attn: Bob



17073 - 5/8



17074 - 3/4

