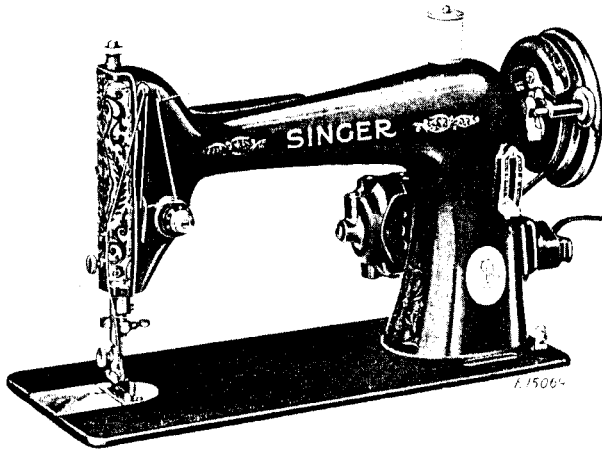


# **SINGER**

**66-16**

LIST OF PARTS COMPLETE  
FOR



MACHINE No. 66-16

FOR FAMILY USE. OSCILLATING HOOK  
BOBBIN CASE POSITION BRACKET HINGED,  
TO THROW-OUT FOR EASY REMOVAL OF  
THE BOBBIN CASE.

No.	Plate	Name
*32756	-----	Arm with 15404 and two 15405.....
4389-2002	23851	" Dowel Pin (2).....
32683	9699	" Oil Tube, for oiling Arm Shaft Slide Block.....
32676R	9699	Arm Rock Shaft with 50571E.....
32682R	-----	" " " 32676R with 1216C and 1520R
50571E	9699	" " " Adjusting Screw.....
8204	9699	" " " Center (upper).....
301C	9699	" " " Screw Center (lower).....
55516	-----	" " " " " " 301C with 1508R.....
1508R	9699	Arm Rock Shaft Screw Center (lower) Nut.
649E	23851	" Screw (3).....
32677	9699	" Shaft.....
32678	-----	" " 32677 with 32679 and 32680....
32681	-----	" " 32678 with 32503 and 32517....
32503	9699	" " Bushing.....
443A	9699	" " " Set Screw.....

No.	Plate	Name
32679	9699	Arm Shaft Slide Block (two pieces).....
32680	9699	" " " " Retaining Clip....
125425	9699	" Side Cover.....
51224B	9699	" " " Thumb Screw.....
2007	9699	" Spool Pin.....
8879	9699	" " Washer (cloth).....
32672	9699	Balance Wheel, 3 1/4 in. pulley.....
*32770	-----	Bed.....
256B	9699	Clamp Stop Motion Clamp Screw.....
248A	9699	" " " " Stop Screw.....
2020	9699	" " " " Washer.....
32618E	9699	" " " Flanged Bushing.....
32639	-----	" " " " " 32618E with 256B.....
1148AL	9699	Clamp Stop Motion Flanged Bushing Set Screw.....
32619	-----	Clamp Stop Motion complete, Nos. 248A, 256B, 1148AL, 2020 and 32618E.....
32506	23852	Face Plate with 32630.....
107B	23852	" " Screw.....
32630	23852	" " Thread Guard with 125424....
125424	23852	" " " Rivet.....
51224B	23852	" " Thumb Screw.....
32507R	23851	Feed Bar with 1944.....
1944	23851	" " Roller and Stud.....
315C	23851	" " Screw Center (2).....
15445	-----	" " " " 315C with 1519R (2)
1519R	23851	" " " " Nut (2).....
32562	9699	" Cam with 1285C.....
1285C	9699	" " Set Screw.....
32600	23852	" Dog, 12 teeth (16 teeth to the inch).....
191C	23852	Feed Dog Screw.....
32620R	9699	" Forked Connection.....
32624R	-----	" " " 32620R with 1832.
1381C	9699	" " " Hinge Screw (ec- centric).....
1520R	9699	Feed Forked Connection Hinge Screw Nut..
1832	9699	" " " Roller with 1085E
1085E	9699	" " " Screw Stud
32510R	23851	" Raising Bar with 1944.....
1301C	23851	" " " Hinge Screw.....
1944	23851	" " " Roller and Stud.....
32688	9699	" Regulator.....
8217	9699	" " Friction Washer.....
51295C	9699	" " Hinge Screw.....
32581R	23851	" Rock Shaft.....
307C	23851	" " " Screw Center (2).....
56814	-----	" " " " 307C with 1513R (2).....

32638

Feed Raising Bar (for Agency  
order)

No.	Plate	Name
1513R	23851	Feed Rock Shaft Screw Center Nut (2)...
51045AL	23851	Machine Hinge Connection Set Screw (2).
32668	23853	Needle Bar with 32519.....
66558	23853	" " Bushing.....
66655	-----	" " " 66558 with 665J and 66639.....
1133AL	23853	Needle Bar Bushing Set Screw.....
32515	-----	" " Connecting Link with 51002E..
32669	23853	" " " " 32515 with 66559.....
32670	-----	Needle Bar Connecting Link 32669 with 1130E and 32578.....
51002E	23853	Needle Bar Connecting Link Adjusting Screw.....
1130E	23853	Needle Bar Connecting Link Cap Screw....
66559	23853	" " " Stud with 1353AL...
1353AL	23853	" " " Set Screw.....
32517	9699	" " Crank with 1036AL and 1134AL.
1134AL	9699	" " " Position Screw.....
21360	23853	" " Hole Plug.....
66639	23853	" " Thread Guard.....
665J	23853	" " " Screw.....
66561	23853	" " Timing Gauge.....
2054	23853	" Clamp with 558C. 142545C.....
140545C	23853	" " Thumb Screw.....
32519	23853	" Stop Pin.....
32520	23854	Oscillating Hook.....
32626	-----	" " 32520 with 32590.....
32656R	23851	" " Bell Crank.....
32657R	-----	" " " " 32656R with 50561C.....
50561C	23851	Oscillating Hook Bell Crank Hinge Screw.
32522	23854	" " Bobbin.....
32590	23854	" " " Case with 1172F, 1173J and 32567.....
32659	23854	Oscillating Hook Bobbin Case Position Bracket.....
32660	23854	Oscillating Hook Bobbin Case Position Bracket complete, Nos. 662F, 32528, 32598, 32599, 32659, 32661 to 32664, 50579D and 50580E.....
32661	23854	Oscillating Hook Bobbin Case Cushion Spring.....
662F	23854	Oscillating Hook Bobbin Case Cushion Spring Screw.....
32662	23854	Oscillating Hook Bobbin Case Position Bracket Hinge Stud.....
50611J	23854	Oscillating Hook Bobbin Case Position Bracket Hinge Stud Set Screw.....
32663	23854	Oscillating Hook Bobbin Case Position Bracket Latch.....

No.	Plate	Name
50579D	23854	Oscillating Hook Bobbin Case Position Bracket Latch Screw.....
32598	23854	Oscillating Hook Bobbin Case Position Bracket Oil Pad (felt).....
32599	23854	Oscillating Hook Bobbin Case Position Bracket Oil Pad Holder.....
1172F	23854	Oscillating Hook Bobbin Case Tension Regulating Screw.....
32567	23854	Oscillating Hook Bobbin Case Tension Spring.....
1173J	23854	Oscillating Hook Bobbin Case Tension Spring Screw.....
32664	23854	Oscillating Hook Bobbin Ejector.....
50580E	23854	" " " Hinge Screw Stud.....
32528	23854	Oscillating Hook Bobbin Ejector Spring..
32529R	23854	" " Connecting Link.....
1132C	23854	" " " Hinge Screw.....
32594R	23854	Oscillating Hook Crank with 1485R.....
1485R	23854	" " " Clamping Screw...
32775A 32531R	23851	" " Pitman with two 175R...
175R	23851	" " " Adjusting Screw (2).....
44C	23851	Oscillating Hook Pitman Screw Stud (left).....
1216C	9699	Oscillating Hook Pitman Screw Stud (right).....
216C	9699	Oscillating Hook Pitman Screw Stud (right) Cap Screw.....
1520R	9699	Oscillating Hook Pitman Screw Stud (right) Nut.....
32569	23852	Oscillating Hook Slide.....
32570	23852	" " " Friction Spring..
226E	23852	" " " " Screw.....
32665	23853	Presser Bar.....
32535	23853	" " Guide Bracket with 453AL...
453AL	23853	" " " Set Screw.....
66564	23853	" " Lifter.....
85E	23853	" " " Hinge Screw.....
32675	23853	" " Spring.....
2070	23853	" " " Washer.....
32773	23853	Presser Foot (hinged).....
51224B	23853	" " Thumb Screw.....
263J	23853	Pressure Regulating Thumb Screw.....
32621	23853	Slack Thread Regulator.....
219E	23853	" " " Screw.....
32760	9699	Stitch Indicator Plate.....
140202S	9699	" " " Screw (2).....

No.	Plate	Name
2102	23852	Tension Disc (2).....
45866	23852	" Indicator.....
45864	23852	" " Flange.....
45865	23852	" " " Stop Washer....
51681B	23852	" Regulating Thumb Nut.....
32573	23853	" Releasing Lever.....
97E	23853	" " " Hinge Screw....
12329	23853	" " " Spring.....
32574	23852	" " Pin.....
140167J	23852	" Stud.....
45870	-----	" " 140167J with 51681B.....
50305C	23852	" " Set Screw.....
45869	23852	" Spring.....
32757	23852	Tension (graduated) complete, Nos.32574, 32758, 32759, 45864 to 45866, 45869, 45870 and two 2102.....
26075	23853	Thread Cutter and Holder.....
8422	23852	" Guard (head of arm).....
32578	23853	" Take-up Crank.....
1036AL	9699	" " " Set Screw.....
32541	23853	" " Lever.....
32542	-----	Thread Take-up Lever complete, Nos. 32541, 32543 and 32544.....
32671	-----	Thread Take-up Lever 32542 with 1131C and 32670.....
32543	23853	Thread Take-up Lever Hinge Stud.....
32544	23853	" " " Link.....
1131C	23853	" " " Hinge Screw...
32758	23852	" " Spring.....
32759	23852	" " " Regulator with 50305C.....
453AL	23852	Thread Take-up Spring Regulator Set Screw.....
32602	23852	Throat Plate for 32600.....
691A	23852	" " Screw (2).....
*15404	-----	Trade Mark.....
15405	-----	" " Rivet (2).....

B. R. FAMILY SEWING MACHINE MOTORS

Motor Catalog No.	RATING		CONTROLLER PART NUMBERS				
	Volts	Cycles	Amperes	Convertible for Foot or Knee Control Sets Nos. 40, 47, 50, 56, 401 and 402	Foot Control Only	Treadle Control for Stands Nos. 25281, 25282 and 25294	Treadle Control for Stands Nos. 46909, 46912 and 46913
B.R. 3	32	D.C. Only	1.4	194587	194583	194384	194381
B.R. 5	50	D.C. and 25 to 75	1.1	194587	194583	194384	194381
B.R. 6	95-100	D.C. and 25 to 75	0.6	194588	194584	194385	194382
B.R. 7	100-110	D.C. and 25 to 75	0.6	194588	194584	194385	194382
B.R. 8	115-125	D.C. and 25 to 75	0.5	194588	194584	194385	194382
B.R. 9	150-165	D.C. and 25 to 75	0.4	194589	194585	194386	194383
B.R. 10	200-220	D.C. and 25 to 75	0.3	194589	194585	194386	194383
B.R. 11	210-230	D.C. and 25 to 75	0.3	194589	194585	194386	194383
B.R. 12	230-250	D.C. and 25 to 75	0.3	194589	194585	194386	194383
B.R. 14	125-135	D.C. and 25 to 75	0.5	194588	194584	194385	194382
B.R. 15	130-145	D.C. and 25 to 75	0.5	194588	194584	194385	194382
B.R. 87	100-110	D.C. and 25 to 100	0.7	194588	194584	194385	194382
B.R. 90	200-220	80 to 100	0.4	194589	194585	194386	194383
B.R. 92	230-250	80 to 100	0.3	194589	194585	194386	194383

GUIDE FOR ORDERING

Example of a correct order:  
 "B.R. 7 Motor with Belt No. 193077 and Controller No. 194588"  
 (Belt No. and Controller No. must be specified on order.)

This means a B.R. 7 Motor, 100-110 Volts for Foot or Knee Control for Sets Nos. 40, 47, 50, 56, 401 and 402 and is comprised of the following: B.R. 7 Motor, Motor Bracket complete with Screws, Three-Pin Terminal (male-half) complete Belt Controller with Lead and Cord and Singer Motor Lubricant in Tube.

MOTOR PARTS

No.	Plate	Name
193476	-----	Armature complete for B.R. 3 Motor.....
193477	-----	Armature complete for B.R. 5 Motor.....
193318	23855	Armature complete for B.R. 6 and B.R. 7 Motors.....
193478	-----	Armature complete for B.R. 8 Motor.....
193479	-----	Armature complete for B.R. 9 Motor.....
193480	-----	Armature complete for B.R. 10 and B.R. 92 Motors.....
193481	-----	Armature complete for B.R. 11 and B.R. 12 Motors.....
194635	-----	Armature complete for B.R. 14 Motor.....
193482	-----	Armature complete for B.R. 15 Motor.....
193483	-----	Armature complete for B.R. 87 Motor.....
193484	-----	Armature complete for B.R. 90 Motor.....
193230	23855	" Shaft Bearing Sleeve Cap (commutator end).....
194494	23855	Armature Shaft Grease Cup Body (2).....
194490	23855	" " " Wick (felt) (2).....
194326	23855	Armature Shaft Grease Wick Spring (2)..
191097	23855	" Thrust Washer (commutator end) fibre.....
701400	23855	Armature Thrust Washer (pulley end) fibre.....
191098	23855	Armature Thrust Washer (pulley end) peerless paper.....
193077	23855	Belt (moulded) for Disc Balance Wheel No. 32672.....
190782	23855	Brush (carbon) for 32 to 145 volts (2).
192947	-----	" " " 150 to 250 volts (2).
193229	23855	" Cap (2).....
190083	23855	" Spring (2).....
193228	23855	" Tube (2).....
193238	23855	" " Terminal (2).....
190059	23855	Commutator complete.....
194295	23855	End Covers complete, Nos. two each 194326, 194490 and 194494.....
51206R	23855	End Cover Screw (2).....
193236	23855	Fan.....
193440	-----	Field Coil complete for B.R. 3 Motor....
193443	-----	Field Coil complete for B.R. 5 Motor....
193446	-----	Field Coil complete for B.R. 6 Motor....
193449	23855	Field Coil complete for B.R. 7 Motor....
193452	-----	Field Coil complete for B.R. 8 Motor....
193455	-----	Field Coil complete for B.R. 9 Motor....
193458	-----	Field Coil complete for B.R. 10 and B.R. 11 Motors.....

No.	Plate	Name
193461	-----	Field Coil complete for B.R. 12 Motor...
194636	-----	Field Coil complete for B.R. 14 Motor...
193464	-----	Field Coil complete for B.R. 15 Motor...
193467	-----	Field Coil complete for B.R. 87 Motor...
193470	-----	Field Coil complete for B.R. 90 Motor...
193473	-----	Field Coil complete for B.R. 92 Motor...
190563	23855	" " Retainer.....
192240	-----	" " Tube (paper).....
193241	23855	Field Core complete.....
194967	23855	" " Shield (moulded) for B.R. 7 Motor.....
194968	-----	Field Core Shield (moulded) for all B.R. Motors except B.R. 7 Motor.....
192851	-----	Lead Cord complete with Three-Pin Termi- nal (female half) from lamp socket to three-pin terminal, for knee or treadle control.....
192641	23855	Motor Bracket.....
50632CR	23855	" " Screw.....
190058	23855	" " Retaining Washer (fibre).....
191417	23855	Motor Bracket Screw Washer.....
193287	23855	Motor Bracket complete, Nos. 50632CR, 51208B, 190058, 191417, 192641 and 701513.....
51208B	23855	Motor Screw.....
701513	23855	" " Retaining Washer (fibre)....
193231	23855	Pulley (moulded).....
51207AL	23855	" Position Screw.....
51093R	21378	Three-Pin Terminal (female half) Housing Screw (2).....
1768R	21378	Three-Pin Terminal (female half) Housing Screw Nut (2).....
192692	-----	Three-Pin Terminal (female half) Insert Clamp (3).....
194533	-----	Three-Pin Terminal (female half) com- plete for 192851, Nos. two each 1768R, 51093R and three 192692.....
51582	23855	Three-Pin Terminal Body (male half) Post Thumb Nut (3).....
701719	23855	Three-Pin Terminal Body (male half) Post Washer (3).....
192797	23855	Three-Pin Terminal Body (male half) com- plete with three each 51582 and 701719.....
145R	23855	Three-Pin Terminal Body (male half) Screw.....
190613	23855	Tube filled with Singer Motor Lubricant, packed in carton.....

## CONTROLLERS

## CONVERTIBLE FOR FOOT OR KNEE CONTROL

FOR SETS NOS. 40, 47, 50, 56, 401 AND 402

No.	Plate	Name
194587	-----	Controller complete, for 32 to 55 volts, A.C. or D.C. Motor, Nos. 194321, 194569, 194573, 194579, 892287, two 964317 and four each 140099R and 194407.....
194588	20210	Controller complete, for 95 to 145 volts, A.C. or D.C. Motor, Nos. 194321, 194570, 194573, 194579, 899816, two 964317 and four each 140099R and 194407.....
194589	-----	Controller complete, for 150 to 250 volts, A.C. or D.C. Motor, Nos. 194321, 194571, 194573, 194579, 899287, two 964317 and four each 140099R and 194407.....
194572	20210	Controller Base.....
194569	-----	" " 194572 with 192211, 194418, 194774, 194775 and two each 23258, 140100R, 140103R, 194404, 194514 and 931090, for 194587.....
194570	-----	Controller Base 194572 with 192140, 194418, 194774, 194775 and two each 23258, 140100R, 140103R, 194404, 194514 and 931090, for 194588.....
194571	-----	Controller Base 194572 with 192141, 194418, 194774, 194775 and two each 23258, 140100R, 140103R, 194404, 194514 and 931090, for 194589.....
194407	20210	Controller Base Cushion (rubber) (4)...
140099R	20210	" " Screw (4).....
194573	20210	" Cover.....
194321	20210	" Foot Pedal.....
194579	20210	Controller Lead complete.....
192211	-----	" Resistance Unit, for 32 to 55 volts.....
192140	20210	Controller Resistance Unit, for 95 to 145 volts.....
192141	-----	Controller Resistance Unit, for 150 to 250 volts.....
194774	20210	Controller Resistance Unit Adjusting Nut

## CONTROLLERS

No.	Plate	Name
194775	20210	Controller Resistance Unit Adjusting Nut Lock Spring.....
194416	20210	Controller Resistance Unit Bell Crank...
51340C	20210	" " " " "
		Hinge Screw.....
1607J	20210	Controller Resistance Unit Bell Crank Hinge Screw Nut.....
194404	20210	Controller Resistance Unit Bell Crank Spring (2).....
194402	20210	Controller Resistance Unit Bell Crank Spring Bracket.....
194418	----	Controller Resistance Unit Bell Crank Spring Bracket 194402 with 194416, 194773 and two each 1607J and 51340C
140100R	----	Controller Resistance Unit Bell Crank Spring Bracket Screw (2).....
194514	----	Controller Resistance Unit Bell Crank Spring Bracket Screw Insulating Disc (2).....
140103R	20210	Controller Resistance Unit Screw (2)...
931090	----	" " " " Washer (asbestos) (2).....
23258	20210	Controller Resistance Unit Screw Washer (steel) (2).....
193384	20210	Controller Resistance Unit Short Cir- cuiting Contact (2).....
51327J	20210	Controller Resistance Unit Short Cir- cuiting Contact Screw (2).....
194773	20210	Controller Resistance Unit Yoke.....
51340C	20210	" " " " Hinge Screw.....
1607J	20210	Controller Resistance Unit Yoke Hinge Screw Nut.....
*899816	----	Name Plate for 194588.....
*899287	----	" " " 194587 and 194589.....
964317	----	" " Drive Screw (2).....

## CONTROLLER HOLDER

No.	Plate	Name
136264	23856	Controller Holder with four wood screws 3/8 in. No. 5 R.H. blacked, for 194587 to 194589.....

## ELECTRICAL TRIMMINGS

No.	Plate	Name
192142	23856	Controller Lead Bushing, for Machine Lifting Plate.....
192143	23856	Controller Lead Bushing Retaining Spring for 192142.....
194546	23856	Controller Lead Tube.....
192918	23856	" " " Clamp.....

## KNEE LEVER PARTS

FOR SETS NOS. 40, 47, 50, 56, 401 AND 402

No.	Plate	Name
194437	23856	Knee Lever.....
194436	----	" " 194437 with 1611TM, 140107TM, 194438, 194470 and 194545.....
194549	23856	Knee Lever Connecting Link.....
140105TM	23856	" " " " Hinge Screw..
1550TM	23856	" " " " " " "
		Nut.....
194438	23856	Knee Lever Extension.....
194550	23856	" " " Hinged Bracket....
194551	23856	" " " " " Frame
194431	----	" " " " " "
		194551 with 1550TM, 1708J, 140105TM, 140106J, 194434, 194549 and 194550..
140106J	23856	Knee Lever Extension Hinged Bracket Hinge Screw.....
1708J	23856	Knee Lever Extension Hinged Bracket Hinge Screw Nut.....
194434	23856	Knee Lever Extension Hinged Bracket Spring.....
51224TM	23856	Knee Lever Extension Thumb Screw.....
5480	23856	" " " " " Friction Washer.....
140107TM	23856	Knee Lever Hinge Screw.....
194545	23856	" " " " Friction Washer..
1611TM	23856	" " " " Nut.....
194470	23856	" " " " Washer.....
194430	23856	Knee Lever with Controller Operating Unit complete, Nos. 5480, 51224TM, 194431, 194436 and four wood screws 5/8 in. No. 6 R.H.....

## FOOT CONTROLLERS

No.	Plate	Name
194583	-----	Controller complete, for 32 to 55 volts, A.C. or D.C. Motor, Nos. 194321, 194569, 194573, 194574, 899287, two 964317 and four each 140099R and 194407.....
194584	21378	Controller complete, for 95 to 145 volts, A.C. or D.C. Motor, Nos. 194321, 194570, 194573, 194574, 899815, two 964317 and four each 140099R and 194407.....
194585	-----	Controller complete, for 150 to 250 volts, A.C. or D.C. Motor, Nos. 194321, 194571, 194573, 194574, 899287, two 964317 and four each 140099R and 194407.....
194572	21378	Controller Base.....
194569	-----	" " 194572 with 192211, 194418, 194774, 194775 and two each 23258, 140100R, 140103R, 194404, 194514 and 931090, for 194583.....
194570	-----	Controller Base 194572 with 192140, 194418, 194774, 194775 and two each 23258, 140100R, 140103R, 194404, 194514 and 931090, for 194584.....
194571	-----	Controller Base 194572 with 192141, 194418, 194774, 194775 and two each 23258, 140100R, 140103R, 194404, 194514 and 931090, for 194585.....
194407	21378	Controller Base Cushion (rubber) (4)...
140099R	21378	" " Screw (4).....
194573	21378	" Cover.....
194321	21378	" Foot Pedal.....
194574	21378	Controller Lead Cord complete with Three-Pin Terminal (female half) from lamp socket to three-pin terminal and controller.....
192211	-----	Controller Resistance Unit, for 32 to 55 volts.....
192140	21378	Controller Resistance Unit, for 95 to 145 volts.....
192141	-----	Controller Resistance Unit, for 150 to 250 volts.....
194774	21378	Controller Resistance Unit Adjusting Nut
194775	21378	" " " " " " Lock Spring.....

No.	Plate	Name
194416	21378	Controller Resistance Unit Bell Crank...
51340C	21378	" " " " " "
		Hinge Screw.....
1607J	21378	Controller Resistance Unit Bell Crank Hinge Screw Nut.....
194404	21378	Controller Resistance Unit Bell Crank Spring (2).....
194402	21378	Controller Resistance Unit Bell Crank Spring Bracket.....
194418	-----	Controller Resistance Unit Bell Crank Spring Bracket 194402 with 194416, 194773 and two each 1607J and 51340C
140100R	-----	Controller Resistance Unit Bell Crank Spring Bracket Screw (2).....
194514	-----	Controller Resistance Unit Bell Crank Spring Bracket Screw Insulating Disc (2).....
140103R	21378	Controller Resistance Unit Screw (2)...
931090	-----	" " " " Washer (asbestos) (2).....
23258	21378	Controller Resistance Unit Screw Washer (steel) (2).....
193384	21378	Controller Resistance Unit Short Circuiting Contact (2).....
51327J	21378	Controller Resistance Unit Short Circuiting Contact Screw (2).....
194773	21378	Controller Resistance Unit Yoke.....
51340C	21378	" " " " Hinge Screw.....
1607J	21378	Controller Resistance Unit Yoke Hinge Screw Nut.....
*899815	-----	Name Plate for 194584.....
*899287	-----	" " " 194583 and 194585.....
964317	-----	" " Drive Screw (2).....
51093R	21378	Three-Pin Terminal (female half) Housing Screw (2).....
1768R	21378	Three-Pin Terminal (female half) Housing Screw Nut (2).....
192692	-----	Three-Pin Terminal (female half) Insert Clamp (3).....
194521	21378	Three-Pin Terminal (female half) complete for 194574, Nos. two each 1768R, 51093R and three 192692.....



## TREADLE CONTROLLERS

FOR STANDS NOS. 25281, 25282 and 25294

No.	Plate	Name
194384	-----	Controller complete, for 32 to 55 volts, A.C. or D.C. Motor, Nos. 194426, 194455, 194491 and two 140102R.....
194385	20212	Controller complete, for 95 to 145 volts, A.C. or D.C. Motor, Nos. 194454, 194455, 194492 and two 140102R.....
194386	-----	Controller complete, for 150 to 250 volts, A.C. or D.C. Motor, Nos. 194426, 194455, 194493 and two 140102R
194322	20212	Controller Base.....
194491	-----	" " 194322 with 23258, 192211, 193908, 194422, 194479, 194774, 194775, two each 140100R, 140103R, 194421, 194514 and 931090, for 194384.....
194492	-----	Controller Base 194322 with 23258, 192140, 193908, 194422, 194479, 194774, 194775, two each 140100R, 140103R, 194421, 194514 and 931090, for 194385
194493	-----	Controller Base 194322 with 23258, 192141, 193908, 194422, 194479, 194774, 194775, two each 140100R, 140103R, 194421, 194514 and 931090, for 194386
198001	20213	Controller Bracket for Cabinet Tables...
198002	20213	" " " Cover Sets.....
51119J	20213	" " " Screw.....
194323	-----	" Cover.....
194454	20212	" " 194323 with 899691 and two 964317, for 194385.....
194426	-----	Controller Cover 194323 with 899287 and two 964317, for 194384 and 194386...
140102R	20212	Controller Cover Screw (2).....
194455	20212	Controller Lead complete.....
193908	20212	" " " Clamp.....
194479	20212	" " " Insulation.....
192866	20213	" Pitman Rod Connection.....
192211	-----	" Resistance Unit, for 32 to 55 volts.....
192140	20212	Controller Resistance Unit, for 95 to 145 volts.....
192141	-----	Controller Resistance Unit, for 150 to 250 volts.....
194774	20212	Controller Resistance Unit Adjusting Nut

## TREADLE CONTROLLERS

No.	Plate	Name
194775	20212	Controller Resistance Unit Adjusting Nut Lock Spring.....
194416	20212	Controller Resistance Unit Bell Crank...
194324	20212	" " " " " Con-necting Link.....
140101C	20212	Controller Resistance Unit Bell Crank Connecting Link Hinge Screw.....
1607J	20212	Controller Resistance Unit Bell Crank Connecting Link Hinge Screw Nut.....
51340C	20212	Controller Resistance Unit Bell Crank Hinge Screw.....
1607J	20212	Controller Resistance Unit Bell Crank Hinge Screw Nut.....
194421	20212	Controller Resistance Unit Bell Crank Spring (2).....
194402	20212	Controller Resistance Unit Bell Crank Spring Bracket.....
194422	-----	Controller Resistance Unit Bell Crank Spring Bracket 194402 with 51340C, 140101C, 194324, 194416, 194773 and two 1607J.....
140100R	-----	Controller Resistance Unit Bell Crank Spring Bracket Screw (2).....
194514	-----	Controller Resistance Unit Bell Crank Spring Bracket Screw Insulating Disc (2).....
140103R	20212	Controller Resistance Unit Screw (2)...
931090	-----	" " " " Washer (asbestos) (2).....
23258	20212	Controller Resistance Unit Screw Washer (steel) (2).....
194773	20212	Controller Resistance Unit Yoke.....
*899691	-----	Name Plate for 194454.....
*899287	-----	" " " 194426.....
964317	-----	" " Drive Screw (2).....

## TREADLE CONTROLLERS

FOR STANDS NOS. 46909, 46912 AND 46913

No.	Plate	Name
194381	-----	Controller complete, for 32 to 55 volts, A.C. or D.C. Motor, Nos. 194423, 194426, 194491 and two 140102R.....
194382	20214	Controller complete, for 95 to 145 volts, A.C. or D.C. Motor, Nos. 194423, 194425, 194492 and two 140102R

## TREADLE CONTROLLERS

No.	Plate	Name
194383	-----	Controller complete, for 150 to 250 volts, A.C. or D.C. Motor, Nos. 194423, 194426, 194493 and two 140102R
194322	20214	Controller Base.....
194491	-----	" " 194322 with 23258, 192211, 193908, 194422, 194479, 194774, 194775, two each 140100R, 140103R, 194421, 194514 and 931090, for 194381.....
194492	-----	Controller Base 194322 with 23258, 192140, 193908, 194422, 194479, 194774, 194775, two each 140100R, 140103R, 194421, 194514 and 931090, for 194382
194493	-----	Controller Base 194322 with 23258, 192141, 193908, 194422, 194479, 194774, 194775, two each 140100R, 140103R, 194421, 194514 and 931090, for 194383
198162	20215	Controller Bracket for 198164.....
194399	-----	" " " 194468.....
198164	20215	" " 198162 with 198163 and three 51119R, for Stands Nos. 46909 and 46912.....
194468	20215	Controller Bracket 194399 with 51690R, 140348AL and 701606, for Stand No. 46913.....
198163	20215	Controller Bracket Clamp for 198164.....
51119R	20215	" " " Screw for 198164 (3).....
140348AL	20215	Controller Bracket Screw for 194468.....
51690R	20215	" " " Nut for 194468.
701606	20215	" " " Lock Washer
194323	-----	" Cover.....
194425	20214	" " 194323 with 899688 and two 964317, for 194382.....
194426	-----	Controller Cover 194323 with 899287 and two 964317, for 194381 and 194383...
140102R	20214	Controller Cover Screw (2).....
194423	20214	Controller Lead complete, from controller to three-pin terminal.....
193908	20214	Controller Lead Clamp.....
194479	20214	" " " Insulation.....
198169	20215	" Pitman Rod Connection for Stands Nos. 46909 and 46912.....
193828	20215	Controller Pitman Rod Connection for Stand No. 46913.....
192211	-----	Controller Resistance Unit, for 32 to 55 volts.....
192140	20214	Controller Resistance Unit, for 95 to 145 volts.....
192141	-----	Controller Resistance Unit, for 150 to 250 volts.....

## TREADLE CONTROLLERS

No.	Plate	Name
194774	20214	Controller Resistance Unit Adjusting Nut
194775	20214	" " " " " "
		Lock Spring.....
194416	20214	Controller Resistance Unit Bell Crank...
194324	20214	" " " " " " Connecting Link.....
140101C	20214	Controller Resistance Unit Bell Crank Connecting Link Hinge Screw.....
1607J	20214	Controller Resistance Unit Bell Crank Connecting Link Hinge Screw Nut.....
51340C	20214	Controller Resistance Unit Bell Crank Hinge Screw.....
1607J	20214	Controller Resistance Unit Bell Crank Hinge Screw Nut.....
194421	20214	Controller Resistance Unit Bell Crank Spring (2).....
194402	20214	Controller Resistance Unit Bell Crank Spring Bracket.....
194422	-----	Controller Resistance Unit Bell Crank Spring Bracket 194402 with 51340C, 140101C, 194324, 194416, 194773 and two 1607J.....
140100R	-----	Controller Resistance Unit Bell Crank Spring Bracket Screw (2).....
194514	-----	Controller Resistance Unit Bell Crank Spring Bracket Screw Insulating Disc (2).....
140103R	20214	Controller Resistance Unit Screw (2)...
931090	-----	" " " " Washer (asbestos) (2).....
23258	20214	Controller Resistance Unit Screw Washer (steel) (2).....
194773	20214	Controller Resistance Unit Yoke.....
792R	20215	" Screw (3).....
*899688	-----	Name Plate for 194425.....
*899287	-----	" " for 194426.....
964317	-----	" " Drive Screw (2).....

## ELECTRICAL TRIMMINGS

No.	Plate	Name
192142	20215	Controller Lead Bushing (for machine lifting plate) for Stand No. 46913..
192143	20215	Controller Lead Bushing Retaining Spring for 192142, for Stand No. 46913.....
192912	20215	Controller Lead Tube for Stands Nos. 46909 and 46912.....
192912	20215	Controller Lead Tube (long) for Stand No. 46913.....
192918	20215	Controller Lead Tube Clamp.....

## SINGERLIGHT No. 193294

No.	Plate	Name
193941	23857	Singerlight Bracket.....
193289	23857	Singerlight Lead complete.....
193829	23857	" " Strain Relief Disc.....
50566	23857	" " Terminal Screw (brass) (2).....
193940	23857	Singerlight Nipple.....
193936	23857	" " Cap with 50564J.....
50564J	23857	" " Set Screw.....
193512	23857	" " Insulating Collar....
51602R	23857	" " Nut.....
701909	23857	" " Insulating Washer (fibre).....
193509	23857	Singerlight Nipple Washer (felt) (2)...
193272	23857	" Shade.....
193421	23857	" " 193272 with 193401....
193437	23857	" " Friction Washer.....
193401	23857	" " Reflector.....
194594	23857	" Socket Body with Toggle Switch
194659	23857	" Toggle Switch.....
194599	23857	" " Operating Lever.
194304	23857	" " Shell.....
51385CR	23857	" " Screw.....
51399K	23857	" " Screw.....
51203	23857	" " Spring Contact (right) Screw (brass).....
193294	23857	Singerlight (moulded, less lamp) com- plete, Nos. 691J, 97359, 193289, 193421, 193437, 193941, 701909 and two 193509.
691J	23857	Singerlight Screw.....
97359	23857	" " Retaining Washer (fibre)

## SINGERLIGHT LAMP

No.	Plate	Name
194120	23857	Singerlight Lamp.....

Note: When ordering No. 194120, state voltage required. We are prepared to furnish the following voltages:

32  
50  
110 to 120  
200 to 220  
230 to 250

## ACCESSORIES

No.	Plate	Name
120329	-----	Machine Cover.....
120862	9695	Oil Can, contents 1 1/3 fluid oz. (filled with household oil).....

## ATTACHMENT SET

No.	Plate	Name
121461	9696	Binder Folder.....
121463	9696	" Foot.....
51104B	9696	" Screw.....
120565	9696	" " Washer.....
121464	9696	Binder complete, Nos. 51104B, 120565, 121461 and 121463.....
32522	9696	Bobbin (four).....
36865	9696	Edge Stitcher.....
35931	9696	Hemmer (adjustable).....
120842	9696	" (foot) 5/64 in. hem.....
-----	-----	Needles (six).....
121441	9696	Presser Foot (double toe) for gathering.
25537	9696	Screw Driver (machine).....
120378	9696	" " (shuttle tension).....
8879	9696	Spool Pin Washer (cloth).....
121898	-----	Attachment Set, Nos. 8879, 25537, 35931, 36865, 120378, 120842, 121441, 121464, four 32522 and six needles.....
120598	9696	Ruffler for one, six and twelve stitch ruffling.....
121899	9696	Attachment Set complete, Nos. 120598 and 121898.....

## BIAS GAUGE

No.	Plate	Name
25525	9695	Bias Gauge.....

## BOBBIN WINDER (SEMI-AUTOMATIC)

No.	Plate	Name
15376	23858	Adjusting Arm.....
50058B	23858	" " Screw.....
32673	23858	Bracket (belt cover).....
180B	23858	" " Screw.....
32768	23858	Frame with Pulley and Spindle.....
50059B	23858	" Hinge Screw.....
15286	23858	" Spring.....
15287	23858	Friction Ring (rubber).....
32625	23858	Stop Latch.....
50230B	23858	" " Hinge Screw.....
15291	23858	" " Spring.....
32769	23858	Bobbin Winder (semi-automatic) complete, Nos. 15286, 15287, 15291, 15376, 32625, 32673, 32768, 50058B, 50059B and 50230B
32700	23858	Thread Guide.....
208J	23858	" " Screw.....

## BRAIDER

No.	Plate	Name
25510	9698	Braider.....
289B	9698	" Thumb Screw.....

## CORDER (Bow) FOR TOP CORDING

No.	Plate	Name
26399	23858	Corder (bow) complete.....
190J	23858	" Screw.....

## FEED COVER PLATES

No.	Plate	Name
32622	9695	Feed Cover Plate (flat top) for art work
32589	9695	" " " (oval top) for art work

## FELLER (Foot)

No.	Plate	Name
36835	9698	Feller (foot).....

## FINGER GUARD

No.	Plate	Name
121725	9698	Finger Guard.....

## HEMMERS (Foot)

No.	Plate	Name
25904	23854	Hemmer (foot) 1/16 in. hem.....
36333	23854	" " 1/16 in. hem, for chiffon and silk.....
120842	9696	Hemmer (foot) 5/64 in. hem.....
25911	23854	" " 3/32 in. hem.....
25895	23854	" " 1/8 in. hem.....
35884	9698	" " 3/16 in. hem.....
25893	9698	" " 1/4 in. hem.....
36469	23854	" " 1/32 in. hem, for chiffon and silk (slotted for lace).....

## HEMSTITCHER

No.	Plate	Name
120687	9698	Hemstitcher with Yielding Presser Plate.

## NEEDLE THREADER (Universal)

No.	Plate	Name
121632	9695	Needle Threader (universal).....
121631	9695	" " Hook.....
140157J	9695	" " " Screw.....

## PRESSER FOOT WITH GRADUATED ADJUSTABLE GUIDES

No.	Plate	Name
121717	9695	Presser Foot with 36696.....
35002	9695	" " Extension.....
35003	9695	" " Graduated Adjustable Guide (long, left).....
35004	9695	Presser Foot Graduated Adjustable Guide (long, right).....
35005	9695	Presser Foot Graduated Adjustable Guide (short, right).....
35006	9695	Presser Foot Graduated Adjustable Guide (short, right) flush.....
35135	9695	Presser Foot Graduated Adjustable Guide Clamp.....
35206	9695	Presser Foot Graduated Adjustable Guide Clamp Lever.....
337J	9695	Presser Foot Graduated Adjustable Guide Clamp Screw.....
36696	9695	Presser Foot Graduated Adjustable Guide Clamp Steady Pin.....
121718	9695	Presser Foot with Extension and Gradu- ated Adjustable Guides complete, Nos. 337J, 35002 to 35006, 35135, 35206 and 121717.....

## PRESSER FEET

No.	Plate	Name
* 15429	9698	Presser Foot (left toe) for stitching on edge and inserting cord.....
↓ 125035	9698	Presser Foot (right toe) for stitching on edge and inserting cord.....
28831	23854	Presser Foot for darning.....
* 121614	9698	" " with 51282J and 121615, for blind stitch braiding, for soutache braid.....
121615	9698	Presser Foot Braid Guide.....
Note: When ordering No. 121614 or 121615, send sample of braid for which it is required.		
51282J	9698	Presser Foot Braid Guide Screw.....
36058	9698	" " with 665B and 36059, for blind stitch cording, to turn small curves.....

No.	Plate	Name
36059	9698	Presser Foot Cord Guide.....
Note: When ordering No. 36058 or 36059, send sample of cord for which it is required.		
665B	9698	Presser Foot Cord Guide Screw.....
↙ 36067	9698	" " for braiding, for art work, for braid 1/16 in. to 3/16 in. wide.
Note: When ordering No. 36067, state the size or send a sample of braid for which it is required.		
25978	9698	Presser Foot (single toe) for gathering.
↙ 121441	9698	" " (double toe) for gathering.

## QUILTER

No.	Plate	Name
35932	9698	Quilter.....

## RUFFLER SHIRRING PLATE (Universal)

No.	Plate	Name
121170	23858	Ruffler Shirring Plate (universal) with 51395W.....
51395W	23858	Ruffler Shirring Plate Thumb Screw.....

## UNDER BRAIDER

No.	Plate	Name
121547	9695	Under Braider.....
25637	9695	" " Foot.....

## SPECIAL ATTACHMENTS

FOR COMPONENT PARTS OF THESE ATTACHMENTS,  
REFER TO FORM 19385, LIST OF PARTS FOR SINGER  
FASHION AIDS.

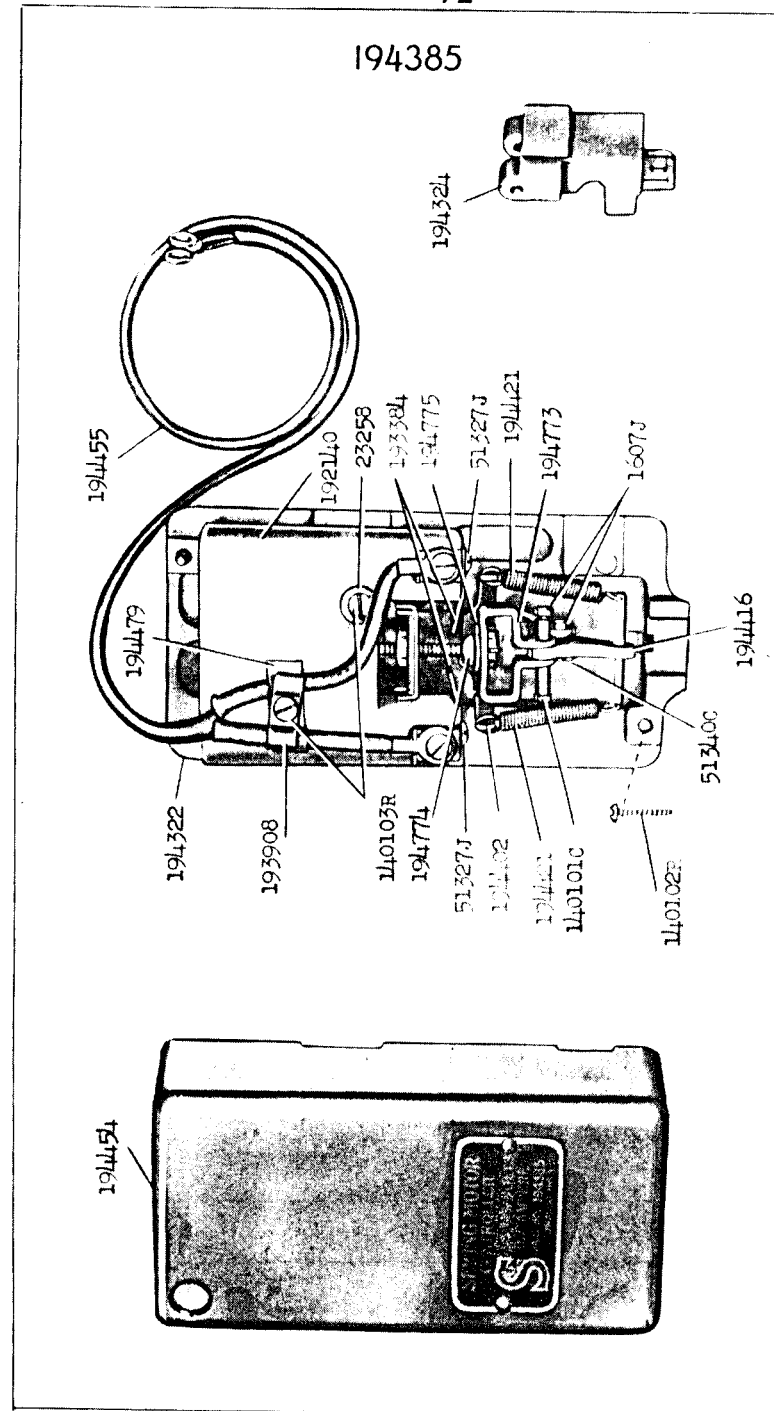
No.	Plate	Name
121795	-----	Buttonhole Attachment complete.....
121094	-----	Darning Foot (spring) complete.....
26538	-----	Embroidery Attachment complete for one thread.....
35505	-----	Embroidery Attachment complete for two threads.....
121387	-----	Hemstitching and Picoting Attachment complete.....
121634	-----	Needle Threader and Seam Ripper complete
121255	-----	Singercraft Fagoter complete.....
121079	-----	Singercraft Guide complete.....
35985	-----	Tubular Trimming Attachment complete....
121706	-----	Zigzag Attachment (adjustable) complete.

Genuine Singer Needles should be used  
in Singer Machines.  
These Needles and their Containers  
are marked with the  
Company's Trade Mark "SIMANCO." 1

Needles in Containers marked  
"For Singer Machines"  
are not Singer made needles. 2

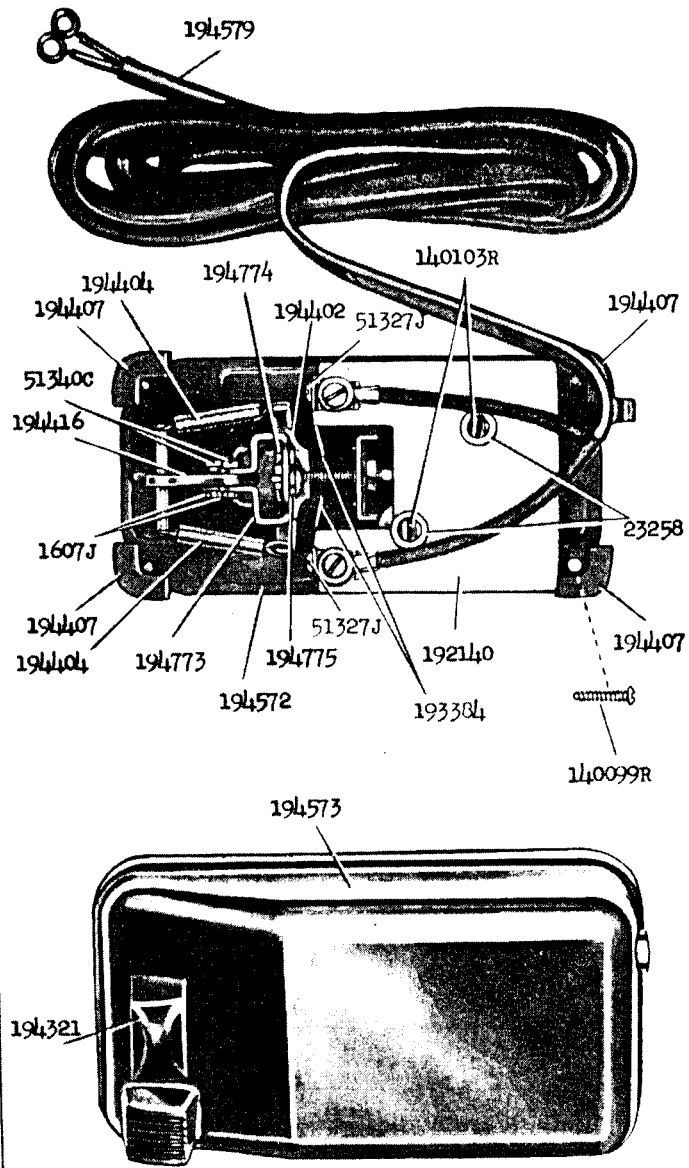
20212 - 1/2

194385

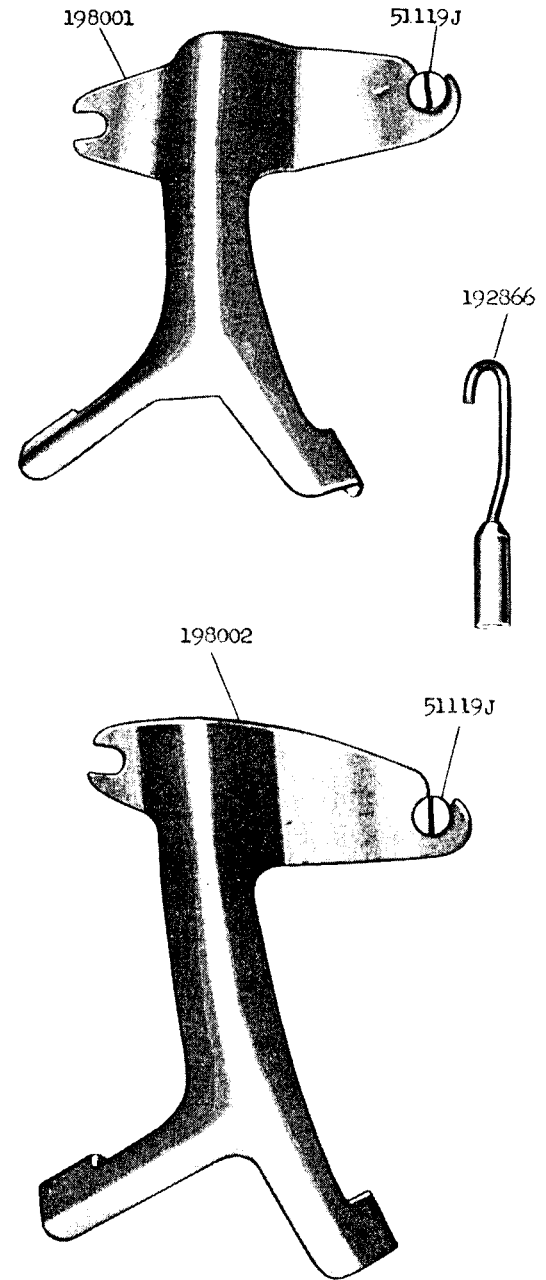


20210 - 1/2

194588

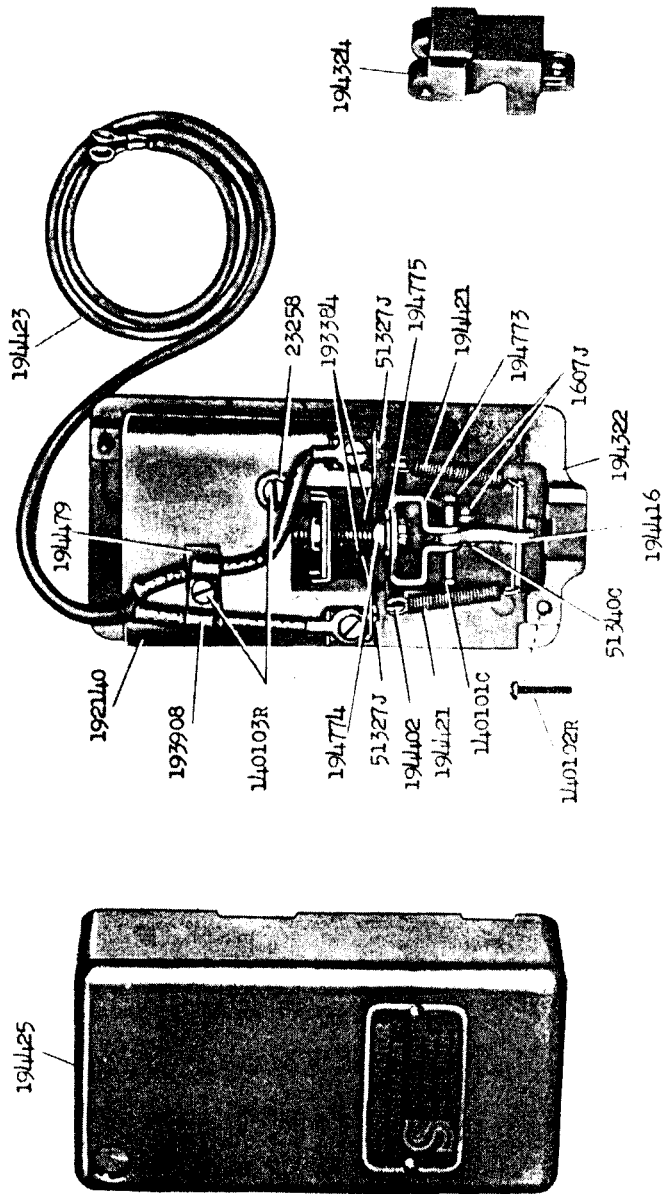


20213 - 2/3



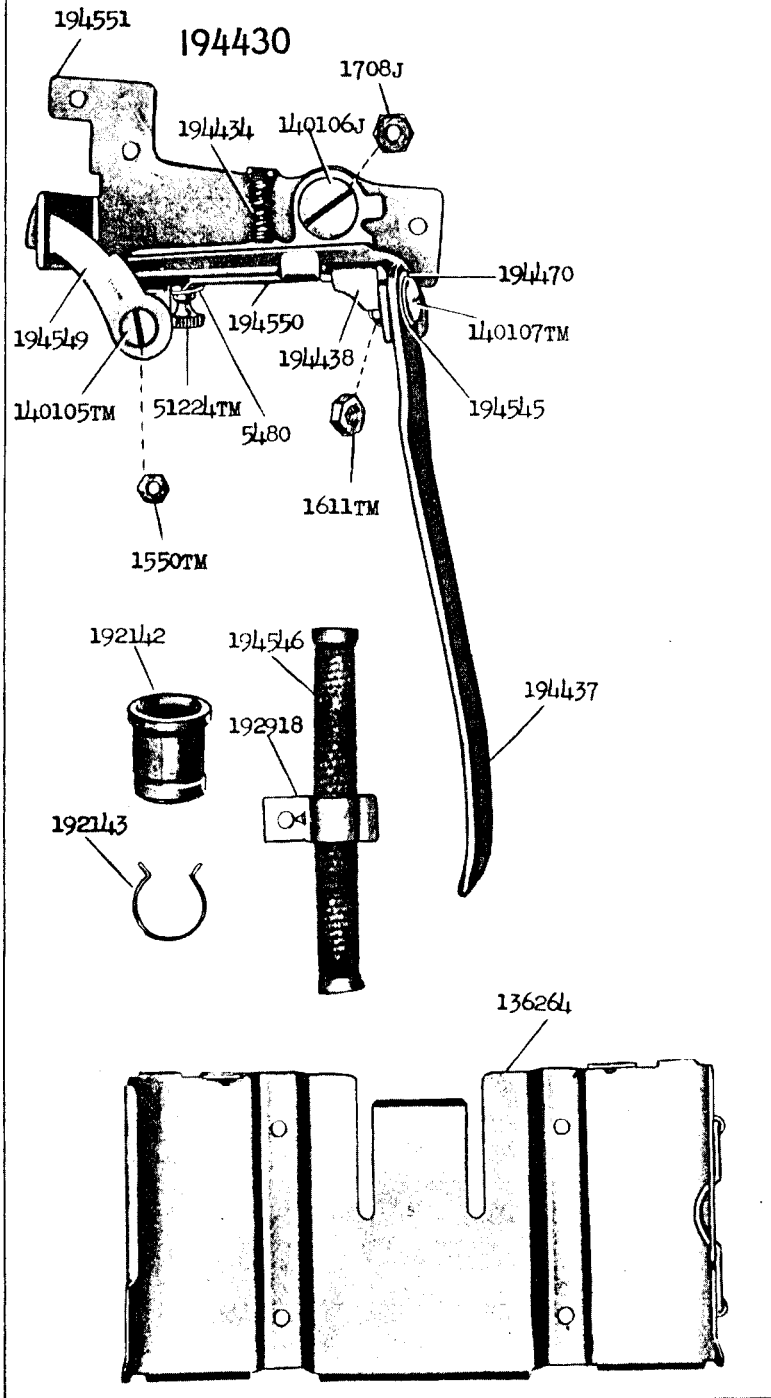
20214 - 1/2

194382

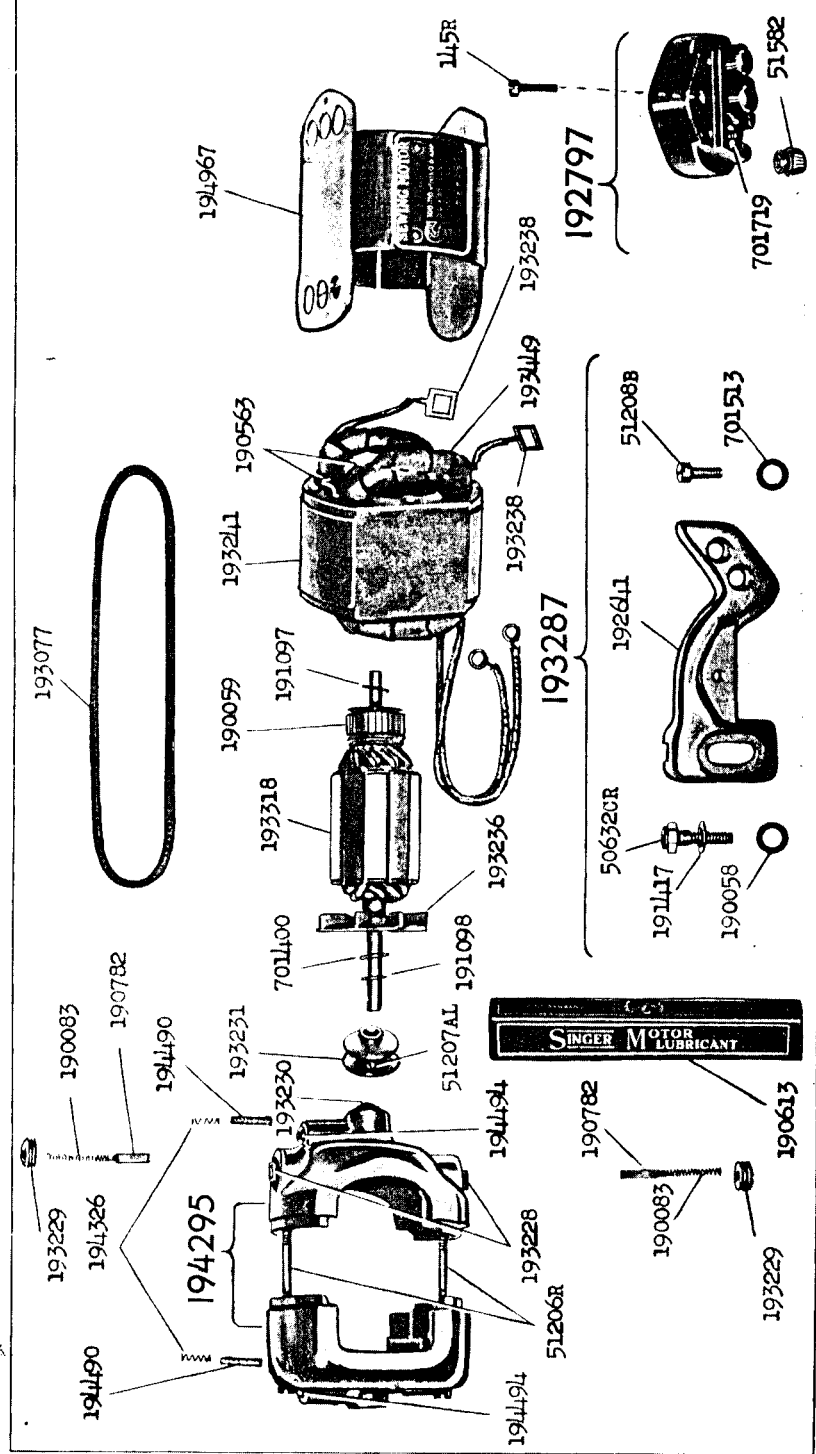
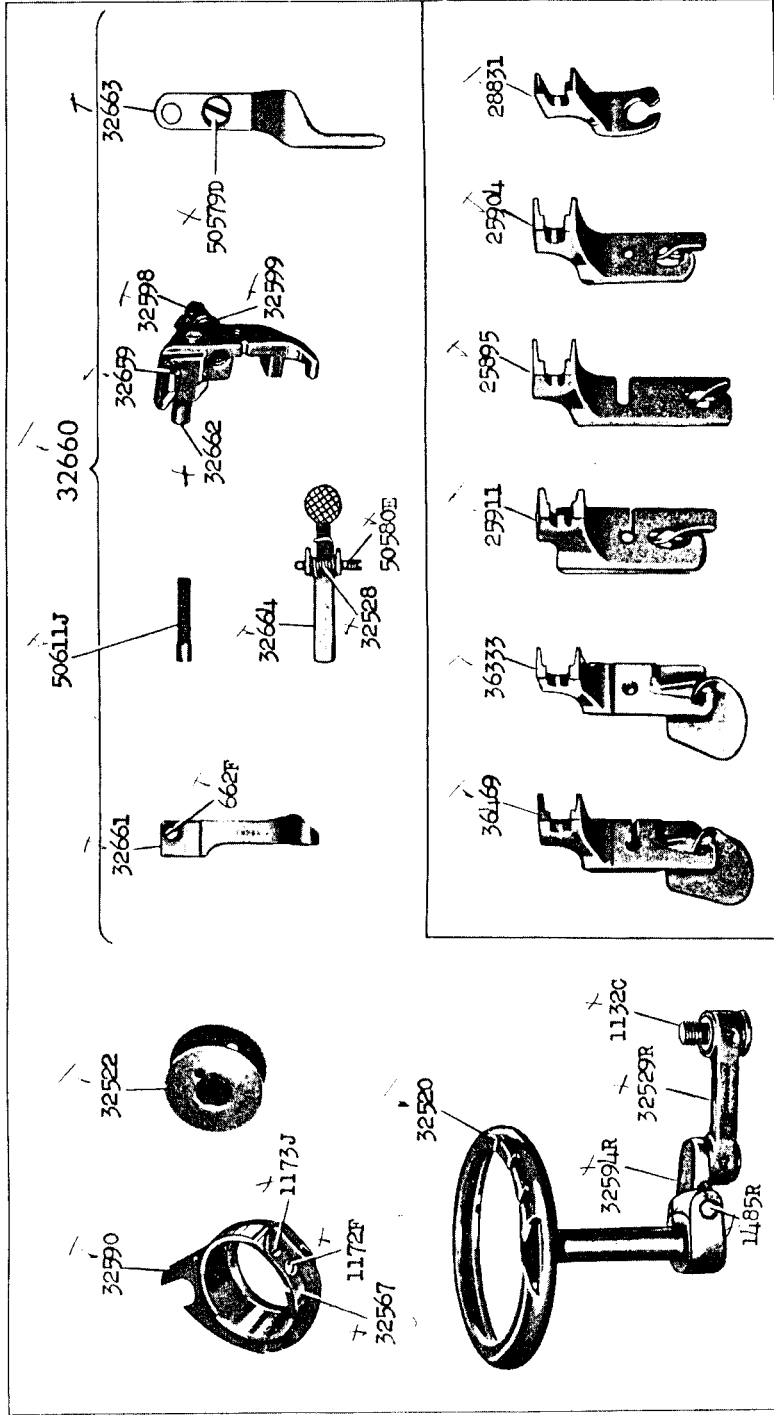


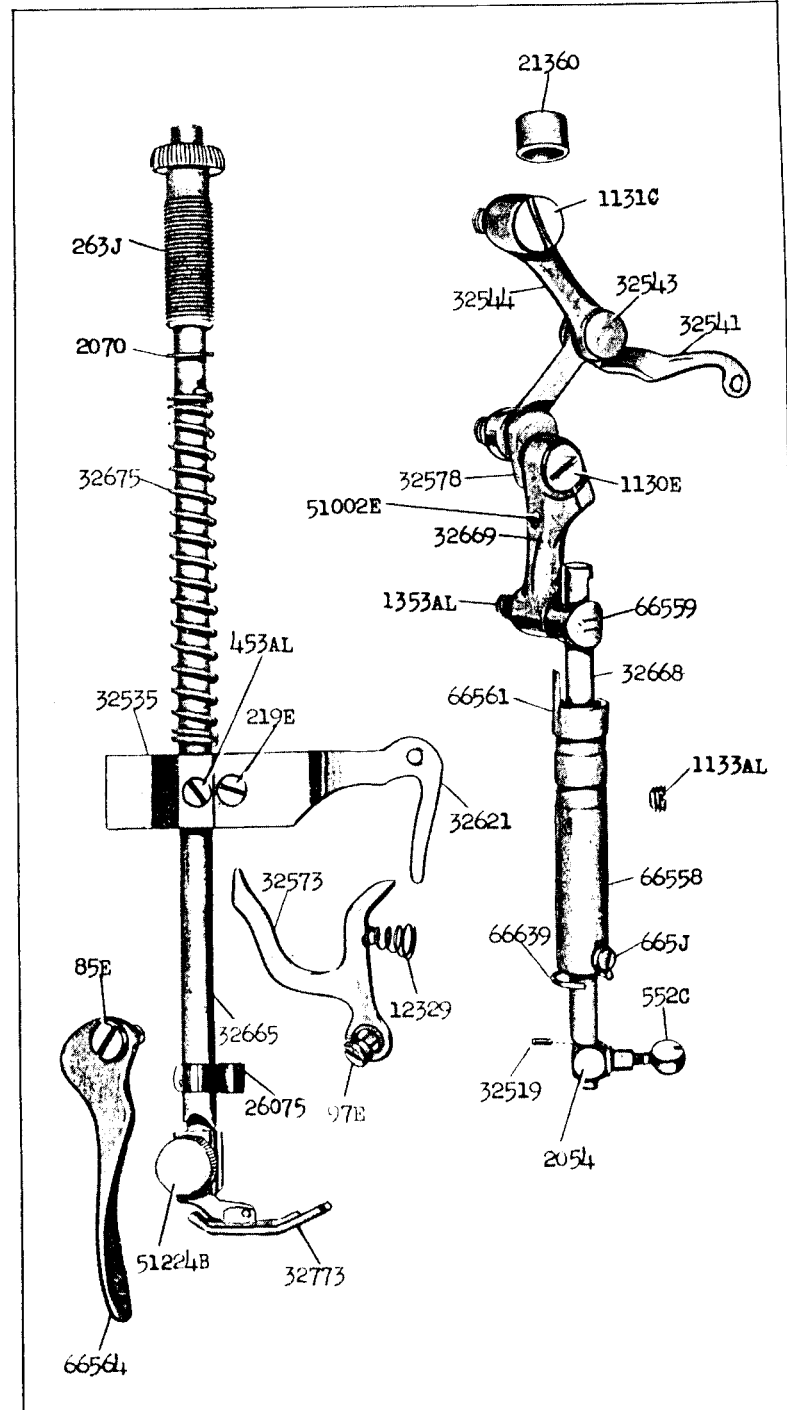
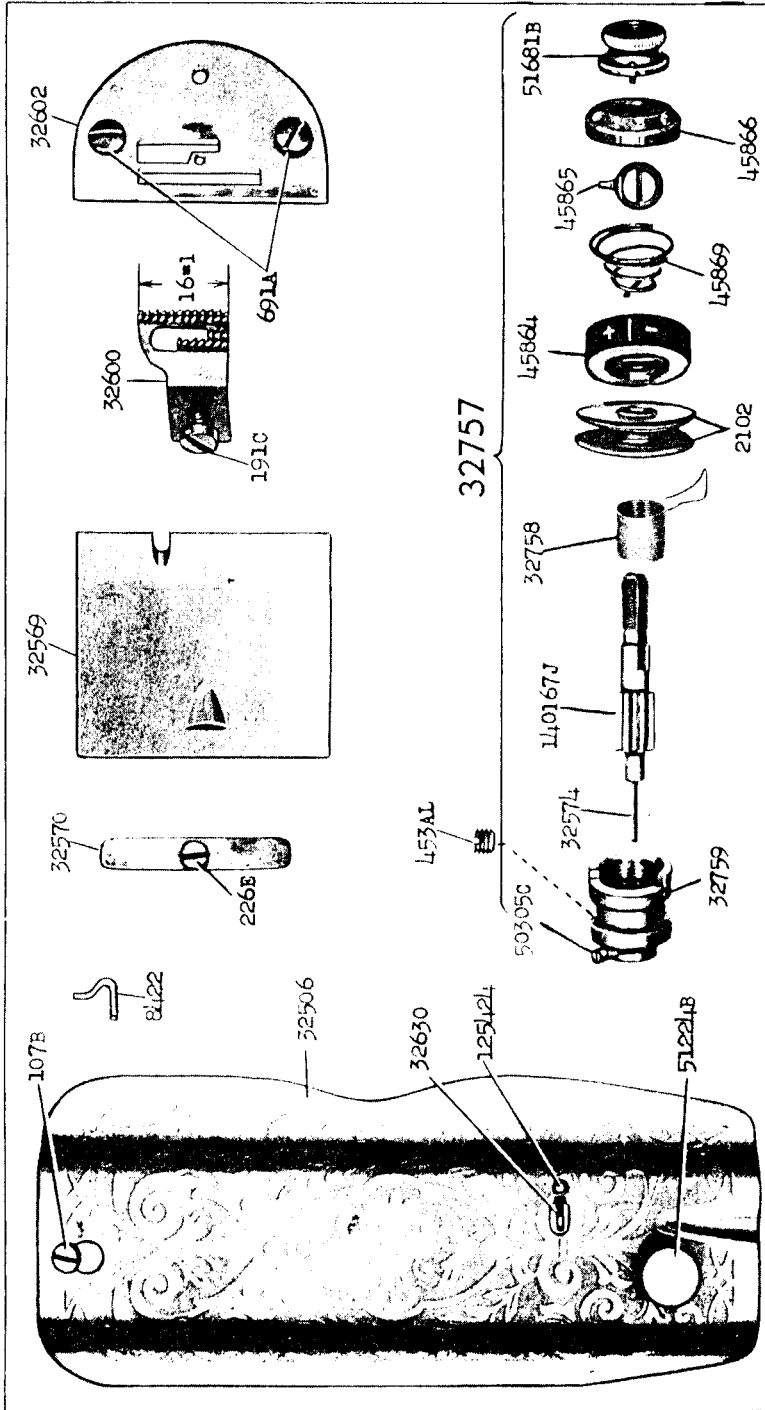
23856 - 1/2

194430

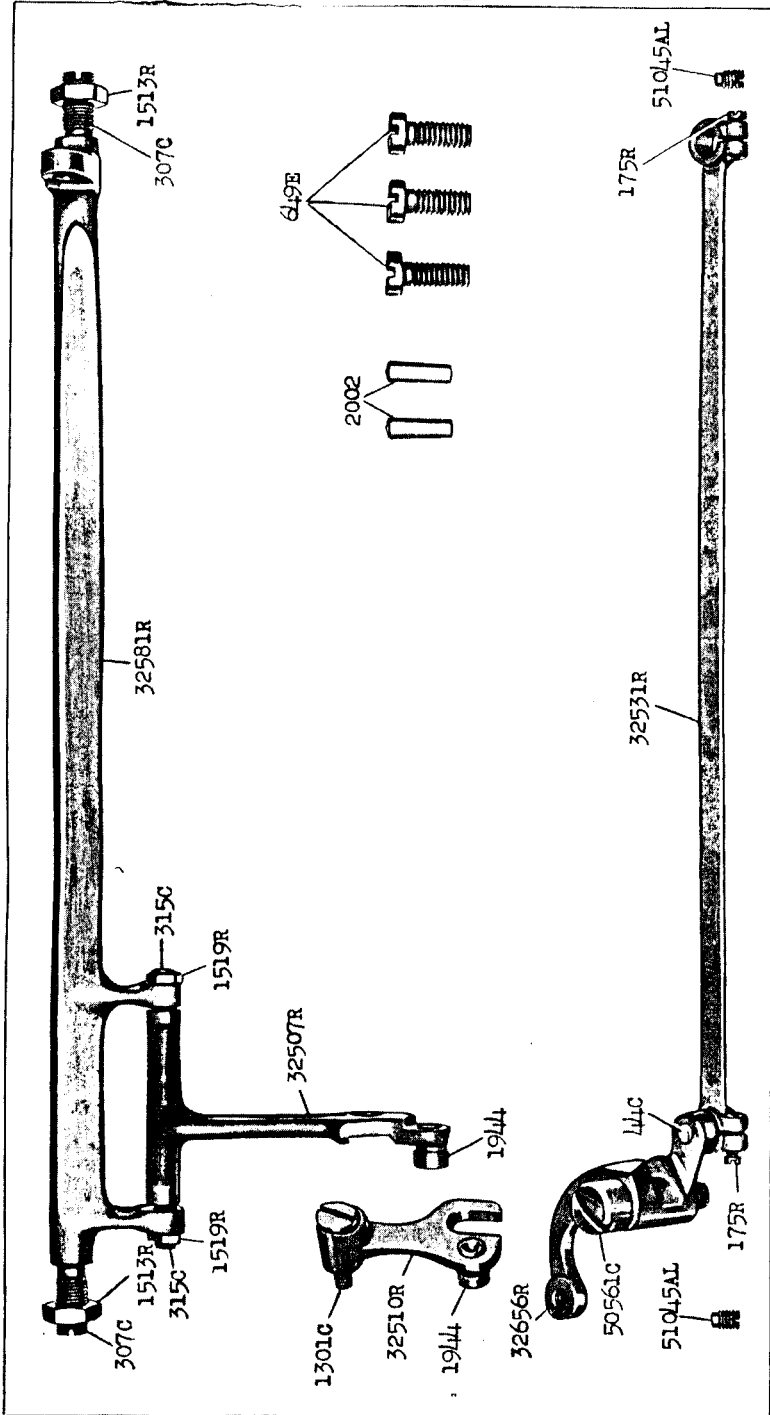




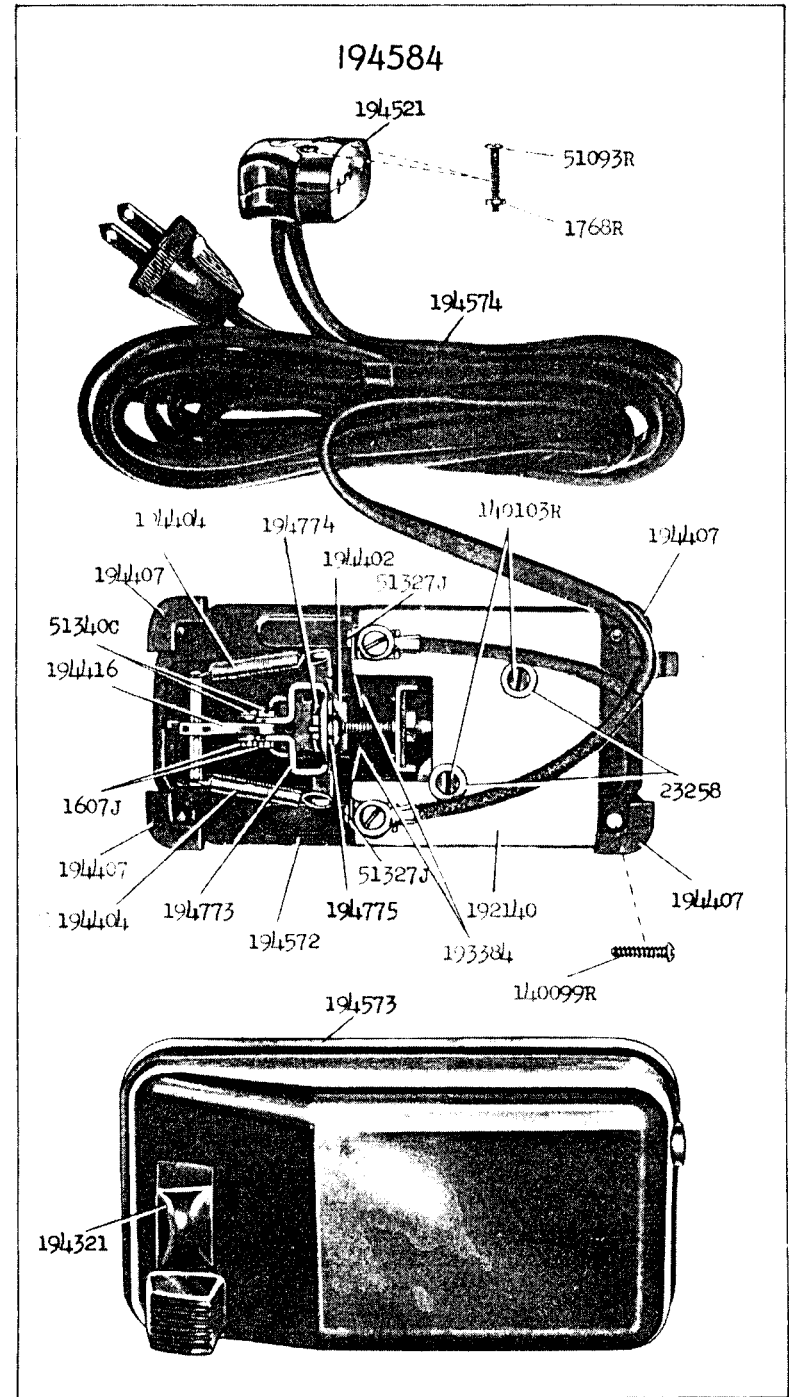




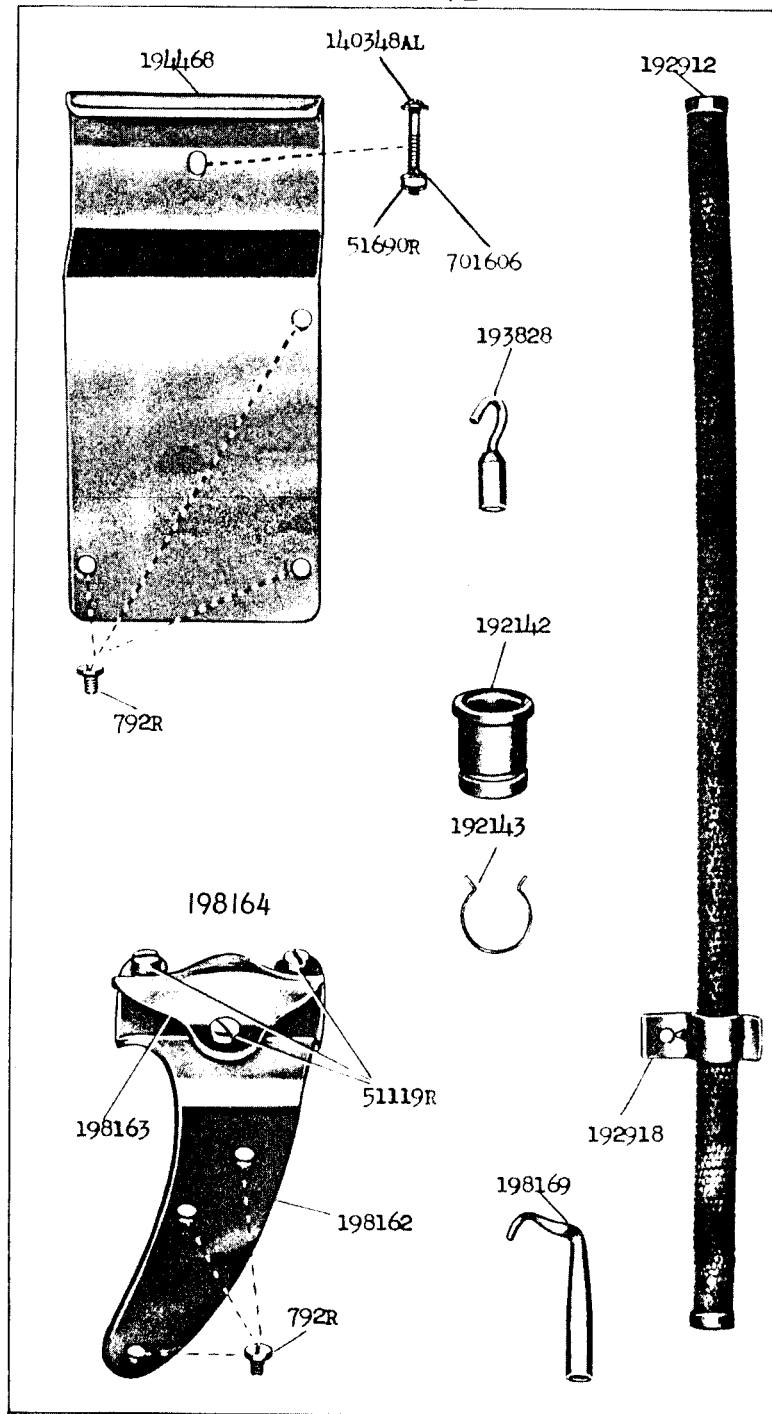
23851 - 1/2



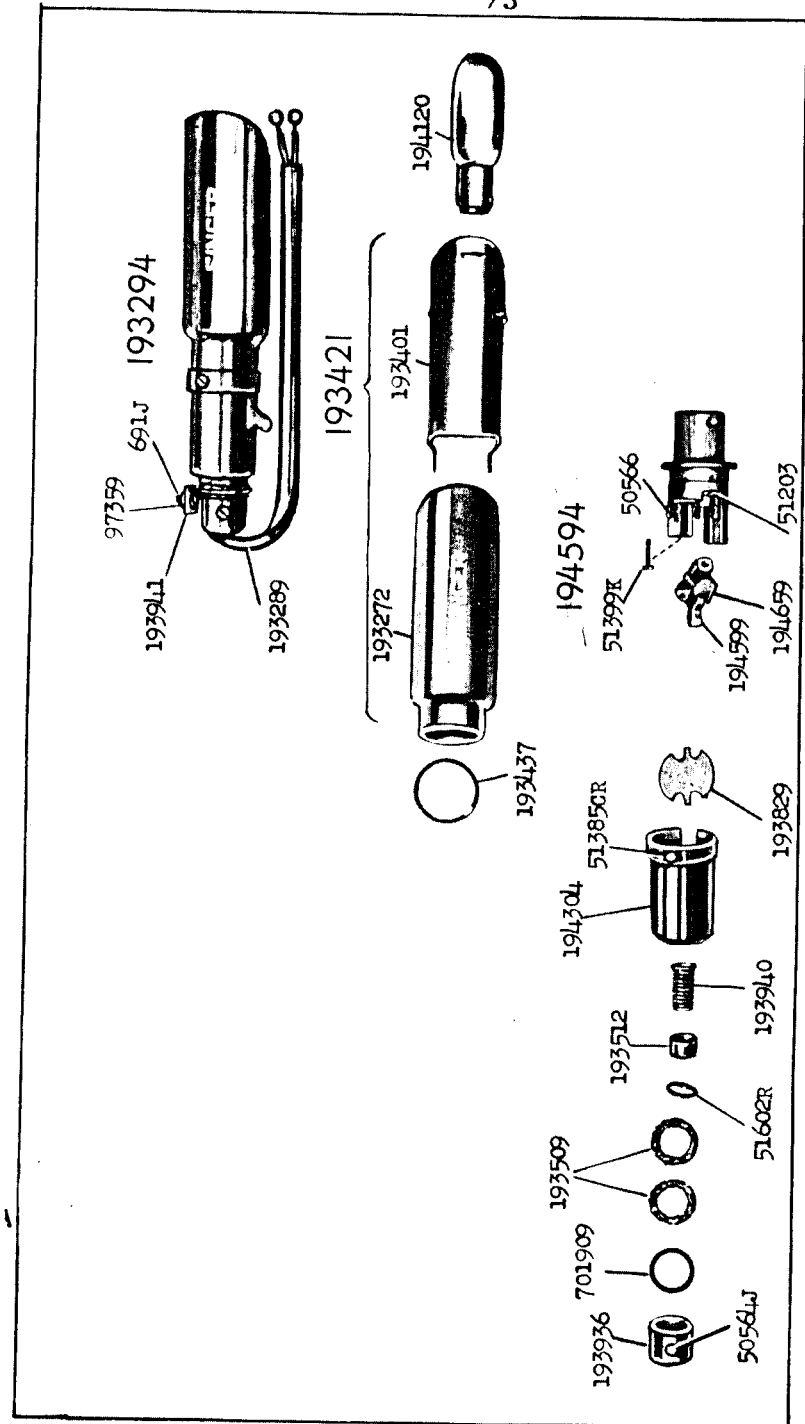
21378 - 1/2



20215 - 1/2



23857 - 1/3



32769

