

Singer 69-5
Singer 69-6
Singer 69-7
Singer 69-8
Singer 69-9
Singer 69-10
Singer 69-11
Singer 69-12
Singer 69-12
Singer 69-14
Singer 69-15
Singer 69-16
Singer 69-17
Singer 69-18
Singer 69-26

Form 19489
(Rev. 155)
Printed in U.S.A.

Parts Department

69 SV 117

~~117~~ *31 st. 55467*

LIST *Feed Cam*
OF
PARTS



SINGER
MACHINES
Nos. 69-5 to 69-18
and 69-26

THE SINGER MANUFACTURING COMPANY

List of Parts for Machine No. 69-118

Same as Machine No. 69-6 with the following exceptions:--- 20238

Less Parts

17712 Button Clamp Pressure Spring
17898 " " (Universal) Complete
55378 Feed Across Connection 55376 with 50598C and 55381
18396 Feed Cam
62155 " " Shaft
55297 " Regulator Bracket 18369 with 17742, 17745, 18356 and 18357

More Parts

39241 Button Clamp Pressure Spring
63928 " " (universal) complete, Nos. 1180J, 1181J, 1182J, 1183J, 17717 to 17719, 39236, 39239, 39242, 39244 or 39246, 39248 or 39247, 39248, 50237K, 63927 and two each 229J and 1183J
Ser. 151407 Feed Across Connection Ser. 151406 with 50598C and 55381
Ser. 151412 Feed Across Lever Complete Ser. 151411 with Ser. 151413 and two 50375
59723 Feed Across Lever Extension Position Arm Support
9525 Feed Across Lever Extension Position Arm Support Washer
1404 Feed Across Lever Extension Position Arm Support Screw
Ser. 155860 Feed Cam with two each 1192C, 17874 & four 190D

Rec. Rev. Pidd

INSTRUCTIONS FOR OILING

To ensure easy running and prevent unnecessary wear of the parts which are in movable contact, the machine requires oiling and when in continuous use, "TYPE B" or "TYPE D" OIL, sold by Singer Sewing Machine Company, should be applied at least twice each day to all oil holes marked "OIL", as instructed in Form 8396.

"TYPE D" OIL should be used when an oil is desired which will produce a minimum of stain on fabrics, even after a long period of storage.

Copyright, U. S. A., 1940, 1947 and 1955
by The Singer Manufacturing Company
All Rights Reserved for all Countries

I N D E X

	Page
Attachments and Accessories.....	30
Bobbin Winders.....	30
Button Spacing Gauges.....	31
Clamp for Hooks and Eyes.....	31
Eye and Finger Guard.....	32
Machine No. 69-5.....	7
Machine No. 69-6.....	14
Machine No. 69-7.....	15
Machine No. 69-8.....	16
Machine No. 69-9.....	17
Machine No. 69-10.....	18
Machine No. 69-11.....	19
Machine No. 69-12.....	20
Machine No. 69-13.....	21
Machine No. 69-14.....	22
Machine No. 69-15.....	23
Machine No. 69-16.....	24
Machine No. 69-17.....	26
Machine No. 69-18.....	27
Machine No. 69-26.....	28
Numerical List of Parts.....	35
Starting Lever and Foot Lifter Parts.....	32
Starting Lever Rock Shafts.....	33
Table Belt Guide.....	33
Thread Unwinder.....	34

INSTRUCTIONS FOR ORDERING

In ordering from this list, use **ONLY** the part **NUMBER** in the **FIRST** column.

The number stamped on a Sewing Machine Part is in every case the number of the single part only.

Every combination of parts sent out as such has its specific number, which, although not stamped on the parts, must be used when ordering the combination.

Each number always indicates the **SAME PART** in whatever list it appears, or for whatever machine.

The letters after some of the numbers indicate the style of finish only, as follows:

- A—Hardened, Polished, Nickel Plated and Buffed
- A.A—Buffed and Chromium Plated
- A.B—Hardened, Polished, Buffed and Chromium Plated
- A.C—Brown Baking Enamel Finish
- A.D—Gray Baking Enamel Finish
- A.E—Hardened, Bright Rumbled and Nickel Plated
- A.F—Hardened, Bright Rumbled, Nickel Plated, Bright Rumbled and Chromium Plated
- A.G—Alumilite, Plain
- A.H—Alumilite, Dyed
- A.J—Polished, Nickel Plated and Chromium Plated
- A.K—Hardened, Polished, Nickel Plated and Chromium Plated
- A.L—Heat Treated for Toughness
 - B—Polished, Nickel Plated and Buffed
 - C—Hardened Only
- C.R—Hardened and Merlized
 - D—Polished Only
 - E—Soft, Not Polished
 - F—Hardened and Polished
- F.J—Hardened, Polished and Nickel Plated
 - G—Bright Rumbled and Nickel Plated
- H—Blued
- J—Nickel Plated Only
- K—Hardened and Nickel Plated
- L—Brass Plated
- M—Oxidized
- N—Japanned, Dull
- P—Japanned, Bright
- P.P—Wrinkle Finish
- R—Merlized
- S—Cadmium Plated
- T—Copper Plated
- T.A—Hardened, Polished, Copper and Nickel Plated and Buffed
- T.B—Copper and Nickel Plated and Polished
- T.J—Copper and Nickel Plated Only
- T.K—Hardened, Copper and Nickel Plated
- T.L—Copper and Brass Plated
- T.M—Copper Plated and Oxidized

INSTRUCTIONS FOR ORDERING—Continued

- U—Zinc Plated
- V—Silver Plated
- W—Polished and Nickel Plated
- X—Black Oxide, for Iron and Steel
- X.C—Hardened and Black Oxide, for Iron or Steel
- Y—Black Nickel Plated Only
- Z—Chromium Plated
- Z.A—Hardened, Polished, Nickel Plated, Buffed and Chromium Plated
- Z.B—Polished, Nickel Plated, Buffed and Chromium Plated
- Z.C—Hardened and Chromium Plated
- Z.D—Polished and Chromium Plated
- Z.G—Bright Rumbled, Nickel Plated, Bright Rumbled and Chromium Plated
- Z.J—Nickel and Chromium Plated
- Z.T—Copper and Chromium Plated

These letters **MUST BE USED** when they appear in the list; and **AFTER** the number as in the list.

In this series:

1 to 1500, 50001 to 51500 and 140001 to 142000 are Screw Numbers

1501 to 1800 and 51501 to 51800 are Nut Numbers

1801 to 2000 and 51801 to 52000 are Roller Numbers

2001 to 50000 and 52001 to 140000 and 142001 to 190000 are Sewing Machine Parts, 190001 and upward are numbers of Electrical Parts.

The figures in the second column refer only to the plates, illustrating the parts, and are **NOT TO BE USED** in ordering.

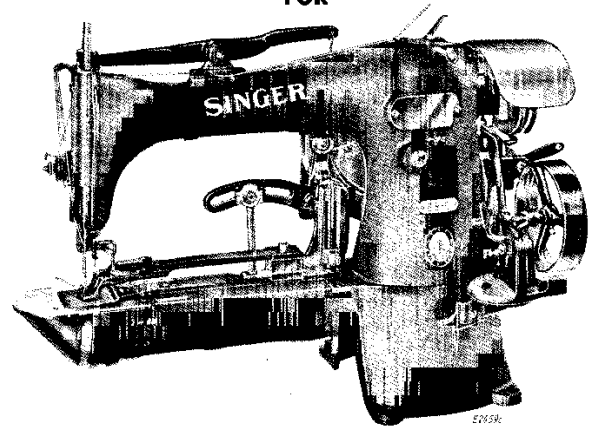
Parts marked with an asterisk (*) are furnished only when repairs are made at factory.

SINGER Needles should be used
in **SINGER** Machines
These Needles and their Containers
are marked with the
Company's Trade Mark "SIMANCO."^{**} 1

Needles in Containers marked
"FOR SINGER MACHINES"
are **NOT SINGER** made needles. 2

LIST OF PARTS COMPLETE

FOR



MACHINE No. 69-5

FOR SEWING TWO OR FOUR HOLE FLAT BUTTONS OR BAR BUTTONS. MAKES CROSSED STITCHES IN FOUR-HOLE BUTTONS AND CAN BE ADJUSTED FOR TWO-HOLE AND BAR BUTTONS. MAKES 18 CROSS AND 3 TYING STITCHES. SPEED UP TO 1000, DEPENDING ON MATERIAL USED AND OPERATIONS PERFORMED.

SINGER Needles should be used in **SINGER** Machines. These Needles and their Containers are marked with the Company's Trade Mark "SIMANCO.**" 1

Needles in Containers marked "FOR SINGER MACHINES" are NOT **SINGER** made needles. 2

No.	Plate	Name
*55405		Arm with 17844 and two 164E.....
4389	23509	Arm Dowel Pin (2).....
4448	23509	Arm Oil Tube, for intermediate bearing.....
880E	23509	Arm Screw (3).....
17702	23509	Arm Shaft.....
17703	23509	Arm Shaft Bushing (back).....
50333AL	23509	Arm Shaft Bushing (back) Adjusting Screw.....
1520E	23509	Arm Shaft Bushing (back) Adjusting Screw Nut.....
124674	23509	Arm Side Cover.....
190J	23509	Arm Side Cover Screw (2).....
18498	23509	Belt Cover.....
39290	23509	Belt Cover Bracket with 184E and 17741.....
184E	23509	Belt Cover Bracket Screw Stud.....
17741	23509	Belt Cover Bracket Stud.....
217J	23509	Belt Cover Screw (2).....
39222	24311	Belt Shifter.....
63976	24311	Belt Shifter Clamp.....
140366J	24311	Belt Shifter Clamp Screw (2).....
17706	23516	Button Clamp (left) with 17723, for 17898.....
17707	23516	Button Clamp (right) with 17723, for 17898.....
17899	23517	Button Clamp (left) with 17723, for 17904.....
17900	23517	Button Clamp (right) with 17723, for 17904.....
39238	23517	Button Clamp (left) with 9311 and 17723, for 63928.....
39239	23517	Button Clamp (right) with 9311 and 17723, for 63928.....
17901	23516	Button Clamp Arm with 17714, 23227 and 68799 for 17898 and 17904.....

PARTS FOR MACHINE NO. 69-5

No.	Plate	Name
63927	23517	Button Clamp Arm with 17714 and 68799 for 63928.....
17710	23516	Button Clamp Arm Hinge Plate.....
1176X	23516	Button Clamp Arm Hinge Plate Screw.....
68799	23516	Button Clamp Arm Hook for 17901 and 63927 (2).....
1175X	23516	Button Clamp Hinge Screw (2).....
17708	24308	Button Clamp Lifter with 17866.....
190J	24308	Button Clamp Lifter Screw.....
17712	23516	Button Clamp Pressure Spring for 17898 and 17904.....
39241	Button Clamp Pressure Spring for 63928.....
17713	23516	Button Clamp Pressure Spring Bracket.....
1177X	23516	Button Clamp Pressure Spring Bracket Screw.....
17714	23516	Button Clamp Pressure Spring Guide Block.....
1178X	23516	Button Clamp Pressure Spring Screw.....
20437	23516	Button Clamp Pressure Spring Screw Washer.....
17716	23516	Button Clamp Spreader for 17898 and 17904.....
39242	23517	Button Clamp Spreader for 63928.....
17717	23516	Button Clamp Spreader Lever.....
50237K	23516	Button Clamp Spreader Lever Hinge Screw.....
1180X	23516	Button Clamp Spreader Lever Locking Thumb Screw.....
17718	23516	Button Clamp Spreader Lever Locking Thumb Screw Washer.....
1182X	23516	Button Clamp Spreader Screw.....
17719	23516	Button Clamp Spreader Spring.....
1181X	23516	Button Clamp Spreader Spring Screw.....
17720	23516	Button Clamp Spreader Steady Pin (2).....
17721	23516	Button Clamp Spring, for flat buttons, for 17898.....
17938	23516	Button Clamp Spring for stud back buttons, for 17898.....
17902	23517	Button Clamp Spring, for flat buttons, for 17904.....
17939	23517	Button Clamp Spring, for stud back buttons, for 17904.....
39244	23517	Button Clamp Spring, (left) for flat buttons, for 63928.....
39245	23517	Button Clamp Spring, (right) for flat buttons, for 63928.....
39246	23517	Button Clamp Spring, (left) for stud back buttons, for 63928.....
39247	23517	Button Clamp Spring (right) for stud back buttons, for 63928.....
39340	Button Clamp Spring for 39341.....
39341	Button Clamp Spring 39340 with 39342, for flat or stud back buttons, for 17904.....
39342	Button Clamp Spring Plate.....
236X	23516	Button Clamp Spring Screw for 17898 and 17904.....
229X	23517	Button Clamp Spring Screw for 63928 (2).....
23227	23516	Button Clamp Spring Steady Pin for 17901.....
9311	23517	Button Clamp Spring Steady Pin for 39238 and 39239 (2).....
17722	23516	Button Clamp Stop with two 17720, for 17898.....
17903	23517	Button Clamp Stop with two 17720, for 17904.....
39248	23517	Button Clamp Stop with two 17720, for 63928.....
1183X	23516	Button Clamp Stop Screw.....
17723	23516	Button Clamp Stud (2).....
17898	23516	Button Clamp (universal) complete, for 14 to 36 ligne buttons, Nos. 236X, 1180X, 1181X, 1182X, 1183X, 17706, 17707, 17716, 17717, 17718, 17719, 17721 or 17938, 17722, 17901, 50237K and two 1175X.....
17904	23517	Button Clamp (universal) complete, for 26 to 46 ligne buttons, Nos. 236X, 1180X, 1181X, 1182X, 1183X, 17716, 17717, 17718, 17719, 17899, 17900, 17901, 17902 or 17939, 17903, 50237K and two 1175X.....
63928	23517	Button Clamp (universal) complete, for 10 to 50 ligne thin buttons, Nos. 1180X, 1181X, 1182X, 1183X, 17717, 17718, 17719, 39238, 39239, 39242, 39244 or 39246, 39245 or 39247, 39248, 50237K, 63927 and two each 229X and 1175X.....
4292	23509	Crank Connecting Rod with 125044 and two 145E.....
145E	23509	Crank Connecting Rod Cap Screw (2).....
375C	23509	Crank Connecting Rod Hinge Screw.....

PARTS FOR MACHINE NO. 69-5

No.	Plate	Name
1518E	23509	Crank Connecting Rod Hinge Screw Nut.....
125044	23509	Crank Connecting Rod Oil Pad (wick).....
*55407	Cylinder.....
18388	23516	Cylinder Block.....
1300X	23516	Cylinder Block Screw.....
18427	24312	Cylinder End Cover with 18428, 18444 and three 4604.....
18428	24312	Cylinder End Cover Bracket.....
18444	24312	Cylinder End Cover Bracket Hinge Pin.....
4604	24312	Cylinder End Cover Bracket Rivet (3).....
18379	24312	Cylinder End Cover Spring.....
217J	24312	Cylinder End Cover Spring Screw.....
17724	8593	Face Plate.....
63736	Face Plate 17724 with 2105.....
17725	8593	Face Plate complete, Nos. 448AL, 2107, 2127, 56791, 63736 and two 233J.....
164D	8593	Face Plate Screw.....
2107	8593	Face Plate Thread Guard.....
233J	8593	Face Plate Thread Guard Screw.....
55376	23520	Feed Across Connection with four 1057AL.....
55378	Feed Across Connection 55376 with 50598C and 55381.....
1057AL	23520	Feed Across Connection Cap (lower) Screw (2).....
1057AL	23520	Feed Across Connection Cap (upper) Screw (2).....
18356	23520	Feed Across Regulator 1952.....
50598C	23520	Feed Across Regulator Ball Screw Stud.....
1676C	23520	Feed Across Regulator Ball Screw Stud Nut.....
17738	23520	Feed Across Regulator Ball Screw Stud Nut Washer.....
18357	23520	Feed Across Regulator Hinge Stud.....
446AL	23520	Feed Across Regulator Hinge Stud Set Screw (2).....
1952	23520	Feed Across Regulator Roller and Stud.....
18358	23509	Feed Across Shaft.....
18359	23509	Feed Across Shaft Collar with two 200C (2).....
200C	23509	Feed Across Shaft Collar Set Screw (4).....
18360	23509	Feed Across Shaft Crank (back) with 160E and 200C.....
55381	23520	Feed Across Shaft Crank (back) Ball Stud.....
200C	23509	Feed Across Shaft Crank (back) Ball Stud Set Screw.....
160E	23509	Feed Across Shaft Crank (back) Clamping Screw.....
18362	23509	Feed Across Shaft Crank (front) with 160E and 18363.....
160E	23509	Feed Across Shaft Crank (front) Clamping Screw.....
18363	23509	Feed Across Shaft Crank (front) Stud.....
18364	23516	Feed Across Shaft Crank (front) Stud Slide Block.....
18395	23486	Feed Cam with two each 1192C 17874 and four 190J.....
18415	23509	Feed Cam Driving Worm with 1441AL and 1442C.....
1442C	23509	Feed Cam Driving Worm Position Screw.....
1441AL	23509	Feed Cam Driving Worm Set Screw.....
17797	23486	Feed Cam Driving Worm Wheel with 453AL.....
18384	23486	Feed Cam Driving Worm Wheel Pin.....
453AL	23486	Feed Cam Driving Worm Wheel Set Screw.....
18384	23486	Feed Cam Pin.....
1192C	23486	Feed Cam Set Screw (2).....
62155	23486	Feed Cam Shaft.....
62264	Feed Cam Shaft 62155 with 1653C and 17797.....
1653C	23486	Feed Cam Shaft Nut.....
17800	23516	Feed Plate (thin) for flat buttons.....
17923	23516	Feed Plate (thick) for round bottom buttons.....
18365	23516	Feed Plate Carrier Bar with 934J, 1195E, 1221C, 8505, 17743, 18366, 18390, two 55300 and four 17806.....
18366	23516	Feed Plate Carrier Bar Block.....
18367	23516	Feed Plate Carrier Bar Block Cover.....
1221C	23516	Feed Plate Carrier Bar Block Screw.....
55300	23516	Feed Plate Carrier Bar Block Steady Pin (2).....
17805	23516	Feed Plate Carrier Bar Pivot Block.....
1194D	23516	Feed Plate Carrier Bar Pivot Block Screw.....
18390	23516	Feed Plate Carrier Bar Plate.....
934J	23516	Feed Plate Carrier Bar Plate Screw.....

No.	Plate	Name
1654C	23516	Feed Plate Nut.....
17806	23516	Feed Plate Position Stud (4).....
1195E	23516	Feed Plate Screw Stud.....
8505	23516	Feed Plate Screw Stud Rivet.....
17742	23520	Feed Regulator with 1953.....
55486	23520	Feed Regulator Bracket with two each 160J and 446AL.....
55297	Feed Regulator Bracket 55486 with 17742, 17745, 18356 and 18357.....
160J	23520	Feed Regulator Bracket Cap Screw (2).....
8589	23520	Feed Regulator Bracket Dowel Pin (2).....
1177E	23520	Feed Regulator Bracket Screw (2).....
17744	23520	Feed Regulator Hinge Stud.....
17743	23516	Feed Regulator Post.....
1953	23520	Feed Regulator Roller and Screw Stud with 1655C and 37310.....
1655C	23520	Feed Regulator Roller and Screw Stud Nut.....
37310	23520	Feed Regulator Roller and Screw Stud Nut Washer.....
1190C	23520	Feed Regulator Stop Screw.....
17745	23520	Feed Regulator Swivel.....
1191D	23520	Feed Regulator Thumb Screw.....
55458	24312	Knife (needle thread) for 55460.....
55459	24312	Knife (shuttle thread) for 55460.....
55321	24312	Knife (stationary) for 55461.....
50117AL	24312	Knife (stationary) Screw.....
18370	23525	Knife Bar with 18373 and two 17822.....
18371	23525	Knife Bar Cap.....
217J	23525	Knife Bar Cap Screw (2).....
18372	23525	Knife Bar Connection with 17917.....
190J	23525	Knife Bar Connection Screw (2).....
7071	23525	Knife Bar Connection Screw Washer (2).....
17915	23525	Knife Bar Connection Slide Block.....
17917	Knife Bar Connection Slide Block 17915 with 17916.....
17916	23525	Knife Bar Connection Slide Block Stud.....
39297	23525	Knife Bar Driving Lever with 190J, 1420E, 17919 and 39298.....
1382F	23525	Knife Bar Driving Lever Hinge Screw.....
1681C	23525	Knife Bar Driving Lever Hinge Screw Nut.....
39298	23525	Knife Bar Driving Lever Lock Stud.....
17919	23525	Knife Bar Driving Lever Lock Stud Spring.....
190J	23525	Knife Bar Driving Lever Lock Stud Spring Screw.....
1420E	23525	Knife Bar Driving Lever Lock Stud Stop Screw.....
18373	23525	Knife Bar Rack.....
17822	23525	Knife Bar Rack Rivet (2).....
68757	23525	Knife Cam Lever Body.....
68758	Knife Cam Lever Body 68757 with 1255J, 39330 and 39331.....
68759	Knife Cam Lever complete, Nos. 19793 and 68758.....
55468	23525	Knife Cam Lever Bracket with 1396AL.....
8589	23525	Knife Cam Lever Bracket Dowel Pin.....
670E	23525	Knife Cam Lever Bracket Screw (2).....
50029C	23525	Knife Cam Lever Hinge Screw.....
68762	23525	Knife Cam Lever Hinge Screw Bushing with 51140E.....
1396AL	23525	Knife Cam Lever Hinge Screw Bushing Clamping Screw.....
51140E	23525	Knife Cam Lever Hinge Screw Bushing Position Screw.....
51943	23525	Knife Cam Lever Roller and Screw Stud with 1654C.....
1654C	23525	Knife Cam Lever Roller and Screw Stud Nut.....
39330	23525	Knife Cam Lever Slide with 51943.....
1255J	23525	Knife Cam Lever Slide Screw.....
39331	23525	Knife Cam Lever Slide Screw Washer.....
19793	23525	Knife Cam Lever Slide Steady Pin.....
17825	24312	Knife Holder with 17826, 17830 and two 7298.....
55460	Knife Holder 17825 with 1198C, 17829, 55458 and 55459.....
17826	Knife Holder Pinion.....
7298	24312	Knife Holder Pinion Dowel Pin (2).....

No.	Plate	Name
17827	24312	Knife Holder Pinion Stud.....
17888	24312	Knife Holder Pinion Stud Bracket with 17827.....
50018F	24312	Knife Holder Pinion Stud Bracket Screw.....
1698E	24312	Knife Holder Pinion Stud Bracket Screw Nut.....
1198C	24312	Knife Screw.....
17829	24312	Knife Thread Holder.....
17830	24312	Knife Thread Holder Position Pin.....
17831	24308	Needle Bar with 237AL.....
39203	24308	Needle Bar Connecting Link.....
68768	Needle Bar Connecting Link 39203 with 68769.....
377C	24308	Needle Bar Connecting Link Hinge Screw.....
1518E	24308	Needle Bar Connecting Link Hinge Screw Nut.....
68769	24308	Needle Bar Connecting Stud with 1258AL.....
1258AL	24308	Needle Bar Connecting Stud Set Screw.....
39350	23525	Needle Bar Thread Nipper Driving Lever (adjustable) with 39351 and two 335J.....
39351	23525	Needle Bar Thread Nipper Driving Lever Extension.....
335J	23525	Needle Bar Thread Nipper Driving Lever Extension Screw (2).....
1196AL	23525	Needle Bar Thread Nipper Driving Lever Hinge Screw.....
39352	23525	Needle Bar Thread Nipper Driving Lever Spring.....
17834	24308	Needle Bar Thread Nipper Lever with 17835.....
17835	24308	Needle Bar Thread Nipper Lever Bushing.....
1200D	24308	Needle Bar Thread Nipper Lever Hinge Screw.....
39276	24308	Needle Bar Thread Nipper Lever Spring.....
1329J	24308	Needle Bar Thread Nipper Lever Spring Screw.....
17837	23525	Needle Bar Thread Nipper Rod.....
17838	23525	Needle Bar Thread Nipper Rod Adjusting Stud.....
1651E	23525	Needle Bar Thread Nipper Rod Adjusting Stud Lock Nut.....
17839	23525	Needle Bar Thread Nipper Rod Arm with 196AL.....
196AL	23525	Needle Bar Thread Nipper Rod Arm Set Screw.....
17840	23525	Needle Bar Thread Nipper Rod Support.....
190J	23525	Needle Bar Thread Nipper Rod Support Screw (2).....
237AL	24308	Needle Set Screw.....
6022	23509	Oscillating Rock Shaft with 4784.....
55278	Oscillating Rock Shaft complete, Nos. 6022 and 55453.....
55452	23509	Oscillating Rock Shaft Hinge Pin.....
55453	Oscillating Rock Shaft Hinge Pin 55452 with 1513J.....
1513J	23509	Oscillating Rock Shaft Hinge Pin Nut.....
4784	23509	Oscillating Rock Shaft Oil Pad.....
18385	23509	Oscillating Shaft.....
18386	23509	Oscillating Shaft Crank.....
18387	Oscillating Shaft Crank complete, Nos. 237AL, 1519E, 15171 and 18386.....
2049	23509	Oscillating Shaft Crank Pin.....
237AL	23509	Oscillating Shaft Crank Set Screw.....
15170	23509	Oscillating Shaft Crank Slide Block.....
226J	23509	Oscillating Shaft Crank Slide Block Cap Screw.....
12424	23509	Oscillating Shaft Crank Slide Block Cap Screw Washer.....
1035C	23509	Oscillating Shaft Crank Slide Block Screw Stud.....
1519E	23509	Oscillating Shaft Crank Slide Block Screw Stud Nut.....
15171	Oscillating Shaft Crank Slide Block complete, Nos. 226J, 1035C, 12424 and 15170.....
2058	24308	Presser Bar.....
17841	24308	Presser Bar Collar with two 196AL.....
196AL	24308	Presser Bar Collar Set Screw (2).....
17842	24308	Presser Bar Guide Bracket with 453AL.....
453AL	24308	Presser Bar Guide Bracket Set Screw.....
17843	23525	Presser Bar Lifting Lever.....
17844	23525	Presser Bar Lifting Lever Bracket.....
164E	23525	Presser Bar Lifting Lever Bracket Screw (2).....
1201C	23525	Presser Bar Lifting Lever Hinge Screw.....
17845	23525	Presser Bar Lifting Lever Rod.....
39408	Presser Bar Lifting Lever Rod 17845 with 17846.....

No.	Plate	Name
17846	23525	Presser Bar Lifting Lever Rod Chain.....
32675	24308	Presser Bar Spring.....
68784	23509	Pulley (loose) 2 3/4 in. diam.....
68785	Pulley (loose) 68784 with 68786.....
68827	Pulley (loose) 68785 with 68787 (for Agents only).....
68786	23509	Pulley (loose) Ball Bearing.....
68787	23509	Pulley (loose) Spacing Collar.....
51387R	23509	Pulley (loose) Cap Screw.....
200584D	23509	Pulley (loose) Oil Plug Screw.....
68788	23509	Pulley (right) 2 7/8 in. diam.....
68789	Pulley (right) 68788 with 1206C and 17854.....
2022	23509	Pulley (tight) Pin.....
68790	Pulleys (ball bearing) complete, Nos. 51387R, 68785, 68787 and 68789.....
2996	24312	Shuttle Bobbin.....
15140	24312	Shuttle Bobbin Case Latch.....
2973	24312	Shuttle Bobbin Case Latch Lever.....
2974	24312	Shuttle Bobbin Case Latch Lever Fulcrum Pin.....
2975	24312	Shuttle Bobbin Case Latch Spring.....
592E	24312	Shuttle Bobbin Case Latch Stop Screw.....
15141	24312	Shuttle Bobbin Case Hinge, Nos. 2973, 2974 and 15140.....
15277	24312	Shuttle Bobbin Case complete, Nos. 591F, 592E, 2975, 15141 and 15278.....
21562	24312	Shuttle Body.....
591F	24312	Shuttle Tension Regulating Screw.....
15278	24312	Shuttle Tension Spring.....
21561	24312	Shuttle, 1 11/16 in. diam., Nos. 2996, 15277 and 21562.....
68752	23509	Shuttle Driver with two 462AL.....
2049	23509	Shuttle Driver Pin.....
462AL	23509	Shuttle Driver Set Screw (2).....
18411	24312	Shuttle Race Body.....
21623	24312	Shuttle Race Cap.....
662AL	24312	Shuttle Race Cap Screw.....
2523	24312	Shuttle Race Cap Steady Pin.....
18429	24312	Shuttle Race Ring.....
55439	24312	Shuttle Race Ring Spring (2).....
1289D	24312	Shuttle Race Ring Spring Screw (2).....
18430	24312	Shuttle Race (flexible) complete, Nos. 662AL, 2523, 18411, 18429, 21623 and two each 1289D and 55439.....
171AL	24312	Shuttle Race Screw (2).....
17853	24311	Starting Lever.....
1262C	24311	Starting Lever Hinge Screw.....
1662C	24311	Starting Lever Hinge Screw Nut.....
17886	24311	Starting Lever Pitman.....
17854	23509	Stop Cam.....
17855	24311	Stop Cam Interlocking Rod.....
55487	24311	Stop Cam Interlocking Rod Case.....
55488	Stop Cam Interlocking Rod Case 55487 with 18443 and two 193J.....
55489	Stop Cam Interlocking Rod Case 55488 with 63976 and two 140366J.....
55285	Stop Cam Interlocking Rod Case 55489 with 1318J, 17855, 17863, 17864, 39222 and 68739.....
39346	24311	Stop Cam Interlocking Rod Case Bracket.....
55304	Stop Cam Interlocking Rod Case Bracket complete, Nos. 1182J, 1196AL, 1204E, 1254C, 1262C, 1508E, 1662C, 17853, 17859, 17861, 17862, 17873, 39346, 55285, 68820 and two 898J.....
18493	24311	Stop Cam Interlocking Rod Case Bracket 55304 with 39346, 39344 and two 1186E.....
16532	24311	Stop Cam Interlocking Rod Case Bracket Dowel Pin.....
1343E	24311	Stop Cam Interlocking Rod Case Bracket Screw (2).....
1204E	24311	Stop Cam Interlocking Rod Case Hinge Screw.....
17859	24311	Stop Cam Interlocking Rod Case Socket Joint.....

No.	Plate	Name
898J	24311	Stop Cam Interlocking Rod Case Socket Joint Cap Screw (2).....
39343	24311	Stop Cam Interlocking Rod Case Spring (flat).....
50682C	24311	Stop Cam Interlocking Rod Case Spring Adjusting Screw.....
1520E	24311	Stop Cam Interlocking Rod Case Spring Adjusting Screw Nut.....
39344	24311	Stop Cam Interlocking Rod Case Spring Bracket with 1520E and 50682C.....
1186E	24311	Stop Cam Interlocking Rod Case Spring Bracket Screw (2).....
17861	24311	Stop Cam Interlocking Rod Case Stop Stud.....
1254C	24311	Stop Cam Interlocking Rod Case Stop Stud Screw Bushing.....
1508E	24311	Stop Cam Interlocking Rod Case Stop Stud Screw Bushing Lock Nut.....
17862	24311	Stop Cam Interlocking Rod Case Stop Stud Spring.....
18443	24311	Stop Cam Interlocking Rod Case Wearing Block.....
193J	24311	Stop Cam Interlocking Rod Case Wearing Block Screw (2).....
17863	24311	Stop Cam Interlocking Rod Spring.....
17864	24311	Stop Cam Interlocking Rod Stop.....
1318J	24311	Stop Cam Interlocking Rod Stop Screw.....
68739	24311	Stop Cam Interlocking Rod Stop Screw Washer.....
3012	23509	Stop Cam Pin.....
1206C	23509	Stop Cam Screw.....
2102	8593	Tension Disc (2).....
1560C	8593	Tension Regulating Thumb Nut.....
600C	8593	Tension Screw Stud.....
16202	Tension Screw Stud 600C with 1560C.....
448AL	8593	Tension Screw Stud Set Screw.....
2103	8593	Tension Spring.....
2105	8593	Tension Thread Guard.....
56791	8593	Tension complete, Nos. 2103, 2124, 16202 and two 2102.....
18392	23509	Thread Take-up Cam with 446AL.....
3012	23509	Thread Take-up Cam Pin.....
446AL	23509	Thread Take-up Cam Set Screw.....
18393	Thread Take-up Lever with 1822.....
68775	23509	Thread Take-up Lever 18393 with 140414C.....
140414C	23509	Thread Take-up Lever Hinge Screw.....
1822	23509	Thread Take-up Lever Roller and Stud.....
2124	8593	Thread Take-up Spring.....
2127	8593	Thread Take-up Spring Regulator Plate.....
233J	8593	Thread Take-up Spring Regulator Plate Adjusting Screw.....
17865	24308	Thread Wiper Body.....
1207D	24308	Thread Wiper Body Hinge Screw.....
17866	24308	Thread Wiper Body Hook.....
17867	24308	Thread Wiper Body Support.....
641C	24308	Thread Wiper Body Support Set Screw.....
17868	24308	Thread Wiper Body Wire.....
337J	24308	Thread Wiper Body Wire Screw.....
17869	24308	Thread Wiper Body Wire Screw Washer.....
55324	24312	Throat Plate.....
55327	Throat Plate 55324 with 55325 and two 1208J.....
55325	24312	Throat Plate Needle Hole Bushing (large needle hole).....
1208J	24312	Throat Plate Needle Hole Bushing Screw (2).....
55461	24312	Throat Plate complete, Nos. 1698E, 17828, 50018F, 50117AL, 55321, 55327 and 55460.....
691AL	24312	Throat Plate Screw (4).....
68820	Trip Lever (adjustable) complete, Nos. 190J, 68818 and 68819.....
1196AL	24311	Trip Lever Hinge Screw.....
68818	24311	Trip Lever Releaser.....
17873	24311	Trip Lever Spring.....
1182J	24311	Trip Lever Spring Screw.....
68819	24311	Trip Lever Tripper.....
190J	24311	Trip Lever Tripper Adjusting Screw.....
17874	23486	Tripping Point (2).....
190J	23486	Tripping Point Screw (4).....

MACHINE No. 69-6

FOR SEWING ON SMALL BUTTONS ONLY. FOR SHIRTS, WAISTS, UNDERWEAR, ETC. MAKES CROSSED STITCHES IN FOUR HOLE BUTTONS AND CAN BE ADJUSTED FOR TWO HOLE AND BAR BUTTONS; 11 CROSS AND 3 TYING STITCHES.

This machine is the same as the 69-5 Machine, with the following exceptions:

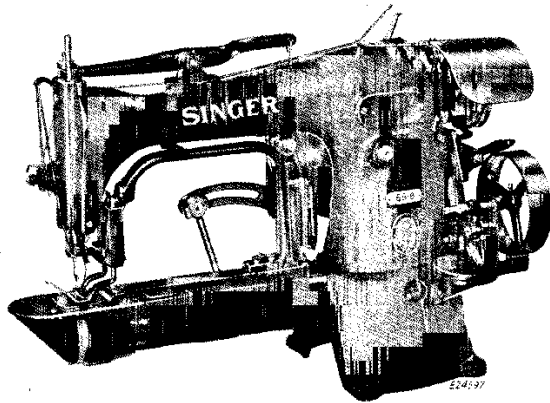
No.	Plate	Name
18396	Feed Cam with two 1192C, three 17874 and six 190J, in place of 18395.....
55328	Throat Plate 55324 with 55326 and two 1208J, in place of 55327.....
55326	24313	Throat Plate Needle Hole Bushing (small needle hole) in place of 55325.....
55462	24313	Throat Plate complete, Nos. 1698E, 17828, 50018F, 50117AL, 55321, 55328 and 55460, in place of 55461.....

MACHINE No. 69-7

FOR SHOE TACKING. MAKES A TACK UP TO 3/8" LONG; 2 STAYING, 9 LONG, 7 CROSS IN CENTER OF TACK AND 3 TYING STITCHES.

This machine is the same as the 69-5 Machine, with the following exceptions:

No.	Plate	Name
63811	8615	Clamp Arm (lower) with two 17992.....
17992	8615	Clamp Arm (lower) Hook (2).....
63812	8615	Clamp Arm (upper).....
39333	8615	Clamp Arm Bracket.....
39336	Clamp Arm Bracket (adjustable) complete, Nos. 129X, 1178X, 1300X, 1654C, 39333, 39334, 39335 and 50048X, in place of 17713.....
129X	8615	Clamp Arm Bracket Adjusting Screw.....
39334	8615	Clamp Arm Bracket Hinge Block.....
1300X	8615	Clamp Arm Bracket Hinge Block Screw, in place of 1177D.....
50048X	8615	Clamp Arm Bracket Hinge Screw (eccentric).....
1654C	8615	Clamp Arm Bracket Hinge Screw Nut.....
17958	24309	Clamp Arm Lifter with 17866, in place of 17708.....
9330	8615	Clamp Arm Pin.....
1178X	8615	Clamp Arm Screw.....
39335	8615	Clamp Arm Screw Plate.....
18490	8615	Clamp complete, Nos. 1654C, 9330, 18365, 18367, 39304, 39336, 63811 and 63812, in place of 17898, 17904 and 63928.....
18397	Feed Cam with 17874 and two each 190J and 1192C, in place of 18395.....
39231	23510	Feed Cam Driving Worm with 1441AL and 1442C, in place of 18415.....
39304	8615	Feed Plate, in place of 17800 and 17923.....
55335	Throat Plate 55324 with 55334 and two 1208J, in place of 55327.....
55334	24314	Throat Plate Needle Hole Bushing, in place of 55325.....
55464	24314	Throat Plate complete, Nos. 1698E, 17828, 50018F, 50117AL, 55321, 55335 and 55460, in place of 55461.....



MACHINE No. 69-8

FOR BARRING POCKETS ON CLOTHING AND OTHER GENERAL BARRING AND TACKING OPERATIONS. MAKES A BAR 5/16" TO 5/8" LONG; 12 STAYING, 27 COVERING AND 3 TYING STITCHES.

This Machine is the same as the 69-5 Machine, with the following exceptions:

No.	Plate	Name
17964	8616	Arch Clamp Foot (left) with 17959.....
17965	8616	Arch Clamp Foot (right) with 17959.....
17958	24309	Arch Clamp Foot Lifter with 17866, in place of 17708.....
17959	8616	Arch Clamp Foot Lifting Stud (2).....
17966	8616	Arch Clamp Foot Plate.....
217X	8616	Arch Clamp Foot Plate Screw (4).....
39302	8616	Arch Clamp Foot Spring.....
17967	8616	Arch Clamp Foot Spring Connection.....
1175X	8616	Arch Clamp Foot Spring Connection Hinge Screw (2).....
217X	8616	Arch Clamp Foot Spring Screw.....
17968	8616	Arch Clamp Frame.....
14079	8616	Arch Clamp Frame Dowel Pin (2).....
1177X	8616	Arch Clamp Frame Screw (2).....
18449	8616	Arch Clamp complete, Nos. 1654C, 17964, 17965, 17966, 17967, 17968, 17970, 18367, 18448, 39302, two each 1175X, 1177X, 14079 and five 217X, in place of 17898, 17904 and 63928.....
*55406	Arm with 17844 and two 164E, in place of 55405.....
55379	Feed Across Connection 55376 with 50598C and 55382, in place of 55378.....
18421	23511	Feed Across Shaft Crank (back) with 160E and 200C, in place of 18360.....
55382	23521	Feed Across Shaft Crank (back) Ball Stud, in place of 55381.....
18407	23507	Feed Cam with 17874 and two each 190J and 1192C, in place of 18395.....
17970	8616	Feed Plate, in place of 17800 and 17923.....
18448	8616	Feed Plate Carrier Bar with 934J, 1195E, 1221C, 8505, 17743, 18366, 18390, two 55300 and four 17806, in place of 18365.....

MACHINE No. 69-9

FOR BARRING IN FINE WORK AND FOR FASTENING BOWS AND OTHER ORNAMENTS UPON SHOES OR GARMENTS. MAKES A BAR 1/8" TO 1/4" LONG; 7 STAYING, 11 COVERING AND 3 TYING STITCHES.

This Machine is the same as the 69-5 Machine, with the following exceptions:

No.	Plate	Name
18431	23518	Arch Clamp Foot (left) with 17959.....
18432	23518	Arch Clamp Foot (right) with 17959.....
17958	24309	Arch Clamp Foot Lifter with 17866, in place of 17708.....
17959	23518	Arch Clamp Foot Lifting Stud (2).....
18433	23518	Arch Clamp Foot Plate.....
217X	23518	Arch Clamp Foot Plate Screw (4).....
39302	23518	Arch Clamp Foot Spring.....
18434	23518	Arch Clamp Foot Spring Connection.....
1175X	23518	Arch Clamp Foot Spring Connection Hinge Screw (2).....
217X	23518	Arch Clamp Foot Spring Screw.....
18435	23518	Arch Clamp Frame.....
14079	23518	Arch Clamp Frame Dowel Pin (2).....
181X	23518	Arch Clamp Frame Screw (2).....
18436	23518	Arch Clamp complete, Nos. 1654C, 18367, 18431, 18432, 18433, 18434, 18435, 18438, 18459, 39302, two each 181X, 1175X, 14079 and five 217X, in place of 17898, 17904 and 63928.....
55379	Feed Across Connection 55376 with 50598C and 55382, in place of 55378.....
18421	23511	Feed Across Shaft Crank (back) with 160E and 200C, in place of 18360.....
55382	23521	Feed Across Shaft Crank (back) Ball Stud, in place of 55381.....
18399	Feed Cam with two each 1192C, 17874 and four 190J, in place of 18395.....
18459	23518	Feed Plate, in place of 17800 and 17923.....
18438	23518	Feed Plate Carrier Bar with 934J, 1195E, 1221C, 8505, 17743, 18366, 18390, two 55300 and four 17806, in place of 18365.....
55328	Throat Plate 55324 with 55326 and two 1208J, in place of 55327.....
55326	24313	Throat Plate Needle Hole Bushing (small needle hole) in place of 55325.....
55462	24313	Throat Plate complete, Nos. 1698E, 17828, 50018F, 50117AL, 55321, 55328 and 55460, in place of 55461.....

MACHINE No. 69-10

FOR BARRING BUTTONHOLES. FITTED WITH CLAMP FOR CLOSING TOGETHER THE END OF BUTTONHOLE BEFORE BARRING.

This Machine is the same as the 69-5 Machine, with the following exceptions:

No.	Plate	Name
17976	8618	Clamp Arm (lower) left.....
17977	8618	Clamp Arm (lower) right.....
17978	8618	Clamp Arm (lower) Bracket.....
63781	Clamp Arm (lower) Bracket 17978 with 14008 and 17981.....
181X	8618	Clamp Arm (lower) Bracket Screw.....
7401	8618	Clamp Arm (lower) Bracket Steady Pin (2).....
90F	8618	Clamp Arm (lower) Hinge Screw (2).....
17979	8618	Clamp Arm (upper) left, with 17986 and 68738.....
17980	8618	Clamp Arm (upper) right, with 17986 and 68738.....
17981	8618	Clamp Arm (upper) Bracket.....
14008	8618	Clamp Arm (upper) Bracket Hinge Pin.....
90F	8618	Clamp Arm (upper) Hinge Screw (2).....
68738	8618	Clamp Arm (upper) Hook (2).....
17958	24309	Clamp Arm (upper) Lifter with 17866, in place of 17708.....
17982	8618	Clamp Pressure Spring.....
17713	8618	Clamp Pressure Spring Bracket.....
1177X	8618	Clamp Pressure Spring Bracket Screw.....
1178X	8618	Clamp Pressure Spring Screw.....
20437	Clamp Pressure Spring Screw Washer.....
17983	8618	Clamp Spreader Lever.....
957F	8618	Clamp Spreader Lever Cap Screw.....
17984	8618	Clamp Spreader Lever Friction Washer.....
17985	8618	Clamp Spreader Lever Hinge Stud.....
17986	8618	Clamp Spreader Stud (2).....
18452	8618	Clamp complete, Nos. 181X, 957F, 1177X, 1178X, 17713, 17976, 17977, 17979, 17980, 17982, 17983, 17984, 17988, 17989, 18367, 18451, 20437, 63781, two 7401 and four each 90F and 17806, in place of 17898, 17904 and 63928.....
18399	Feed Cam with two each 1192C, 17874 and four 190J, in place of 18395.....
17988	8618	Feed Plate (left).....
17989	8618	Feed Plate (right).....
17806	8618	Feed Plate Rivet (4).....
18451	8618	Feed Plate Carrier Bar with 934J, 1221C, 17743, 17985, 18366, 18390 and two 55300, in place of 18365.....
55328	Throat Plate 55324 with 55326 and two 1208J, in place of 55327.....
55326	24313	Throat Plate Needle Hole Bushing (small needle hole) in place of 55325.....
55462	24313	Throat Plate complete, Nos. 1698E, 17828, 50018F, 50117AL, 55321, 55328 and 55460, in place of 55461.....

MACHINE No. 69-11

FOR BARRING. FOR SEWING STRAPS ON UNDERWEAR AND OTHER GARMENTS. MAKES A BAR 3/8" TO 7/8" LONG; 3 STAYING, 36 COVERING AND 3 TYING STITCHES.

This Machine is the same as the 69-5 Machine, with the following exceptions:

No.	Plate	Name
17957	8619	Arch Clamp Foot with 17959.....
39206	24310	Arch Clamp Foot Lifter with 17866, in place of 17708.....
17959	8619	Arch Clamp Foot Lifting Stud.....
17960	8619	Arch Clamp Foot Plate.....
217X	8619	Arch Clamp Foot Plate Screw (4).....
39303	8619	Arch Clamp Foot Spring.....
217X	8619	Arch Clamp Foot Spring Screw (lower).....
1175X	8619	Arch Clamp Foot Spring Screw (upper).....
39250	8619	Arch Clamp Frame.....
14079	8619	Arch Clamp Frame Dowel Pin (2).....
181X	8619	Arch Clamp Frame Screw (2).....
18453	8619	Arch Clamp complete, Nos. 1175X, 1654C, 17957, 17960, 17963, 18367, 18438, 39250, 39303, two each 181X, 14079 and five 217X, in place of 17898, 17904 and 63928.....
55379	Feed Across Connection 55376 with 50598C and 55382, in place of 55378.....
18421	23511	Feed Across Shaft Crank (back) with 160E and 200C, in place of 18360.....
55382	23521	Feed Across Shaft Crank (back) Ball Stud, in place of 55381.....
18408	Feed Cam (double nipper depression) with 17874 and two each 190J and 1192C, in place of 18395.....
17963	8619	Feed Plate, in place of 17800 and 17923.....
18438	8619	Feed Plate Carrier Bar with 934J, 1195E, 1221C, 8505, 17743, 18366, 18390, two 55300 and four 17806, in place of 18365.....
18426	24307	Knife Bar with 18373 and two 17822, in place of 18370.....
55332	Throat Plate 55324 with 55331 and two 1208J, in place of 55327.....
55331	24315	Throat Plate Needle Hole Bushing, in place of 55325.....
55463	24315	Throat Plate complete, Nos. 1698E, 17828, 50018F, 50117AL, 55321, 55332 and 55460, in place of 55461.....

MACHINE No. 69-12

FOR SHOE TACKING. MAKES A TACK UP TO 3/8" LONG;
2 STAYING, 9 LONG AND 7 CROSS STITCHES.

This Machine is the same as the 69-5 Machine, with the following exceptions:

No.	Plate	Name
63811	8615	Clamp Arm (lower) with two 17992.....
17992	8615	Clamp Arm (lower) Hook (2).....
63812	8615	Clamp Arm (upper).....
39333	8615	Clamp Arm Bracket.....
39336	Clamp Arm Bracket (adjustable) complete, Nos. 129X, 1178X, 1300X, 1654C, 39333, 39334, 39335 and 50048X, in place of 17713.....
129X	8615	Clamp Arm Bracket Adjusting Screw.....
39334	8615	Clamp Arm Bracket Hinge Block.....
1300X	8615	Clamp Arm Bracket Hinge Block Screw, in place of 1177D.....
50048X	8615	Clamp Arm Bracket Hinge Screw (eccentric).....
1654C	8615	Clamp Arm Bracket Hinge Screw Nut.....
17958	24309	Clamp Arm Lifter with 17866, in place of 17708.....
9330	8615	Clamp Arm Pin.....
1178X	8615	Clamp Arm Screw.....
39335	8615	Clamp Arm Screw Plate.....
18490	8615	Clamp complete, Nos. 1654C, 9330, 18365, 18367, 39304, 39336, 63811 and 63812, in place of 17898, 17904 and 63928.....
55380	Feed Across Connection 55376 with 50598C and 55383, in place of 55378.....
18421	23512	Feed Across Shaft Crank (back) with 160E and 200C, in place of 18360.....
55383	23522	Feed Across Shaft Crank (back) Ball Stud, in place of 55381.....
18402	Feed Cam with two each 1192C, 17874 and four 190J, in place of 18395.....
39211	23512	Feed Cam Driving Worm with 1441AL and 1442C, in place of 18415.....
39212	Feed Cam Driving Worm Wheel with 453AL, in place of 17797.....
55419	Feed Cam Shaft 62155 with 1653C and 39212, in place of 62264.....
39304	8615	Feed Plate, in place of 17800 and 17923.....
55335	Throat Plate 55324 with 55334 and two 1208J, in place of 55327.....
55334	24314	Throat Plate Needle Hole Bushing, in place of 55325.....
55464	24314	Throat Plate complete, Nos. 1698E, 17828, 50018F, 50117AL, 55321, 55335 and 55460, in place of 55461.....

MACHINE No. 69-13

FOR TACKING ORNAMENTS TO SHOES. MAKES 11 CROSS
AND 3 TYING STITCHES.

This Machine is the same as the 69-5 Machine, with the following exceptions:

No.	Plate	Name
17999	8620	Clamp Arm with two 39257.....
39333	8620	Clamp Arm Bracket.....
39336	Clamp Arm Bracket (adjustable) complete, Nos. 129X, 1178X, 1300X, 1654C, 39333, 39334, 39335 and 50048X, in place of 17713.....
129X	8620	Clamp Arm Bracket Adjusting Screw.....
39334	8620	Clamp Arm Bracket Hinge Block.....
1300X	8620	Clamp Arm Bracket Hinge Block Screw, in place of 1177D.....
50048X	8620	Clamp Arm Bracket Hinge Screw (eccentric).....
1654C	8620	Clamp Arm Bracket Hinge Screw Nut.....
39257	8620	Clamp Arm Hook (2).....
17958	24309	Clamp Arm Lifter with 17866, in place of 17708.....
1178X	8620	Clamp Arm Screw.....
39335	8620	Clamp Arm Screw Plate.....
18491	8620	Clamp complete, Nos. 1654C, 17999, 18365, 18367, 39258 and 39336, in place of 17898, 17904 and 63928.....
18403	Feed Cam with two 1192C, three 17874 and six 190J, in place of 18395.....
39258	8620	Feed Plate (thin) in place of 17800.....
39362	8620	Feed Plate (thick) in place of 17923.....
55328	Throat Plate 55324 with 55326 and two 1208J, in place of 55327.....
55326	24313	Throat Plate Needle Hole Bushing (small needle hole) in place of 55325.....
55462	24313	Throat Plate complete, Nos. 1698E, 17828, 50018F, 50117AL, 55321, 55328 and 55460, in place of 55461.....

MACHINE No. 69-14

FOR TACKING SHOES. FOR LIGHT WORK. MAKES AN OBLONG TACK 7/32" TO 7/16" LONG; 18 STAYING IN TWO PARALLEL LINES AND 3 TYING STITCHES.

This Machine is the same as the 69-5 Machine, with the following exceptions:

No.	Plate	Name
18473		Arch Clamp Foot (left).....
55384	8621	Arch Clamp Foot (left) 18473 with 219XC and 63731.....
18475		Arch Clamp Foot (right).....
55385	8621	Arch Clamp Foot (right) 18475 with 219XC and 63732.....
17958	24309	Arch Clamp Foot Lifter with 17866, in place of 17708.....
63726	8621	Arch Clamp Foot Lifting Stud (2).....
18477	8621	Arch Clamp Foot Plate.....
190J	8621	Arch Clamp Foot Plate Screw (4).....
219XC	8621	Arch Clamp Foot Screw (2).....
63731	8621	Arch Clamp Foot Shank (left) with 63726.....
63732	8621	Arch Clamp Foot Shank (right) with 63726.....
63733	8621	Arch Clamp Foot Spring (2).....
1229F	8621	Arch Clamp Foot Spring Adjusting Screw (2).....
1547J	8621	Arch Clamp Foot Spring Adjusting Screw Lock Nut (2).....
63734	8621	Arch Clamp Frame.....
14079	8621	Arch Clamp Frame Dowel Pin (2).....
181X	8621	Arch Clamp Frame Screw (2).....
55386	8621	Arch Clamp complete, Nos. 1654C, 18367, 18477, 18484, 18486, 55384, 55385, 63734, two each 181X, 1229F, 1547J, 14079, 63733 and four 190X, in place of 17898, 17904 and 63928.....
18404		Feed Cam with two each 190J, 1192C and 17874, in place of 18395.....
18484	8621	Feed Plate, in place of 17800 and 17923.....
18486	8621	Feed Plate Carrier Bar with 810D, 934J, 1195E, 1221C, 8505, 18366, 18390, 18488, 18489, two 55300 and four 17806, in place of 18365.....
18487	23523	Feed Regulator with 1953, in place of 17742.....
55298		Feed Regulator Bracket 55486 with 17745, 18356, 18357 and 18487, in place of 55297.....
18488	8621	Feed Regulator Post, in place of 17743.....
18489	8621	Feed Regulator Post Guide.....
810D	8621	Feed Regulator Post Guide Cap Screw.....
55328		Throat Plate 55324 with 55326 and two 1208J, in place of 55327.....
55326	24313	Throat Plate Needle Hole Bushing (small needle hole) in place of 55325.....
55462	24313	Throat Plate complete, Nos. 1698E, 17828, 50018F, 50117AL, 55321, 55328 and 55460, in place of 55461....

MACHINE No. 69-15

FOR STITCHING LARGE BUTTONS ON CLOTHING. MAKES CROSS STITCHES IN FOUR HOLE BUTTONS AND CAN BE ADJUSTED FOR TWO HOLE AND BAR BUTTONS. NEEDLE THROW 5/32" TO 5/16"; 18 CROSS AND 3 TYING STITCHES.

This Machine is the same as the 69-5 Machine, with the following exceptions:

No.	Plate	Name
18464	23519	Button Clamp (left) with 9311 and 17723, in place of 17706, 17899 and 39238.....
18465	23519	Button Clamp (right) with 9311 and 17723, in place of 17707, 17900 and 39239.....
18466	23519	Button Clamp Stop with two 17720, in place of 17722, 17903 and 39248.....
63929	23519	Button Clamp (universal) complete, for 26 to 55 ligne buttons, Nos. 1180X, 1181X, 1182X, 1183X, 17717, 17718, 17719, 18464, 18465, 18466, 39242, 39244 or 39246, 39245 or 39247, 50237XC, 63927 and two each 229X and 1175X, in place of 17898, 17904 and 63928.....
18405		Feed Cam with 17874 and two each 190J and 1192C, in place of 18395.....
39231	23510	Feed Cam Driving Worm with 1441AL and 1442C, in place of 18415.....
17997		Feed Cam Driving Worm Wheel with 453AL, in place of 17797.....
124874		Feed Cam Shaft 62155 with 1653C and 17997, in place of 62264.....
18468	23519	Feed Plate, in place of 17800 and 17923.....
39312	23524	Feed Regulator with 1953, in place of 17742.....
55491	23524	Feed Regulator Bracket with two each 160J and 446AL, in place of 55486.....
55299		Feed Regulator Bracket 55491 with 18356, 18357, 39312 and 39313, in place of 55297.....
39313	23524	Feed Regulator Swivel, in place of 17745.....

MACHINE No. 69-16

FOR TACKING SHOES. MAKES AN OBLONG TACK 7/32"
TO 7/16" LONG; 18 STITCHES IN TWO PARALLEL LINES, 3
TYING STITCHES.

This Machine is the same as the 69-5 Machine, with the fol-
lowing exceptions:

No.	Plate	Name
18473		Arch Clamp Foot (left)
55384	8621	Arch Clamp Foot (left) 18473 with 219XC and 63731
18475		Arch Clamp Foot (right)
55385	8621	Arch Clamp Foot (right) 18475 with 219XC and 63732
17958	24309	Arch Clamp Foot Lifter with 17866, in place of 17708
63726	8621	Arch Clamp Foot Lifting Stud (2)
18477	8621	Arch Clamp Foot Plate
190X	8621	Arch Clamp Foot Plate Screw (4)
219XC	8621	Arch Clamp Foot Screw (2)
63731	8621	Arch Clamp Foot Shank (left) with 63726
63732	8621	Arch Clamp Foot Shank (right) with 63726
63733	8621	Arch Clamp Foot Spring (2)
1229F	8621	Arch Clamp Foot Spring Adjusting Screw (2)
1547J	8621	Arch Clamp Foot Spring Adjusting Screw Lock Nut (2)
63734	8621	Arch Clamp Frame
14079	8621	Arch Clamp Frame Dowel Pin (2)
181X	8621	Arch Clamp Frame Screw (2)
55386	8621	Arch Clamp complete, Nos. 1654C, 18367, 18477, 18484, 18486, 55384, 55385, 63734, two each 181X, 1229F, 1547J, 14079, 63733 and four 190X, in place of 17898, 17904 and 63928
*55436		Cylinder, in place of 55407
18406		Feed Cam with two each 190J, 1192C and 17874, in place of 18395
18484	8621	Feed Plate, in place of 17800 and 17923
18486	8621	Feed Plate Carrier Bar with 810D, 934J, 1195E, 1221C, 8505, 18366, 18390, 18488, 18489, two 55300 and four 17806, in place of 18365
18487	23523	Feed Regulator with 1953, in place of 17742
55298		Feed Regulator Bracket 55486 with 17745, 18356, 18357 and 18487, in place of 55297
18488	8621	Feed Regulator Post, in place of 17743
18489	8621	Feed Regulator Post Guide
810D	8621	Feed Regulator Post Guide Cap Screw
55397	23498	Knife (needle thread) in place of 55458
55398		Knife Holder 17825 with 1198C, 17808, 17829 and 55397, in place of 55460
17808	23498	Knife (shuttle thread) in place of 55459
6023	23513	Oscillating Shaft, in place of 18385
2073	23498	Shuttle Bobbin, in place of 2996
2211	23498	Shuttle Bobbin Retaining Spring
2212	23498	Shuttle Bobbin Retaining Spring Rivet (2)
39295	23498	Shuttle Body with 398E, 2082, 2084, 2211 and two 2212
44001	23498	Shuttle Cover with 112J, 466H, 2078, 2080, 2086 and 2090
2076	23498	Shuttle Cover Hinge Pin
2078	23498	Shuttle Delivery Eye Thread Guard
2080	23498	Shuttle Delivery Eye Thread Guard Rivet
2082	23498	Shuttle Main Spring
398E	23498	Shuttle Main Spring Screw
2084	23498	Shuttle Main Spring Steady Pin

No.	Plate	Name
466H	23498	Shuttle Tension Regulating Screw, in place of 591F
2086	23498	Shuttle Tension Spring, in place of 15278
2090	23498	Shuttle Tension Spring Plate
112J	23498	Shuttle Tension Spring Screw
39296	23498	Shuttle complete, Nos. 2073, 2076, 39295 and 44001, in place of 21561
39487	23513	Shuttle Driver with two 457AL, in place of 68752
457AL	23513	Shuttle Driver Set Screw, in place of 462AL (2)
55437	23498	Shuttle Race Body, in place of 18411
55271	23498	Shuttle Race Ring, in place of 18429
51381D	23498	Shuttle Race Ring Spring Screw, in place of 1289D (2)
55438	23498	Shuttle Race complete, Nos. 55271, 55437 and two each 51381D and 55439, in place of 18430
51403J	23498	Shuttle Race Screw, in place of 171AL
39204	23513	Thread Take-up Cam with 446AL, in place of 18392
56756	23513	Thread Take-up Lever with 76C and 1819, in place of 68775
76C	23513	Thread Take-up Lever Hinge Screw, in place of 140414C
1819	23513	Thread Take-up Lever Roller and Stud, in place of 1822
55402	23498	Throat Plate, in place of 55324
55403		Throat Plate 55402 with 55325 and two 1208J, in place of 55327
55325	23498	Throat Plate Needle Hole Bushing (large needle hole)
55404	23498	Throat Plate complete, Nos. 1698E, 17828, 50018F, 50117AL, 55321, 55398 and 55403, in place of 55461

MACHINE No. 69-17

FOR STITCHING TWO OR FOUR HOLE GROOVED BUTTONS. MAKES TWO PARALLEL BARS IN FOUR HOLE BUTTONS WITHOUT CROSS STITCH. CLAMP AUTOMATICALLY BRINGS THE BUTTON INTO POSITION FOR THE SECOND BAR; 18 STITCHES, INCLUDING 3 TYING STITCHES TO EACH BAR.

This Machine is the same as the 69-5 Machine, with the following exceptions:

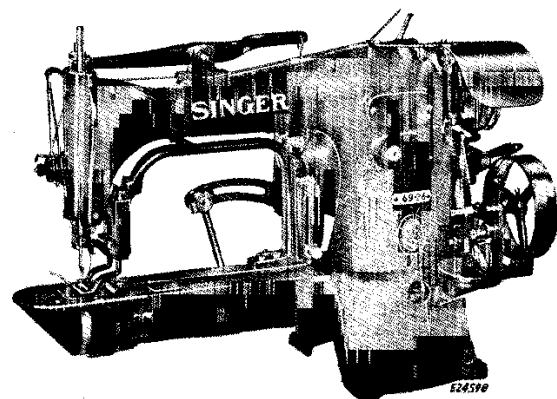
No.	Plate	Name
55467	Feed Cam with two each 1192C, 17874 and four 190J, in place of 18395
39211	23514	Feed Cam Driving Worm with 1441AL and 1442C, in place of 18415.....
39212	Feed Cam Driving Worm Wheel with 453AL, in place of 17797.....
55419	Feed Cam Shaft 62155 with 1653C and 39212, in place of 62264.....

MACHINE No. 69-18

FOR STITCHING TWO OR FOUR HOLE GROOVED BUTTONS. MAKES TWO PARALLEL BARS IN FOUR HOLE BUTTONS WITHOUT CROSS STITCH. CLAMP AUTOMATICALLY BRINGS THE BUTTON INTO POSITION FOR THE SECOND BAR; 9 STITCHES INCLUDING 3 TYING STITCHES TO EACH BAR.

This Machine is the same as the 69-5 Machine, with the following exceptions:

No.	Plate	Name
55309	Feed Cam with two 1192C and four each 190J and 17874, in place of 18395.....
39211	23514	Feed Cam Driving Worm with 1441AL and 1442C, in place of 18415.....
39212	Feed Cam Driving Worm Wheel with 453AL, in place of 17797.....
55419	Feed Cam Shaft 62155 with 1653C and 39212, in place of 62264.....
55328 *	Throat Plate 55324 with 55326 and two 1208J, in place of 55327.....
55326	24313	Throat Plate Needle Hole Bushing (small needle hole) in place of 55325.....
55462	24313	Throat Plate complete, Nos. 1698E, 17828, 50018F, 50117AL, 55321, 55328 and 55460, in place of 55461...



MACHINE No. 69-26

FOR BARRING POCKETS ON CLOTHING AND OTHER GENERAL BARRING AND TACKING OPERATIONS. MAKES A BAR 5/16" TO 5/8" LONG; 8 STAYING, 17 COVERING AND 3 TYING STITCHES.

This Machine is the same as the 69-5 Machine, with the following exceptions:

No.	Plate	Name
17964	8616	Arch Clamp Foot (left) with 17959.....
17965	8616	Arch Clamp Foot (right) with 17959.....
17958	24309	Arch Clamp Foot Lifter with 17866, in place of 17708.....
17959	8616	Arch Clamp Foot Lifting Stud (2).....
17966	8616	Arch Clamp Foot Plate.....
217X	8616	Arch Clamp Foot Plate Screw (4).....
39302	8616	Arch Clamp Foot Spring.....
17967	8616	Arch Clamp Foot Spring Connection.....
1175X	8616	Arch Clamp Foot Spring Connection Hinge Screw (2).....
217X	8616	Arch Clamp Foot Spring Screw.....
17968	8616	Arch Clamp Frame.....
14079	8616	Arch Clamp Frame Dowel Pin (2).....
1177X	8616	Arch Clamp Frame Screw (2).....
18449	8616	Arch Clamp complete, Nos. 1654C, 17964, 17965, 17966, 17967, 17968, 17970, 18367, 18448, 39302, two each 1175X, 1177X, 14079 and five 217X, in place of 17898, 17904 and 63928.....
55406	Arm with 17844 and two 164E, in place of 55405.....
55379	Feed Across Connection 55376 with 50598C and 55382, in place of 55378.....
18421	23515	Feed Across Shaft Crank (back) with 160E and 200C, in place of 18360.....
55382	23521	Feed Across Shaft Crank (back) Ball Stud, in place of 55381.....
55454	23508	Feed Cam (double nipper depression) with 17874 and two each 190J and 1192C, in place of 18395.....
124925	23515	Feed Cam Driving Worm with 1441AL and 1442C, in place of 18415.....

PARTS FOR MACHINE NO. 69-26

No.	Plate	Name
124926	23508	Feed Cam Driving Worm Wheel with 453AL, in place of 17797.....
124927	Feed Cam Shaft 62155 with 1653C and 124926, in place of 62264.....
17970	8616	Feed Plate, in place of 17800 and 17923.....
18448	8616	Feed Plate Carrier Bar with 934J, 1195E, 1221C, 8505, 17743, 18366, 18390, two 55300 and four 17806, in place of 18365.....
55328	Throat Plate 55324 with 55326 and two 1208J, in place of 55327.....
55326	24313	Throat Plate Needle Hole Bushing (small needle hole) in place of 55325.....
55462	24313	Throat Plate complete, Nos. 1698E, 17828, 50018F, 50117AL, 55321, 55328 and 55460, in place of 55461.....

ATTACHMENTS AND ACCESSORIES

No.	Plate	Name
59797	23505	Button Tray with two wood screws 1 1/4 in. No. 14, for 69-5, 69-6, 69-15, 69-17 and 69-18 Machines.....
18419	8599	Cylinder Base Plate with two 453AL.....
18420	8599	Cylinder Base Plate Hinge Connection (2).....
18423	8599	Cylinder Base Plate Hinge Connection Hinge Pin (2).....
453AL	8599	Cylinder Base Plate Hinge Connection Hinge Pin Set Screw (2).....
18424	8599	Cylinder Base Plate (hinged) complete, Nos. 18419, two each 18420, 18423, three wood screws 1 1/4 in. No. 12 and four 134E.....
134E	8599	Cylinder Base Plate Screw (4).....
41400	8599	Machine Rest Pin (wood).....
120346	8599	Oiler (copper plated) with 120347.....
120347	8599	Oiler Spout, 8 1/2 in. long.....
11831	8599	Screw Driver (large).....
26026	8599	Screw Driver (machine).....
26485	8599	Screw Driver (shuttle tension).....
10875	8599	Wrench for 1518 and 1520.....
27662	8599	Wrench for 1508.....
17905	8599	Wrench for 1654 and 1676.....
22003	8599	Wrench for 1651.....

BOBBIN WINDERS

Bobbin Winder

(swinging automatic, left hand)

for 2996

for Nos. 69-5 to 69-15, 69-17, 69-18 and 69-26 Machines

No.	Plate	Name
41598	23502	Base with 27916 and two 28084.....
1186C	23502	Base Screw (2).....
15072	23502	Bobbin Position Pin.....
126391	23502	Bracket.....
129E	23502	Bracket Screw (2).....
27916	23502	Brake (leather).....
28084	23502	Brake Rivet (2).....
27321	23502	Frame.....
50356D	23502	Frame Hinge Screw.....
1620J	23502	Frame Hinge Screw Nut.....
41825	23502	Frame Spring.....
41600	23502	Pulley with 155C.....
155C	23502	Pulley Set Screw.....
27538	23502	Spindle with 15072, 27850 and 41828.....
27850	23502	Spindle Collar.....
41828	23502	Spindle Collar Pin.....
27328	23502	Stop Latch.....
35D	23502	Stop Latch Hinge Screw.....
60769	23502	Tension Bracket.....
60770	23502	Tension Bracket complete, Nos. 419E, 1562J, 8422, 9780, 43808, 60769 and two 2455.....
9780	23502	Tension Bracket Position Stud.....
161J	23502	Tension Bracket Screw.....
2455	23502	Tension Disc (2).....
1562J	23502	Tension Regulating Thumb Nut.....
419E	23502	Tension Screw Stud.....
43808	23502	Tension Spring.....
8422	23502	Tension Thread Guide.....
41604	Bobbin Winder, Nos. 35D, 1620J, 27321, 27328, 27538, 41598, 41600, 41825 and 50356D.....
41716	23502	Bobbin Winder (swinging automatic, left hand) complete, Nos. 161J, 41604, 60770 and two 1186C.....

Bobbin Winder

(swinging automatic, left hand)

for No. 2073, for No. 69-16 Machine

This Bobbin Winder is the same as the No. 41716,

with the following exceptions:

No.	Plate	Name
27305	23503	Spindle, in place of 27538.....
27326	23503	Stop Latch, in place of 27328.....
41713	Bobbin Winder, Nos. 35D, 1620J, 27305, 27321, 27326, 41598, 41600, 41825 and 50356D, in place of 41604.....
41714	23503	Bobbin Winder (swinging automatic, left hand) complete, Nos. 161J, 41713, 60770 and two 1186C.....

BUTTON SPACING GAUGES

For Nos. 69-5, 69-6, 69-15, 69-17 and 69-18 Machines

No.	Plate	Name
124705	24316	Button Spacing Gauge (lower).....
181J	24316	Button Spacing Gauge (lower) Screw.....
124701	24316	Button Spacing Gauge (upper).....
602J	24316	Button Spacing Gauge (upper) Screw.....
124706	24316	Button Spacing Gauge Holder.....
124707	24316	Button Spacing Gauge complete, without cloth plate, Nos. 181J, 602J, 124701, 124705, 124706 and two wood screws 1 in. No. 10 R.H.B.....
124950	24316	Button Spacing Gauge.....
124706	24316	Button Spacing Gauge Holder.....
124951	24316	Button Spacing Gauge Plate.....
181J	24316	Button Spacing Gauge Plate Screw.....
9525	24316	Button Spacing Gauge Plate Screw Washer.....
217J	24316	Button Spacing Gauge Screw (2).....
7071	24316	Button Spacing Gauge Screw Washer (2).....
124952	24316	Button Spacing Gauge complete, without cloth plate, Nos. 181J, 9525, 124706, 124950, 124951 and two each 217J, 7071 and wood screws 1 in. No. 10 R.H.....

CLAMP FOR HOOKS AND EYES

for Nos. 69-5 and 69-6 Machines

No.	Plate	Name
17906	24316	Clamp (left) with 23219.....
17907	24316	Clamp (right).....
17908	24316	Clamp Arm with 17714 and 68799.....
68799	24316	Clamp Arm Hook.....
1175X	24316	Clamp Hinge Screw (2).....
17911	24316	Clamp Hook Stop.....
1208X	24316	Clamp Hook Stop Screw.....
17712	Clamp Pressure Spring.....
17714	24316	Clamp Pressure Spring Guide Block.....
1219X	24316	Clamp Spreader Stud.....
1657X	24316	Clamp Spreader Stud Thumb Nut.....
17718	24316	Clamp Spreader Stud Thumb Nut Washer.....
17909	24316	Clamp Spreader Spring.....
1182X	24316	Clamp Spreader Spring Screw.....
17910	24316	Clamp Spring.....
1208X	24316	Clamp Spring Screw.....
23219	24316	Clamp Spring Steady Pin.....
17912	24316	Clamp complete, for hooks and eyes, Nos. 1182X, 1219X, 1657X, 17718, 17906, 17907, 17908, 17909, 17910, 17911 and two each 1175X and 1208X.....

EYE AND FINGER GUARD

No.	Plate	Name
121603	8601	Eye and Finger Guard (glass)
121604	8601	Carrying Arm
1004K	8601	Carrying Arm Hinge Screw (back)
1698J	8601	Carrying Arm Hinge Screw (back) Nut
50222K	8601	Carrying Arm Hinge Screw (front)
1735J	8601	Carrying Arm Hinge Screw (front) Nut
121605	8601	Carrying Arm Spring
50435K	8601	Depressing Screw
121606	8601	Depressing Screw Holder
140061J	8601	Depressing Screw Holder Screw
121607	8601	Frame
121608		Frame 121607 with 121603
50165J	8601	Frame Screw (2)
121609	8601	Guiding Rod
50435K	8601	Guiding Rod Hinge Screw
121611	8601	Holder
121612	8601	Supporting Bracket
191J	8601	Supporting Bracket Screw (2)
121613		Eye and Finger Guard complete, Nos. 1004K, 1698J, 1735J, 50222K, 50435K, 121604, 121605, 121608, 121609, 121611, 121612 and two 50165J
68740		Face Plate
68741	8601	Face Plate 68740 with 2105
68742		Face Plate complete, Nos. 448AL, 2107, 2127, 56791, 68741 and two 233J
164D	8601	Face Plate Screw
2107	8601	Face Plate Thread Guard
233J	8601	Face Plate Thread Guard Screw
2102	8601	Tension Disc (2)
1560C	8601	Tension Regulating Thumb Nut
600C	8601	Tension Screw Stud
16202		Tension Screw Stud 600C with 1560C
448AL	8601	Tension Screw Stud Set Screw
2103	8601	Tension Spring
2105	8601	Tension Thread Guard
56791		Tension complete, Nos. 2103, 2124, 16202 and two 2102
2124	8601	Thread Take-up Spring
2127	8601	Thread Take-up Spring Regulator Plate
233J	8601	Thread Take-up Spring Regulator Plate Adjusting Screw
121626	8601	Eye and Finger Guard with Face Plate complete, Nos. 50435K, 68742, 121606, 121613, 140061J, and two 191J

STARTING LEVER AND FOOT LIFTER PARTS

No.	Plate	Name
17876	24317	Treadle with 443AL (2)
17877	24317	Treadle Pitman Rod (lower) (2)
17878	24317	Treadle Pitman Rod (upper) (2)
17879	24317	Treadle Pitman Rod Clamp with two 161E (2)
161E	24317	Treadle Pitman Rod Clamp Screw (4)
17880	24317	Treadle Pitman complete, Nos. 17877, 17878 and 17879 (2)
17881	24317	Treadle Shaft (2)
443AL	24317	Treadle Shaft Set Screw (2)
17882	24317	Treadle Spring (2)
17883	24317	Treadle Stand (2)
17884	24317	Treadle complete, Nos. 17876, 17881, 17882, 17883 and two wood screws 1 in. No. 10 (2)
17885		Treadle and Pitman complete, Nos. 17880 and 17884 (2)

STARTING LEVER ROCK SHAFT

for Series 1600 Motors

No.	Plate	Name
14224	23506	Chain, length 10 1/4 in., with 56864
56864	23506	Chain Hook
7124	23506	Rock Shaft
27683	23506	Rock Shaft Arm with two 356C (2)
356C	23506	Rock Shaft Arm Set Screw (4)
16128	23506	Rock Shaft Hanger with two wood screws 1 in. No. 10 (2)
32134	23506	Rock Shaft Spring
2770	23506	Rock Shaft Stop Dog with 140219C (2)
140219C	23506	Rock Shaft Stop Dog Set Screw (2)
63981	23506	Starting Lever Rock Shaft complete, Nos. 7124, 14224, 32134 and two each 2770, 16128 and 27683

Starting Lever Rock Shaft

for Series 1800, 2800, S38 and S48 Motors

No.	Plate	Name
55433	23506	Chain, length 10 1/4 in., with two 56865
56865	23506	Chain Hook (2)
55431	23506	Rock Shaft
27683	23506	Rock Shaft Arm with two 356C
55435	23506	Rock Shaft Arm with two 51067C
356C	23506	Rock Shaft Arm Set Screw (2)
51067C	23506	Rock Shaft Arm Set Screw (2)
21327	23506	Rock Shaft Hanger with two wood screws 1 in. No. 10 (2)
32134	23506	Rock Shaft Spring
2770	23506	Rock Shaft Stop Dog with 140219C (2)
140219C	23506	Rock Shaft Stop Dog Set Screw (2)
55432	23506	Starting Lever Rock Shaft complete, Nos. 27683, 32134, 55431, 55433, 55435, wood screw 1 in. No. 12 F.H. and two each 2770 and 21327

TABLE BELT GUIDE

No.	Plate	Name
60811	24317	Belt Guide with two 448AL (2)
448AL	24317	Belt Guide Set Screw (4)
68764	24317	Bracket with two 153E
14230	24317	Pulley (2)
68777	24317	Pulley Shaft (long) with 68779
68779	24317	Pulley Shaft (long) Wick
68778	24317	Pulley Shaft (short) with 68780
68780	24317	Pulley Shaft (short) Wick
153E	24317	Pulley Shaft Set Screw (2)
68767	24317	Table Belt Guide complete, Nos. 68764, 68777, 68778, two each 14230, 60811 and three wood screws 1 1/4 in. No. 12 F.H.

THREAD UNWINDER

(for two spools or two large cones of thread)

No.	Plate	Name
228692	23289	Spool Pin (2).....
201528X	23289	Spool Pin Nut (2).....
228693	23289	Spool Pin Washer (2).....
225257	23289	Spool Rest with 201018C and two each 201528X, 228692 and 228693.....
150203	23289	Spool Rest Cushion (felt) (2).....
225388	23289	Spool Rest Rod.....
200383C	23289	Spool Rest Rod Set Screw.....
201018C	23289	Spool Rest Set Screw.....
259658	23289	Spool Stand with 200383C.....
225391	23289	Thread Guide (2).....
201696J	23289	Thread Guide Lock Nut.....
225326	23289	Thread Guide Position Cup.....
225324	23289	Thread Guide Rod with 208AL and 225322.....
208AL	23289	Thread Guide Rod Screw.....
225322	23289	Thread Guide Rod Washer.....
225258	23289	Thread Unwinder complete, Nos. 201696J, 225257, 225324, 225326, 225388, 259658, two each 150203, 225391 and three wood screws 7/8 in. No. 12 F.H.....
27739	23289	Thread Cone (wood) for large cones.....
225390	23289	Thread Cone Holder, for inverted cones.....

NOTE: Nos. 27739 and 225390 are used with, but not included in 225258.

NUMERICAL LIST OF PARTS

No.	Plate	Name
35D	23502	Bobbin Winder Stop Latch Hinge Screw for 41604 and 41713.....
76C	23513	Thread Take-up Lever Hinge Screw for 56756.....
90F	8618	Clamp Arm (lower) Hinge Screw for 18452.....
90F	8618	Clamp Arm (upper) Hinge Screw for 18452.....
112J	23498	Shuttle Tension Spring Screw for 44001.....
129E	23502	Bobbin Winder Bracket Screw.....
		NOTE: No. 129E is used with, but not included in 41714 or 41716
129X	8615	Clamp Arm Bracket Adjusting Screw for 39336.....
134E	8599	Cylinder Base Plate Screw for 18424.....
145E	23509	Crank Connecting Rod Cap Screw for 4292.....
153E	24317	Table Belt Guide Pulley Shaft Set Screw for 68764.....
155C	23502	Bobbin Winder Pulley Set Screw for 41600.....
160E	23509	Feed Across Shaft Crank (back) Clamping Screw for 18360 and 18421.....
160E	23509	Feed Across Shaft Crank (front) Clamping Screw for 18362.....
160J	23520	Feed Regulator Bracket Cap Screw for 55486 and 55491.....
161J	23502	Bobbin Winder Tension Bracket Screw for 41714 and 41716.....
161E	24317	Starting Lever and Foot Lifter Treadle Pitman Rod Clamp Screw for 17879.....
164D	8601	Eye and Finger Guard Face Plate Screw.....
164D	8593	Face Plate Screw.....
164E	23525	Presser Bar Lifting Lever Bracket Screw for 55405 and 55406.....
171AL	24312	Shuttle Race Screw for all machines except 69-16.....
181X	8619	Arch Clamp Frame Screw for 18436, 18453 and 55386.....
181J	24316	Button Spacing Gauge (lower) Screw for 124707.....
181J	24316	Button Spacing Gauge Plate Screw for 124952.....
181X	8618	Clamp Arm (lower) Bracket Screw for 18452.....
184E	23509	Belt Cover Bracket Screw Stud for 39290.....
190J	24309	Arch Clamp Foot Lifter Screw for 69-8, 69-9, 69-11, 69-14, 69-16 and 69-26 Machines.....
190X	8621	Arch Clamp Foot Plate Screw for 55386.....
190J	23509	Arm Side Cover Screw.....
190J	24308	Button Clamp Lifter Screw for 69-5, 69-6, 69-15, 69-17 and 69-18 Machines.....
190J	24309	Clamp Arm Lifter Screw for 69-7, 69-12 and 69-13 Machines.....
190J	24309	Clamp Arm (upper) Lifter Screw for 69-10 Machine.....
190J	23525	Knife Bar Connection Screw.....
190J	23525	Knife Bar Driving Lever Lock Stud Spring Screw for 39297.....
190J	23525	Needle Bar Thread Nipper Rod Support Screw.....
190J	24311	Trip Lever Tripper Adjusting Screw for 68820.....
190J	23486	Tripping Point Screw for 18395, 18396, 18397, 18399, 18402, 18403, 18404, 18405, 18406, 18407, 18408, 55309, 55454 and 55467.....
191J	8601	Eye and Finger Guard Supporting Bracket Screw for 121626.....
193J	24311	Stop Cam Interlocking Rod Case Wearing Block Screw for 55488.....
196AL	23525	Needle Bar Thread Nipper Rod Arm Set Screw for 17839.....
196AL	24308	Presser Bar Collar Set Screw for 17841.....
200C	23509	Feed Across Shaft Collar Set Screw for 18359.....
200C	23509	Feed Across Shaft Crank (back) Ball Stud Set Screw for 18360 and 18421.....
208AL	23289	Thread Unwinder Thread Guide Rod Screw for 225324.....
217X	8616	Arch Clamp Foot Plate Screw for 18436, 18449 and 18453.....

NUMERICAL LIST OF PARTS

No.	Plate	Name
217X	8616	Arch Clamp Foot Spring Screw for 18436 and 18449.....
217X	8619	Arch Clamp Foot Spring Screw (lower) for 18453.....
217J	23509	Belt Cover Screw.....
217J	24316	Button Spacing Gauge Screw for 124952.....
217J	23498	Cylinder End Cover Spring Screw.....
217J	23525	Knife Bar Cap Screw.....
219XC	8621	Arch Clamp Foot Screw for 55384 and 55385.....
226J	23509	Oscillating Shaft Crank Slide Block Cap Screw for 15171.....
229X	23517	Button Clamp Spring Screw for 63928 and 63929.....
233J	8601	Eye and Finger Guard Face Plate Thread Guard Screw for 68742.....
233J	8601	Eye and Finger Guard Thread Take-up Spring Regulator Plate Adjusting Screw for 68742.....
233J	8593	Face Plate Thread Guard Screw for 17725.....
233J	8593	Thread Take-up Spring Regulator Plate Adjusting Screw for 17725.....
236X	23516	Button Clamp Spring Screw for 17898 and 17904.....
237AL	24308	Needle Set Screw for 17831.....
237AL	23509	Oscillating Shaft Crank Set Screw for 18387.....
335J	23525	Needle Bar Thread Nipper Driving Lever Extension Screw for 39350.....
337J	24308	Thread Wiper Body Wire Screw.....
356C	23506	Starting Lever Rock Shaft Arm Set Screw for 27683.....
375C	23509	Crank Connecting Rod Hinge Screw.....
377C	24308	Needle Bar Connecting Link Hinge Screw.....
398E	23498	Shuttle Main Spring Screw for 39295.....
419E	23502	Bobbin Winder Tension Screw Stud for 60770.....
443AL	24317	Starting Lever and Foot Lifter Treadle Shaft Set Screw for 17876.....
446AL	23520	Feed Across Regulator Hinge Stud Set Screw for 55486 and 55491.....
446AL	23509	Thread Take-up Cam Set Screw for 18392.....
448AL	8601	Eye and Finger Guard Tension Screw Stud Set Screw for 68742.....
448AL	24317	Table Belt Guide Set Screw for 60811.....
448AL	8593	Tension Screw Stud Set Screw for 17725.....
453AL	8599	Cylinder Base Plate Hinge Connection Hinge Pin Set Screw for 18419.....
453AL	23486	Feed Cam Driving Worm Wheel Set Screw for 17797, 17997, 39212 and 124926.....
453AL	24308	Presser Bar Guide Bracket Set Screw for 17842.....
457AL	23513	Shuttle Driver Set Screw for 39487.....
462AL	23509	Shuttle Driver Set Screw for 68752.....
466H	23498	Shuttle Tension Regulating Screw for 44001.....
591F	24312	Shuttle Tension Regulating Screw for 15277.....
592E	24312	Shuttle Bobbin Case Latch Stop Screw for 15277.....
600C	8601	Eye and Finger Guard Tension Screw Stud for 16202.....
600C	8593	Tension Screw Stud for 16202.....
602J	24316	Button Spacing Gauge (upper) Screw for 124707.....
641C	24308	Thread Wiper Body Support Set Screw.....
662AL	24312	Shuttle Race Cap Screw for 18430.....
670E	23525	Knife Cam Lever Bracket Screw.....
691AL	23498	Throat Plate Screw.....
810D	8621	Feed Regulator Post Guide Cap Screw for 18486.....
880E	23509	Arm Screw.....
898J	24311	Stop Cam Interlocking Rod Case Socket Joint Cap Screw for 55304.....
934J	8615	Feed Plate Carrier Bar Plate Screw for 18365, 18438, 18448, 18451 and 18486.....
957F	8618	Clamp Spreader Lever Cap Screw for 18452.....
1004K	8601	Eye and Finger Guard Carrying Arm Hinge Screw (back) for 121613.....
1035C	23509	Oscillating Shaft Crank Slide Block Screw Stud for 15171.....

NUMERICAL LIST OF PARTS

No.	Plate	Name
1057AL	23520	Feed Across Connection Cap (lower) Screw for 55376.....
1057AL	23520	Feed Across Connection Cap (upper) Screw for 55376.....
1175X	8616	Arch Clamp Foot Spring Connection Hinge Screw for 18436 and 18449.....
1175X	8619	Arch Clamp Foot Spring Screw (upper) for 18453.....
1175X	23516	Button Clamp Hinge Screw for 17898, 17904, 63928 and 63929.....
1175X	24316	Clamp Hinge Screw for 17912.....
1176X	23516	Button Clamp Arm Hinge Plate Screw for 69-5, 69-6, 69-15, 69-17 and 69-18 Machines.....
1177X	8616	Arch Clamp Frame Screw for 18449.....
1177X	23516	Button Clamp Pressure Spring Bracket Screw for 69-5, 69-6, 69-15, 69-17 and 69-18 Machines.....
1177X	8618	Clamp Pressure Spring Bracket Screw for 18452.....
1177E	23520	Feed Regulator Bracket Screw.....
1178X	23516	Button Clamp Pressure Spring Screw for 69-5, 69-6, 69-15, 69-17 and 69-18 Machines.....
1178X	8615	Clamp Arm Screw for 39336.....
1178X	8618	Clamp Pressure Spring Screw for 18452.....
1180X	23516	Button Clamp Spreader Lever Locking Thumb Screw for 17898, 17904, 63928 and 63929.....
1181X	23516	Button Clamp Spreader Spring Screw for 17898, 17904, 63928 and 63929.....
1182X	23516	Button Clamp Spreader Screw for 17898, 17904, 63928, and 63929.....
1182X	24316	Clamp Spreader Spring Screw for 17912.....
1182J	24311	Trip Lever Spring Screw for 55304.....
1183X	23516	Button Clamp Stop Screw for 17898, 17904, 63928 and 63929.....
1186C	23502	Bobbin Winder Base Screw for 41714 and 41716.....
1186E	24311	Stop Cam Interlocking Rod Case Spring Bracket Screw for 18493.....
1190C	8615	Feed Regulator Stop Screw.....
1191D	23520	Feed Regulator Thumb Screw.....
1192C	23486	Feed Cam Set Screw for 18395, 18396, 18397, 18399, 18402, 18403, 18404, 18405, 18406, 18407, 18408, 55309, 55454 and 55467.....
1194D	8615	Feed Plate Carrier Bar Pivot Block Screw.....
1195E	8615	Feed Plate Screw Stud for 18365, 18438, 18448 and 18486.....
1196AL	23525	Needle Bar Thread Nipper Driving Lever Hinge Screw.....
1196AL	24311	Trip Lever Hinge Screw for 55304.....
1198C	23498	Knife Screw for 55398 and 55460.....
1200D	24308	Needle Bar Thread Nipper Lever Hinge Screw.....
1201C	23525	Presser Bar Lifting Lever Hinge Screw.....
1204E	24311	Stop Cam Interlocking Rod Case Hinge Screw for 55304.....
1206C	23509	Stop Cam Screw for 68789.....
1207D	24308	Thread Wiper Body Hinge Screw.....
1208X	24316	Clamp Hook Stop Screw for 17912.....
1208X	24316	Clamp Spring Screw for 17912.....
1208J	23498	Throat Plate Needle Hole Bushing Screw for 55327, 55328, 55332, 55335 and 55403.....
1219X	24316	Clamp Spreader Stud for 17912.....
1221C	8615	Feed Plate Carrier Bar Block Screw for 18365, 18438, 18448, 18451 and 18486.....
1229F	8621	Arch Clamp Foot Spring Adjusting Screw for 55386.....
1254C	24311	Stop Cam Interlocking Rod Case Stop Stud Screw Bushing for 55304.....
1255J	23525	Knife Cam Lever Slide Screw for 68758.....
1258AL	24308	Needle Bar Connecting Stud Set Screw for 68769.....
1262C	24311	Starting Lever Hinge Screw for 55304.....
1289D	24312	Shuttle Race Ring Spring Screw for 18430.....
1300X	8615	Clamp Arm Bracket Hinge Block Screw for 39336.....
1300X	8615	Cylinder Block Screw.....

NUMERICAL LIST OF PARTS

No.	Plate	Name
1318J	24311	Stop Cam Interlocking Rod Stop Screw for 55285.....
1329J	24308	Needle Bar Thread Nipper Lever Spring Screw.....
1343E	24311	Stop Cam Interlocking Rod Case Bracket Screw.....
1382F	23525	Knife Bar Driving Lever Hinge Screw.....
1396AL	23525	Knife Cam Lever Hinge Screw Bushing Clamping Screw..... for 55468.....
1420E	23525	Knife Bar Driving Lever Lock Stud Stop Screw for 39297.....
1441AL	23509	Feed Cam Driving Worm Set Screw for 18415, 39211, 39231 and 124925.....
1442C	23509	Feed Cam Driving Worm Position Screw for 18415, 39211, 39231 and 124925.....
1508E	24311	Stop Cam Interlocking Rod Case Stop Stud Screw Bushing Lock Nut for 55304.....
1513J	23509	Oscillating Rock Shaft Hinge Pin Nut for 55453.....
1518E	23509	Crank Connecting Rod Hinge Screw Nut.....
1518E	24308	Needle Bar Connecting Link Hinge Screw Nut.....
1519E	23509	Oscillating Shaft Crank Slide Block Screw Stud Nut for 18387.....
1520E	23509	Arm Shaft Bushing (back) Adjusting Screw Nut.....
1520E	24311	Stop Cam Interlocking Rod Case Spring Adjusting Screw Nut for 39344.....
1547J	8621	Arch Clamp Foot Spring Adjusting Screw Lock Nut for 55386.....
1560C	8601	Eye and Finger Guard Tension Regulating Thumb Nut for 16202.....
1560C	8593	Tension Regulating Thumb Nut for 16202.....
1562J	23502	Bobbin Winder Tension Regulating Thumb Nut for 60770.....
1620J	23502	Bobbin Winder Frame Hinge Screw Nut for 41604 and 41713.....
1651E	23525	Needle Bar Thread Nipper Rod Adjusting Stud Lock Nut.....
1653C	23486	Feed Cam Shaft Nut for 55419, 62264, 124874 and 124927.....
1654C	8615	Clamp Arm Bracket Hinge Screw Nut for 39336.....
1654C	8615	Feed Plate Nut for 18436, 18449, 18453, 18490, 18491, 55386 and 69-5, 69-6, 69-15, 69-17 and 69-18 Machines.....
1654C	23525	Knife Cam Lever Roller and Screw Stud Nut for 51943.....
1655C	23520	Feed Regulator Roller and Screw Stud Nut for 1953.....
1657X	24316	Clamp Spreader Stud Thumb Nut for 17912.....
1662C	24311	Starting Lever Hinge Screw Nut for 55304.....
1676C	23520	Feed Across Regulator Ball Screw Stud Nut.....
1681C	23525	Knife Bar Driving Lever Hinge Screw Nut.....
1698J	8601	Eye and Finger Guard Carrying Arm Hinge Screw (back) Nut for 121613.....
1698E	23498	Knife Holder Pinion Stud Bracket Screw Nut for 55404, 55461, 55462, 55463 and 55464.....
1735J	8601	Eye and Finger Guard Carrying Arm Hinge Screw (front) Nut for 121613.....
1819	23513	Thread Take-up Lever Roller and Stud for 56756.....
1822	23509	Thread Take-up Lever Roller and Stud for 18393.....
1952	23520	Feed Across Regulator Roller and Stud for 18356.....
1953	23520	Feed Regulator Roller and Screw Stud with 1655C and 37310, for 17742, 18487 and 39312.....
2022	23509	Pulley (tight) Pin.....
2049	23509	Oscillating Shaft Crank Pin.....
2049	23509	Shuttle Driver Pin.....
2058	24308	Presser Bar.....
2073	23498	Shuttle Bobbin for 39296.....
2076	23498	Shuttle Cover Hinge Pin for 39296.....
2078	23498	Shuttle Delivery Eye Thread Guard for 44001.....
2080	23498	Shuttle Delivery Eye Thread Guard Rivet for 44001.....
2082	23498	Shuttle Main Spring for 39295.....
2084	23498	Shuttle Main Spring Steady Pin for 39295.....

NUMERICAL LIST OF PARTS

No.	Plate	Name
2086	23498	Shuttle Tension Spring for 44001.....
2090	23498	Shuttle Tension Spring Plate for 44001.....
2102	8601	Eye and Finger Guard Tension Disc for 56791.....
2102	8593	Tension Disc for 56791.....
2103	8601	Eye and Finger Guard Tension Spring for 56791.....
2103	8593	Tension Spring for 56791.....
2105	8601	Eye and Finger Guard Tension Thread Guard for 68741.....
2105	8593	Tension Thread Guard for 63736.....
2107	8601	Eye and Finger Guard Face Plate Thread Guard for 68742.....
2107	8593	Face Plate Thread Guard for 17725.....
2124	8601	Eye and Finger Guard Thread Take-up Spring for 56791.....
2124	8593	Thread Take-up Spring for 56791.....
2127	8601	Eye and Finger Guard Thread Take-up Spring Regulator Plate for 68742.....
2127	8593	Thread Take-up Spring Regulator Plate for 17725.....
2211	23498	Shuttle Bobbin Retaining Spring for 39295.....
2212	23498	Shuttle Bobbin Retaining Spring Rivet for 39295.....
2455	23502	Bobbin Winder Tension Disc for 60770.....
2523	24312	Shuttle Race Cap Steady Pin for 18430.....
2770	23506	Starting Lever Rock Shaft Stop Dog with 140219C, for 55432 and 63981.....
2973	24312	Shuttle Bobbin Case Latch Lever for 15141.....
2974	24312	Shuttle Bobbin Case Latch Lever Fulcrum Pin for 15141.....
2975	24312	Shuttle Bobbin Case Latch Spring for 15277.....
2996	24312	Shuttle Bobbin for 21561.....
3012	23509	Stop Cam Pin.....
3012	23509	Thread Take-up Cam Pin.....
4292	23509	Crank Connecting Rod with 125044 and two 145E.....
4389	23509	Arm Dowel Pin.....
4448	23509	Arm Oil Tube for intermediate bearing.....
4604	23498	Cylinder End Cover Bracket Rivet for 18427.....
4784	23509	Oscillating Rock Shaft Oil Pad for 6022.....
6022	23509	Oscillating Rock Shaft with 4784, for 55278.....
6023	23513	Oscillating Shaft for 69-16 Machine.....
7071	24316	Button Spacing Gauge Screw Washer for 124952.....
7071	23525	Knife Bar Connection Screw Washer.....
7124	23506	Starting Lever Rock Shaft for 63981.....
7298	23498	Knife Holder Pinion Dowel Pin for 17825.....
7401	8618	Clamp Arm (lower) Bracket Steady Pin for 18452.....
8422	23502	Bobbin Winder Tension Thread Guide for 60770.....
8505	8615	Feed Plate Screw Stud Rivet for 18365, 18438, 18448 and 18486.....
8589	23520	Feed Regulator Bracket Dowel Pin.....
8589	23525	Knife Cam Lever Bracket Dowel Pin.....
9311	23517	Button Clamp Spring Steady Pin for 18464, 18465, 39238 and 39239.....
9330	8615	Clamp Arm Pin for 18490.....
9525	24316	Button Spacing Gauge Plate Screw Washer for 124952.....
9780	23502	Bobbin Winder Tension Bracket Position Stud for 60770.....
10875	8599	Wrench for 1518 and 1520 (Attachments and Accessories).....
11831	8599	Screw Driver (large) Attachments and Accessories.....
12424	23509	Oscillating Shaft Crank Slide Block Cap Screw Washer for 15171.....
14008	8618	Clamp Arm (upper) Bracket Hinge Pin for 63781.....
14079	8616	Arch Clamp Frame Dowel Pin for 18436, 18449, 18453, and 55386.....
14224	23506	Starting Lever Rock Shaft Chain, length 10 1/4 in., with 56864, for 63981.....
14230	24317	Table Belt Guide Pulley for 68767.....
15072	23502	Bobbin Window Bobbin Position Pin for 27538.....
15140	24312	Shuttle Bobbin Case Latch for 15141.....
15141	24312	Shuttle Bobbin Case Hinge for 15277, Nos. 2973, 2974 and 15140.....

NUMERICAL LIST OF PARTS

No.	Plate	Name
15170	23509	Oscillating Shaft Crank Slide Block for 15171.....
15171		Oscillating Shaft Crank Slide Block complete for 18387, Nos. 226J, 1035C, 12424 and 15170.....
15277	24312	Shuttle Bobbin Case complete, for 21561, Nos. 591F, 592E, 2975, 15141 and 15278.....
15278	24312	Shuttle Tension Spring for 15277.....
16128	23506	Starting Lever Rock Shaft Hanger with two wood screws 1 in. No. 10, for 63981.....
16202		Eye and Finger Guard Tension Screw Stud 600C with 1560C, for 56791.....
16202		Tension Screw Stud 600C with 1560C, for 56791.....
16532	24311	Stop Cam Interlocking Rod Case Bracket Dowel Pin.....
17702	23509	Arm Shaft.....
17703	23509	Arm Shaft Bushing (back).....
17706	23516	Button Clamp (left) with 17723, for 17898.....
17707	23516	Button Clamp (right) with 17723, for 17898.....
17708	24308	Button Clamp Lifter with 17866, for 69-5, 69-6, 69-15, 69-17 and 69-18 Machines.....
17710	23516	Button Clamp Arm Hinge Plate for 69-5, 69-6, 69-15, 69-17 and 69-18 Machines.....
17712	23516	Button Clamp Pressure Spring for use with 17898, 17904 and 63929.....
17712		Clamp Pressure Spring for use with 17912.....
17713	23516	Button Clamp Pressure Spring Bracket for 69-5, 69-6, 69-15, 69-17 and 69-18 Machines.....
17713	8618	Clamp Pressure Spring Bracket for 18452.....
17714	23516	Button Clamp Pressure Spring Guide Block for 17901 and 63927.....
17714	24316	Clamp Pressure Spring Guide Block for 17908.....
17716	23516	Button Clamp Spreader for 17898 and 17904.....
17717	23516	Button Clamp Spreader Lever for 17898, 17904, 63928 and 63929.....
17718	23516	Button Clamp Spreader Lever Locking Thumb Screw Washer for 17898, 17904, 63928 and 63929.....
17718	24316	Clamp Spreader Stud Thumb Nut Washer for 17912.....
17719	23516	Button Clamp Spreader Spring for 17898, 17904, 63928 and 63929.....
17720	23516	Button Clamp Spreader Steady Pin for 17722, 17903, 18466 and 39248.....
17721	23516	Button Clamp Spring, for flat buttons, for 17898.....
17722	23516	Button Clamp Stop with two 17720, for 17898.....
17723	23516	Button Clamp Stud for 17706, 17707, 17899, 17900, 18464, 18465, 39238 and 39239.....
17724	8593	Face Plate for 63736.....
17725	8593	Face Plate complete, Nos. 448AL, 2107, 2127, 56791, 63736 and two 233J.....
17738	23520	Feed Across Regulator Ball Screw Stud Nut Washer.....
17741	23509	Belt Cover Bracket Stud for 39290.....
17742	23520	Feed Regulator with 1953, for 55297.....
17743	8615	Feed Regulator Post for 18365, 18438, 18448 and 18451.....
17744	23520	Feed Regulator Hinge Stud.....
17745	23520	Feed Regulator Swivel for 55297 and 55298.....
17797	23486	Feed Cam Driving Worm Wheel with 453AL, for 62264.....
17800	23516	Feed Plate (thin) for flat buttons, for 69-5, 69-6, 69-17 and 69-18 Machines.....
17805	8615	Feed Plate Carrier Bar Pivot Block.....
17806	8615	Feed Plate Position Stud for 18365, 18438, 18448 and 18486.....
17806	8618	Feed Plate Rivet for 18452.....
17808	23498	Knife (shuttle thread) for 55398.....
17822	23525	Knife Bar Rack Rivet for 18370 and 18426.....
17825	23498	Knife Holder with 17826, 17830 and two 7298, for 55398 and 55460.....

NUMERICAL LIST OF PARTS

No.	Plate	Name
17826		Knife Holder Pinion for 17825.....
17827	23498	Knife Holder Pinion Stud for 17828.....
17828	23498	Knife Holder Pinion Stud Bracket with 17827, for 55404, 55461, 55462, 55463 and 55464.....
17829	23498	Knife Thread Holder for 55398 and 55460.....
17830	23498	Knife Thread Holder Position Pin for 17825.....
17831	24308	Needle Bar with 237AL.....
17834	24308	Needle Bar Thread Nipper Lever with 17835.....
17835	24308	Needle Bar Thread Nipper Lever Bushing for 17834.....
17837	23525	Needle Bar Thread Nipper Rod.....
17838	23525	Needle Bar Thread Nipper Rod Adjusting Stud.....
17839	23525	Needle Bar Thread Nipper Rod Arm with 196AL.....
17840	23525	Needle Bar Thread Nipper Rod Support.....
17841	24308	Presser Bar Collar with two 196AL.....
17842	24308	Presser Bar Guide Bracket with 453AL.....
17843	23525	Presser Bar Lifting Lever.....
17844	23525	Presser Bar Lifting Lever Bracket for 55405 and 55406.....
17845	23525	Presser Bar Lifting Lever Rod for 39408.....
17846	23525	Presser Bar Lifting Lever Rod Chain for 39408.....
17853	24311	Starting Lever for 55304.....
17854	23509	Stop Cam for 68789.....
17855	24311	Stop Cam Interlocking Rod for 55285.....
17859	24311	Stop Cam Interlocking Rod Case Socket Joint for 55304.....
17861	24311	Stop Cam Interlocking Rod Case Stop Stud for 55304.....
17862	24311	Stop Cam Interlocking Rod Case Stop Stud Spring for 55304.....
17863	24311	Stop Cam Interlocking Rod Spring for 55285.....
17864	24311	Stop Cam Interlocking Rod Stop for 55285.....
17865	24308	Thread Wiper Body.....
17866	24308	Thread Wiper Body Hook for 17708, 17958 and 39206.....
17867	24308	Thread Wiper Body Support.....
17868	24308	Thread Wiper Body Wire.....
17869	24308	Thread Wiper Body Wire Screw Washer.....
17873	24311	Trip Lever Spring for 55304.....
17874	23486	Tripping Point for 18395, 18396, 18397, 18399, 18402, 18403, 18404, 18405, 18406, 18407, 18408, 55309, 55454 and 55467.....
17876	24317	Starting Lever and Foot Lifter Treadle with 443AL, for 17884.....
17877	24317	Starting Lever and Foot Lifter Treadle Pitman Rod (lower) for 17880.....
17878	24317	Starting Lever and Foot Lifter Treadle Pitman Rod (upper) for 17880.....
17879	24317	Starting Lever and Foot Lifter Treadle Pitman Rod Clamp with two 161E, for 17880.....
17880	24317	Starting Lever and Foot Lifter Treadle Pitman complete, for 17885, Nos. 17877, 17878 and 17879.....
17881	24317	Starting Lever and Foot Lifter Treadle Shaft for 17884.....
17882	24317	Starting Lever and Foot Lifter Treadle Spring for 17884.....
17883	24317	Starting Lever and Foot Lifter Treadle Stand for 17884.....
17884	24317	Starting Lever and Foot Lifter Treadle complete, for 17885, Nos. 17876, 17881, 17882, 17883 and two wood screws 1 in. No. 10.....
17885		Starting Lever and Foot Lifter Treadle and Pitman complete Nos. 17880 and 17884.....
17886	24311	Starting Lever Pitman.....
17898	23516	Button Clamp (universal) complete, for 14 to 36 ligne buttons, for 69-5, 69-6, 69-15, 69-17 and 69-18 Machines, Nos. 236X, 1180X, 1181X, 1182X, 1183X, 17706, 17707, 17716, 17717, 17718, 17719, 17721 or 17938, 17722, 17901, 50237K and two 1175X.....
17899	23517	Button Clamp (left) with 17723, for 17904.....
17900	23517	Button Clamp (right) with 17723, for 17904.....

No.	Plate	Name
17901	23516	Button Clamp Arm with 17714, 23227 and 68799, for 17898 and 17904.....
17902	23517	Button Clamp Spring, for flat buttons, for 17904.....
17903	23517	Button Clamp Stop with two 17720, for 17904.....
17904	23517	Button Clamp (universal) complete, for 26 to 46 ligne buttons, for 69-5, 69-6, 69-15, 69-17 and 69-18 Machines, Nos. 236X, 1180X, 1181X, 1182X, 1183X, 17716, 17717, 17718, 17719, 17899, 17900, 17901, 17902 or 17939, 17903, 50237K and two 1175X.....
17905	8599	Wrench for 1654 and 1675 (Attachments and Accessories).....
17906	24316	Clamp (left) with 23219, for 17912.....
17907	24316	Clamp (right) for 17912.....
17908	24316	Clamp Arm with 17714 and 68799, for 17912.....
17909	24316	Clamp Spreader Spring for 17912.....
17910	24316	Clamp Spring for 17912.....
17911	24316	Clamp Hook Stop for 17912.....
17912	24316	Clamp complete, for hooks and eyes, for 69-5 and 69-6 Machines, Nos. 1182X, 1219X, 1657X, 17718, 17906, 17907, 17908, 17909, 17910, 17911 and two each 1175X and 1208X.....
17915	23525	Knife Bar Connection Slide Block for 17917.....
17916	23525	Knife Bar Connection Slide Block Stud for 17917.....
17917	Knife Bar Connection Slide Block 17915 with 17916, for 18372.....
17919	23525	Knife Bar Driving Lever Lock Stud Spring for 39297.....
17923	23516	Feed Plate (thick) for round bottom buttons, for 69-5, 69-6, 69-17 and 69-18 Machines.....
17938	23516	Button Clamp Spring, for stud back buttons, for 17898.....
17939	23517	Button Clamp Spring, for stud back buttons, for 17904.....
17957	8619	Arch Clamp Foot with 17959, for 18453.....
17958	24309	Arch Clamp Foot Lifter with 17866, for 69-8, 69-9, 69-14, 69-16 and 69-26 Machines.....
17958	24309	Clamp Arm Lifter with 17866, for 69-7, 69-12 and 69-13 Machines.....
17958	24309	Clamp Arm (upper) Lifter with 17866, for 69-10 Machine.....
17959	8616	Arch Clamp Foot Lifting Stud for 17957, 17964, 17965, 18431 and 18432.....
17960	8619	Arch Clamp Foot Plate, for 18453.....
17963	8619	Feed Plate for 18453.....
17964	8616	Arch Clamp Foot (left) with 17959, for 18449.....
17965	8616	Arch Clamp Foot (right) with 17959, for 18449.....
17966	8616	Arch Clamp Foot Plate for 18449.....
17967	8616	Arch Clamp Foot Spring Connection for 18449.....
17968	8616	Arch Clamp Frame for 18449.....
17970	8616	Feed Plate for 18449.....
17976	8618	Clamp Arm (lower) left, for 18452.....
17977	8618	Clamp Arm (lower) right, for 18452.....
17978	8618	Clamp Arm (lower) Bracket for 63781.....
17979	8618	Clamp Arm (upper) left, with 17986 and 68738, for 18452.....
17980	8618	Clamp Arm (upper) right, with 17986 and 68738, for 18452.....
17981	8618	Clamp Arm (upper) Bracket for 63781.....
17982	8618	Clamp Pressure Spring for 18452.....
17983	8618	Clamp Spreader Lever for 18452.....
17984	8618	Clamp Spreader Lever Friction Washer for 18452.....
17985	8618	Clamp Spreader Lever Hinge Stud for 18451.....
17986	8618	Clamp Spreader Stud for 17979 and 17980.....
17988	8618	Feed Plate (left) for 18452.....
17989	8618	Feed Plate (right) for 18452.....
17992	8615	Clamp Arm (lower) Hook for 63811.....
17997	Feed Cam Driving Worm Wheel with 453AL, for 124874.....
17999	8620	Clamp Arm with two 39257, for 18491.....
18356	23520	Feed Across Regulator with 1952, for 55297, 55298 and 55299.....

No.	Plate	Name
18357	23520	Feed Across Regulator Hinge Stud for 55297, 55298 and 55299.....
18358	23509	Feed Across Shaft.....
18359	23509	Feed Across Shaft Collar with two 200C.....
18360	23509	Feed Across Shaft Crank (back) with 160E and 200C, for 69-5, 69-6, 69-7, 69-10, 69-13, 69-14, 69-15, 69-16, 69-17 and 69-18 Machines.....
18362	23509	Feed Across Shaft Crank (front) with 160E and 18363.....
18363	23509	Feed Across Shaft Crank (front) Stud for 18362.....
18364	8615	Feed Across Shaft Crank (front) Stud Slide Block.....
18365	8615	Feed Plate Carrier Bar with 934J, 1195E, 1221C, 8505, 17743, 18366, 18390, two 55300 and four 17806, for 18490, 18491 and 69-5, 69-6, 69-15, 69-17 and 69-18 Machines.....
18366	8615	Feed Plate Carrier Bar Block for 18365, 18438, 18448, 18451 and 18486.....
18367	8615	Feed Plate Carrier Bar Block Cover for 18436, 18449, 18452, 18453, 18490, 18491 and 55386 and 69-5, 69-6, 69-15, 69-17 and 69-18 Machines.....
18370	23525	Knife Bar with 18373 and two 17822, for all machines except 69-11.....
18371	23525	Knife Bar Cap.....
18372	23525	Knife Bar Connection with 17917.....
18373	23525	Knife Bar Rack for 18370 and 18426.....
18379	23498	Cylinder End Cover Spring.....
18384	23486	Feed Cam Driving Worm Wheel Pin.....
18384	23486	Feed Cam Pin.....
18385	23509	Oscillating Shaft for all machines except 69-16.....
18386	23509	Oscillating Shaft Crank for 18387.....
18387	Oscillating Shaft Crank complete, Nos. 237AL, 1519E, 15171 and 18386.....
18388	8615	Cylinder Block.....
18390	8615	Feed Plate Carrier Bar Plate for 18365, 18438, 18448, 18451 and 18486.....
18392	23509	Thread Take-up Cam with 446AL, for all machines except 69-16.....
18393	Thread Take-up Lever with 1822, for 68775.....
18395	23486	Feed Cam with two each 1192C, 17874 and four 190J, for 69-5 Machine.....
18396	Feed Cam with two 1192C, three 17874 and six 190J, for 69-6 Machine.....
18397	Feed Cam with 17874 and two each 190J and 1192C, for 69-7 Machine.....
18399	Feed Cam with two each 1192C, 17874 and four 190J, for 69-9 and 69-10 Machines.....
18402	Feed Cam with two each 1192C, 17874 and four 190J, for 69-12 Machine.....
18403	Feed Cam with two 1192C, three 17874 and six 190J, for 69-13 Machine.....
18404	Feed Cam with two each 190J, 1192C and 17874, for 69-14 Machine.....
18405	Feed Cam with 17874 and two each 190J and 1192C, for 69-15 Machine.....
18406	Feed Cam with two each 190J, 1192C and 17874, for 69-16 Machine.....
18407	23507	Feed Cam with 17874 and two each 190J and 1192C, for 69-8 Machine.....
18408	Feed Cam (double nipper depression) with 17874 and two each 190J and 1192C, for 69-11 Machine.....
18411	24312	Shuttle Race Body for 18430.....
18415	23509	Feed Cam Driving Worm with 1441AL and 1442C, for 69-5, 69-6, 69-8, 69-9, 69-10, 69-11, 69-13, 69-14 and 69-16 Machines.....
18419	8599	Cylinder Base Plate with two 453AL, for 18424.....

NUMERICAL LIST OF PARTS

No.	Plate	Name
18420	8599	Cylinder Base Plate Hinge Connection for 18424.....
18421	23511	Feed Across Shaft Crank (back) with 160E and 200C, for 69-8, 69-9, 69-11, 69-12 and 69-26 Machines.....
18423	8599	Cylinder Base Plate Hinge Connection Hinge Pin for 18424.....
18424	8599	Cylinder Base Plate (hinged) complete, Nos. 18419, two each 18420, 18423, three wood screws 1 1/4 in. No. 12 and four 134E (Attachments and Accessories).....
18426	24307	Knife Bar with 18373 and two 17822, for 69-11 Machine.....
18427	23498	Cylinder End Cover with 18428, 18444 and three 4604.....
18428	23498	Cylinder End Cover Bracket for 18427.....
18429	24312	Shuttle Race Ring for 18430.....
18430	24312	Shuttle Race (flexible) complete, for all machines except 69-16, Nos. 662AL, 2523, 18411, 18429, 21623 and two each 1289D and 55439.....
18431	23518	Arch Clamp Foot (left) with 17959, for 18436.....
18432	23518	Arch Clamp Foot (right) with 17959, for 18436.....
18433	23518	Arch Clamp Foot Plate for 18436.....
18434	23518	Arch Clamp Foot Spring Connection for 18436.....
18435	23518	Arch Clamp Frame for 18436.....
18436	23518	Arch Clamp complete, for 69-9 Machine, Nos. 1654C, 18367, 18431, 18432, 18433, 18434, 18435, 18438, 18459, 39302, two each 181X, 1175X, 14079 and five 217X.....
18438	8619	Feed Plate Carrier Bar with 934J, 1195E, 1221C, 8505, 17743, 18366, 18390, two 55300 and four 17806, for 18436 and 18453.....
18443	24311	Stop Cam Interlocking Rod Case Wearing Block for 55488.....
18444	23498	Cylinder End Cover Bracket Hinge Pin for 18427.....
18448	8616	Feed Plate Carrier Bar with 934J, 1195E, 1221C, 8505, 17743, 18366, 18390, two 55300 and four 17806, for 18449.....
18449	8616	Arch Clamp complete, for 69-8 and 69-26 Machines, Nos. 1654C, 17964, 17965, 17966, 17967, 17968, 17970, 18367, 18448, 39302, two each 1175X, 1177X, 14079 and five 217X.....
18451	8618	Feed Plate Carrier Bar with 934J, 1221C, 17743, 17985, 18366, 18390 and two 55300, for 18452.....
18452	8618	Clamp complete, for 69-10 Machine, Nos. 181X, 957X, 1177X, 1178X, 17713, 17976, 17977, 17979, 17980, 17982, 17983, 17984, 17988, 17989, 18367, 18451, 20437, 63781, two 7401 and four each 90F and 17806.....
18453	8619	Arch Clamp complete, for 69-11 Machine, Nos. 1175X, 1654C, 17957, 17960, 17963, 18367, 18438, 39250, 39303, two each 181X, 14079 and five 217X.....
18459	23518	Feed Plate for 18436.....
18464	23519	Button Clamp (left) with 9311 and 17723, for 63929.....
18465	23519	Button Clamp (right) with 9311 and 17723, for 63929.....
18466	23519	Button Clamp Stop with two 17720, for 63929.....
18468	23519	Feed Plate for 69-15 Machine.....
18473	Arch Clamp Foot (left) for 55384.....
18475	Arch Clamp Foot (right) for 55385.....
18477	8621	Arch Clamp Foot Plate for 55386.....
18484	8621	Feed Plate for 55386.....
18486	8621	Feed Plate Carrier Bar with 810D, 934J, 1195E, 1221C, 8505, 18366, 18390, 18488, 18489, two 55300 and four 17806, for 55386.....
18487	23523	Feed Regulator with 1953, for 55298.....
18488	8621	Feed Regulator Post for 18486.....
18489	8621	Feed Regulator Post Guide for 18486.....
18490	8615	Clamp complete, for 69-7 and 69-12 Machines, Nos. 1654C, 9330, 18365, 18367, 39304, 39336, 63811 and 63812.....

NUMERICAL LIST OF PARTS

No.	Plate	Name
18491	8620	Clamp complete, for 69-13 Machine, Nos. 1654C, 17999, 18365, 18367, 39258 and 39336.....
18493	24311	Stop Cam Interlocking Rod Case Bracket 55304 with 39343, 39344 and two 1186E.....
18498	23509	Belt Cover.....
19793	23525	Knife Cam Lever Slide Steady Pin for 68759.....
20437	23516	Button Clamp Pressure Spring Screw Washer for 69-5, 69-6, 69-15, 69-17 and 69-18 Machines.....
20437	Clamp Pressure Spring Screw Washer for 18452.....
21327	23506	Starting Lever Rock Shaft Hanger with two wood screws 1 in. No. 10, for 55432.....
21561	24312	Shuttle, 1 11/16 in. diam., for all machines except 69-16, Nos. 2996, 15277 and 21562.....
21562	24312	Shuttle Body for 21561.....
21623	24312	Shuttle Race Cap for 18430.....
22003	8599	Wrench for 1651 (Attachments and Accessories).....
23219	24316	Clamp Spring Steady Pin for 17906.....
23227	23516	Button Clamp Spring Steady Pin for 17901.....
26026	8599	Screw Driver (machine) Attachments and Accessories.....
26485	8599	Screw Driver (shuttle tension) Attachments and Accessories.....
27305	23503	Bobbin Winder Spindle for 41713.....
27321	23502	Bobbin Winder Frame for 41604 and 41713.....
27326	23503	Bobbin Winder Stop Latch for 41713.....
27328	23502	Bobbin Winder Stop Latch for 41604.....
27538	23502	Bobbin Winder Spindle with 15072, 27850 and 41828, for 41604.....
27662	8599	Wrench for 1508 (Attachments and Accessories).....
27683	23506	Starting Lever Rock Shaft Arm with two 356C, for 55432 and 63981.....
27739	23289	Thread Unwinder Thread Cone (wood) for large cones.....
27850	NOTE:	No. 27739 is used with, but not included in 225258
27916	23502	Bobbin Winder Spindle Collar for 27538.....
28084	23502	Bobbin Winder Brake (leather) for 41598.....
32134	23502	Bobbin Winder Brake Rivet for 41598.....
32675	23506	Starting Lever Rock Shaft Spring for 55432 and 63981.....
37310	24308	Presser Bar Spring.....
39203	23520	Feed Regulator Roller and Screw Stud Nut Washer for 1953.....
39204	24308	Needle Bar Connecting Link for 68768.....
39206	23513	Thread Take-up Cam with 446AL, for 69-16 Machine.....
39211	24310	Arch Clamp Foot Lifter with 17866, for 69-11 Machine.....
39212	23512	Feed Cam Driving Worm with 1441AL and 1442C, for 69-12, 69-17 and 69-18 Machines.....
39222	Feed Cam Driving Worm Wheel with 453AL, for 55419.....
39231	24311	Belt Shifter for 55285.....
39238	23510	Feed Cam Driving Worm with 1441AL and 1442C, for 69-7 and 69-15 Machines.....
39239	23517	Button Clamp (left) with 9311 and 17723, for 63928.....
39241	23517	Button Clamp (right) with 9311 and 17723, for 63928.....
39242	23517	Button Clamp Pressure Spring for use with 63928.....
39244	23517	Button Clamp Spreader for 63928 and 63929.....
39245	23517	Button Clamp Spring (left) for flat buttons, for 63928 and 63929.....
39246	23517	Button Clamp Spring (right) for flat buttons, for 63928 and 63929.....
39247	23517	Button Clamp Spring (left) for stud back buttons, for 63928 and 63929.....
39248	23517	Button Clamp Spring (right) for stud back buttons, for 63928 and 63929.....
39250	23517	Button Clamp Stop with two 17720, for 63928.....
39257	8619	Arch Clamp Frame for 18453.....
8620	8620	Clamp Arm Hook for 17999.....

NUMERICAL LIST OF PARTS

No.	Plate	Name
39258	8620	Feed Plate (thin) for 18491.....
39276	24308	Needle Bar Thread Nipper Lever Spring.....
39290	23509	Belt Cover Bracket with 184E and 17741.....
39295	23498	Shuttle Body with 398E, 2082, 2084, 2211 and two 2212, for 39296.....
39296	23498	Shuttle complete, for 69-16 Machine, Nos. 2073, 2076, 39295 and 44001.....
39297	23525	Knife Bar Driving Lever with 190J, 1420E, 17919 and 39298.....
39298	23525	Knife Bar Driving Lever Lock Stud for 39297.....
39302	8616	Arch Clamp Foot Spring for 18436 and 18449.....
39303	8619	Arch Clamp Foot Spring for 18453.....
39304	8615	Feed Plate for 18490.....
39312	23524	Feed Regulator with 1953, for 55299.....
39313	23524	Feed Regulator Swivel for 55299.....
39330	23525	Knife Cam Lever Slide with 51943, for 68758.....
39331	23525	Knife Cam Lever Slide Screw Washer for 68758.....
39333	8615	Clamp Arm Bracket for 39336.....
39334	8615	Clamp Arm Bracket Hinge Block for 39336.....
39335	8615	Clamp Arm Screw Plate for 39336.....
39336		Clamp Arm Bracket (adjustable) complete for 18490 and 18491, Nos. 129X, 1178X, 1300X, 1654C, 39333, 39334, 39335 and 50048X.....
39340		Button Clamp Spring for 39341.....
39341		Button Clamp Spring 39340 with 39342, for flat or stud back buttons, for use with 17904.....
39342		Button Clamp Spring Plate for 39341.....
39343	24311	Stop Cam Interlocking Rod Case Spring (flat) for 18493.....
39344	24311	Stop Cam Interlocking Rod Case Spring Bracket with 1520E and 50682C, for 18493.....
39346	24311	Stop Cam Interlocking Rod Case Bracket for 55304.....
39350	23525	Needle Bar Thread Nipper Driving Lever (adjustable) with 39351 and two 335J.....
39351	23525	Needle Bar Thread Nipper Driving Lever Extension for 39350.....
39352	23525	Needle Bar Thread Nipper Driving Lever Spring.....
39362	8620	Feed Plate (thick) for 69-13 Machine.....
39408		Presser Bar Lifting Lever Rod 17845 with 17846.....
39487	23513	Shuttle Driver with two 457AL, for 69-16 Machine.....
41400	8599	Machine Rest Pin (wood) Attachments and Accessories.....
41598	23502	Bobbin Winder Base with 27916 and two 28084, for 41604 and 41713.....
41600	23502	Bobbin Winder Pulley with 155C, for 41604 and 41713.....
41604		Bobbin Winder for 41716, Nos. 35D, 1620J, 27321, 27328, 27538, 41598, 41600, 41825 and 50356D.....
41713		Bobbin Winder for 41714, Nos. 35D, 1620J, 27305, 27321, 27326, 41598, 41600, 41825 and 50356D.....
41714	23503	Bobbin Winder (swinging automatic, left hand) complete, for 69-16 Machine, Nos. 161J, 41713, 60770 and two 1186C.....
41716	23502	Bobbin Winder (swinging automatic, left hand) complete, for all machines except 69-19, Nos. 161J, 41604, 60770 and two 1186C.....
41825	23502	Bobbin Winder Frame Spring for 41604 and 41713.....
41828	23502	Bobbin Winder Spindle Collar Pin for 27538.....
43808	23502	Bobbin Winder Tension Spring for 60770.....
44001	23498	Shuttle Cover with 112J, 466H, 2078, 2080, 2086 and 2090, for 39296.....
50018F	23498	Knife Holder Pinion Stud Bracket Screw for 55404, 55461, 55462, 55463 and 55464.....
50029C	23525	Knife Cam Lever Hinge Screw.....
50048X	8615	Clamp Arm Bracket Hinge Screw (eccentric) for 39336.....
50117AL	23498	Knife (stationary) Screw for 55404, 55461, 55462, 55463 and 55464.....

NUMERICAL LIST OF PARTS

No.	Plate	Name
50165J	8601	Eye and Finger Guard Frame Screw for 121613.....
50222K	8601	Eye and Finger Guard Carrying Arm Hinge Screw (front) for 121613.....
50237K	23516	Button Clamp Spreader Lever Hinge Screw for 17898, 17904, 63928 and 63929.....
50333AL	23509	Arm Shaft Bushing (back) Adjusting Screw.....
50356D	23502	Bobbin Winder Frame Hinge Screw for 41604 and 41713.....
50435K	8601	Eye and Finger Guard Depressing Screw for 121626.....
50435K	8601	Eye and Finger Guard Guiding Rod Hinge Screw for 121613.....
50598C	23520	Feed Across Regulator Ball Screw Stud for 55378, 55379 and 55380.....
50682C	24311	Stop Cam Interlocking Rod Case Spring Adjusting Screw for 39344.....
51067C	23506	Starting Lever Rock Shaft Arm Set Screw for 55435.....
51140E	23525	Knife Cam Lever Hinge Screw Bushing Position Screw for 68762.....
51381D	23498	Shuttle Race Ring Spring Screw for 55438.....
51387R	23509	Pulley (loose) Cap Screw for 68790.....
51403J	23498	Shuttle Race Screw for 69-16 Machine.....
51943	23525	Knife Cam Lever Roller and Screw Stud with 1654C, for 39330.....
55271	23498	Shuttle Race Ring for 55438.....
55278		Oscillating Rock Shaft complete, Nos. 6022 and 55453.....
55285		Stop Cam Interlocking Rod Case 55489 with 1318J, 17855, 17863, 17864, 39222 and 68739, for 55304.....
55297		Feed Regulator Bracket 55486 with 17742, 18356 and 18357, for 69-5, 69-6, 69-7, 69-8, 69-9, 69-10, 69-11, 69-12, 69-13, 69-17, 69-18 and 69-26 Machines.....
55298		Feed Regulator Bracket 55486 with 17745, 18356, 18357 and 18487, for 69-14 and 69-16 Machines.....
55299		Feed Regulator Bracket 55491 with 18356, 18357, 39312 and 39313, for 69-15 Machine.....
55300	8615	Feed Plate Carrier Bar Block Steady Pin for 18365, 18438, 18448, 18451 and 18486.....
55304		Stop Cam Interlocking Rod Case Bracket complete, for 18493, Nos. 1182J, 1196AL, 1204E, 1254C, 1262C, 1508E, 1662C, 17853, 17859, 17861, 17873, 39346, 55285, 68820 and two 898J.....
55309		Feed Cam with two 1192C and four each 190J and 17874, for 69-18 Machine.....
55321	23498	Knife (stationary) for 55404, 55461, 55462, 55463 and 55464.....
55324	24312	Throat Plate for 55327, 55328, 55332 and 55335.....
55325	23498	Throat Plate Needle Hole Bushing (large needle hole) for 55327 and 55403.....
55326	24313	Throat Plate Needle Hole Bushing (small needle hole) for 55328.....
55327		Throat Plate 55324 with 55325 and two 1208J, for 55461.....
55328		Throat Plate 55324 with 55326 and two 1208J, for 55462.....
55331	24315	Throat Plate Needle Hole Bushing for 55332.....
55332		Throat Plate 55324 with 55331 and two 1208J, for 55463.....
55334	24314	Throat Plate Needle Hole Bushing for 55335.....
55335		Throat Plate 55324 with 55334 and two 1208J, for 55464.....
55376	23520	Feed Across Connection with four 1057AL, for 55378, 55379 and 55380.....
55378		Feed Across Connection 55376 with 50598C and 55381, for 69-5, 69-6, 69-7, 69-10, 69-13, 69-14, 69-15, 69-16, 69-17 and 69-18 Machines.....

NUMERICAL LIST OF PARTS

No.	Plate	Name
55379		Feed Across Connection 55376 with 50598C and 55382, for 69-8, 69-9, 69-11 and 69-26 Machines.
55380		Feed Across Connection 55376 with 50598C and 55383, for 69-12 Machine.
55381	23520	Feed Across Shaft Crank (back) Ball Stud for 55378
55382	23521	Feed Across Shaft Crank (back) Ball Stud for 55379
55383	23522	Feed Across Shaft Crank (back) Ball Stud for 55380
55384	8621	Arch Clamp Foot (left) 18473 with 219XC and 63731, for 55386.
55385	8621	Arch Clamp Foot (right) 18475 with 219XC and 63732, for 55386.
55386	8621	Arch Clamp complete, for 69-14 and 69-16 Machines, Nos. 1654C, 18367, 18477, 18484, 18486, 55384, 55385, 63734, two each 181X, 1229F, 1547J, 14079, 63733 and four 190X.
55397	23498	Knife (needle thread) for 55398.
55398		Knife Holder 17825 with 1198C, 17808, 17829 and 55397, for 55404.
55402	23498	Throat Plate for 55403.
55403		Throat Plate 55402 with 55325 and two 1208J, for 55404.
55404	23498	Throat Plate complete, for 69-16 Machine, Nos. 1698E, 17828, 50018F, 50117AL, 55321, 55398 and 55403.
*55405		Arm with 17844 and two 164E, for all Machines except 69-8 and 69-26.
*55406		Arm with 17844 and two 164E, for 69-8 and 69-26 Machines.
*55407		Cylinder for all machines except 69-16.
55419		Feed Cam Shaft 62155 with 1653C and 39212, for 69-12, 69-17 and 69-18 Machines.
55431	23506	Starting Lever Rock Shaft for 55432.
55432	23506	Starting Lever Rock Shaft complete, for Series 1800, 2800, 538 and 548 Motors, Nos. 27683, 32134, 55431, 55433, 55435, wood screw 1 in. No. 12 F.H. and two each 2770 and 21327.
55433	23506	Starting Lever Rock Shaft Chain, length 10 1/4 in. with two 56865, for 55432.
55435	23506	Starting Lever Rock Shaft Arm with two 51067C, for 55432.
*55436		Cylinder for 69-16 Machine
55437	23498	Shuttle Race Body for 55438.
55438	23498	Shuttle Race complete, for 69-16 Machine Nos. 55271, 55437 and two each 51381D and 55439.
55439	23498	Shuttle Race Ring Spring for 18430 and 55438.
55452	23509	Oscillating Rock Shaft Hinge Pin for 55453.
55453		Oscillating Rock Shaft Hinge Pin 55452 with 1513J, for 55278.
55454	23508	Feed Cam (double nipper depression) with 17874 and two each 190J and 1192C, for 69-26 Machine.
55458	24312	Knife (needle thread) for 55460.
55459	24312	Knife (shuttle thread) for 55460.
55460		Knife Holder 17825 with 1198C, 17829, 55458 and 55459, for 55461, 55462, 55463 and 55464.
55461	24312	Throat Plate complete, for 69-5, 69-8, 69-15 and 69-17 Machines, Nos. 1698E, 17828, 50018F, 50117AL, 55321, 55327 and 55460.
55462	24313	Throat Plate, complete, for 69-6, 69-9, 69-10, 69-13, 69-14, 69-18 and 69-26 Machines, Nos. 1698E, 17828, 50018F, 50117AL, 55321, 55328 and 55460.
55463	24315	Throat Plate complete, for 69-11 Machine, Nos. 1698E, 17828, 50018F, 50117AL, 55321, 55332 and 55460.
55464	24314	Throat Plate complete, for 69-7 and 69-12 Machines, Nos. 1698E, 17828, 50018F, 50117AL, 55321, 55335 and 55460.

NUMERICAL LIST OF PARTS

No.	Plate	Name
55467		Feed Cam with two each 1192C, 17874 and four 190J, for 69-17 Machine.
55468	23525	Knife Cam Lever Bracket with 1396AL.
55486	23520	Feed Regulator Bracket with two each 160J and 446AL, for 55297 and 55298.
55487	24311	Stop Cam Interlocking Rod Case for 55488.
55488		Stop Cam Interlocking Rod Case 55487 with 18443 and two 193J, for 55489.
55489		Stop Cam Interlocking Rod Case 55488 with 63976 and two 140366J, for 55285.
55491	23524	Feed Regulator Bracket with two each 160J and 446AL, for 55299.
56756	23513	Thread Take-up Lever with 76C and 1819, for 69-16 Machine.
56791		Eye and Finger Guard Tension complete, for 68742, Nos. 2103, 2124, 16202 and two 2102.
56791	8593	Tension complete, for 17725, Nos. 2103, 2124, 16202 and two 2102.
56864	23506	Starting Lever Rock Shaft Chain Hook for 14224.
56865	23506	Starting Lever Rock Shaft Chain Hook for 55433.
59797	23505	Button Tray with two wood screws 1 1/4 in. No. 14, for 69-5, 69-6, 69-15, 69-17 and 69-18 Machines (Attachments and Accessories).
60769	23502	Bobbin Winder Tension Bracket for 60770.
60770	23502	Bobbin Winder Tension Bracket complete, for 41714 and 41716, Nos. 419E, 1562J, 8422, 9780, 43808, 60769 and two 2455.
60811	24317	Table Belt Guide with two 448AL, for 68767.
62155	23486	Feed Cam Shaft for 55419, 62264, 124874 and 124927.
62264		Feed Cam Shaft 62155 with 1653C and 17797, for 69-5, 69-6, 69-7, 69-8, 69-9, 69-10, 69-11, 69-13, 69-14 and 69-16 Machines.
63726	8621	Arch Clamp Foot Lifting Stud for 63731 and 63732.
63731	8621	Arch Clamp Foot Shank (left) with 63726, for 55384.
63732	8621	Arch Clamp Foot Shank (right) with 63726, for 55385.
63733	8621	Arch Clamp Foot Spring for 55386.
63734	8621	Arch Clamp Frame for 55386.
63736		Face Plate 17724 with 2105, for 17725.
63781		Clamp Arm (lower) Bracket 17978 with 14008 and 17981, for 18452.
63811	8615	Clamp Arm (lower) with two 17992, for 18490.
63812	8615	Clamp Arm (upper) for 18490.
63927	23517	Button Clamp Arm with 17714 and 68799, for 63928 and 63929.
63928	23517	Button Clamp (universal) complete, for 10 to 50 ligne thin buttons, for 69-5, 69-6, 69-15, 69-17 and 69-18 Machines, Nos. 1180X, 1181X, 1182X, 1183X, 17717, 17718, 17719, 39238, 39239, 39242, 39244, or 39246, 39245 or 39247, 39248, 50237K, 63927 and two each 229X and 1175X.
63929	23519	Button Clamp (universal) complete, for 26 to 55 ligne buttons, for 69-15 Machine, Nos. 1180X, 1181X, 1182X, 1183X, 17717, 17718, 17719, 18464, 18465, 18466, 39242, 39244 or 39246, 39245 or 39247, 50237K, 63927 and two each 229X and 1175X.
63976	24311	Belt Shifter Clamp for 55489.
63981	23506	Starting Lever Rock Shaft complete, for Series 1600 Motors, Nos. 7124, 14224, 32134 and two each 2770, 16128 and 27683.
68738	8618	Clamp Arm (upper) Hook for 17979 and 17980.
68739	24311	Stop Cam Interlocking Rod Stop Screw Washer for 55285.
68740		Eye and Finger Guard Face Plate for 68741.

NUMERICAL LIST OF PARTS

No.	Plate	Name
68741	8601	Eye and Finger Guard Face Plate 68740 with 2105, for 68742
68742	Eye and Finger Guard Face Plate complete, for 121626, Nos. 448AL, 2107, 2127, 56791, 68741 and two 233J
68752	23509	Shuttle Driver with two 462AL, for all machines except 69-16
68757	23525	Knife Cam Lever Body for 68758
68758	Knife Cam Lever Body 68757 with 1255J, 39330 and 39331, for 68759
68759	Knife Cam Lever complete, Nos. 19793 and 68758
68762	23525	Knife Cam Lever Hinge Screw Bushing with 51140E
68764	24317	Table Belt Guide Bracket with two 153E, for 68767
68767	24317	Table Belt Guide complete, Nos. 68764, 68777, 68778, two each 14230, 60811 and three wood screws 1 1/4 in. No. 12 F.H.
68768	Needle Bar Connecting Link 39203 with 68769
68769	24308	Needle Bar Connecting Stud with 1258AL, for 68768
68775	23509	Thread Take-up Lever 18393 with 140414C, for all machines except 69-16
68777	24317	Table Belt Guide Pulley Shaft (long) with 68779, for 68767
68778	24317	Table Belt Guide Pulley Shaft (short) with 68780, for 68767
68779	24317	Table Belt Guide Pulley Shaft (long) Wick for 68777
68780	24317	Table Belt Guide Pulley Shaft (short) Wick for 68778
68784	23509	Pulley (loose) 2 3/4 in. diam., with 200584D, for 68785
68785	Pulley (loose) 68784 with 68786, for 68790 and 68827
68786	23509	Pulley (loose) Ball Bearing for 68785
68787	23509	Pulley (loose) Spacing Collar for 68790 and 68827
68788	23509	Pulley (tight) 2 7/8 in. diam., for 68789
68789	Pulley (tight) 68788 with 1206C and 17854, for 68790
68790	Pulleys (ball bearing) complete, Nos. 51381R, 68785, 68787 and 68789
68799	23516	Button Clamp Arm Hook for 17901 and 63927
68799	24316	Clamp Arm Hook for 17908
68818	24311	Trip Lever Releaser for 68820
68819	24311	Trip Lever Tripper for 68820
68820	Trip Lever (adjustable) complete, for 55304, Nos. 190J, 68818 and 68819
68827	Pulley (loose) 68785 with 68787 (for Agents only)
120346	8599	Oiler (copper plated) with 120347 (Attachments and Accessories)
120347	8599	Oiler Spout, 8 1/2 in. long, for 120346
121603	8601	Eye and Finger Guard (glass) for 121608
121604	8601	Eye and Finger Guard Carrying Arm for 121613
121605	8601	Eye and Finger Guard Carrying Arm Spring for 121613
121606	8601	Eye and Finger Guard Depressing Screw Holder for 121626
121607	8601	Eye and Finger Guard Frame for 121608
121608	Eye and Finger Guard Frame 121607 with 121603, for 121613
121609	8601	Eye and Finger Guard Guiding Rod for 121613
121611	8601	Eye and Finger Guard Holder for 121613
121612	8601	Eye and Finger Guard Supporting Bracket for 121613
121613	Eye and Finger Guard complete, for 121626, Nos. 1004K, 1698J, 1735J, 50222K, 50435K, 121604, 121605, 121608, 121609, 121611, 121612 and two 50165J
121626	8601	Eye and Finger Guard with Face Plate complete, Nos. 50435K, 68742, 121606, 121613, 140061J and two 191J
124674	23509	Arm Side Cover
124701	24316	Button Spacing Gauge (upper) for 124707
124705	24316	Button Spacing Gauge (lower) for 124707
124706	24316	Button Spacing Gauge Holder for 124707 and 124952

7K7
20C5

NUMERICAL LIST OF PARTS

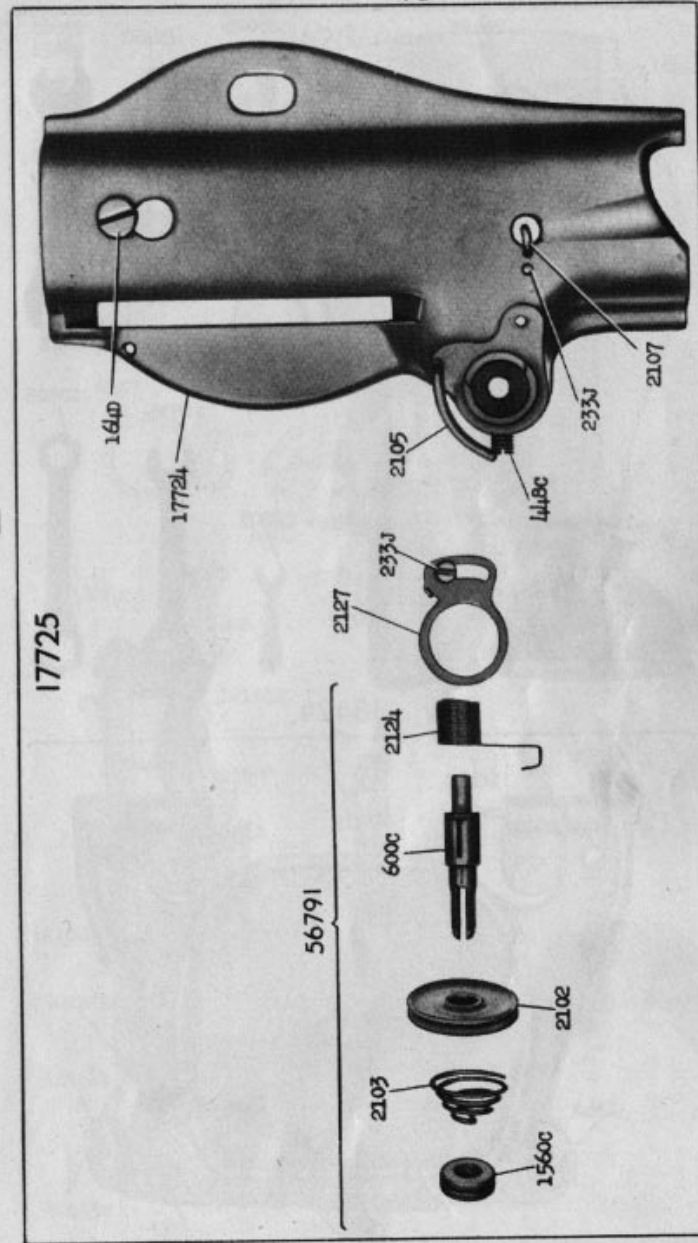
No.	Plate	Name
124707	24316	Button Spacing Gauge complete, without cloth plate, for 69-5, 69-6, 69-15, 69-17 and 69-18 Machines, Nos. 181J, 602J, 124701, 124705, 124706 and two wood screws 1 in. No. 10 R.H.B.
124874	Feed Cam Shaft 62155 with 1653C and 17997, for 69-15 Machine
124925	23515	Feed Cam Driving Worm with 1441AL and 1442C, for 69-26 Machine
124926	23508	Feed Cam Driving Worm Wheel with 453AL, for 124927
124927	Feed Cam Shaft 62155 with 1653C and 124926, for 69-26 Machine
124950	24316	Button Spacing Gauge for 124952
124951	24316	Button Spacing Gauge Plate for 124952
124952	24316	Button Spacing Gauge complete, without cloth plate, for 69-5, 69-6, 69-15, 69-17 and 69-18 Machines, Nos. 181J, 9525, 124706, 124950, 124951 and two each 217J, 7071 and wood screws 1 in. No. 10 R.H.
125044	23509	Crank Connecting Rod Oil Pad (wick) for 4292
126391	23502	Bobbin Winder Bracket
		NOTE: No. 126391 is used with, but not included in 41714 or 41716
140061J	8601	Eye and Finger Guard Depressing Screw Holder Screw for 121626
140219C	23506	Starting Lever Rock Shaft Stop Dog Set Screw for 2770
140366J	24311	Belt Shifter Clamp Screw for 55489
140414C	23509	Thread Take-up Lever Hinge Screw for 68775
150203	23289	Thread Unwinder Spool Rest Cushion (felt) for 225258
200383C	23289	Thread Unwinder Spool Rest Rod Set Screw for 259658
200584D	23509	Pulley (loose) Oil Plug Screw for 68784
201018C	23289	Thread Unwinder Spool Rest Set Screw for 225257
201528X	23289	Thread Unwinder Spool Pin Nut for 225257
201696J	23289	Thread Unwinder Thread Guide Lock Nut for 225258
225257	23289	Thread Unwinder Spool Rest with 201018C and two each 201528X, 228692 and 228693, for 225258
225258	23289	Thread Unwinder complete, Nos. 201696J, 225257, 225324, 225326, 225388, 259658, two each 150203, 225391 and three wood screws 7/8 in. No. 12 F.H.
225322	23289	Thread Unwinder Thread Guide Rod Washer for 225324
225324	23289	Thread Unwinder Thread Guide Rod with 208AL and 225322, for 225258
225326	23289	Thread Unwinder Thread Guide Position Cup for 225258
225388	23289	Thread Unwinder Spool Rest Rod for 225258
225390	23289	Thread Unwinder Thread Cone Holder, for inverted cones
		NOTE: No. 225390 is used with, but not included in 225258
225391	23289	Thread Unwinder Thread Guide for 225258
228692	23289	Thread Unwinder Spool Pin for 225257
228693	23289	Thread Unwinder Spool Pin Washer for 225257
259658	23289	Thread Unwinder Spool Stand with 200383C, for 225258

124706

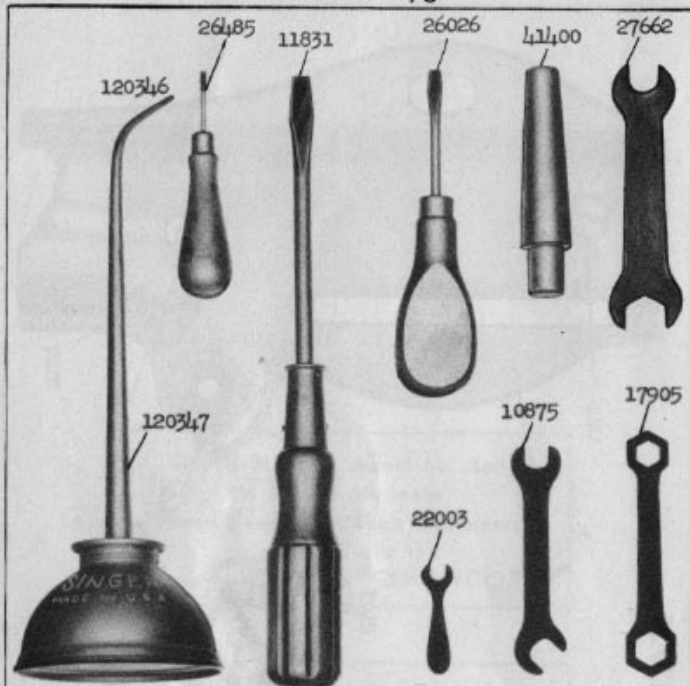
SINGER Needles should be used
in SINGER Machines
These Needles and their Containers
are marked with the
Company's Trade Mark "SIMANCO.**" 1

Needles in Containers marked
"FOR SINGER MACHINES"
are NOT SINGER made needles. 2

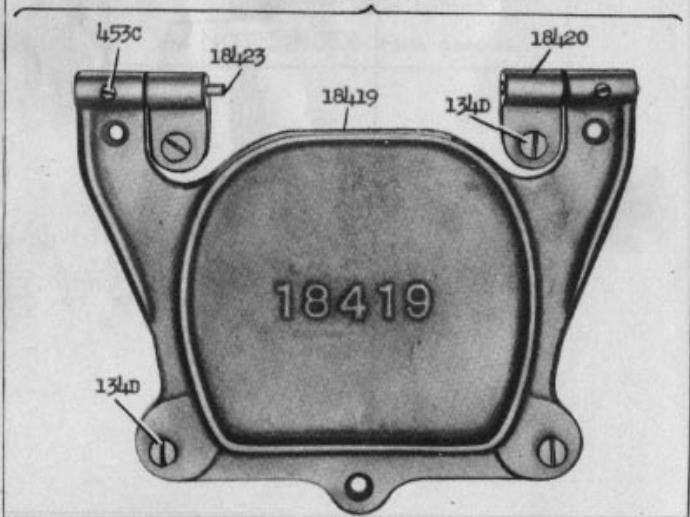
8593 - 2/3



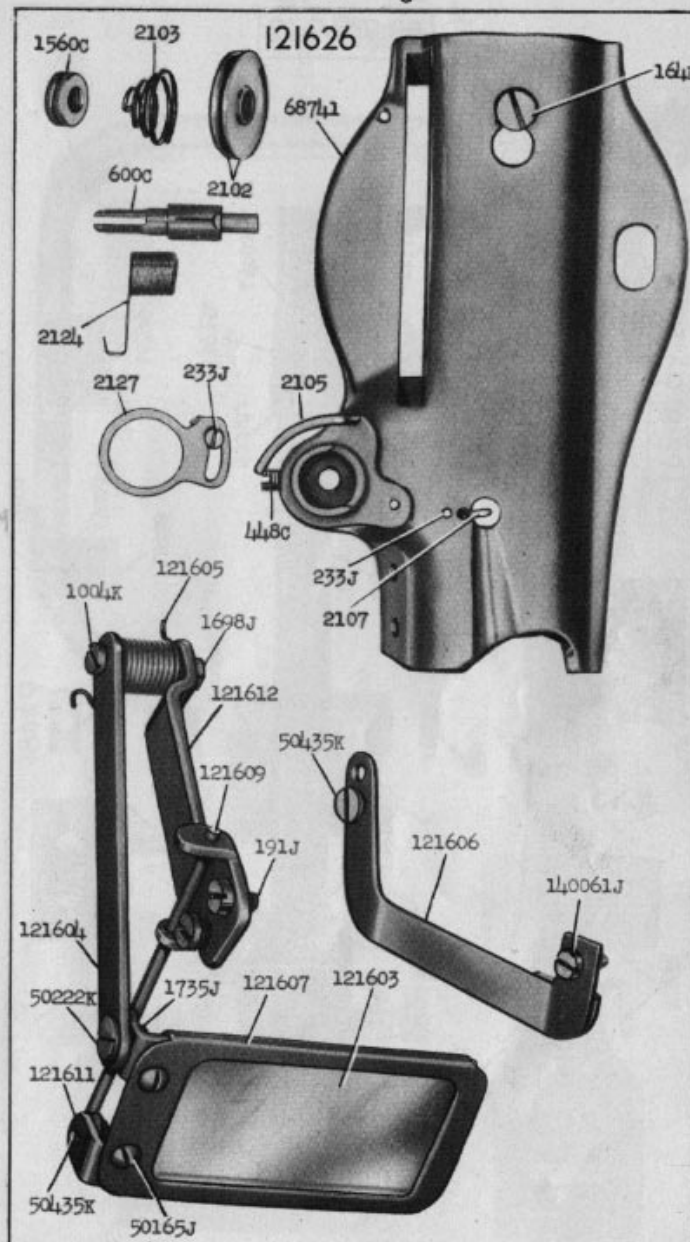
8599 - 1/3

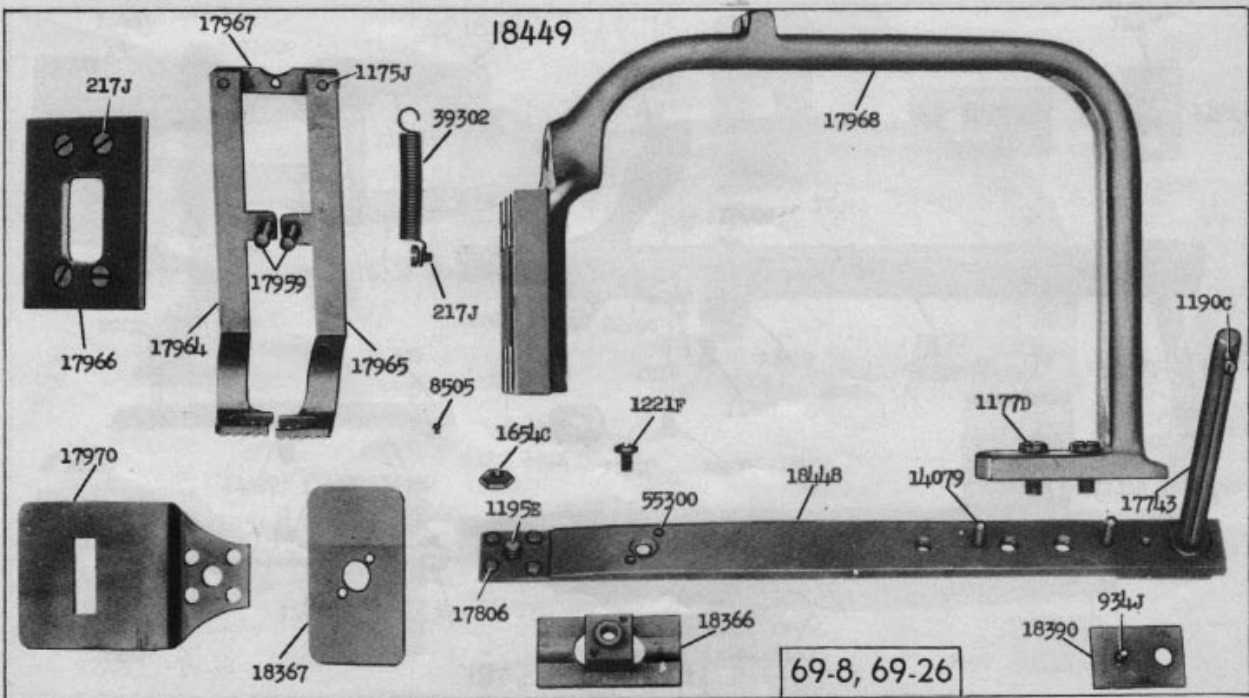
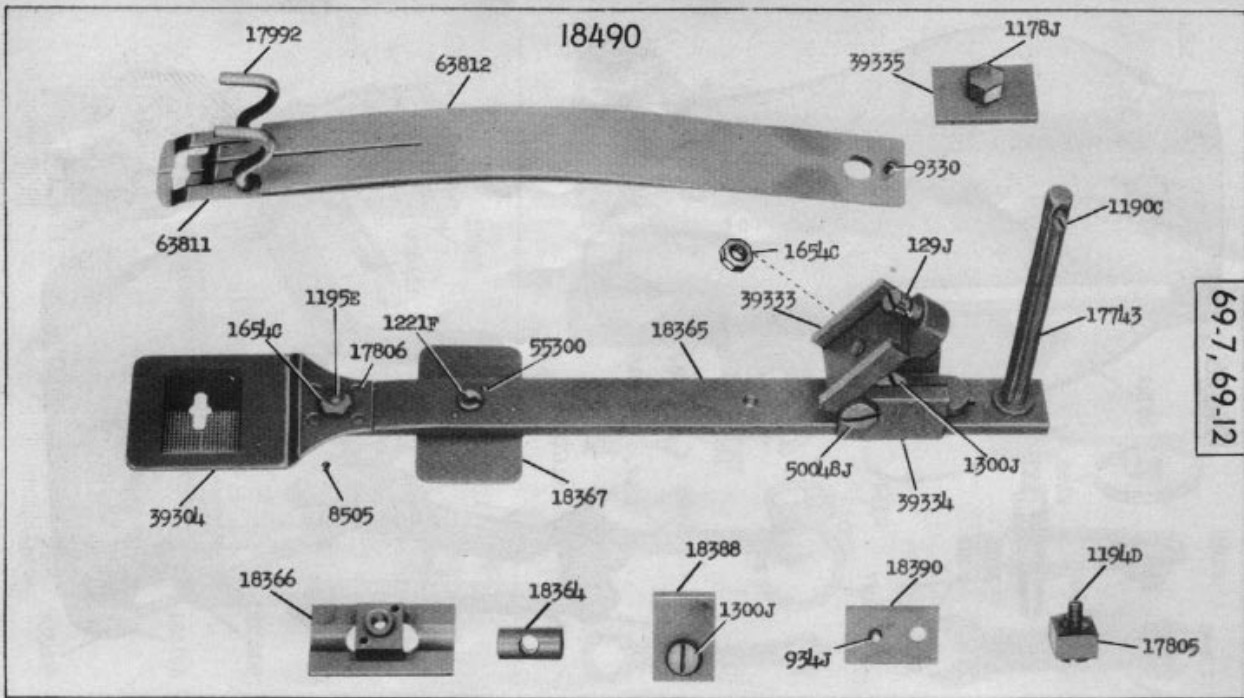


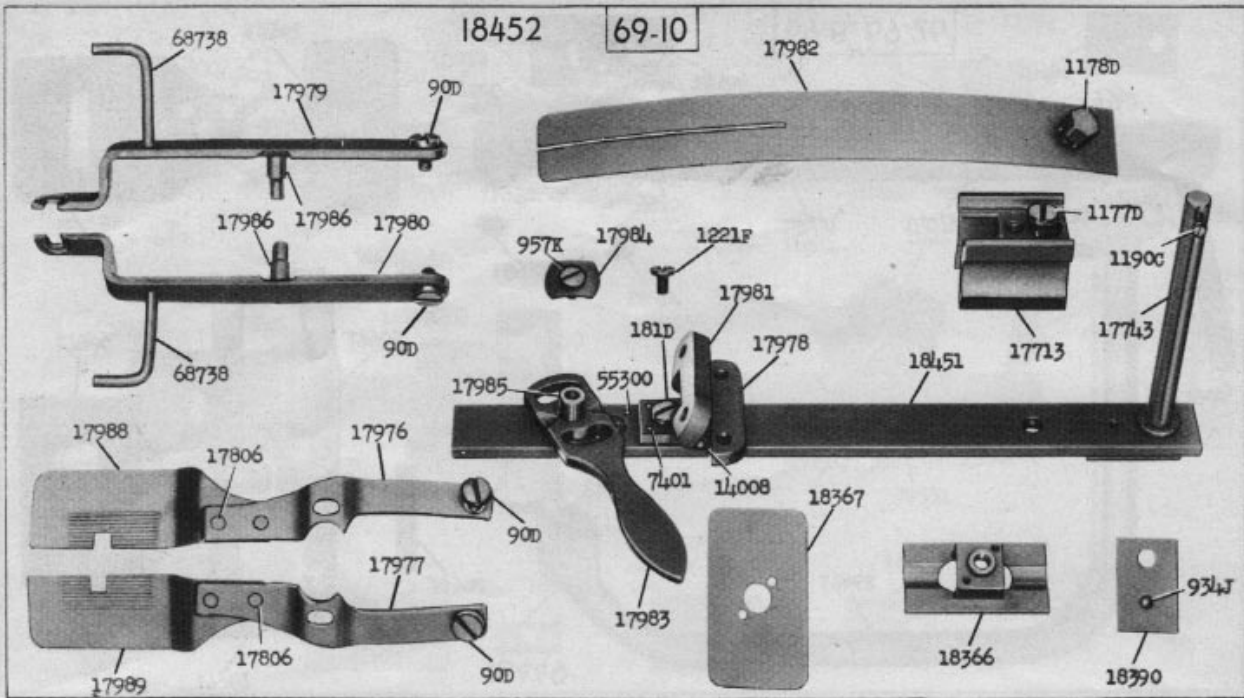
18424



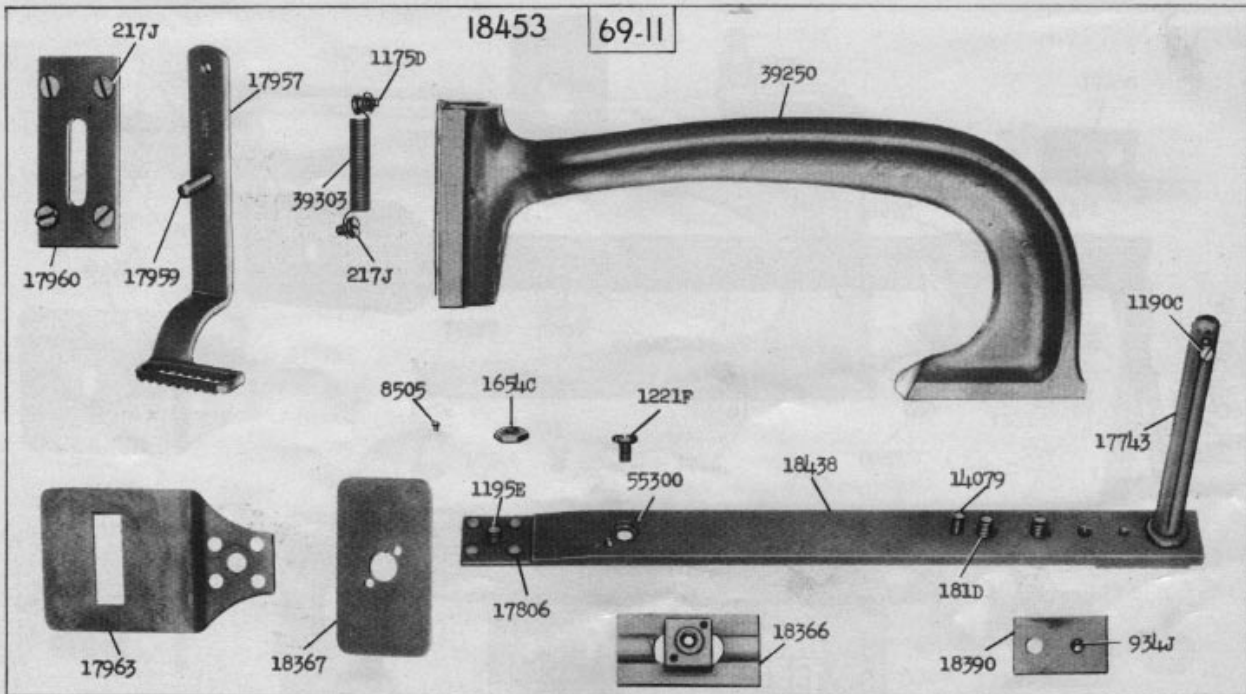
8601 - 2/3



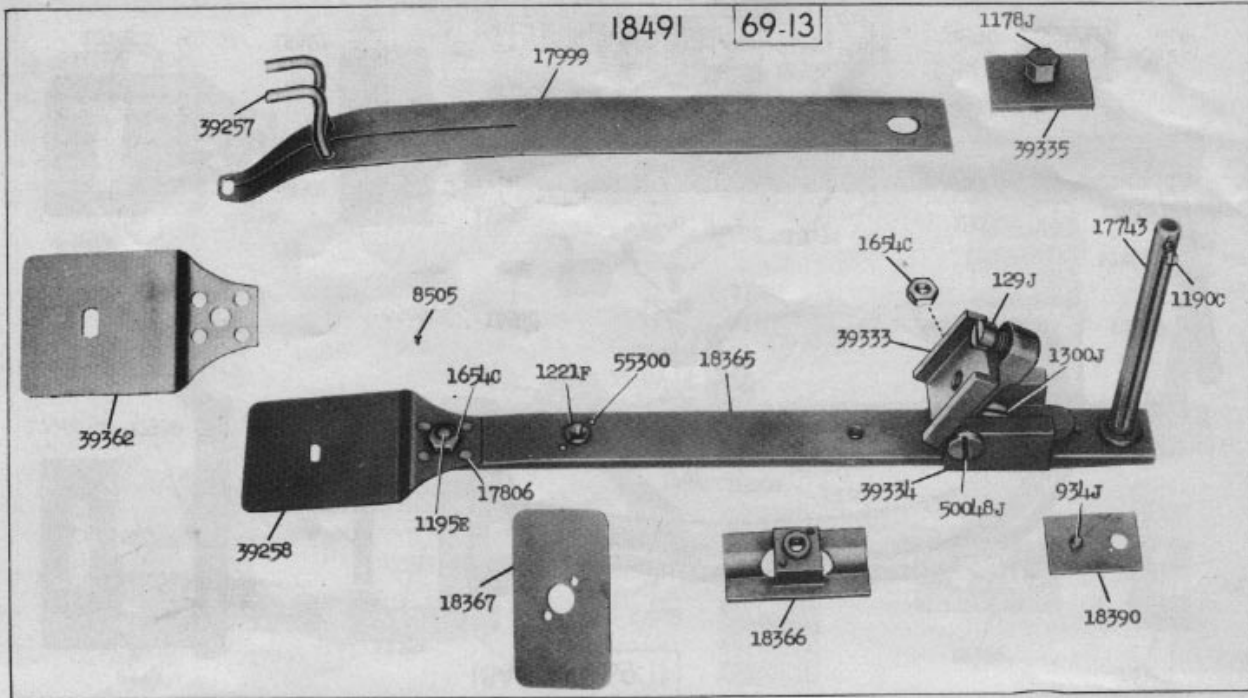




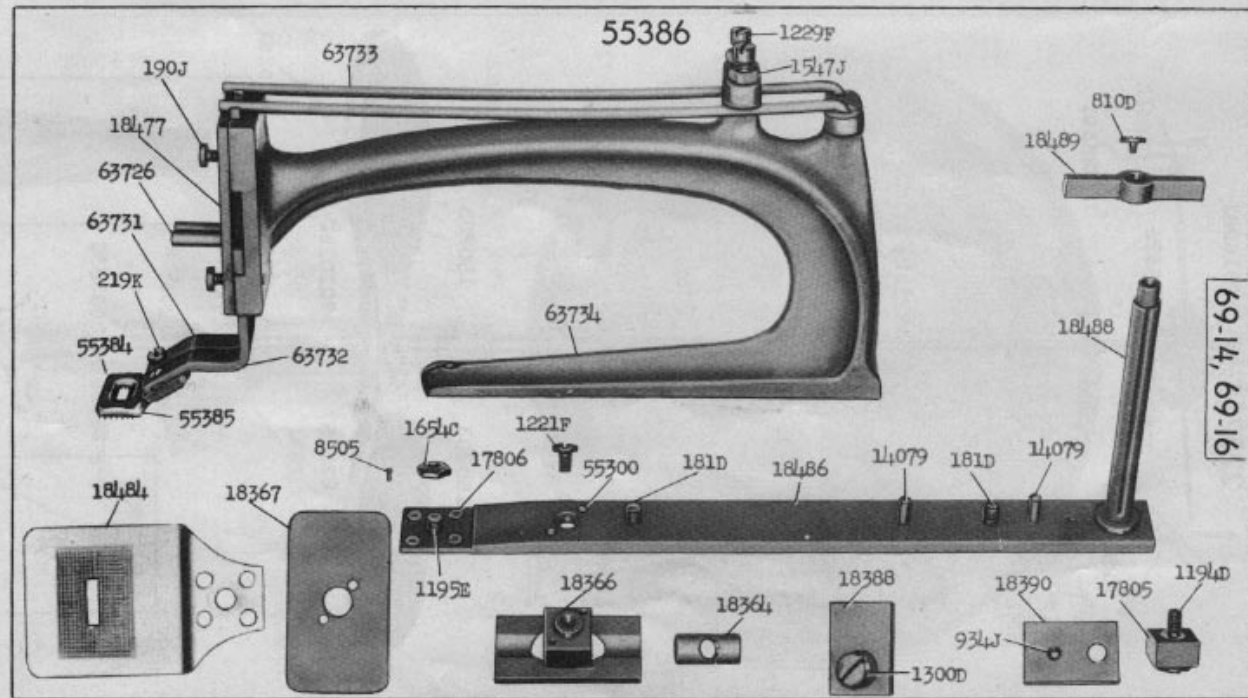
8618 - 1/2



8619 - 1/2



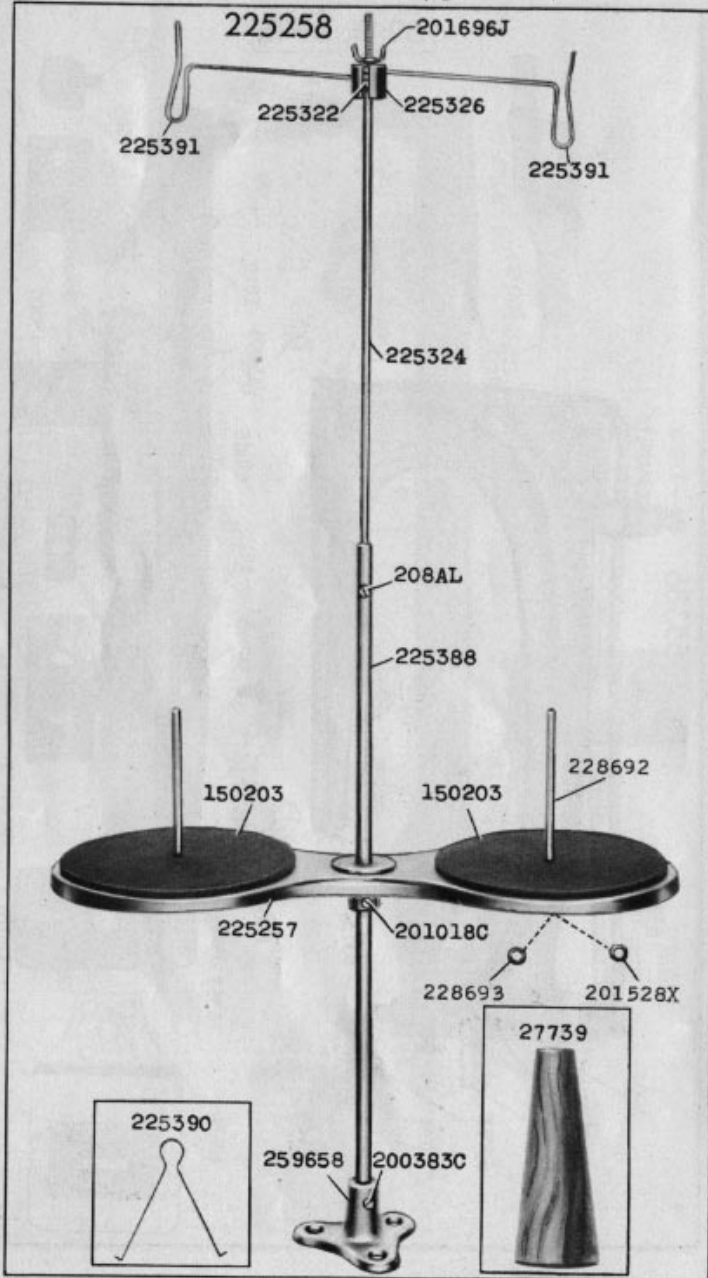
8620 - 1/2



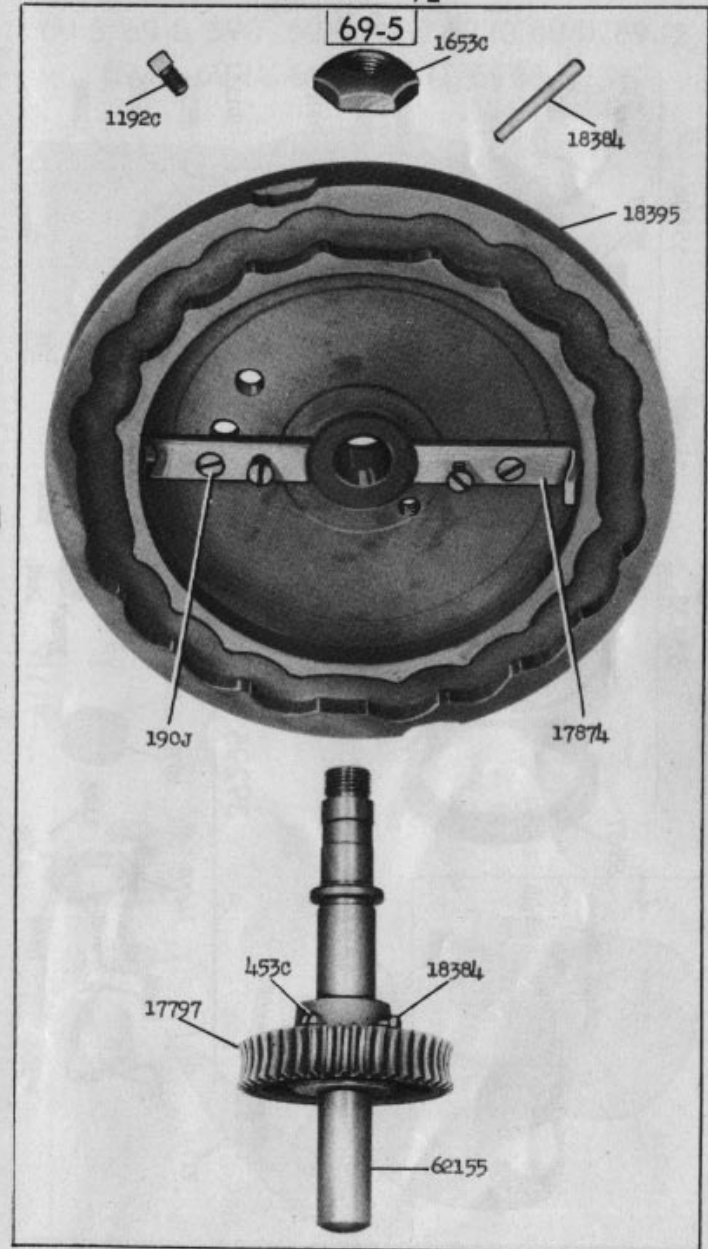
69-14, 69-16

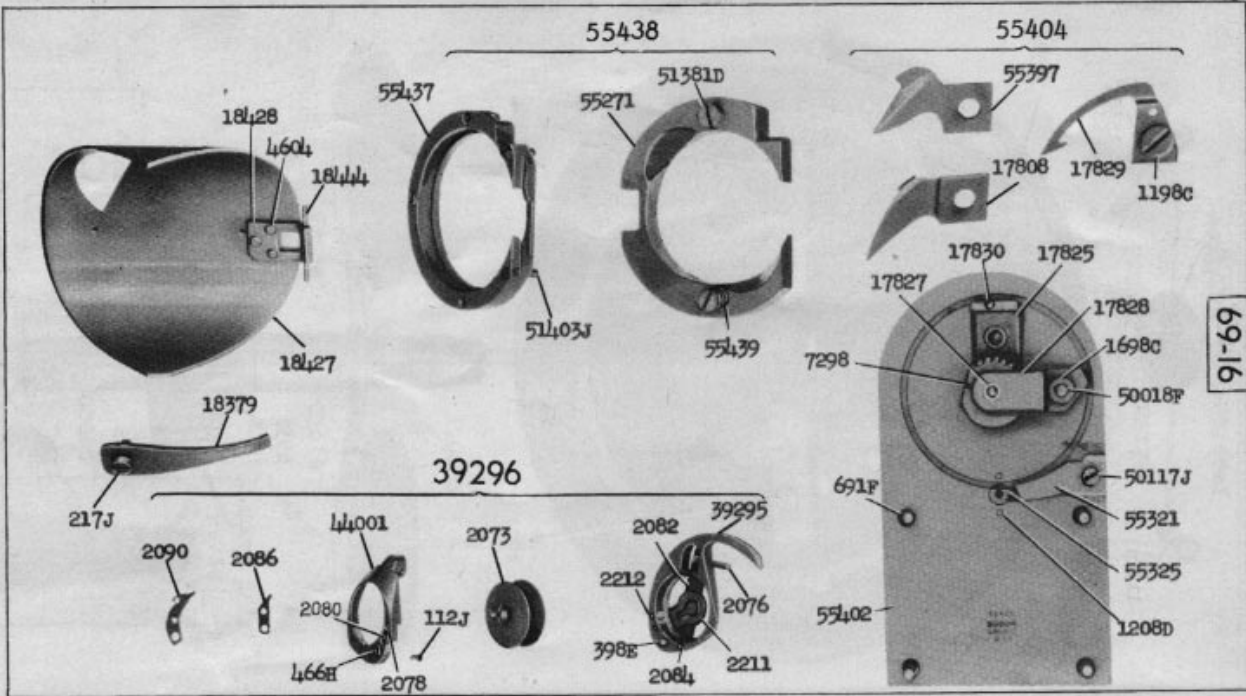
8621 - 1/2

23289 - 1/4

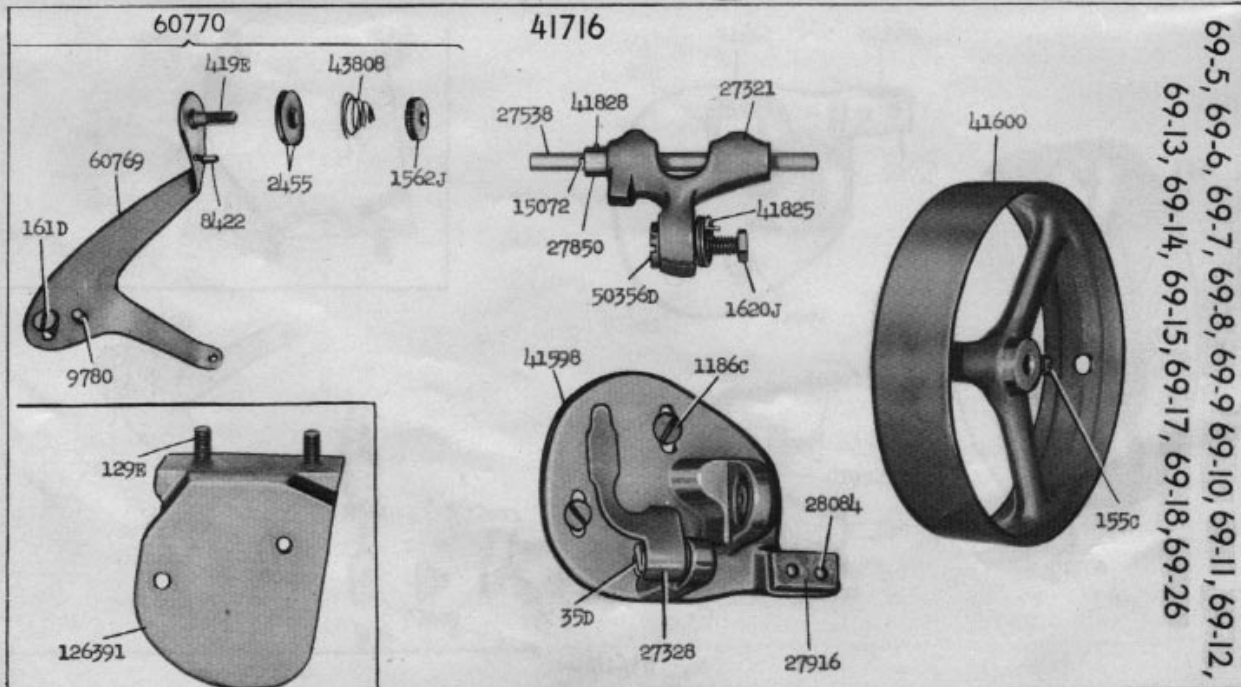


23486 - 1/2



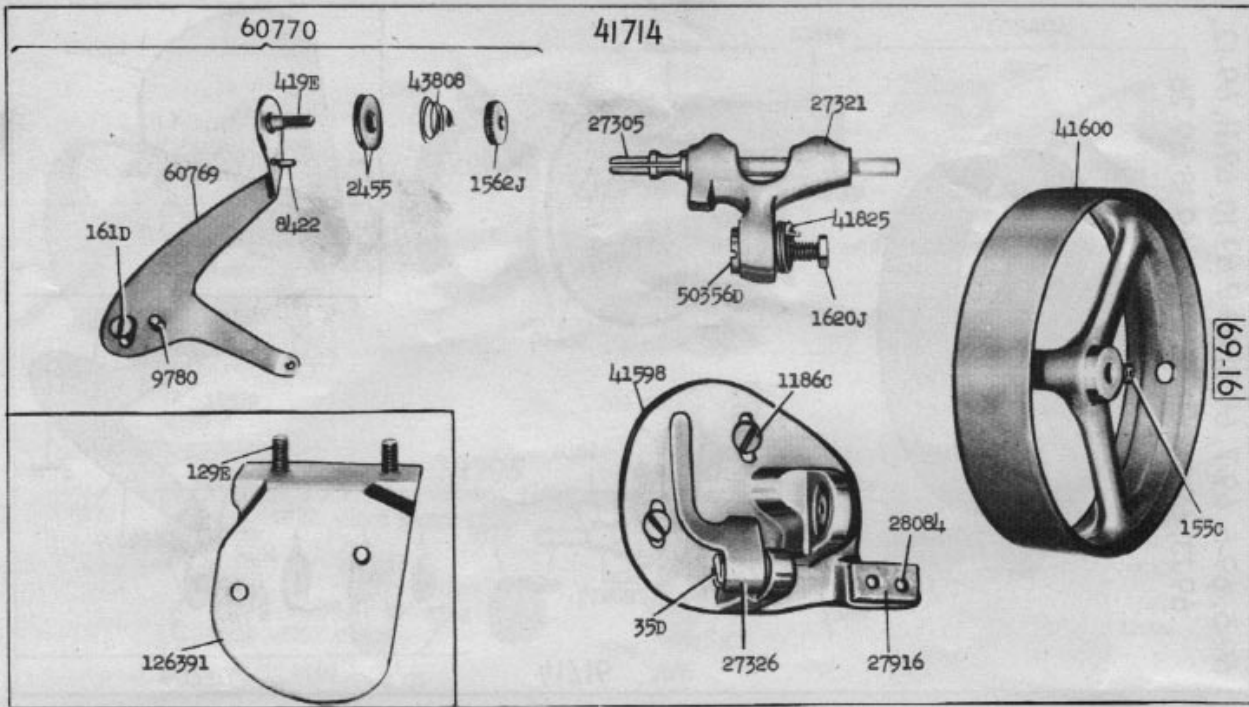


23498 - 1/2
69-16



69-5, 69-6, 69-7, 69-8, 69-9, 69-10, 69-11, 69-12,
69-13, 69-14, 69-15, 69-17, 69-18, 69-26

23502 - 1/2

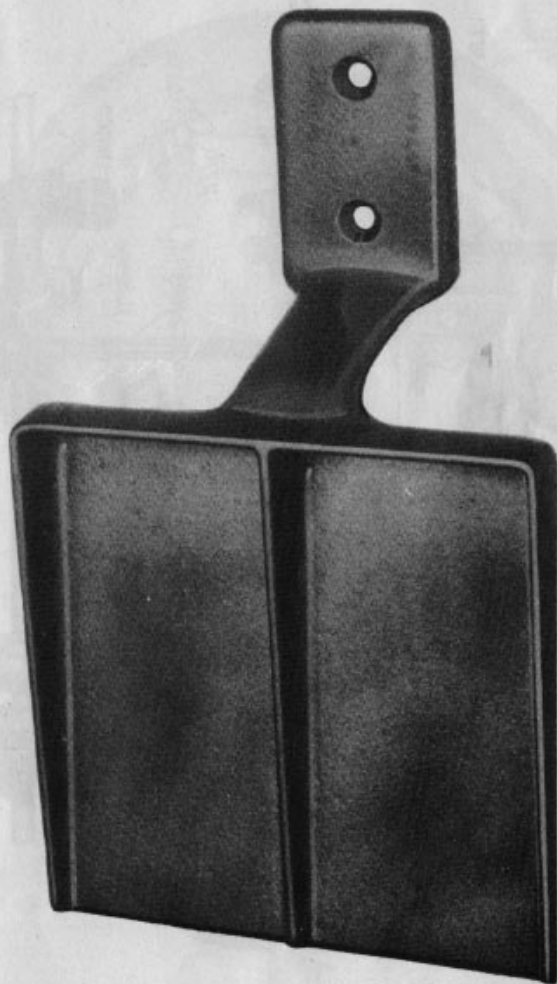


23503 - 1/2

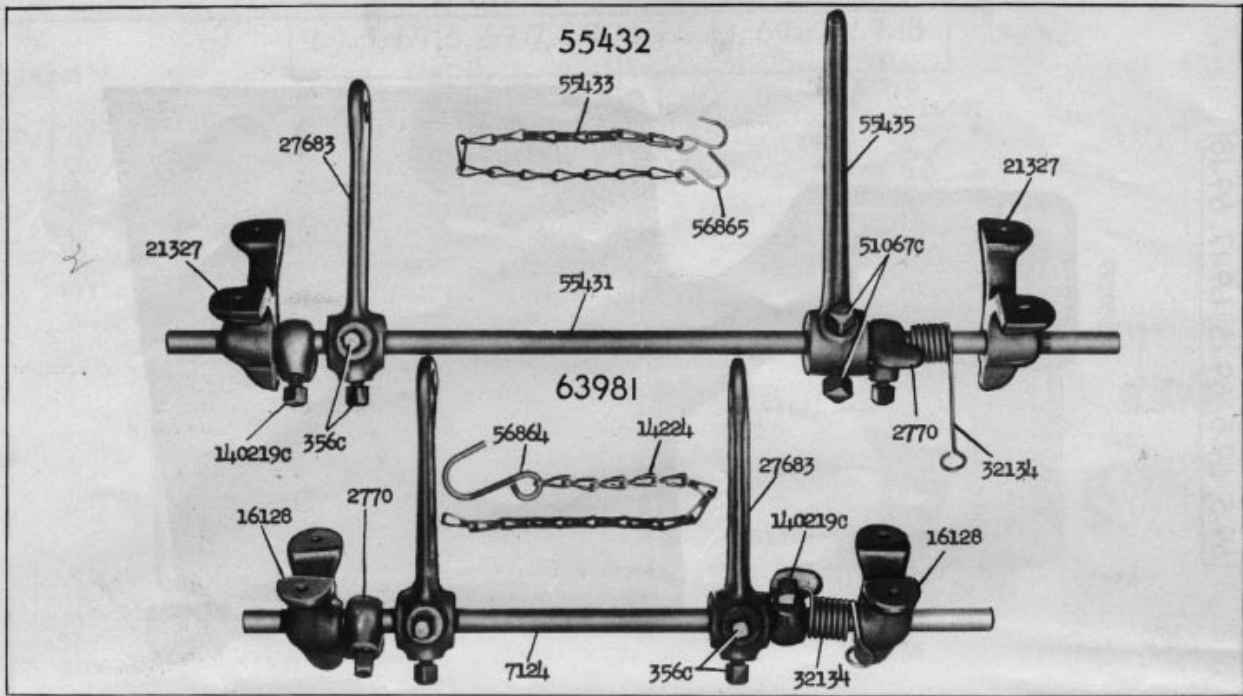
23505 - 1/2

69-5, 69-6, 69-15, 69-17, 69-18

59797



7 0 3 7 0 7



23506 - 1/3

23507 - 1/2

69-8 16530



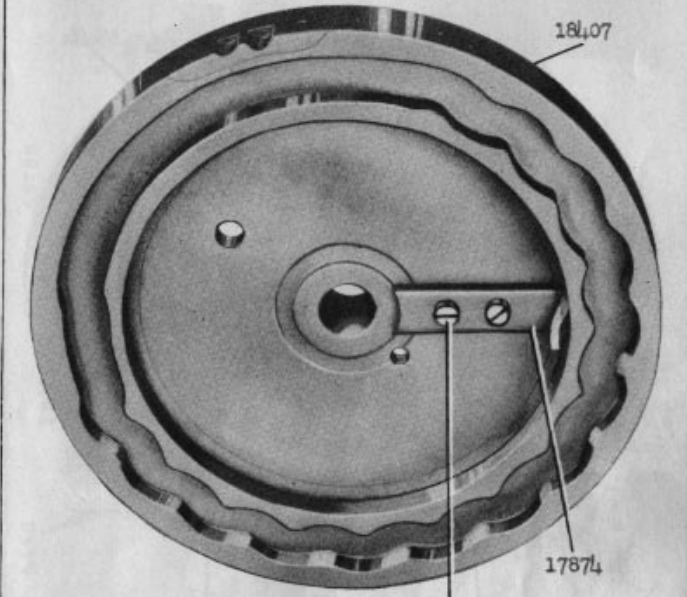
11920



16530



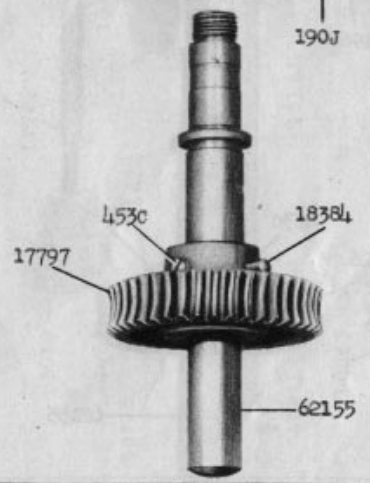
18384



18407

17874

190J



17797

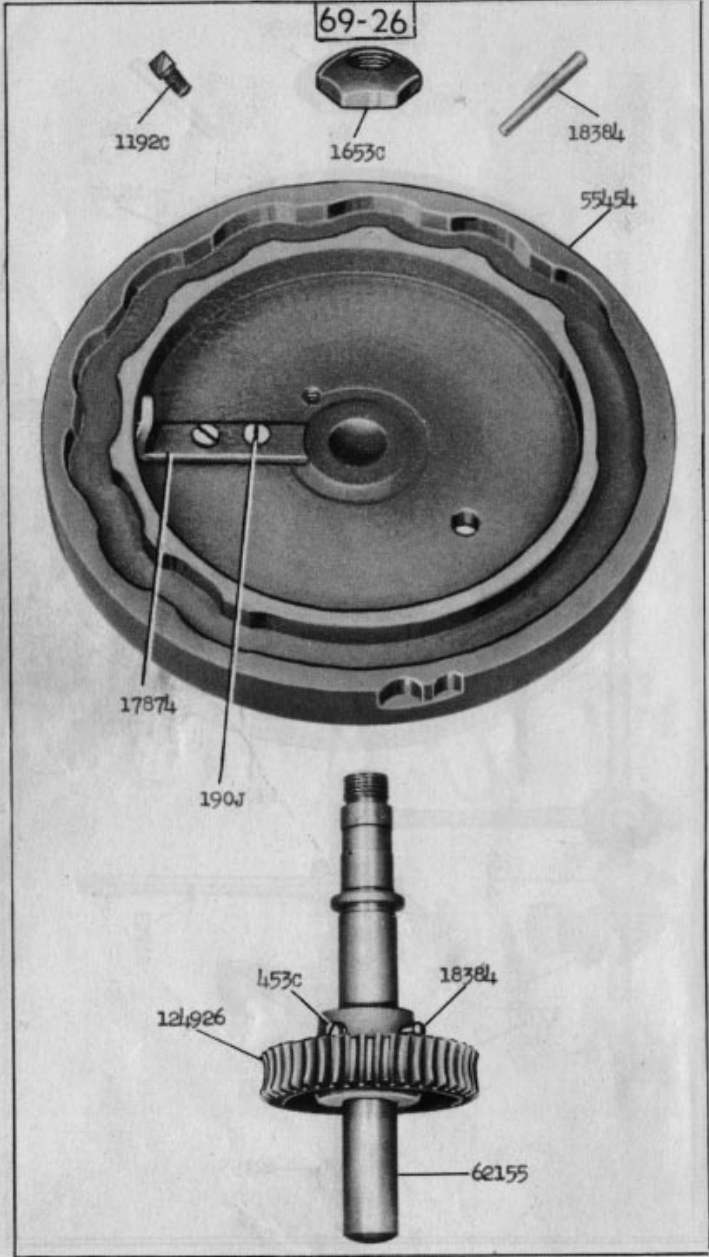
4530

18384

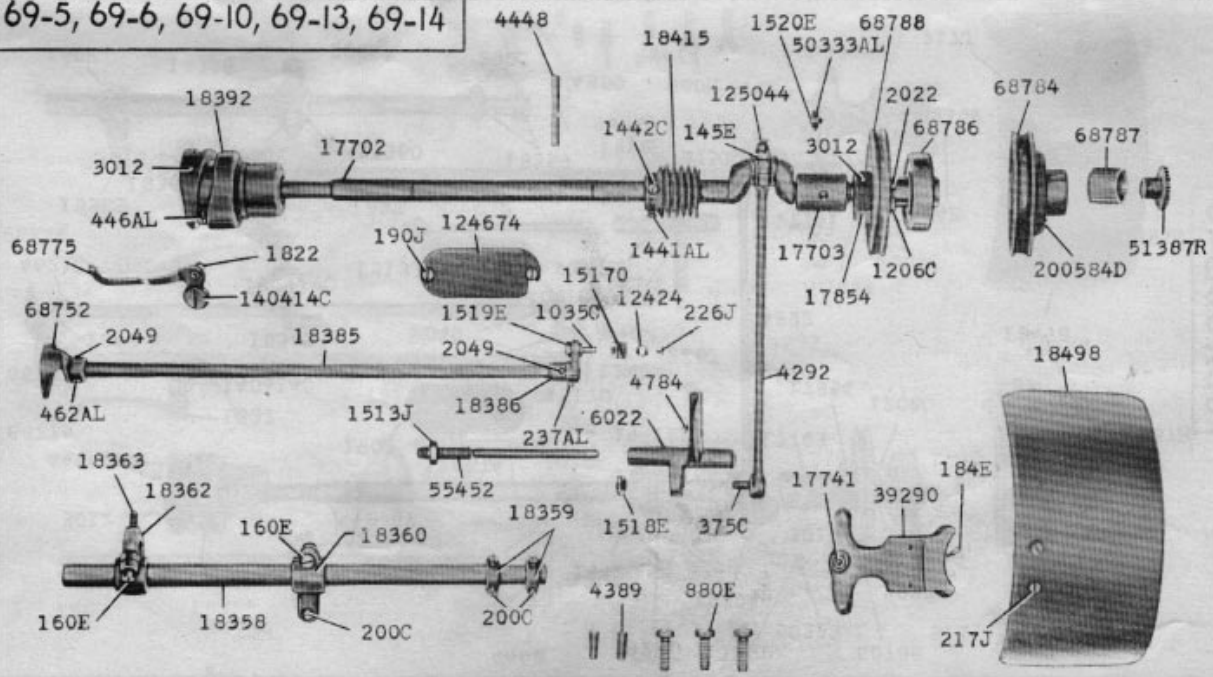
62155

23508- 1/2

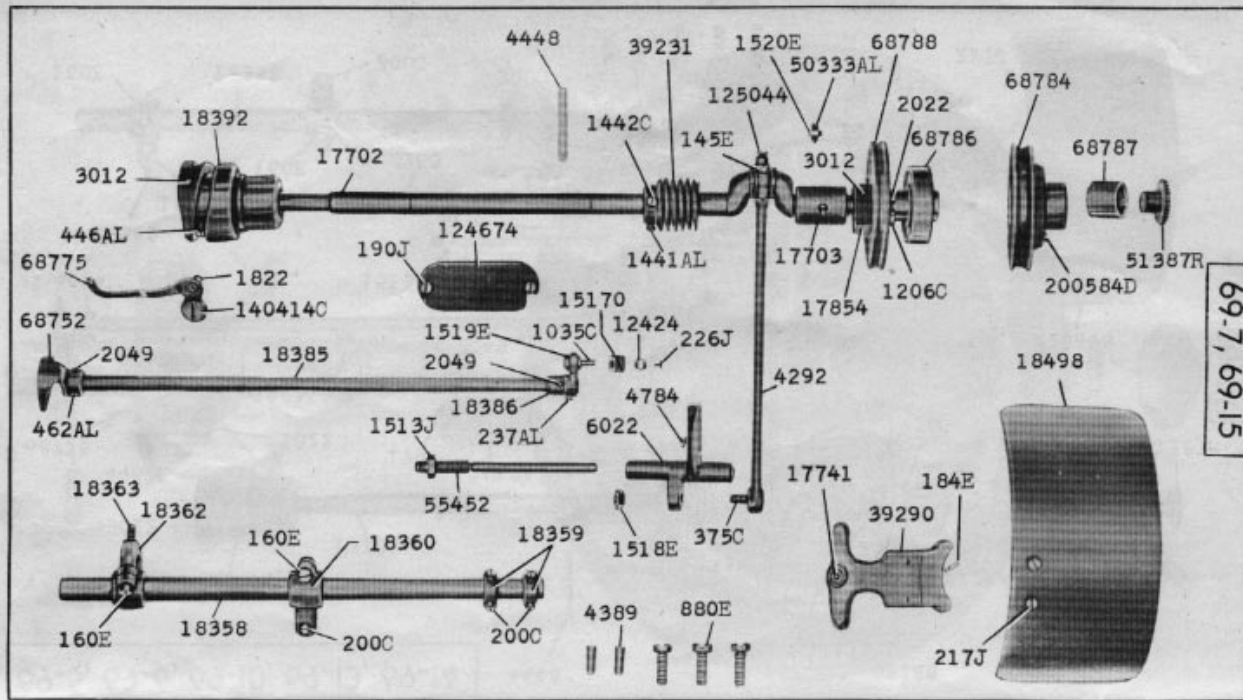
69-26



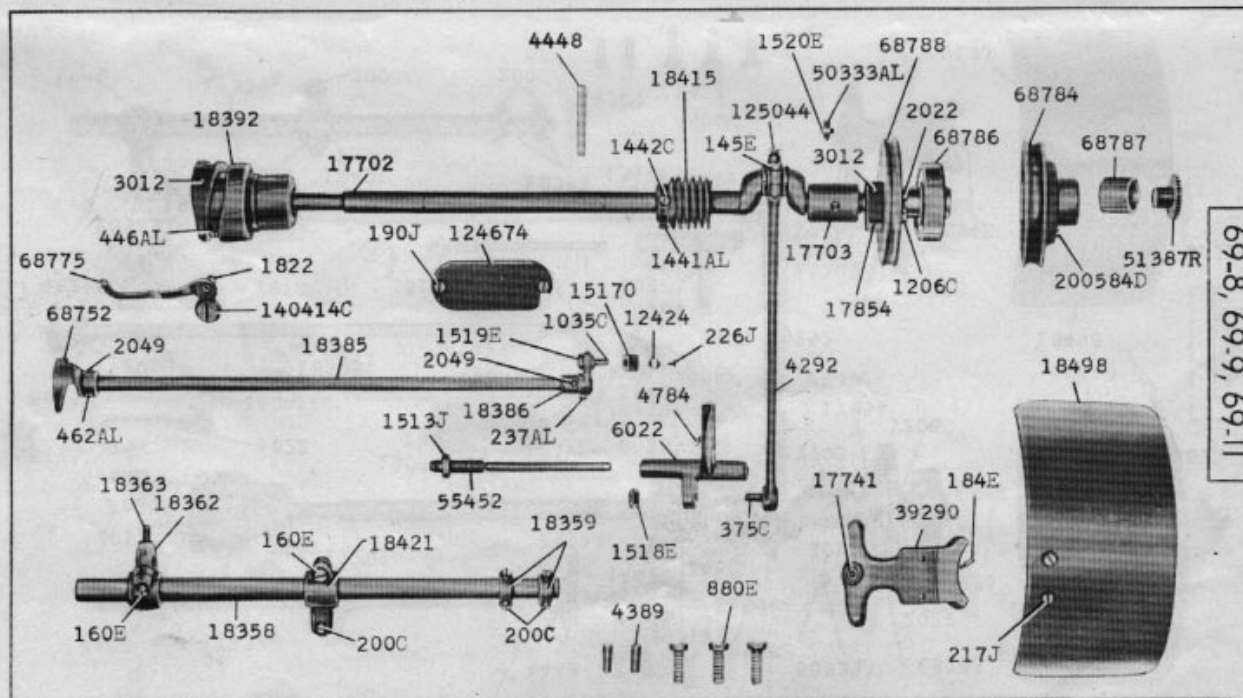
69-5, 69-6, 69-10, 69-13, 69-14



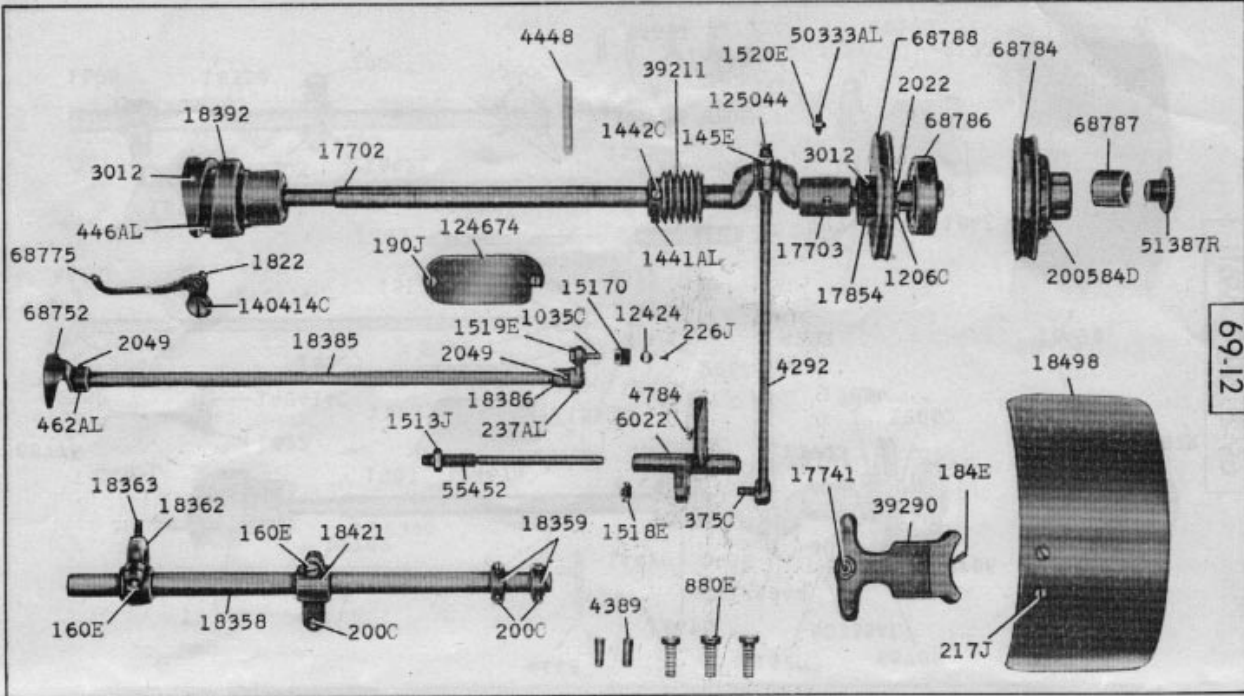
23509-1/4



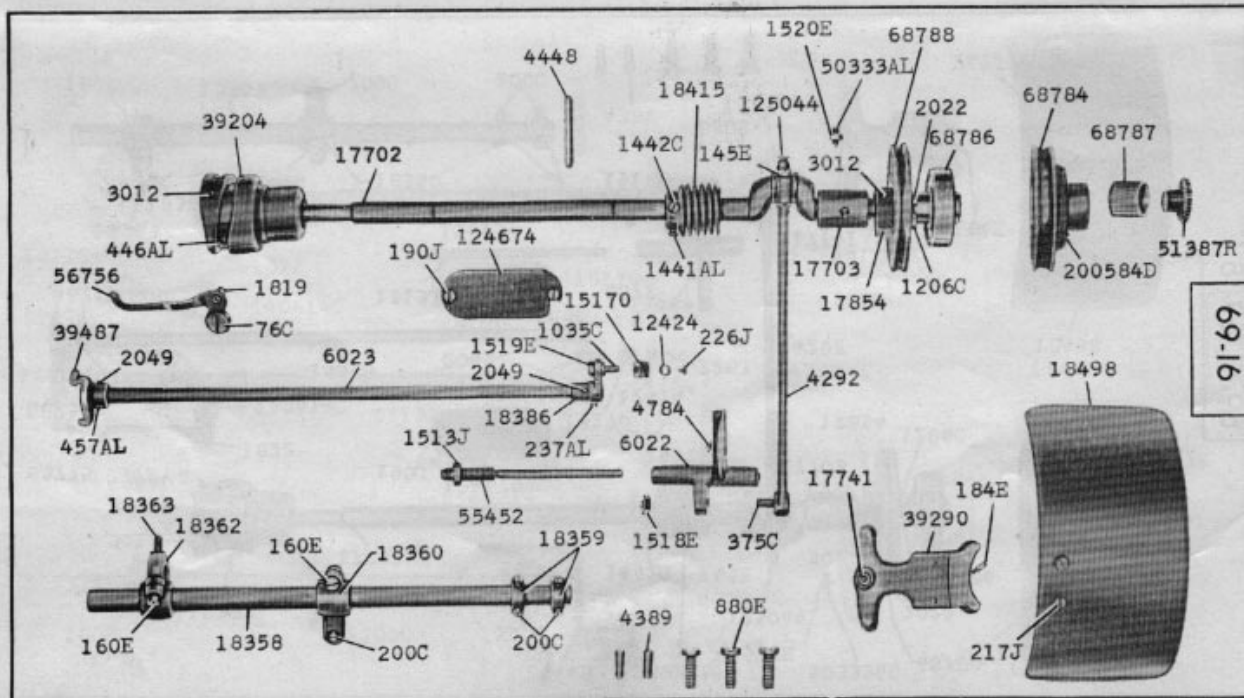
23510-1/4
69-7, 69-15



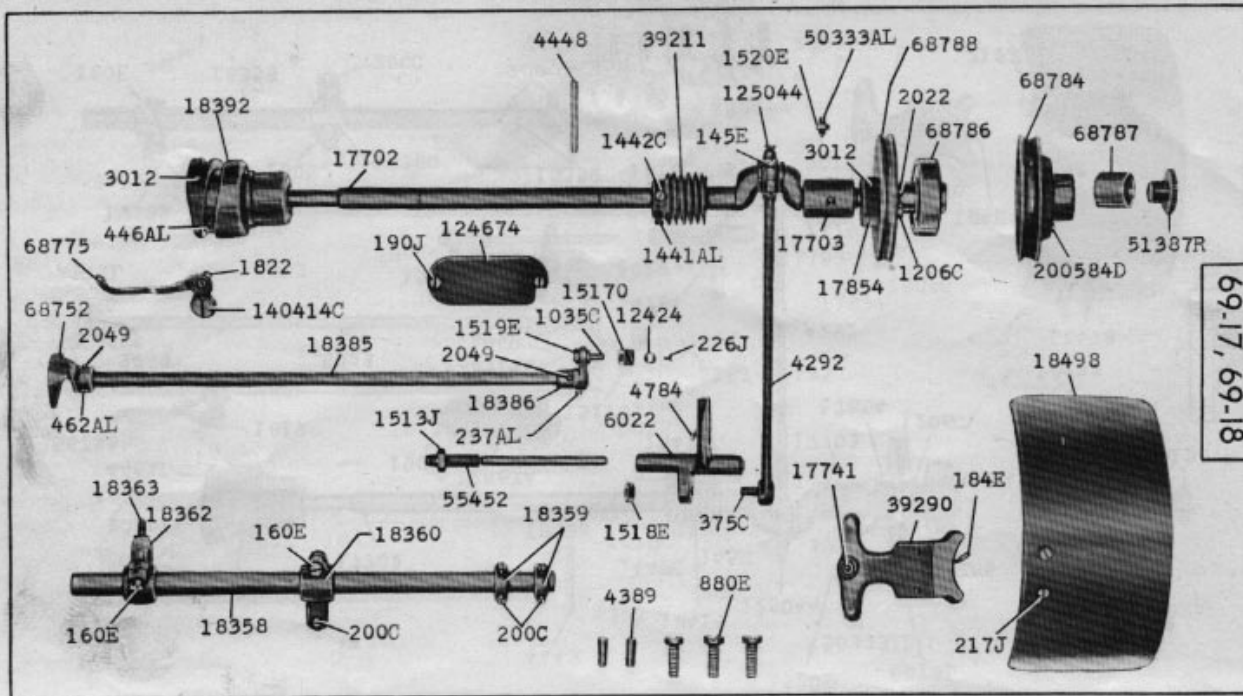
23511-1/4
69-8, 69-9, 69-11



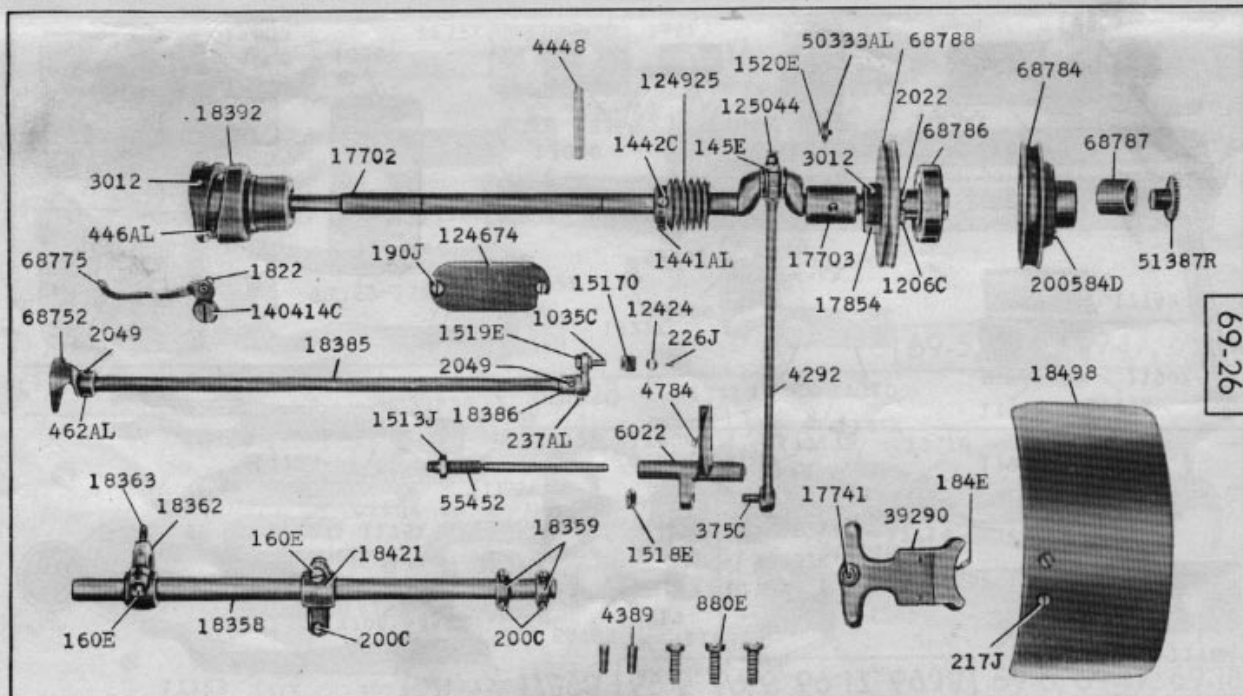
23512-1/4
69-12



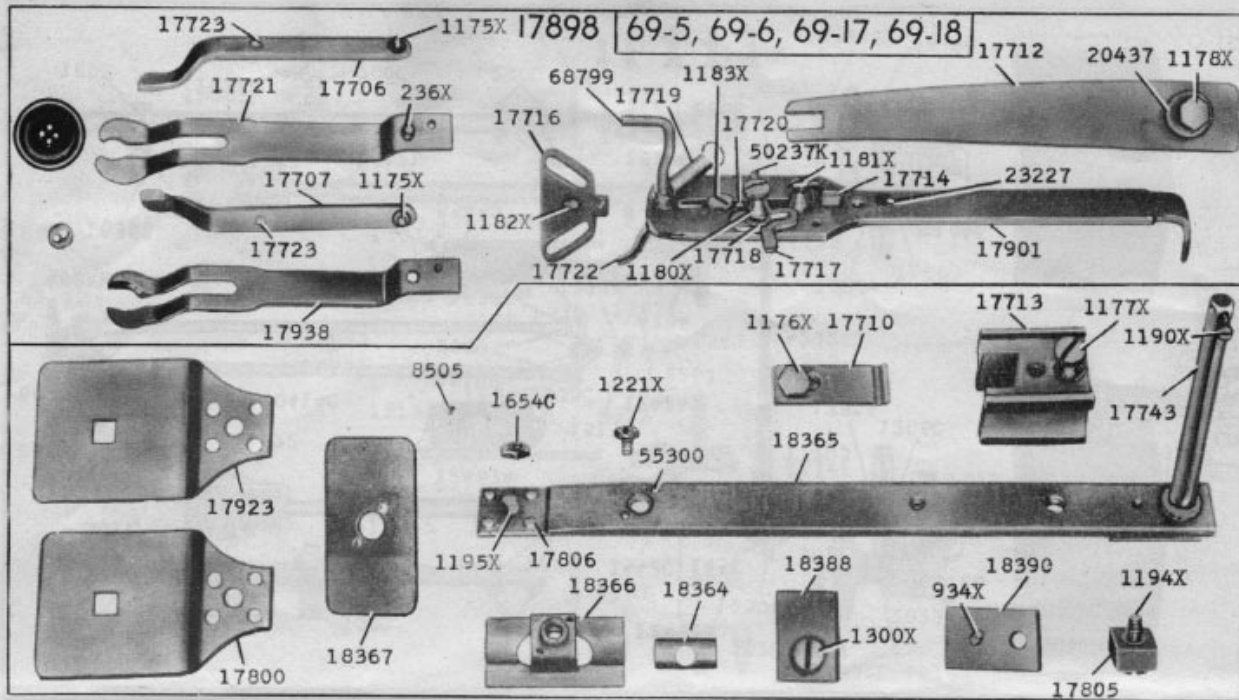
23513-1/4
69-16



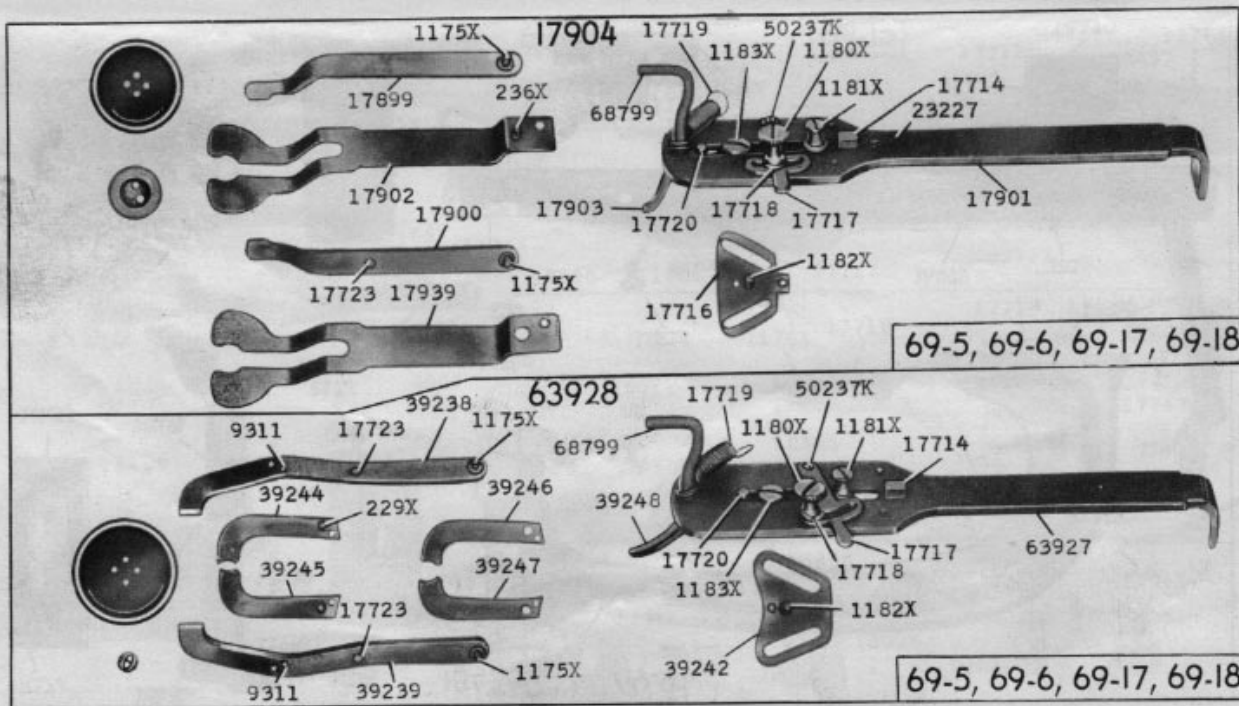
23514-1/4
69-17, 69-18



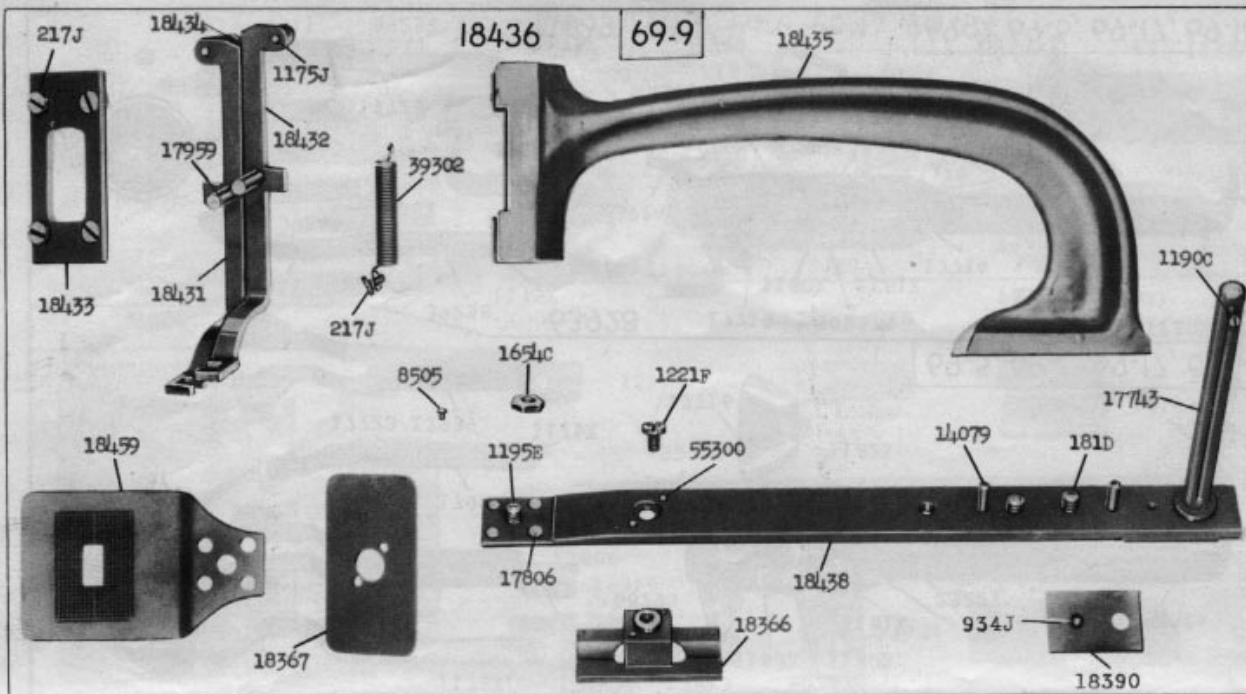
23515-1/4
69-26



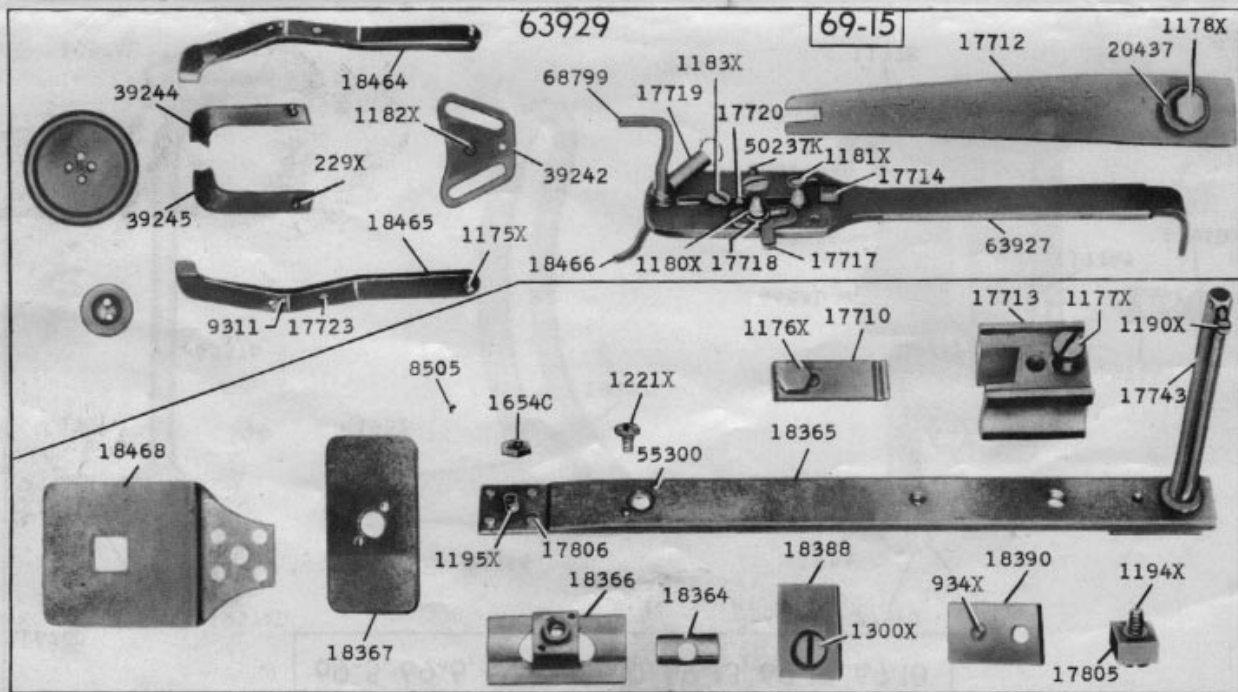
23516-1/2



23517-1/2

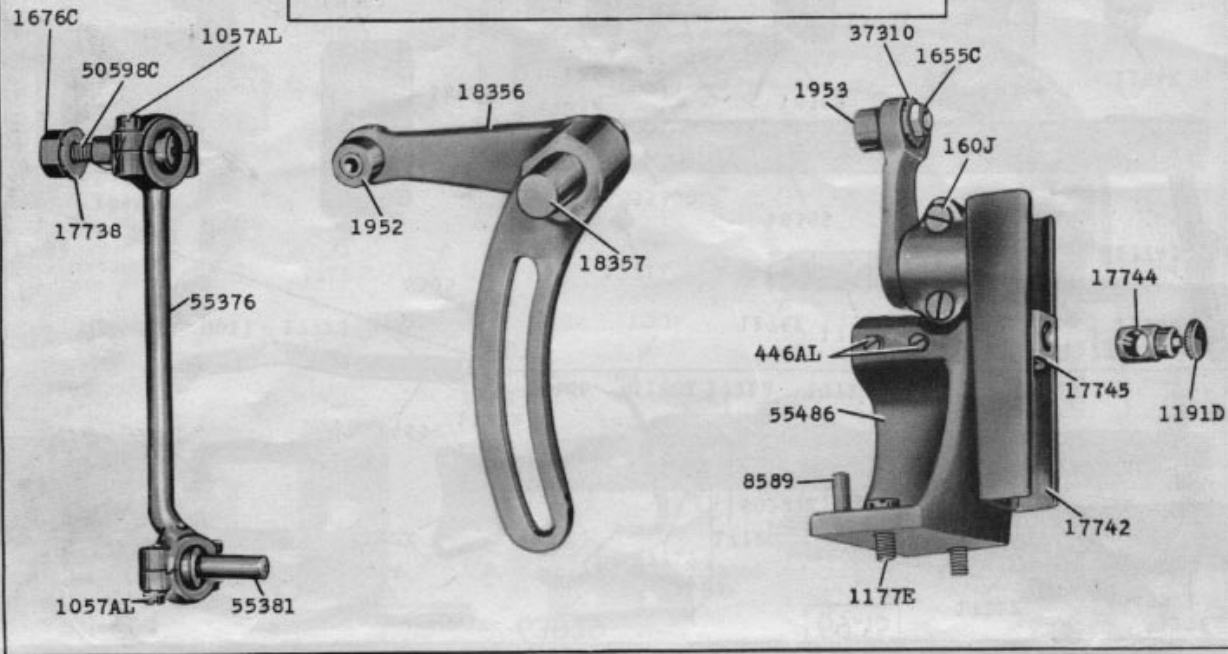


23518-1/2



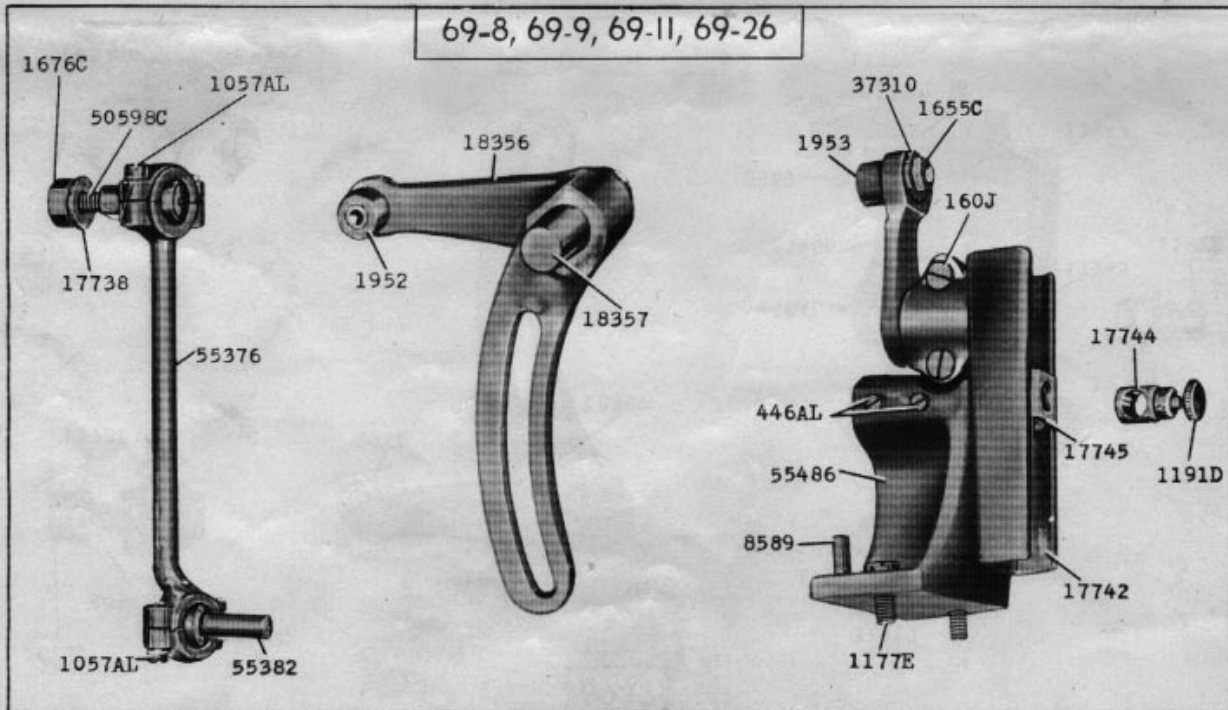
23519-1/2

69-5, 69-6, 69-7, 69-10, 69-13, 69-17, 69-18



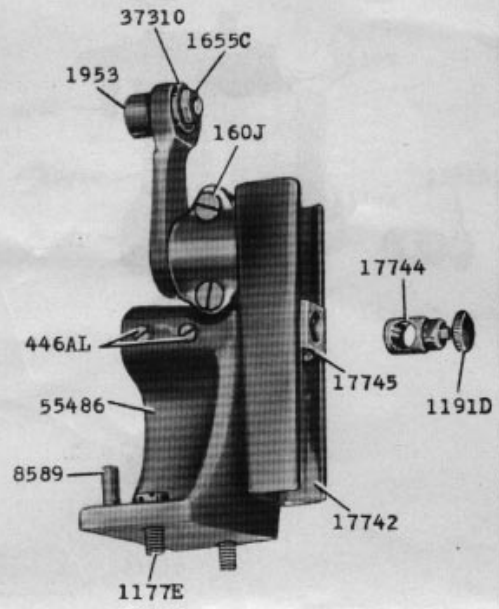
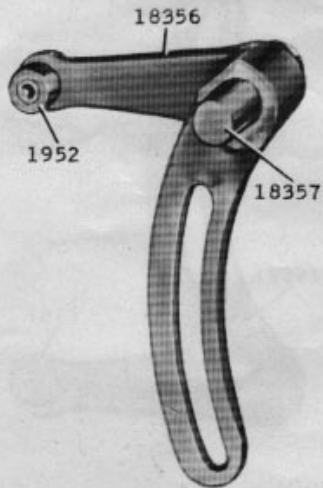
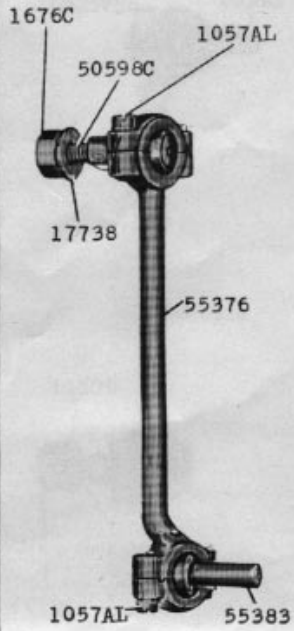
23520-1/2

69-8, 69-9, 69-11, 69-26



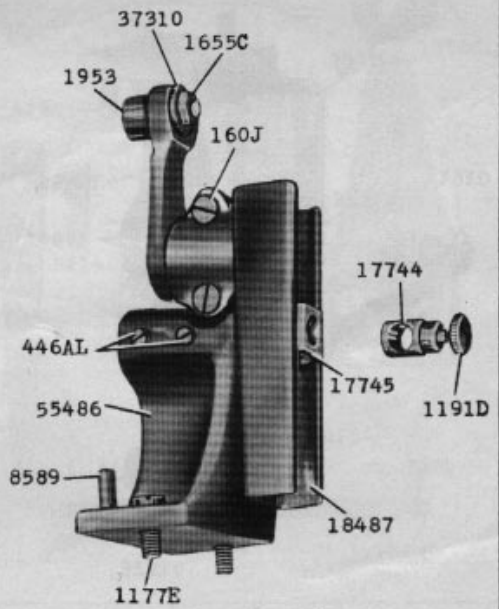
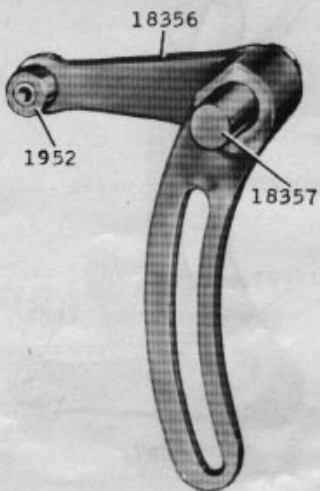
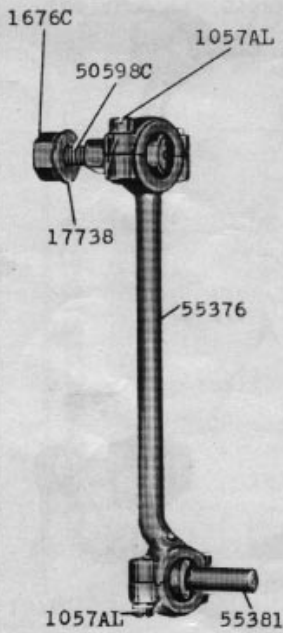
23521-1/2

69-12



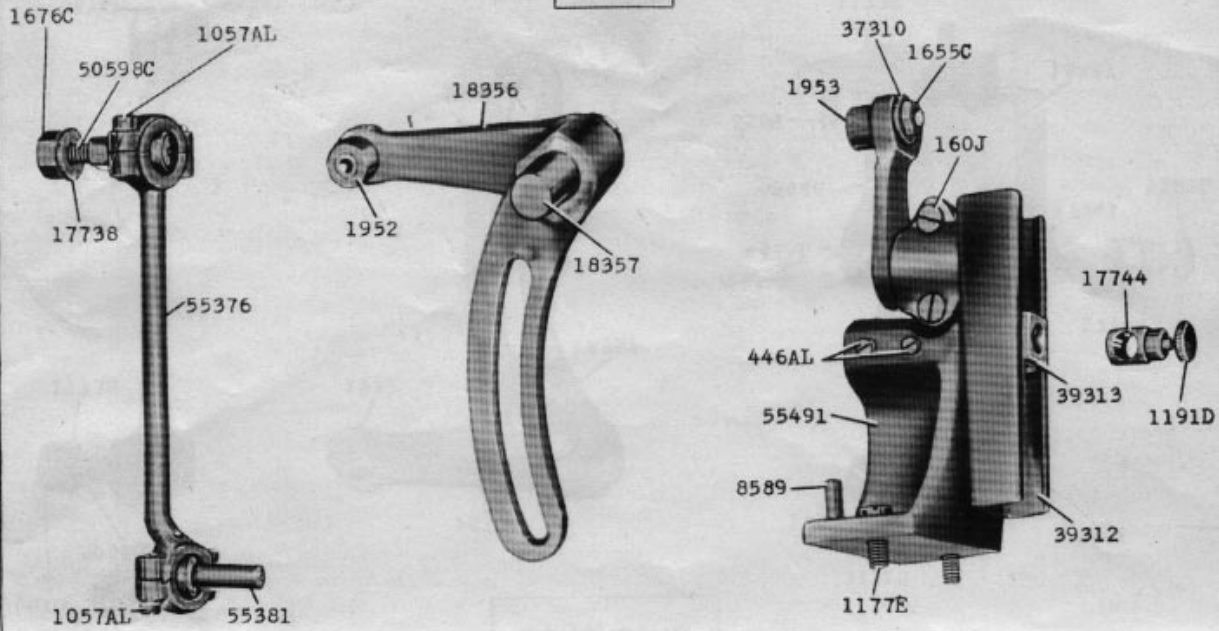
23522-1/2

69-14, 69-16

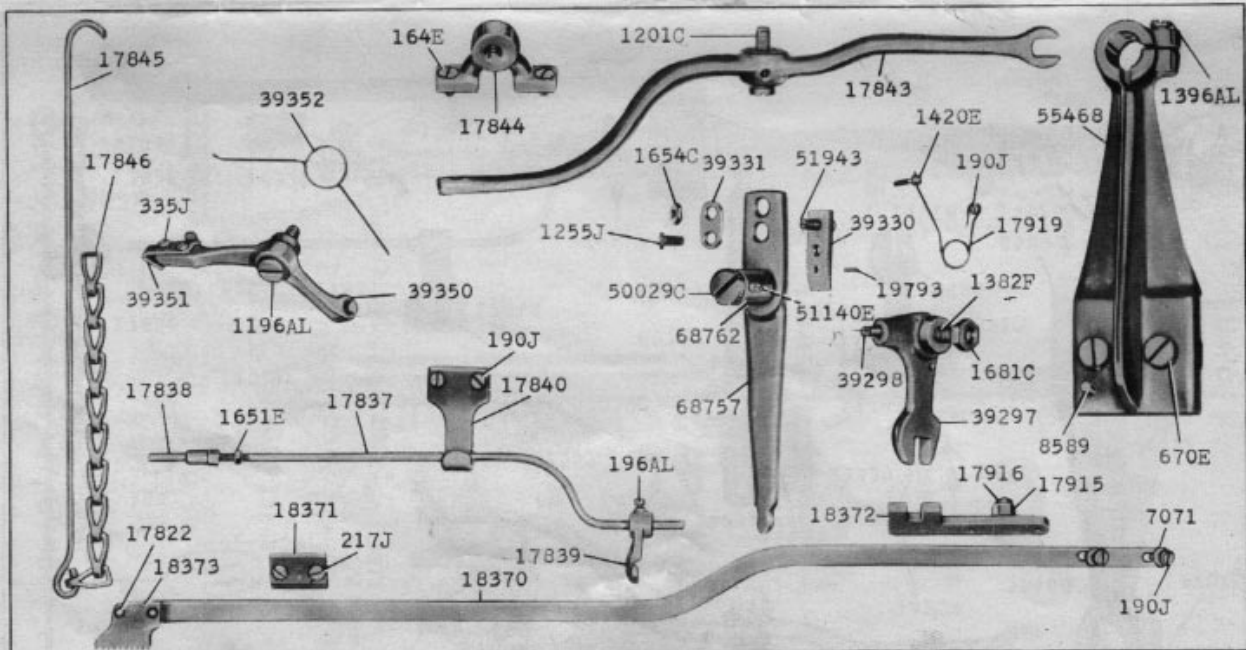


23523-1/2

69-15

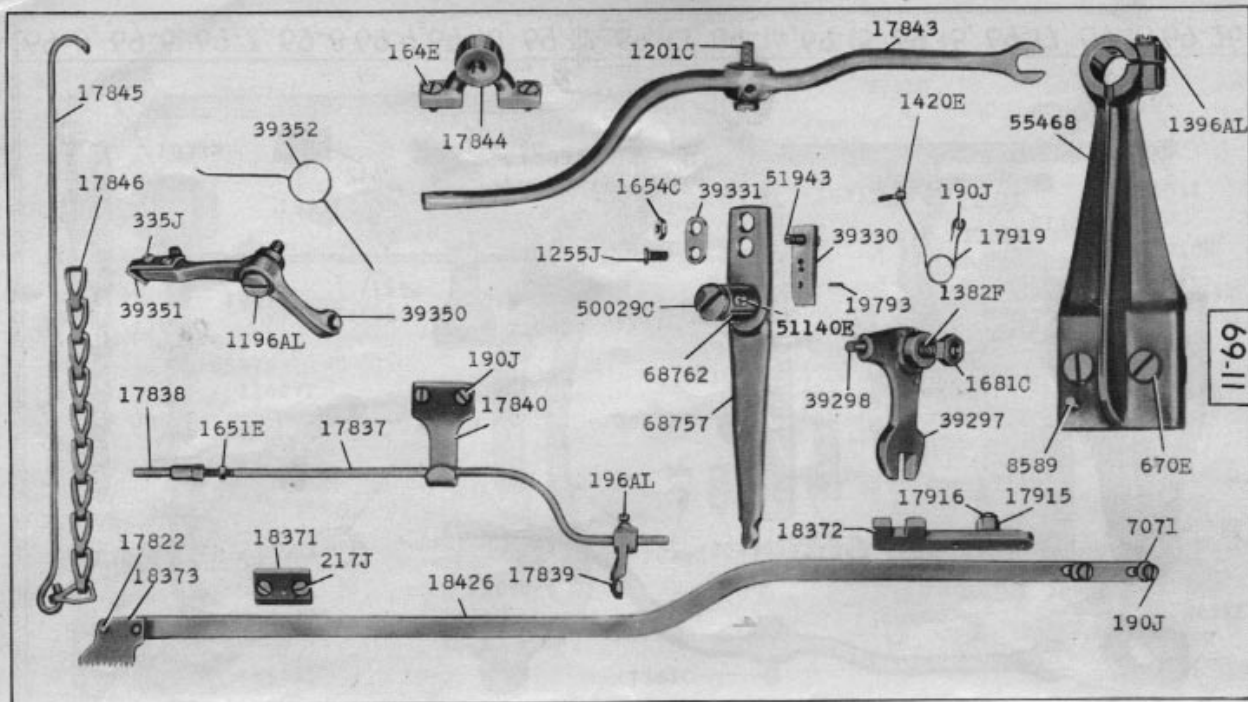


23524-1/2



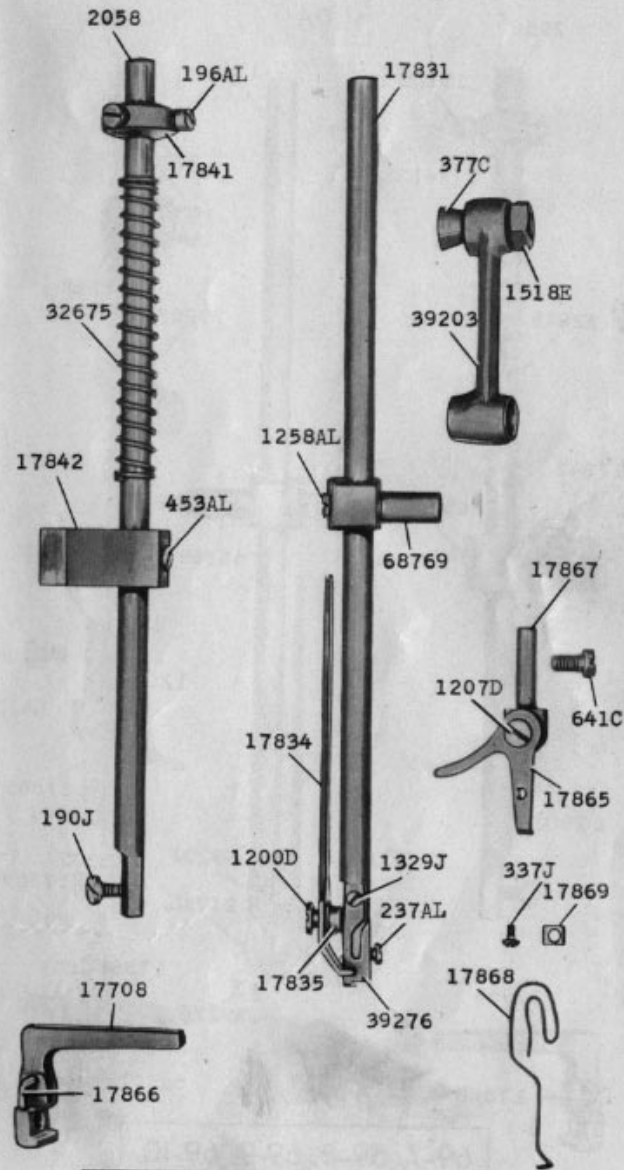
23525-1/3

69-5, 69-6, 69-7, 69-8, 69-9, 69-10, 69-12, 69-13, 69-14, 69-15, 69-16, 69-17, 69-18, 69-26



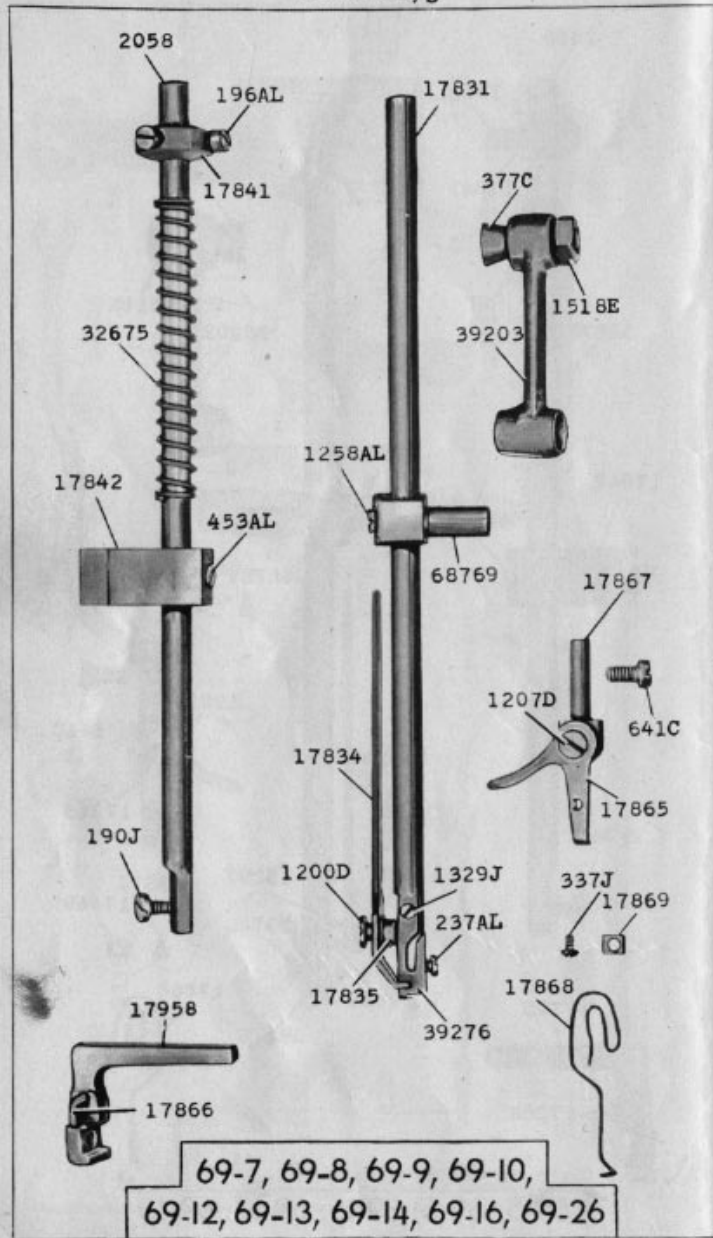
24307-1/3
 69-11

24308-2/3

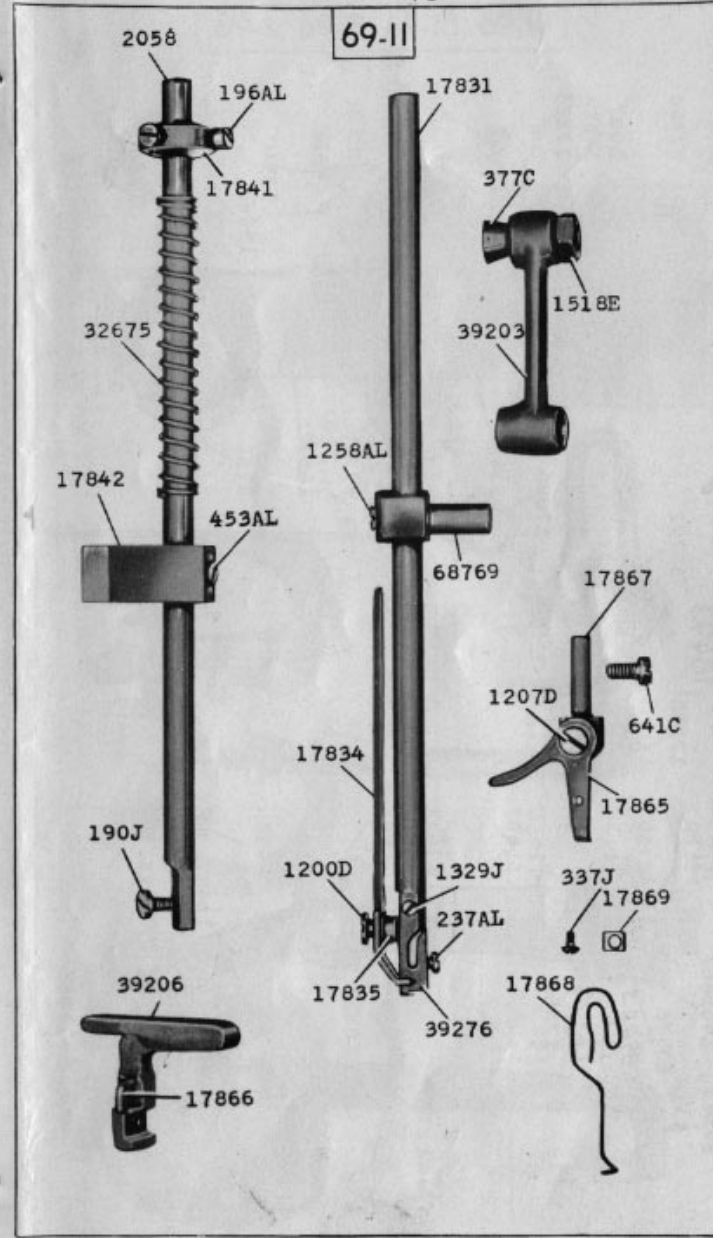


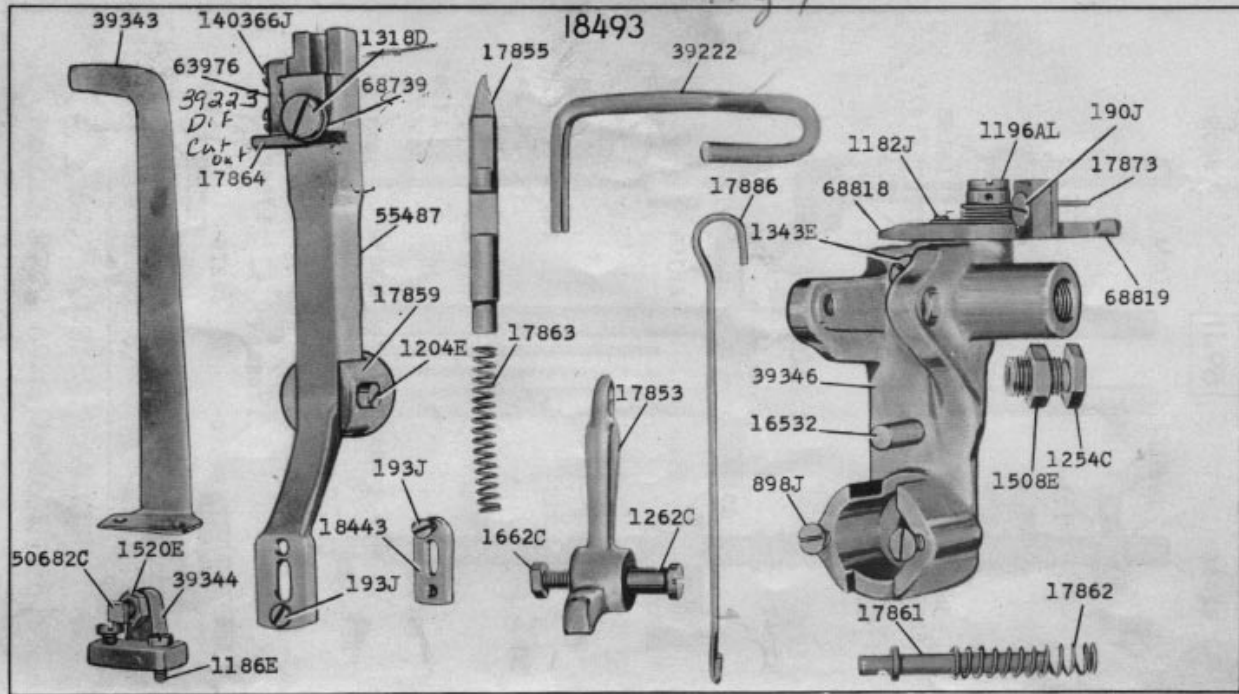
69-5, 69-6, 69-15, 69-17, 69-18

24309-2/3

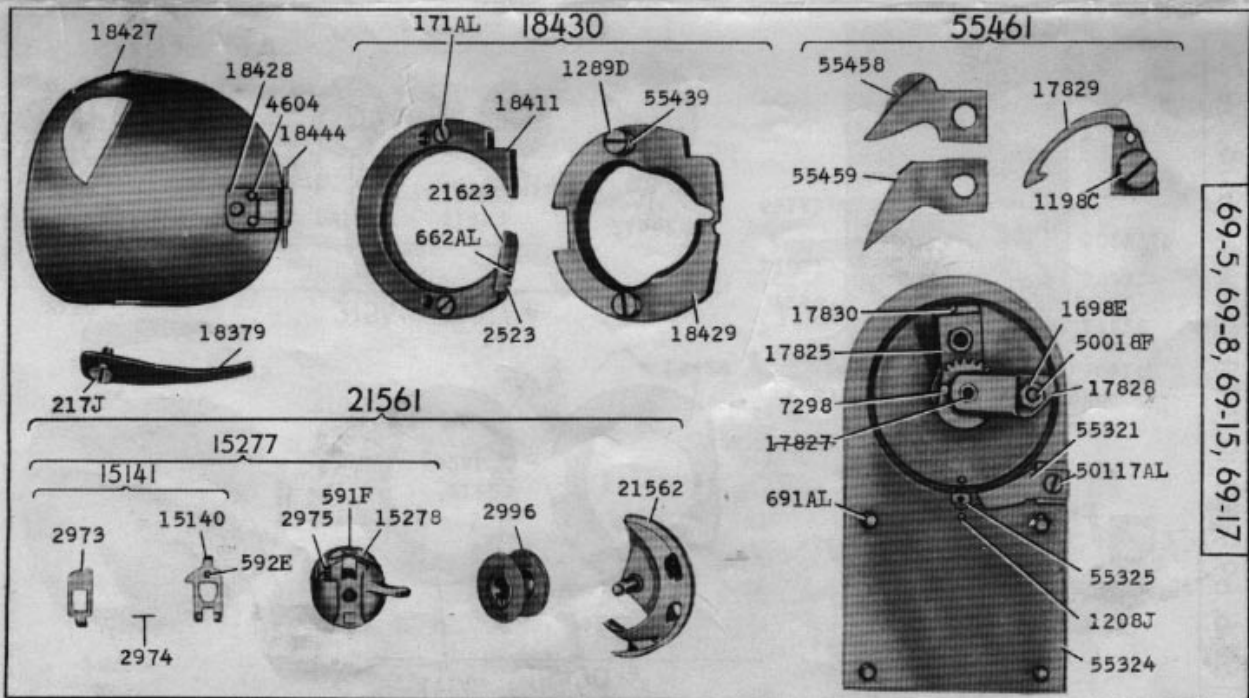


24310-2/3



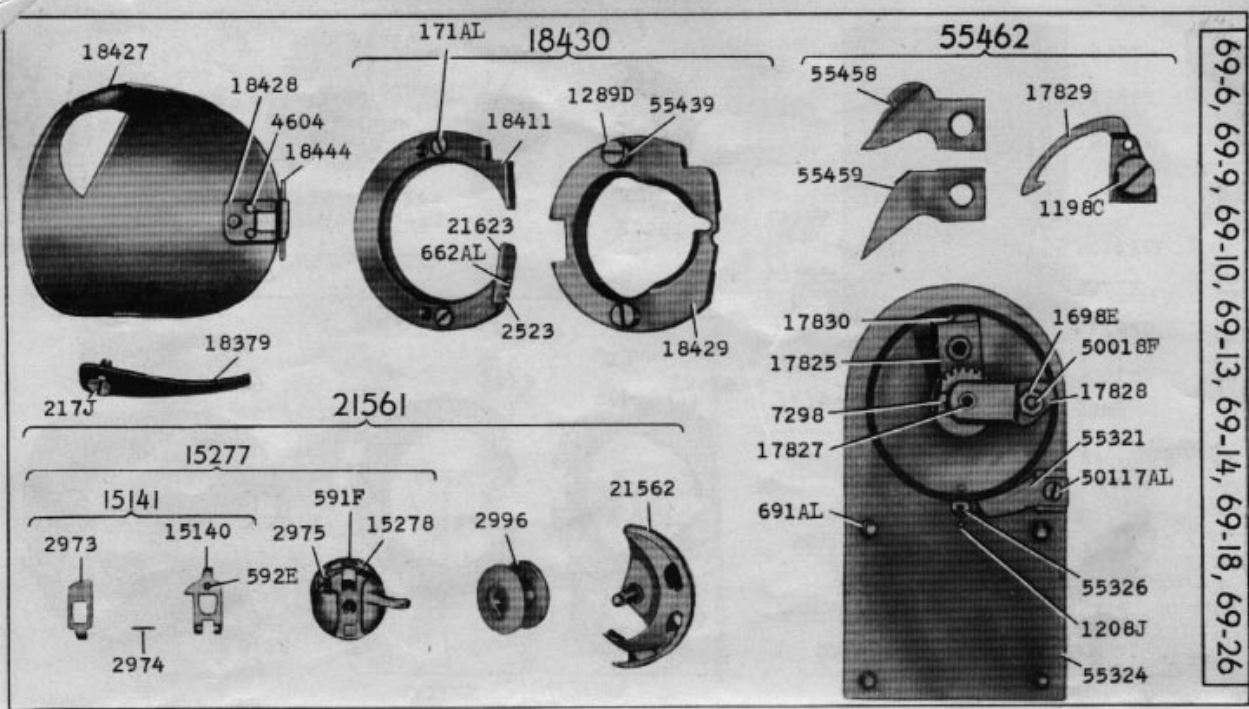


24311-2/3



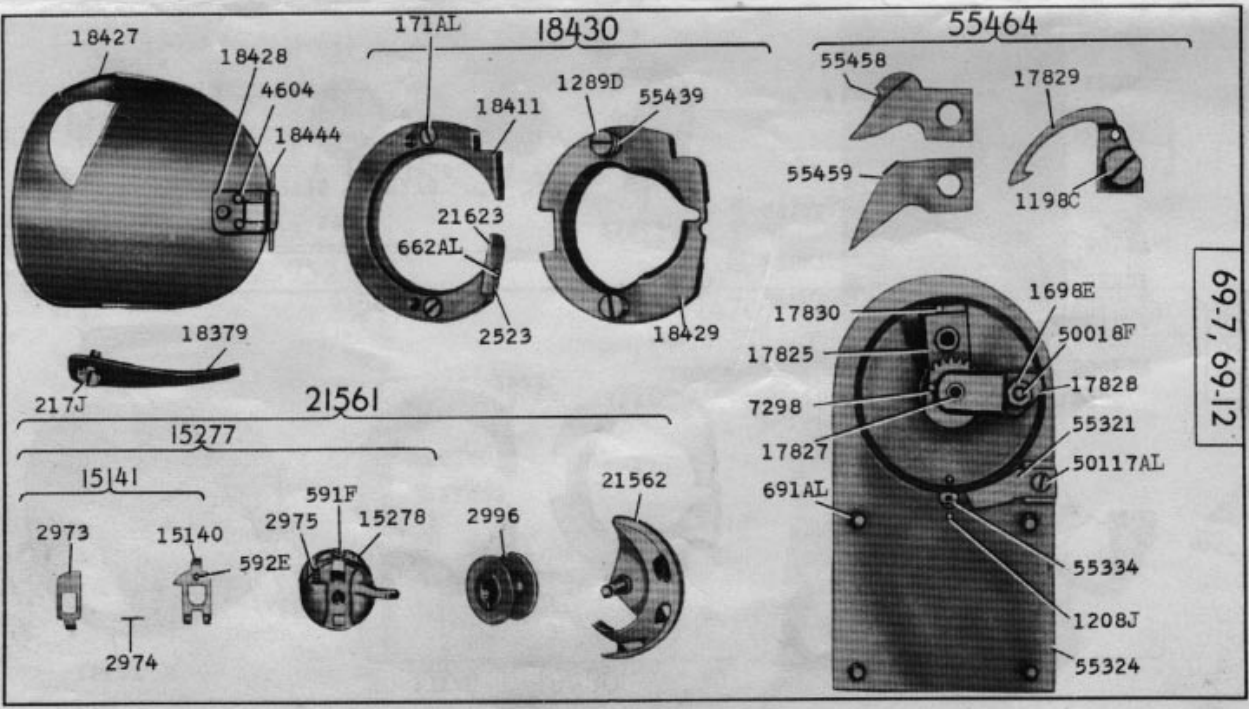
69-5, 69-8, 69-15, 69-17

24312-1/2



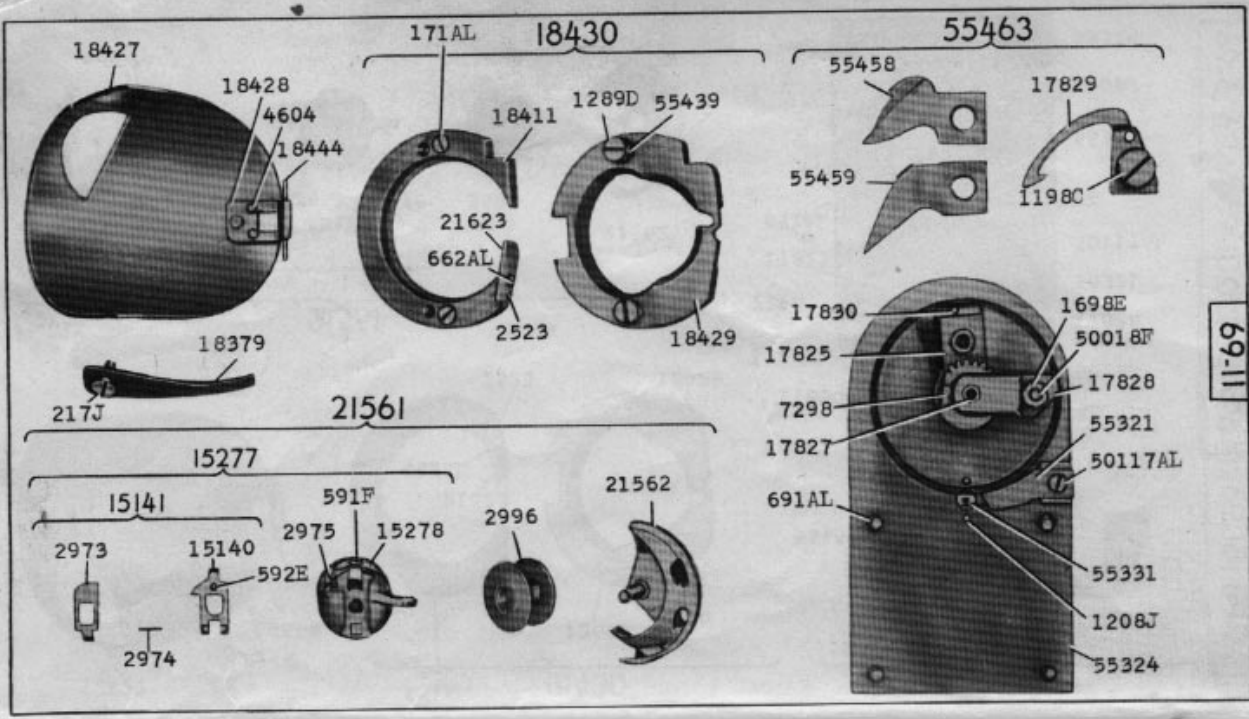
69-6, 69-9, 69-10, 69-13, 69-14, 69-18, 69-26

24313-1/2

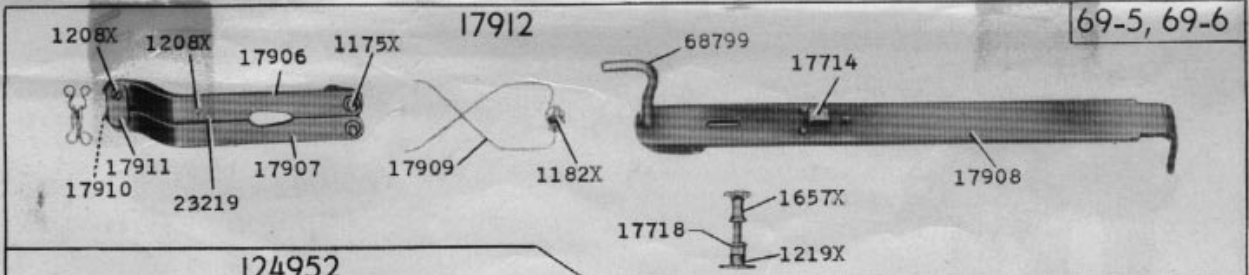


69-7, 69-12

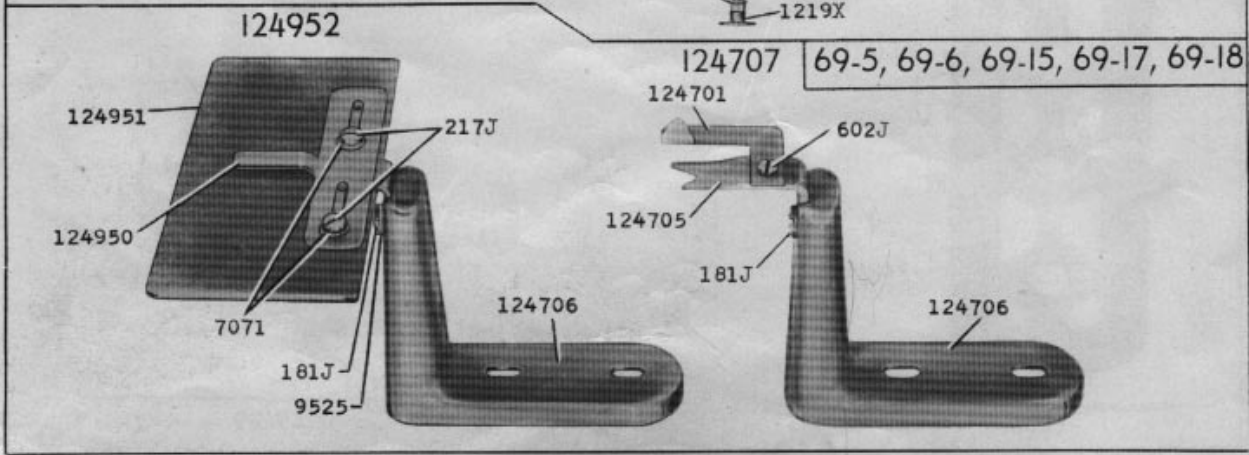
24314-1/2



24315-1/2
69-11

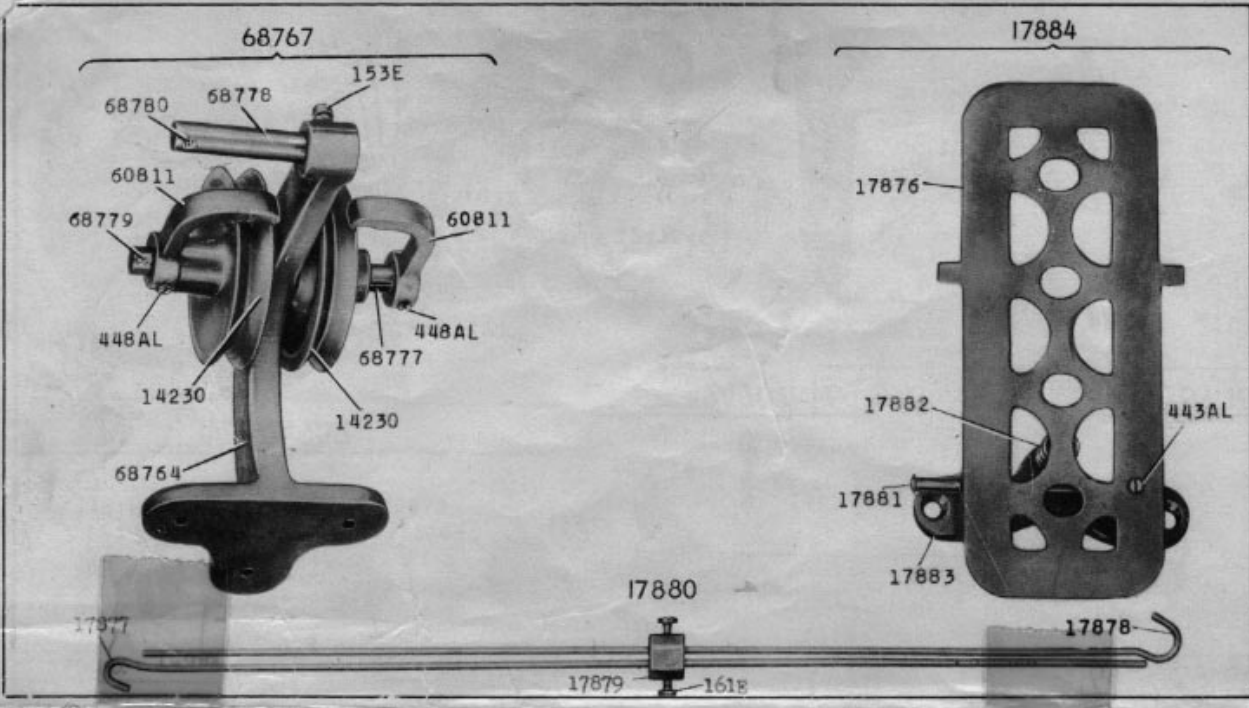


69-5, 69-6



69-5, 69-6, 69-15, 69-17, 69-18

24316-1/2



24317-1/3