

Singer 71-101

Form 2193w, Revised
(744)

Printed in U. S.

HISTORICAL COPY
DO NOT REMOVE

LIST
OF
PARTS



MACHINE No. 71-101

**** A TRADE MARK OF**

THE SINGER MANUFACTURING COMPANY

INSTRUCTIONS FOR OILING

To ensure easy running and prevent unnecessary wear of the parts which are in movable contact, the machine requires oiling and when in continuous use, "TYPE B" or "TYPE D" OIL, sold only by Singer Sewing Machine Company, should be applied at least twice each day to all oil holes marked "OIL", as instructed in Form 2174w.

"TYPE D" OIL is stainless.

INDEX

Accessories	24
Bobbin Winder	25
Driving Equipment	26
" " for Machines when set in pairs	29
Iron Base	27
Knife Grinder	28
Machine No. 71-101	5
Miscellaneous Parts	31
Numerical List of Parts	33
Thread Unwinder	28

INSTRUCTIONS FOR ORDERING

5

In ordering from this list, use **ONLY** the **PART** number in the **FIRST** column.

The number stamped on a Sewing Machine Part is the number of the **Single Part** only, except when the part includes Set Screws, Clamping Screws, Studs and Rollers Spun on, Small Wires riveted, or Parts soldered together, etc., which it is necessary to furnish in combination.

Every combination of parts sent out has its specific number which, although not stamped on Parts (except in above case), must be used when ordering the combination.

Each number always indicates the **SAME PART** in whatever list it appears, or for whatever Machine.

The letters after some of the numbers indicate the style of finish only, as follows:

- A. Hardened, Polished, Nickel Plated and Buffed.
- B. Polished, Nickel Plated and Buffed.
- C. Hardened only.
- D. Polished only.
- E. Soft, not polished.
- F. Hardened and Polished.
- H. Blued.
- J. Nickel Plated only.
- R. Merlized.
- X. Black Oxide, for Iron and Steel.
- XC. Hardened and Black Oxide, for Iron or Steel.
- Y. Black Nickel Plated only.

These letters **MUST BE USED** when they appear in the list and **AFTER** the number, as in the list.

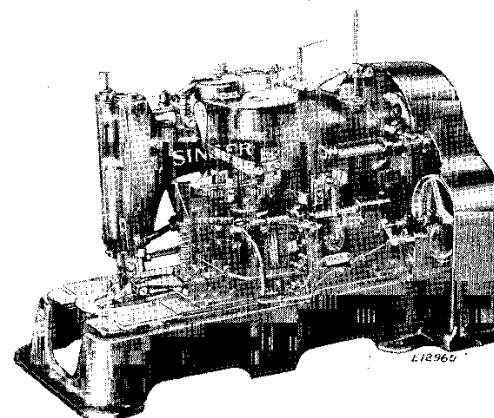
In this series

1 to 1500, 200001 to 201500 and 350001 to 351500 are Screw Numbers.
 1501 to 1800, 201501 to 201800 and 351501 to 351800 are Nut Numbers.
 1801 to 2000, 201801 to 202000 and 351801 to 352000 are Roller Numbers.
 2001 to 50000 and 202001 to 350000 are Numbers of Machine Parts.

The figures in the second column refer only to the plate in which the illustration of the part is shown and are **NOT TO BE USED** in ordering.

Two or more numbers over a cut indicate that the difference between such parts is not visible in an illustration.

Parts marked with an asterisk (*) are furnished only when repairs are made at the factory.



MACHINE NO. 71-101

Makes Purl Stitch. Square Barred Ends. Positive Gear Driven Intermittent Feed Mechanism. Knives from $\frac{3}{8}$ to $\frac{3}{4}$ inch long. Cuts Both Threads and the Hole After Stitching.

No.	Plate	Name
*249601	----	Arm with 24081
8582	18219	" Dowel Pin (2)
748E	18219	" Screw (back) (2)
368E	18219	" " (front) (2)
249602	18220	" Shaft
*24081	----	" " Bushing (front)
202260	18220	" " " Oil Packing (wick) (2)
200502H	18220	" " " " Thumb Screw (2)
249622	18220	Arm Shaft Flanged Bushing (back)
435AL	18220	" " " " " Set Screw
1069D	18220	Arm Shaft Screw
39620	18232	" Side Cover
190D	18232	" " " Screw
249604	18232	" Top Cover (left)
249605	18232	" " " (right)
190D	18232	" " " Screw (4)
249606	17921	Barring Lever
1478C	17921	" " Hinge Screw

PARTS FOR MACHINE NO. 71-101

No.	Plate	Name
249607	17921	Barring Lever Spring
1330C	17921	" " " Screw Stud
249842	17927	" " Plate (2), for use with Feed Wheel 249841
249801	17919	Barring Plate (1st bar), for use with Feed Wheel 249802
249804	17919	Barring Plate (2nd bar), for use with Feed Wheel 249802
350229E	17919	Barring Plate Screw (2)
206482	17919	" " " Washer (2)
249610	17921	" " Point
191C	17921	" " " Screw
249611	17922	" " Shaft with 452C
201713C	17922	" " " Adjusting Lock Nut (2)
249612	18232	" " " Guard
208AL	18232	" " " " Screw (2)
249613	17922	" " Slide
249740	17922	" " " Operating Plate (adjustable)
223D	17922	Barring Slide Operating Plate (adjustable) Screw (2)
350253C	17922	Barring Slide Operating Plate Adjusting Screw
1607E	17922	Barring Slide Operating Plate Adjusting Screw Nut
249614	17922	Barring Slide Operating Plate (stationary)
228D	17922	Barring Slide Operating Plate (stationary) Screw (2)
249615	17922	Barring Slide Operating Rod
249616	17921	" " " " Stud
249619	17922	" " " Stop
704E	17922	" " " Attaching Screw
898C	17922	" " " " Screw (adjustable)
452C	17922	" " " " " Set Screw
*249620	-----	Bed
249894	18219	" " " Oil Guard with 249883
249883	18219	" " " " Oil Tube (brass)
1235F	18219	" " " " Screw
249853	17942	Belt Shifter with 350287C
249854	17942	" " " Operating Collar with 350329C
350329C	17942	Belt Shifter Operating Collar Set Screw
249855	18229	Belt Shifter Operating Rod
350287C	18229	" " " " " Set Screw
350287C	17942	" " " " " Set Screw
249856	17942	" " " Shaft
249857	17942	" " " " Bracket
350288C	17942	" " " " " Hinge Screw
249858	17942	" " " " " Extension with 51047E
51047E	17942	Belt Shifter Shaft Bracket Extension Pinch Screw

PARTS FOR MACHINE NO. 71-101

No.	Plate	Name
158E	17942	Belt Shifter Shaft Bracket Extension Screw
23554	17920	Belt Shifter Shaft Bracket Spring
350338E	17920	" " " " " " Screw Stud (lower)
350339E	17942	Belt Shifter Shaft Bracket Spring Screw Stud (upper)
249860	17942	Belt Shifter Shaft Bracket Stop
191D	17942	" " " " " " Screw
249861	17942	" " " " " Guide Collar with 237F
2269	17942	Belt Shifter Shaft Guide Collar Position Pin
237F	17942	Belt Shifter Shaft Guide Collar Set Screw
249862	17942	Belt Shifter Shaft Spring
39882	17942	" " " Stop Washer (rawhide)
249863	17919	" " " Trip Point
756E	17919	" " " " " Screw
249864	17942	" " " " Stud
181D	18236	Bobbin Winder Base Screw (2)
39647	17917	Clamp Arm
625F	17885	" " " Adjusting Screw (2)
1547J	17885	" " " " " Nut (2)
39584	17885	" " " Bracket with 196F
40003	17885	" " " " Guide (left)
219F	17885	" " " " " " Screw (2)
40004	17885	" " " " " (right)
207F	17885	" " " " " " Screw (2)
191C	17885	" " " " " Screw (3)
39541	17885	" " " " " Washer (3)
23379	17885	" " " " Hinge Block
23380	17885	" " " " " Pin
196F	17885	" " " " " " Set Screw
402D	17885	" " " " " Screw (3)
249751	17916	" " Carrier with 249735 and two 934H
40006	17923	" " " Block with 40007 and four 404D
40007	17923	Clamp Carrier Block Plate
404D	17923	" " " " " " Screw
23384	17923	" " " Connecting Rod
52C	17923	" " " " " Hinge Screw
39591	17916	" " " " Guide (left)
756D	17916	" " " " " " Screw (long)
1345D	17916	Clamp Carrier Guide (left) Screw (short)
39645	17916	" " " " " (right)
1230F	17916	" " " " " " Screw (2)
249753	17885	" " " Plate
1231F	17885	" " " " " Screw (back) (2)
404D	17885	" " " " " (front) (2)
249623	17923	" " " Regulator with 240D, 1960 and 39583
1232C	17923	Clamp Carrier Regulator Hinge Screw
1960	17923	" " " " " Roller and Screw Stud with 1520J

PARTS FOR MACHINE NO. 71-101

No.	Plate	Name
1520J	17923	Clamp Carrier Regulator Roller and Screw Stud Nut
249895	18219	Clamp Carrier Regulator Slide
350076C	17923	" " " Stud (to regulate length of buttonhole)
1671C	17923	Clamp Carrier Regulator Stud Nut
39532	17923	" " " " Sleeve
39583	17923	" " " " Stop
240D	17923	" " " " Screw
39605	17916	" " Slide with 1345D,39591 and two 756D
23392	17916	Clamp Carrier Slide Guide (left)
23393	17916	" " " " (right)
914F	17916	" " " " Screw (4)
249625	17923	" " " " Lever with 1960
23395	17923	" " " " Regulator
23396	17923	" " " " Cap
223D	17923	" " " " Screw (4)
67D	17923	Clamp Carrier Slide Lever Regulator Screw
1960	17923	Clamp Carrier Slide Lever Roller and Screw Stud with 1520J
1520J	17923	Clamp Carrier Slide Lever Roller and Screw Stud Nut
7278	17923	Clamp Carrier Slide Lever Socket Joint
1234C	17923	" " " " Regulating Stud
23397	17923	" " " " Bushing
1658C	17923	Clamp Carrier Slide Regulating Stud Thumb Nut
1256D	17916	Clamp Carrier Slide Screw (2)
*249735	-----	" " Stay Plate
934H	17916	" " " " Screw
249626	17918	" Check with 249630,350297E and two 50138F, for 3/8 to 3/4 in. Buttonholes
249755	17918	Clamp Check with 249630,350297E and two 50138F, for 3/8 to 1 in. buttonholes
249627	17918	Clamp Check Clamping Section (left)
249628	17918	" " " " (right)
337B	17918	" " " " Screw (4)
249756	17918	" " Holder (for use with 249758)
39650	17918	" " " " (for use with 249810)
337B	17917	" " " " Adjusting Screw
249749	17917	" " " " Friction Plate
212D	17917	Clamp Check Holder Hinge Cap Screw
237F	17917	" " " " Stop Screw
39715	17917	" " " " Washer
1296AL	17918	" " " " Screw (2)
249630	17918	" " " " Section and Cutting Plate
50138F	17918	" " " " " " " " Screw(2)
350297E	17918	Clamp Check Section and Cutting Plate Support Stud
1296AL	17918	Clamp Check Stop Screw

PARTS FOR MACHINE NO. 71-101

No.	Plate	Name
249840	17918	Clamp Check Thread Clamping Pressure Spring
350298D	17918	Clamp Check Thread Clamping Pressure Spring Screw
249629	17918	Clamp Check complete, for 3/8 to 3/4 in. buttonholes, Nos. 219F, 232105, 249626 to 249628, 249719, 249720, 249827, 249828, 249840, 350298D and four 337B
249810	17918	Clamp Check complete, for 3/8 to 3/4 in. buttonholes, for wide bar and wide bight, Nos. 219F, 232105, 249626, 249719, 249720, 249827, 249828, 249840 and 350298D
249758	17918	Clamp Check complete, for 3/8 to 1 in. buttonholes, Nos. 219F, 232105, 249719, 249720, 249755, 249827, 249828, 249840 and 350298D
39724	17917	Clamp Lifting Arm
249759	17920	" " " " Connection (lower section)
249865	17920	Clamp Lifting Arm Connection (upper section)
249866	17920	Clamp Lifting Arm Connection complete, Nos. 704C, 23390, 249759 and 249865
41C	17920	Clamp Lifting Arm Connection Hinge Screw
1520J	17920	" " " " " " " " Nut
249867	17942	Clamp Lifting Arm Connection Lock
940F	17942	" " " " " " " " Hinge Screw
232065	17942	Clamp Lifting Arm Connection Lock Spring
201295E	17942	" " " " " " " " Screw Stud
249805	17942	Clamp Lifting Arm Connection Lock Stop Plate
194C	17942	Clamp Lifting Arm Connection Lock Stop Plate Support Stud
249760	17920	Clamp Lifting Arm Connection Lock Trip Lever with 690D
690D	17920	Clamp Lifting Arm Connection Lock Trip Lever Pinch Screw
1901	17920	Clamp Lifting Arm Connection Roller and Screw Stud with 229D and 12424
40016	17920	Clamp Lifting Arm Connection Roller and Screw Stud Bracket
157F	17920	Clamp Lifting Arm Connection Roller and Screw Stud Bracket Screw
39541	17920	Clamp Lifting Arm Connection Roller and Screw Stud Bracket Screw Washer
229D	17920	Clamp Lifting Arm Connection Roller Cap Screw
12424	17920	Clamp Lifting Arm Connection Roller Cap Screw Washer
704C	17920	Clamp Lifting Arm Connection Screw
23390	17920	" " " " " " " " Washer
199D	17917	" " " " " " " " Screw (2)
40020	17885	" Plate

PARTS FOR MACHINE NO. 71-101

No.	Plate	Name
1235F	17916	Clamp Plate Screw (4)
23573	17885	" " Support
402D	17885	" " Screw (2)
23574	17885	" Post
1659C	17885	" Pressure Regulating Thumb Nut
23404	17885	" Spring
23693	17885	" " Bushing
1294C	17885	" " " Position Stud
1550J	17885	" " " " " Nut
24028	18220	Crank Connecting Rod with 24085 and two 896E
*24085	-----	Crank Connecting Rod Cap
896E	18220	" " " " " Screw
908C	18220	" " " " " Hinge Screw
1619E	18220	" " " " " " Nut
249933	18220	" " " " " " Oil Tube (brass)
249631	18219	Face Plate
217D	18219	" " " Screw (lower)
190D	18219	" " " " (upper)
249846	17919	Feed Driving Gear with two 448AL
249965	17919	" " " " (intermediate) with two 457E
40141	17919	Feed Driving Gear (intermediate large) for Stud
249967	17919	Feed Driving Gear (intermediate small) for Stud
249968	17919	Feed Driving Gear (intermediate) for swing bracket
249969	17919	Feed Driving Gear (intermediate) Bracket
40142	17942	" " " " " " Position Lever
1178C	17919	Feed Driving Gear (intermediate) Bracket
		Position Lever Clamping Screw
249970	17919	Feed Driving Gear (intermediate) Pinion Shaft
249995	17919	Feed Driving Gear (intermediate) Pinion Shaft Collar with two 350462E
350462E	17919	Feed Driving Gear (intermediate) Pinion Shaft Collar Set Screw
249849	17919	Feed Driving Gear (intermediate) Pinion Shaft Eccentric Bushing
249844	17919	Feed Driving Gear (intermediate) Pinion Shaft Eccentric Bushing Position Plate
161D	17919	Feed Driving Gear (intermediate) Pinion Shaft Eccentric Bushing Position Plate Screw
232719	17919	Feed Driving Gear (intermediate) Position Pin
457E	17919	Feed Driving Gear (intermediate) Set Screw
249971	17919	Feed Driving Gear (intermediate) Stud
249972	17919	" " " " " Swing Bracket
350310D	17919	Feed Driving Gear (intermediate) Swing Bracket Screw

PARTS FOR MACHINE NO. 71-101

No.	Plate	Name
232131	17919	Feed Driving Gear (intermediate) Swing Bracket Screw Washer
40025	17919	Feed Driving Gear Position Pin
448AL	17919	" " " " " Set Screw
249905	17942	" " Hand Ratchet Lever
249906	17942	" " " " " Extension Handle
160H	17942	Feed Hand Ratchet Lever Extension Handle Screw
249907	17942	Feed Hand Ratchet Lever Pawl with 232382
90D	17942	Feed Hand Ratchet Lever Pawl Hinge Screw
250058	17942	Feed Hand Ratchet Lever Pawl Spring
232382	17942	" " " " " " " " Pin
1449H	17942	" " " " " " " " Screw
249914	17942	Feed Hand Ratchet Lever complete, Nos. 90D, 160H, 1449H, 249905 to 249907 and 250058
39924	17919	Feed Hand Ratchet Wheel with 460AL
3012	17919	" " " " " " " " Pin
460AL	17919	" " " " " " " " Set Screw
249841	17927	" Wheel with 249641 and two 220D (180 stitches, 6 bar)
Note: Feed Wheel 249802 is furnished with this machine unless 249841 is specified on order		
249802	17923	Feed Wheel with 249641 and two 220D (120 stitches, 6 bar)
201668E	17919	Feed Wheel Clamping Nut
40140	17919	" " " " " Shaft
249640	17923	" " " " " Tripping Lever
350237C	17923	" " " " " " " " Hinge Screw
1620E	17923	" " " " " " " " Nut
249868	17923	" " " " " " " " Point
203C	17923	" " " " " " " " Screw (2)
646F	17923	" " " " " " " " Screw Stud
250444	17923	" " " " " " " " Washer
23435	17923	Feed Wheel Tripping Lever Spring
190D	17923	" " " " " " " " Screw
184E	17923	" " " " " " " " Stop Screw
249641	17923	" " " " " " " " Point
220D	17923	" " " " " " " " Screw
*249642	17922	Intermittent Feed Wheel with two 350249E
*249936	17922	Intermittent Feed Wheel Driving Bevel Gear with two 351872
*249644	17922	Intermittent Feed Wheel Driving Bevel Gear Bracket

No.	Plate	Name
249545	17921	Knife Bar Stop Retainer Plate
50615D	17921	" " " " " Screw (2)
39534	17921	" Holder
1243C	17924	" " Guide Stud
1608C	17924	" " " " Nut
157C	17921	" " Screw
1547J	17921	" " " Nut
191C	17921	" Screw
23390	17921	" " Washer
39857	17924	Needle Bar with 904F
23476	17924	" " Connecting Link with 794E
794E	17924	" " " " Adjusting Screw
1021E	17924	Needle Bar Connecting Link Cap Screw
39601	17924	" " " Stud with 1341C
1341C	17924	" " " " Set Screw
23477	18220	" " Crank with 858AL,1036AL, 1065AL and 1258AL
1065AL	18220	Needle Bar Crank Position Screw
858AL	18220	" " " Set screw
23478	17924	" " Frame with 4784
249666	17924	" " " Connection
350254F	17924	" " " " Cap Screw
350251C	17924	" " " " Hinge Screw
1651J	17924	" " " " " " Lock Nut
249667	17922	Needle Bar Frame Driving Gear
249671	17922	" " " " " (intermediate) (large) with 235356
249672	17922	Needle Bar Frame Driving Gear (intermediate) (small)
249669	17922	Needle Bar Frame Driving Gear (intermediate) Bracket with 1149AL
250397	17922	Needle Bar Frame Driving Gear (intermediate) Bracket Position Pin
129E	17922	Needle Bar Frame Driving Gear (intermediate) Bracket Screw (2)
201715C	17922	Needle Bar Frame Driving Gear (intermediate) Clamping Nut
235356	17922	Needle Bar Frame Driving Gear (intermediate) Pin
249670	17922	Needle Bar Frame Driving Gear (intermediate) Stud
1149AL	17922	Needle Bar Frame Driving Gear (intermediate) Stud Set Screw
200068H	17922	Needle Bar Frame Driving Gear Screw (2)
23610	17924	Needle Bar Frame Pitman (hinge screw end)
23609	17924	Needle Bar Frame Pitman (regulator end)
190C	17924	" " " " Adjusting Screw
7071	17924	" " " " " Washer
23611	17924	Needle Bar Frame Pitman (adjustable) complete, Nos. 23609, 23610, two each 190C and 7071
1042C	17924	Needle Bar Frame Pitman Hinge Screw
1547J	17924	" " " " " Nut

No.	Plate	Name
249673	17924	Needle Bar Frame Regulator
1038C	17924	" " " " Adjusting Screw
1696C	17924	Needle Bar Frame Regulator Adjusting Screw Nut
7070	17924	Needle Bar Frame Regulator Adjusting Screw Sleeve
39504	17924	Needle Bar Frame Regulator Adjusting Screw Washer
249668	17924	Needle Bar Frame Regulator Hinge Stud
446C	17924	" " " " " Set Screw
673F	17924	Needle Bar Frame Screw Center
1517J	17924	" " " " " Nut
249762	17916	" Plate
350234D	17916	" " Screw (2)
904F	17924	" Set Screw
*249674	17922	" Vibrating Gear with two 350249E
12546	17922	" " " Position Pin
350249E	17922	" " " " Screw
39653	18220	Oscillating Rock Shaft
23494	18220	" " " Hinge Pin with 23421
23421	18220	Oscillating Rock Shaft Hinge Pin Oil Hole Plug (leather)
448AL	18220	Oscillating Rock Shaft Hinge Pin Set Screw
39654	18220	Oscillating Rock Shaft complete, Nos. 4784, 23494 and 39653
4784	18220	Oscillating Rock Shaft Oil Pad
39655	18220	" Shaft
39656	18220	" " Bushing (back)
24047	18220	" " " (front)
249931	18220	" " " " Oil Tube (brass)
250451	18220	Oscillating Shaft Bushing (front)
190D	18220	Oil Tube Plate
249932	18220	Oscillating Shaft Bushing (front)
39657	18220	Oil Tube Plate Screw
1253C	18220	Oscillating Shaft Bushing (front)
39658	18220	Oil Tube Support Plate
19448	18220	Oscillating Shaft Crank
226J	18220	" " " " Set Screw
12424	18220	Oscillating Shaft Crank complete, Nos. 1636E, 24050, 39657 and two 1253C
1035C	18220	Oscillating Shaft Crank Slide Block
1636E	18220	" " " " " Cap Screw
		Oscillating Shaft Crank Slide Block Cap Screw Washer
		Oscillating Shaft Crank Slide Block Screw Stud
		Oscillating Shaft Crank Slide Block Screw Stud Nut

No.	Plate	Name
24050	18220	Oscillating Shaft Crank Slide Block complete, Nos. 226J, 1035C, 12424 and 19448
*249890	-----	Pulley (loose) with 200584D
249891	18220	" " Ball Bearing
249892	18220	" " Bushing
200584D	18220	" " Grease Retaining Screw
249893	18220	Pulley (loose, ball bearing) complete, Nos. 249890 to 249892
249702	18220	Pulley (tight) with 454C
40025	18220	" " Pin (2)
454C	18220	" " Set Screw
262014	17942	Sewing Safety Lock
59D	17942	" " " Hinge Screw
249947	17942	" " " Pitman (front section)
249948	17942	" " " (rear section)
914F	17942	" " " " Screw
39541	17942	" " " " Washer
249949	17942	Sewing Safety Lock Pitman complete, Nos. 249947, 249948, two each 914F and 39541
350235D	17942	Sewing Safety Lock Pitman Hinge Screw (back)
766D	17942	Sewing Safety Lock Pitman Hinge Screw (front)
23500	17925	Shuttle Bobbin
249919	17925	" " Case Hinge, Nos. 2974, 15140 and 249920
15140	17925	Shuttle Bobbin Case Latch
249920	17925	" " " " Lever
2974	17925	" " " " " Fulcrum Pin
2975	17925	Shuttle Bobbin Case Latch Spring
592E	17925	" " " " Stop Screw
23501	17925	" " " " Position Finger
2523	17925	" " " " " Rivet
249546	17925	" " " " " Plate
399D	17925	" " " " " Screw
249921	17925	Shuttle Bobbin Case complete, Nos. 591F, 592E, 2523, 2975, 15098, 23501 and 249919
23503	17925	Shuttle Body
249918	17925	" " 1-11/16 in. diam., Nos. 23500, 23503 and 249921
23505	18220	Shuttle Driver with 462AL
2269	18220	" " " Pin
462AL	18220	" " " Set Screw
249924	17925	" " Race
39969	17925	" " " Back
2532	17925	" " " " Position Pin
2533	17925	" " " " Spring
907E	17925	" " " " " Screw
7326	17925	" " " Cap
662D	17925	" " " " Screw
249928	17925	" " " Oil Packing (felt)
249926	17925	" " " Plate
203E	17925	" " " " Screw

No.	Plate	Name
249927	17925	Shuttle Race Position Pin
249929	17925	Shuttle Race complete, Nos. 907E, 2533, 7326, 39969, 249546, 249924, 249926, two each 399D, 662D, 2532, 249927, 249928 and three 203E
145F	17925	Shuttle Race Screw (2)
591F	17925	" " Tension Regulating Screw
15098	17925	" " " Spring
249703	18229	Starting Lever
717C	18229	" " " Adjusting Screw
1520J	18229	" " " " " Nut
249704	18229	" " " Bracket
6582	18229	" " " " Dowel Pin (2)
123E	18229	" " " " " Screw
23511	18229	" " " Rod
61C	18229	" " " " Hinge Screw
564C	18229	" " " Screw Center
58384	18229	" " " " " 564C with 1508R (2)
1508R	18229	Starting Lever Screw Center Nut
23624	18229	" " " Spring
39675	18229	" " " " Collar with two 191C
191C	18229	Starting Lever Spring Collar Set Screw
202005	18229	" " " " Washer
124F	18229	" " " Stop Screw
1518J	18229	" " " " " Nut
249675	17922	Stitch Regulating Gear, 18 teeth
249677	17922	" " " " 20 teeth
249679	17922	" " " " 24 teeth
Note: No. 249682 is furnished with Machines unless another Stitch Regulating Gear is specified on order.		
249682	17922	Stitch Regulating Gear, 30 teeth
249725	17922	" " " " 36 teeth
249727	17922	" " " " 40 teeth
249744	17922	" " " " 45 teeth
249923	17942	" " " " Disengaging Lever
350337C	17942	Stitch Regulating Gear Disengaging Lever Hinge Screw
40144	17942	Stitch Regulating Gear Disengaging Slide
40145	17942	Stitch Regulating Gear Disengaging Slide Bracket
158E	17942	Stitch Regulating Gear Disengaging Slide Bracket Screw
95C	17942	Stitch Regulating Gear Disengaging Slide Operating Screw
99C	17942	Stitch Regulating Gear Disengaging Slide Screw (2)
201721C	17922	Stitch Regulating Gear Guide and Lock Nut
40146	17919	Stitch Regulating Gear Guard
249739	17922	Stitch Regulating Gear Pin
249912	17922	" " " " Spring
249705	18229	Stop Cam with two 202330

PARTS FOR MACHINE NO. 71-101

No.	Plate	Name
249706	18229	Stop Cam Gear
249707	18229	" " " Guard
164D	18229	" " " Screw (2)
249708	18229	" " " Stud
200522C	18229	" " " Set Screw
249741	18229	" " Interlocking Rod
249950	-----	" " " Guide 249709 with 1959
249709	18229	Stop Cam Interlocking Rod Guide with 1070C
1070C	18229	Stop Cam Interlocking Rod Guide Set Screw
39988	18229	Stop Cam Interlocking Rod Guide Washer (rawhide)
21651	18229	Stop Cam Interlocking Rod Spring
913C	18229	" " " " " Reg- ulating Thumb Screw
1638E	18229	Stop Cam Interlocking Rod Spring Reg- ulating Thumb Screw Nut
202330	18229	Stop Cam Oil Packing (wick)
249742	18229	" " Spring
249943	18229	" " " Cover
200083D	18229	" " " " Screw (3)
871C	18229	" " " Stop Screw
249713	18229	" " " " Block with 457AL
457AL	18229	Stop Cam Spring Stop Screw Block Set Screw
249922	17923	Stop Lever
50416C	17923	" " Hinge Screw
2102	18231	Tension(side of arm)Disc(2)
1560C	18231	" " " " Regulating Thumb Nut
23519	18231	Tension(side of arm)Releaser with 200F
40033	17920	" " " " Arm with 50128E
12538	17920	Tension(side of arm)Releaser Arm Pin
50128E	17920	" " " " " Set Screw
40051	17920	Tension(side of arm)Releaser Lever with 641C
40052	17920	Tension(side of arm)Releaser Lever Lock Pin
1352C	17920	Tension(side of arm)Releaser Lever Lock Pin Screw Bushing
40053	17920	Tension(side of arm)Releaser Lever Lock Pin Spring
2117C	17920	Tension(side of arm)Releaser Lever Pin
641C	17920	" " " " " Set Screw
249880	17920	Tension(side of arm)Releaser Lever Shaft
40067	17920	Tension(side of arm)Releaser Lever Shaft Bracket
966D	17920	Tension(side of arm)Releaser Lever Shaft Bracket Screw (3)

PARTS FOR MACHINE NO. 71-101

No.	Plate	Name
249943	17920	Tension(side of arm)Releaser Lever Spring
1241E	17920	Tension(side of arm)Releaser Lever Spring Screw Stud (2)
717C	17920	Tension(side of arm)Releaser Lever Stop Screw
1520J	17920	Tension(side of arm)Releaser Lever Stop Screw Nut
1469C	18229	Tension(side of arm)Releaser Lever Stop Screw Stud
200F	18231	Tension(side of arm)Releaser Set Screw
23520	18231	" " " " " Shaft
40034	18231	" " " " " Crank
679C	18231	" " " " " " "
		Ball Screw Stud
1520J	18231	Tension(side of arm)Releaser Shaft Crank Ball Screw Stud Nut
2269	18231	Tension(side of arm)Releaser Shaft Crank Pin
1043C	18231	Tension(side of arm)Screw Stud
350060C	18231	" " " " " " Set Screw
3238	18231	Tension(side of arm)Spring
32012	18232	" (top cover) Disc (2)
1560C	18232	" " " Regulating Thumb Nut
249685	18232	" " " Releaser
1387C	18232	" " " " Guide Screw Stud
1521E	18232	Tension(top cover)Releaser Guide Screw Stud Nut
249686	18232	Tension(top cover)Releaser Holder with 201F
999F	18232	Tension(top cover)Releaser Holder Hinge Screw
249687	17921	Tension(top cover)Releaser Rod
40043	17921	" " " " " Collar with 209AL (2)
209AL	17921	Tension(top cover)Releaser Rod Collar Set Screw
249800	17921	Tension(top cover)Releaser Rod Spring
201F	18232	" " " " Set Screw
32572	18232	" " " Releasing Disc
39633	18232	" " " " Lever
249688	18232	" " " " " Connect- ion
974F	18232	Tension(top cover)Releasing Lever Connection Screw (back)
940F	18232	Tension(top cover)Releasing Lever Connection Screw (front)
90C	18232	Tension(top cover)Releasing Lever Hinge Screw
39635	18232	Tension(top cover)Releasing Pin
1388C	18232	" " " Screw Stud
1664E	18232	" " " " " Nut

PARTS FOR MACHINE NO. 71-101

No.	Plate	Name
2103	18232	Tension (top cover) Spring
39636	18232	" " " Thread Eyelet (double)
217F	18232	Tension (top cover) Thread Eyelet Screw
40035	17916	Thread (lower) Cutting Blade
40036	17916	" " " " Carrier with 40038
40037	17920	Thread (lower) Cutting Blade Carrier Lever
32C	17920	Thread (lower) Cutting Blade Carrier Lever Hinge Screw
249534	17920	Thread (lower) Cutting Blade Carrier Lever Spring
1241E	17920	Thread (lower) Cutting Blade Carrier Lever Spring Screw Stud (2)
435AL	17920	Thread (lower) Cutting Blade Carrier Lever Stop Screw
1520J	17920	Thread (lower) Cutting Blade Carrier Lever Stop Screw Nut
40038	17916	Thread (lower) Cutting Blade Carrier Stud
39646	17916	Thread (lower) Cutting Blade Friction Plate
228F	17916	Thread (lower) Cutting Blade Friction Plate Screw (2)
240D	17916	Thread (lower) Cutting Blade Screw (2)
249831	17920	Thread (lower) Cutting Lever
1351C	17920	" " " " Ball Screw
1520J	17920	Thread (lower) Cutting Lever Ball Screw Nut
249871	17920	Thread (lower) Cutting Lever Extension
350246C	17920	" " " " " " Hinge Screw
1521E	17920	Thread (lower) Cutting Lever Extension Hinge Screw Nut
249916	17920	Thread (lower) Cutting Lever Extension Spring
996E	17920	Thread (lower) Cutting Lever Extension Spring Screw Stud
249845	17916	Thread (lower) Pull-off Finger
106C	17916	" " " " Guide Screw
1350C	17916	Thread (lower) Pull-off Finger Hinge Screw
249719	17918	Thread (upper) Clamping Blade
249720	17918	" " " Cutting Blade
249826	17917	" " " " Connecting Rod
350265C	17917	Thread (upper) Cutting Blade Connect- ing Rod Hinge Screw
40123	17917	Thread (upper) Cutting Blade Connect- ing Rod Latch

PARTS FOR MACHINE NO. 71-101

No.	Plate	Name
40124	17917	Thread (upper) Cutting Blade Connect- ing Rod Latch Block with 237F
40125	17917	Thread (upper) Cutting Blade Connect- ing Rod Latch Block Plate (adjust- able)
217E	17917	Thread (upper) Cutting Blade Connect- ing Rod Latch Block Plate Screw
2273	17917	Thread (upper) Cutting Blade Connect- ing Rod Latch Block Position Pin
237F	17917	Thread (upper) Cutting Blade Connect- ing Rod Latch Block Set Screw
40045	17917	Thread (upper) Cutting Blade Connect- ing Rod Latch Block Washer (raw- hide)
40126	17917	Thread (upper) Cutting Blade Connect- ing Rod Latch Block complete, Nos. 217E, 40124 and 40125
39861	17917	Thread (upper) Cutting Blade Connect- ing Rod Latch Hinge Bracket
39864	17917	Thread (upper) Cutting Blade Connect- ing Rod Latch Hinge Bracket Plate
201291B	17917	Thread (upper) Cutting Blade Connect- ing Rod Latch Hinge Bracket Plate Screw
201296D	17917	Thread (upper) Cutting Blade Connect- ing Rod Latch Hinge Bracket Screw
7071	17917	Thread (upper) Cutting Blade Connect- ing Rod Latch Hinge Bracket Screw Washer
201289C	17917	Thread (upper) Cutting Blade Connect- ing Rod Latch Hinge Screw
249691	17920	Thread (upper) Cutting Blade Connect- ing Rod Latch Lifting Arm
249989	17920	Thread (upper) Cutting Blade Connect- ing Rod Latch Lifting Arm Spring
249878	17920	Thread (upper) Cutting Blade Connect- ing Rod Latch Lifting Arm Stud
1521E	17920	Thread (upper) Cutting Blade Connect- ing Rod Latch Lifting Arm Stud Nut
249930	17920	Thread (upper) Cutting Blade Connect- ing Rod Latch Lifting Lever
249990	17920	Thread (upper) Cutting Blade Connect- ing Rod Latch Lifting Lever Ad- justing Plate
206F	17920	Thread (upper) Cutting Blade Connect- ing Rod Latch Lifting Lever Ad- justing Plate Screw (2)
250491	17920	Thread (upper) Cutting Blade Connect- ing Rod Latch Lifting Lever Ad- justing Plate Screw Washer
350287C	17920	Thread (upper) Cutting Blade Connect- ing Rod Latch Lifting Lever Screw
39541	17920	Thread (upper) Cutting Blade Connect- ing Rod Latch Lifting Lever Screw Washer
39862	17917	Thread (upper) Cutting Blade Connect- ing Rod Latch Spring

No.	Plate	Name
233D	17917	Thread (upper) Cutting Blade Connecting Rod Latch Spring Screw
23606	17917	Thread (upper) Cutting Blade Connecting Rod Spring
249879	17917	Thread (upper) Cutting Blade Connecting Rod Spring Bracket
40047	17917	Thread (upper) Cutting Blade Connecting Rod Spring Collar with 646F
646F	17917	Thread (upper) Cutting Blade Connecting Rod Spring Collar Set Screw
219F	17918	Thread (upper) Cutting Blade Screw
249827	17918	" " " " Shaft
249828	17918	" " " " Crank with 906C
232105	17918	Thread (upper) Cutting Blade Shaft Crank Pin
906C	17918	Thread (upper) Cutting Blade Shaft Crank Set Screw
249873	17920	Thread (upper) Cutting Lock (lower section)
249874	17920	Thread (upper) Cutting Lock (upper section)
90C	17920	Thread (upper) Cutting Lock Hinge Screw
203E	17920	Thread (upper) Cutting Lock Screw
249875	17920	Thread (upper) Cutting Lock complete, Nos. 249873, 249874 and two 203E
249779	17917	Thread (upper) End Cutting Block with 175E (adjustable)
175E	17917	Thread (upper) End Cutting Block Set Screw
249780	17942	Thread (upper) End Cutting Lever
249781	17942	" " " " Bracket
690E	17942	" " " " Screw
50416C	17942	Thread (upper) End Cutting Lever Hinge Screw
249882	17942	Thread (upper) End Cutting Lever Link
201431C	17942	" " " " Hinge Screw (2)
249782	17919	Thread (upper) End Cutting Lever Operating Cam (adjustable) with 249784
249783	17919	Thread (upper) End Cutting Lever Operating Cam Position Collar with 450C and 453AL
450C	17919	Thread (upper) End Cutting Lever Operating Cam Position Collar Position Screw
453AL	17919	Thread (upper) End Cutting Lever Operating Cam Position Collar Set Screw
249784	17919	Thread (upper) End Cutting Lever Operating Cam Position Pin
249785	17919	Thread (upper) End Cutting Lever Operating Cam Spring
249786	17942	Thread (upper) End Cutting Lever Operating Lever

No.	Plate	Name
50416C	17942	Thread (upper) End Cutting Lever Operating Lever Hinge Screw
249787	17942	Thread (upper) End Cutting Lever Spring
219E	17942	Thread (upper) End Cutting Lever Spring Screw
7071	17942	Thread (upper) End Cutting Lever Spring Screw Washer
249692	18231	Thread (upper) Guide
228D	18231	" " " " Screw (2)
23669	18231	" Guide (side of arm) (lower)
1019C	18231	" " " " " Set Screw
39711	18231	Thread Guiding Stud (side of arm)
460AL	18231	" " " " " Set Screw
39712	18232	Thread Retainer Holder with 462AL
1664E	18232	" " " " Nut
12400	18232	" " Sleeve
39713	18232	" " Spring
12402	18232	" " Stud
462AL	18232	" " " " Set Screw
39714	18232	Thread Retainer complete, Nos. 1664E, 12400, 12402, 39712 and 39713
23523	17924	Thread Take-up Crank
1036AL	18220	" " " " Position Screw
1258AL	18220	" " " " Set Screw
23524	17924	" " Lever
12166	17924	" " " " Hinge Pin
23543	17924	" " " " Link
249915	17924	" - " " " Hinge Pin with 222598
222598	17924	Thread Take-up Lever Link Hinge Pin
435AL	17924	Oil Packing (wick)
4784	17924	Thread take-up Lever Link Hinge Pin Set Screw
23525	17924	Thread Take-up Lever Oil Pad
39652	18231	Thread Take-up Lever complete, Nos. 12166, 23524 and 23543
39950	18231	Thread Take-up Spring
446C	18231	" " " " Regulator with 350060C
		Thread Take-up Spring Regulator Set Screw

ACCESSORIES

No.	Plate	Name
249803	17926	Gauge, for setting length of button-hole, with 200137H and 249789
249789	17926	Gauge Chain and Ring
200137H	17926	" " " Screw
23445	17921	Knife, 3/8 inch
23447	17921	" 1/2 inch
23451	17921	" 3/4 inch
23500	17925	Shuttle Bobbin (5)
249879	17922	Stitch Regulating Gear, 24 teeth
249677	17922	" " " 20 teeth
249725	17922	" " " 36 teeth
40035	17916	Thread (lower) Cutting Blade
249719	17918	" (upper) Clamping Blade
249720	17918	" " Cutting Blade
71 x 1	-----	Needles, three each, sizes 14 and 16
23527	18234	Drip Pan with two wood screws 1/2 in., No. 5, R.H.B.
120346	17926	Oiler (copper-plated) with 120347
120347	17926	" Spout, 8-1/2 in. long
11831	17926	Screw Driver (5 in. blade) (machine, large)
26026	17926	Screw Driver (machine, small)
250522	17926	" " (for needle set screw)
249746	17926	" " for Needle Bar Connecting Stud Set Screw
255513	17926	Tweezers
255541	17926	Wrench
255540	17926	"
21654	17926	"
23535	17926	"
249820	17926	"

BOBBIN WINDER

No.	Plate	Name
249714	18236	Base with 27916 and two 28084
15072	18236	Bobbin Position Pin
27916	18236	Brake (leather)
28084	18236	" Rivet
249715	18236	Frame
50336D	18236	" Hinge Screw
1620J	18236	" " " Nut
249716	18236	" Spring
27918	18236	Pulley
*27849	-----	Spindle
27838	18236	" 27849 with 15072, 27850 and 41828
*27850	-----	Spindle Collar
41828	18236	" " Pin
249938	18236	Stop Latch
35D	18236	" " Hinge Screw
10249	18236	" " Spring
203E	18236	" " " Screw
7071	18236	" " " Washer
249896	18236	Tension Bracket with 452C
249897	18236	Tension Bracket complete, Nos. 1620J, 5989, 10145, 27922, 249693 and 249696
2455	18236	Tension Disc
1562J	18236	" Regulating Thumb Nut
418D	18236	" Screw Stud
10141	18236	" Spring
10145	18236	" Thread Guide
5989	18236	Tension complete, Nos. 418D, 1562J, 10141 and two 2455
27922	18236	Thread Eyelet Rod
452C	18236	" " " Set Screw
249693	18236	" Leader
1620J	18236	" " Lock Nut
249939	18236	Bobbin Winder complete, Nos. 35D, 203E, 1620J, 7071, 10249, 27538, 27918, 50336D, 249714 to 249716 and 249938

THREAD UNWINDER

FOR TWO SPOOLS

No.	Plate	Name
225257	17900	Spool Rest (for two spools) with 201018C
150203	17900	Spool Rest Cushion (felt)
225388	17900	" " Rod
200383C	17900	" " Set Screw
201018C	17900	" " Set Screw
259658	17900	" Stand with 200383C
225391	17900	Thread Guide
201696H	17900	" " Lock Nut
225326	17900	" " Position Cup
225324	17900	" " Rod with 208AL and 225322
208AL	17900	" " Screw
225322	17900	" " Washer
225258	17900	Thread Unwinder (For two spools) complete, Nos. 201696H, 225257, 225324, 225326, 225388, 259658, two each 150203, 225391 and three wood screws 7/8 in., No. 12

KNIFE GRINDER

39886	17904	Emery Wheel, 4 in. diameter
39887	17904	" " Driving Shaft
201510D	17904	" " " " Nut
204101	17904	" " " " Washer
39888	17904	" " " " Oil Hole Cover
350068E	17904	" " " " " " " " Screw
206963	17904	Emery Wheel Driving Shaft Pulley with two 200403C
200403C	17904	Emery Wheel Driving Shaft Pulley Set Screw
206969	17904	Emery Wheel Washer (paper)
39889	17904	Knife Grinder Frame
39890	17904	" Holder (adjustable)
57C	17904	" " Hinge Screw
39891	17904	" " Indicator
203094	17904	" " " " Position Pin
200165H	17904	" " " " Screw
39892	17904	" " Slide Bracket with 200386C
201298C	17904	" " " " Adjusting Screw
39893	17904	" " " " " " " " Slide Plate
200577XC	17904	Knife Holder Slide Bracket Adjusting Screw Slide Plate Screw
10249	17904	Knife Holder Slide Bracket Adjusting Screw Tension Spring
219F	17904	Knife Holder Slide Bracket Adjusting Screw Tension Spring Screw
200386C	17904	Knife Holder Slide Bracket Set Screw

No.	Plate	Name
39894	17904	Knife Holder Slide Bracket Shaft
206232	17904	" " " " " " Collar
		with 201052C
201052C	17904	Knife Holder Slide Bracket Shaft Collar Set Screw
771D	17904	Knife Holder Thumb Screw
9525	17904	" " " " Washer
39895	17904	" Holding Spring
39896	17904	" " " " Bracket
204264	17904	" " " " Position Pin
176D	17904	" " " " Screw
204264	17904	" " " " Position Pin
793D	17904	" " " " Thumb Screw
39897	17904	" Stop (adjustable)
208AL	17904	" " Screw
39898	17904	Knife Grinder complete, Nos. 57C, 176D, 208AL, 219F, 771D, 793D, 9525, 10249, 39886 to 39897, 200165H, 201298C, 201510D, 203094, 204101, 206963, 350068E two each 200577XC, 204264, 206232, 206969 and three wood screws, 1-1/4 in., No. 12

DRIVING EQUIPMENT

FOR MACHINES WHEN SET IN PAIRS

228320	17903	Bed Frame Cushion (felt)
228321	17903	Belt Idler Belt Guide with 361C
361C	17903	" " " " Set Screw
228423	17903	" " " " Pulley
228323	17903	" " " " Bracket with three 355C
355C	17903	" " " " Set Screw
126910	17903	" " " " Shaft
228324	17903	" " " " " " Hanger with two 355C and three wood screws 1 in., Nos. 12
355C	17903	Belt Idler Pulley Bracket Shaft Set Screw
228326	17903	Belt Idler Pulley Shaft with 858AL and 203100
203100	17903	Belt Idler Pulley Shaft Oil Packing (wick)
858AL	17903	Belt Idler Pulley Shaft Oil Stop Screw
355C	17903	" " " " Set Screw
228327	17903	" " " " Washer (rawhide)
228328	17903	Belt Idler complete, Nos. 126910, 228324, two each 228321 to 228323, 228326, four 228327 and Form All27
228330	17903	Clamp Lifting Chain, 46 in. long, with 39575 and 39576 (for right hand machine)
228329	17903	Clamp Lifting Chain, 34 in. long, with 39575 and 39576 (for left hand machine)
39571	17903	Clamp Lifting Chain Guide Pulley

DRIVING EQUIPMENT

No.	Plate	Name
236849	17903	Clamp Lifting Chain Guide Pulley Bracket
1064D	17903	Clamp Lifting Chain Guide Pulley Hinge Screw
236850	17903	Clamp Lifting Chain Guide Pulley Bracket complete, Nos. 1064D, 39571, 236849 and two wood screws 1-1/4 in., No. 12, R.H.B.
39575	17903	Clamp Lifting Chain Hook (large)
39576	17903	" " " " (small)
23551	17903	" " " " Screw Eye
228331	17903	Front Plank Extension with two wood screws 2-1/2 in. No. 14
39810	17903	Knee Starting Rock Shaft
228332	17903	" " " " Connecting Rod
6337	17903	" " " " " "
356C	17903	Bracket with two 356C Knee Starting Rock Shaft Connecting Rod Bracket Set Screw
356C	17903	Knee Starting Rock Shaft Connecting Rod Set Screw
228333	17903	Knee Starting Rock Shaft Connection Cushion Spring
39575	17903	Knee Starting Rock Shaft Connection Hook (large)
39576	17903	Knee Starting Rock Shaft Connection Hook (small)
228334	17903	Knee Starting Rock Shaft Connection Spring
228335	17903	Knee Starting Rock Shaft Connection complete, Nos. 39575, 39576, 228333 and 228334
21327	17903	Knee Starting Rock Shaft Hanger with two wood screws 1 in. No. 10
6335	17903	Knee Starting Rock Shaft Knee Arm
6336	17903	" " " " " " 6335 with 2766 and 2767
2766	17903	Knee Starting Rock Shaft Knee Arm Hub with 356C
356C	17903	Knee Starting Rock Shaft Knee Arm Hub Set Screw
1507R	17903	Knee Starting Rock Shaft Knee Arm Lock Nut
2767	17903	Knee Starting Rock Shaft Knee Plate with 356C
150668	17903	Knee Starting Rock Shaft Knee Plate Pad (rubber)
356C	17903	Knee Starting Rock Shaft Knee Plate Set Screw
228337	17903	Knee Starting Rock Shaft Position Spring
228338	17903	Knee Starting Rock Shaft Position Spring Adjusting Collar with 454C
454C	17903	Knee Starting Rock Shaft Position Spring Adjusting Collar Set Screw
2770	17903	Knee Starting Rock Shaft Stop Dog with 140219C

DRIVING EQUIPMENT

No.	Plate	Name
140219C	17903	Knee Starting Rock Shaft Stop Dog Set Screw
228339	17903	Knee Starting Rock Shaft complete, Nos. 1507R, 2770, 6336, 6337, 39810, 150668, 228332, 228335, 228337, 228338 and two 21327
250408	17903	Machine Rest (high) with 232982 and two wood screws 1 in. No. 12
232982	17903	Machine Rest Cushion (leather)
14372	17903	Treadle
14373	17903	" Extension
50581R	17903	" " Screw
2718R	17903	" " " Washer
17881	17903	" Shaft
14374	17903	" Spring
14375	17903	" Stand
14376	17903	Treadle complete, Nos. 2718R, 14372 to 14375, 17881, 50581R and two wood screws 1-1/4 in., No. 12, F.H.
228355	17903	Driving Equipment less shaft pulley complete, Nos. 228329 to 228331, 250408, two each 14376, 23551, 228328, 228339, 236850, eight 228320 and two blue prints

MISCELLANEOUS PARTS

FOR MAKING WHIP STITCH BUTTONHOLES

*62739	-----	Shuttle Bobbin Case
15141	17928	" " " Hinge Nos. 2973, 2974, and 15140
2973	17928	Shuttle Bobbin Case Latch Lever
23501	17928	" " " Position Finger
249533	17928	Shuttle Bobbin Case complete, Nos. 591F, 592E, 2523, 2975, 15141, 15276, 23501 and 62739
40028	17928	Shuttle Body
15278	17928	" Tension Spring
249750	17928	" 1-11/16 in. diam., Nos. 23500, 40028 and 249533
249682	17922	Stitch Regulating Gear, 30 teeth
249725	17922	" " " 36 teeth
249727	17922	" " " 40 teeth
249744	17922	" " " 45 teeth

USED IN CONJUNCTION WITH THREAD UNWINDER

60913	17900	Spool Weight with 60914
60914	17900	" " Center Pin
225377	17900	" Wire, for small spools
27739	17900	Thread Cone (wood)
225390	17900	" " Holder

NUMERICAL LIST OF PARTS

No.	Plate	Name
32C	17920	Thread (lower) Cutting Blade Carrier Lever Hinge Screw
35D	18236	Bobbin Winder Stop Latch Hinge Screw, for 249939
41C	17920	Clamp Lifting Arm Connection Hinge Screw
52C	17923	Clamp Carrier Connecting Rod Hinge Screw
54C	17921	Knife Bar Driving Lever (intermediate) Connecting Link Hinge Screw
57C	17904	Knife Grinder Knife Holder Hinge Screw, for 39398
59D	17942	Sewing Safety Lock Hinge Screw
61C	18229	Starting Lever Rod Hinge Screw
67D	17923	Clamp Carrier Slide Lever Regulator Screw
84E	18234	Bed Frame Cushion Screw, for 249993
90D	17942	Feed Hand Ratchet Lever Pawl Hinge Screw for 249914
90C	17921	Knife Bar Disengaging Lever Hinge Screw
90C	18232	Tension (top cover) Releasing Lever Hinge Screw
90C	17920	Thread (upper) Cutting Lock Hinge Screw
98C	17942	Stitch Regulating Gear Disengaging Slide Operating Screw
99C	17942	Stitch Regulating Gear Disengaging Slide Screw
106C	17916	Thread (lower) Pull-off Finger Guide Screw
123E	18229	Starting Lever Bracket Screw
124F	18229	" " Stop Screw
129E	17922	Needle Bar Frame Driving Gear (inter- mediate) Bracket Screw
144D	18234	Idler Pulley Shaft Screw, for 150496
144D	17921	Knife Bar Driving Lever (intermediate) Cap Screw
145F	17925	Shuttle Race Screw
157F	17920	Clamp Lifting Arm Connection Roller and Screw Stud Bracket Screw
157C	17921	Knife Holder Screw
158E	17942	Belt Shifter Shaft Bracket Extension Screw
158E	17942	Stitch Regulating Gear Disengaging Slide Bracket Screw
160H	17942	Feed Hand Ratchet Lever Extension Handle Screw, for 249914
161D	18236	Bobbin Winder Base Screw
161D	17919	Feed Driving Gear (intermediate) Pinion Shaft Eccentric Bushing Position Plate Screw

NUMERICAL LIST OF PARTS

No.	Plate	Name
164D	18229	Stop Cam Gear Guard Screw
175E	17919	Knife Bar Disengaging Lever Catch Tripping Point Screw, for 249869
175E	17917	Thread (upper) End Cutting Block Set Screw, for 249779
176D	17904	Knife Grinder Knife Holding Spring Bracket Screw, for 39898
184E	17923	Feed Wheel Tripping Lever Stop Screw
190D	18232	Arm Side Cover Screw
190D	18232	" Top Cover Screw
190D	18219	Face Plate Screw (upper)
190D	17923	Feed Wheel Tripping Lever Spring Screw
190C	17924	Needle Bar Frame Pitman Adjusting Screw for 23611
190D	18220	Oscillating Shaft Bushing (front) Oil Tube Plate Screw
191C	17921	Barring Point Screw
191D	17942	Belt Shifter Shaft Bracket Stop Screw
191C	17885	Clamp Arm Bracket Screw
191C	17921	Knife Screw
191C	18229	Starting Lever Spring Collar Set Screw for 39675
194C	17942	Clamp Lifting Arm Connection Lock Stop Plate Support Stud
196F	17885	Clamp Arm Hinge Block Pin Set Screw, for 39584
199D	17917	Clamp Lifting Arm Screw
200F	18231	Tension(side of arm)Releaser Set Screw for 23519
201F	18232	Tension(top cover)Releaser Set Screw, for 249686
203E	18236	Bobbin Winder Stop Latch Spring, Screw, for 249939
203C	17923	Feed Wheel Tripping Lever Point Screw
203E	17925	Shuttle Race Plate Screw, for 249929
203E	17920	Thread(upper)Cutting Lock Screw, for 249875
206F	17920	Thread(upper)Cutting Blade Connecting Rod Latch Lifting Lever Adjusting Plate Screw
207F	17885	Clamp Arm Bracket Guide (right) Screw
208AL	18232	Barring Shaft Guard Screw
208AL	17904	Knife Grinder Knife Stop Screw, for 39898
208AL	17900	Thread Unwinder Thread Guide Rod Screw for 225324
209AL	17921	Tension(top cover)Releaser Rod Collar Set Screw, for 40043
211E	18234	Bed Frame Hinge Connection Cap Screw, for 19398
212D	17917	Clamp Check Holder Hinge Cap Screw
217D	18219	Face Plate Screw (lower)
217E	17917	Thread(upper)Cutting Blade Connecting Rod Latch Block Plate Screw, for 40126
217F	18232	Tension(top cover)Thread Eyelet Screw
219F	17885	Clamp Arm Bracket Guide (left) Screw

NUMERICAL LIST OF PARTS

No.	Plate	Name
219F	17904	Knife Grinder Knife Holder Slide Bracket Adjusting Screw Tension Spring Screw, for 39898
219F	17918	Thread (upper) Cutting Blade Screw, for 249629, 249758 and 249810
219E	17942	Thread (upper) End Cutting Lever Spring Screw
220D	17923	Feed Wheel Tripping Point Screw, for 249802 and 249841
223D	17922	Barring Slide Operating Plate (adjust- able) Screw
223D	17923	Clamp Carrier Slide Lever Regulator Cap Screw
226J	18220	Oscillating Shaft Crank Slide Block Cap Screw, for 24050
228D	17922	Barring Slide Operating Plate (station- ary) Screw
228D	18231	Thread (upper) Guide Screw
228F	17916	" (lower) Cutting Blade Friction Plate Screw
229D	17920	Clamp Lifting Arm Connection Roller Cap Screw, for 1901
229D	17922	Intermittent Feed Wheel Driving Roller Cap Screw, for 351872
229D	17921	Knife Bar Driving Lever (intermediate) Roller Cap Screw, for 1959
233D	17917	Thread (upper) Cutting Blade Connect- ing Rod Latch Spring Screw
237F	17942	Belt Shifter Shaft Guide Collar Set Screw, for 249861
237F	17917	Clamp Check Holder Stop Screw
237F	17917	Thread (upper) Cutting Blade Connecting Rod Latch Block Set Screw, for 40124
240D	17923	Clamp Carrier Regulator Stud Stop Screw, for 249623
240D	17916	Thread (lower) Cutting Blade Screw
330R	18234	Idler Pulley Shaft Ball Bearing Cover Screw, for 150496
337B	17917	Clamp Check Holder Adjusting Screw
337B	17918	" " Clamping Section Screw, for 249629
355C	18235	Belt Idler Pulley Bracket Set Screw, for 228323
355C	18235	Belt Idler Pulley Bracket Shaft Set Screw, for 228324
355C	18235	Belt Idler Pulley Shaft Set Screw, for 228323
356C	17903	Knee Starting Rock Shaft Connecting Rod Bracket Set Screw, for 6337
356C	17903	Knee Starting Rock Shaft Connecting Rod Set Screw, for 6337
356C	17903	Knee Starting Rock Shaft Knee Arm Hub Set Screw, for 2766
356C	17903	Knee Starting Rock Shaft Knee Plate Set Screw, for 2767
361C	18235	Belt Idler Belt Guide Set Screw, for 228321

NUMERICAL LIST OF PARTS

No.	Plate	Name
399D	17925	Shuttle Bobbin Case Position Plate Screw, for 249929
402D	17885	Clamp Arm Screw
402D	17885	" Plate Support Screw
404D	17923	" Carrier Block Plate Screw, for 4004
404D	17885	" Plate Screw (front)
418D	18236	Bobbin Winder Tension Screw Stud, for 5989
435AL	18220	Arm Shaft Flanged Bushing (back) Set Screw
435AL	17920	Thread (lower) Cutting Blade Carrier Lever Stop Screw
435AL	17924	Thread Take-up Lever Link Hinge Pin Set Screw
446C	17924	Needle Bar Frame Regulator Hinge Stud Set Screw
446C	18231	Thread Take-up Spring Regulator Set Screw
448AL	17919	Feed Driving Gear Set Screw, for 249846
448AL	17919	Knife Bar Disengaging Lever Catch Tripping Point Collar Set Screw, for 249869
448AL	18220	Oscillating Rock Shaft Hinge Pin Set Screw
450C	17919	Thread (upper) End Cutting Lever Operating Cam Position Collar Position Screw, for 249783
452C	17922	Barring Slide Stop Screw (adjustable) Set Screw, for 249611
452C	18236	Bobbin Winder Thread Eyelet Rod Set Screw, for 249696
453AL	18220	Intermittent Feed Wheel Driving Bevel Pinion Set Screw, for 249645
453AL	17919	Thread (upper) End Cutting Lever Operating Cam Position Collar Set Screw, for 249783
454C	17903	Knee Starting Rock Shaft Position Spring Adjusting Collar Set Screw, for 228338
454C	18220	Pulley (tight) Set Screw for 249702
457E	17919	Feed Driving Gear (intermediate) Set Screw for 249965
457AL	18229	Stop Cam Spring Stop Screw Block Set Screw, for 249713
460AL	17919	Feed Hand Ratchet Wheel Set Screw, for 39924
460AL	18231	Thread Guiding Stud (side of arm) Set Screw
462AL	18220	Shuttle Driver Set Screw, for 23505
462AL	18232	Thread Retainer Stud Set Screw, for 39712
564C	18229	Starting Lever Screw Center, for 58384
591F	17925	Shuttle Tension Regulating Screw, for 249533 and 249921
592E	17925	Shuttle Bobbin Case Latch Stop Screw, for 249533 and 249921

NUMERICAL LIST OF PARTS

No.	Plate	Name
625F	17885	Clamp Arm Adjusting Screw
641C	17920	Tension (side of arm) Releaser Lever Set Screw, for 40051
646F	17923	Feed Wheel Tripping Lever Screw Stud
646F	17917	Thread (upper) Cutting Blade Connecting Rod Spring Collar Set Screw, for 40047
682D	17925	Shuttle Race Cap Screw, for 249929
675F	17924	Needle Bar Frame Screw Center
679C	18231	Tension (side of arm) Releaser Shaft Crank Ball Screw Stud
690D	17920	Clamp Lifting Arm Connection Lock Trip Lever Pinch Screw, for 249760
690E	17942	Thread (upper) End Cutting Lever Bracket Screw
704E	17922	Barring Slide Stop Attaching Screw
704C	17920	Clamp Lifting Arm Connection Screw, for 249866
717C	18229	Starting Lever Adjusting Screw
717C	17920	Tension (side of arm) Releaser Lever Stop Screw
748E	18219	Arm Screw (back)
756E	17919	Belt Shifter Trip Point Screw, for 249869
756D	17916	Clamp Carrier Guide (left) Screw (long) for 39605
768D	17942	Sewing Safety Lock Pitman Hinge Screw (front)
771D	17904	Knife Grinder Knife Holder Thumb Screw, for 39898
793D	17904	Knife Grinder Knife Holding Spring Thumb Screw, for 39898
794E	17924	Needle Bar Connecting Link Adjusting Screw, for 23476
805C	17921	Knife Bar Driving Lever Spring Screw
858AL	18235	Belt Idler Pulley Shaft Oil Stop Screw, for 228326
856AL	18220	Needle Bar Crank Set Screw, for 23477
868E	18219	Arm Screw (front)
871C	18229	Stop Cam Spring Stop Screw
896E	18220	Crank Connecting Rod Cap Screw, for 24028
898C	17922	Barring Slide Stop Screw (adjustable)
904F	17924	Needle Set Screw, for 39357
906C	17918	Thread (upper) Cutting Blade Shaft Crank Set Screw, for 249828
907E	17925	Shuttle Race Back Spring Screw, for 249929
908C	18220	Crank Connecting Rod Hinge Screw
913C	18229	Stop Cam Interlocking Rod Spring Regulating Thumb Screw
914F	17916	Clamp Carrier Slide Guide Screw
914F	17942	Sewing Safety Lock Pitman Screw, for 249949
934H	17916	Clamp Carrier Stay Plate Screw, for 249751
940F	17942	Clamp Lifting Arm Connection Lock Hinge Screw

NUMERICAL LIST OF PARTS

No.	Plate	Name
940F	18232	Tension (top cover) Releasing Lever Connection Screw (front)
966D	17920	Tension (side of arm) Releaser Lever Shaft Bracket Screw
974F	18232	Tension (top cover) Releasing Lever Connection Screw (back)
996E	17920	Thread (lower) Cutting Lever Extension Spring Screw Stud
999F	18232	Tension (top cover) Releaser Holder Hinge Screw
1019C	18231	Thread Guide (side of arm) (lower) Set Screw
1021E	17924	Needle Bar Connecting Link Cap Screw
1034F	18232	Intermittent Feed Wheel Driving Roller Oiling Felt Holder Screw
1035C	18220	Oscillating Shaft Crank Slide Block Screw Stud, for 24050
1036AL	18220	Thread Take-up Crank Position Screw, for 23477
1038C	17924	Needle Bar Frame Regulator Adjusting Screw
1042C	17924	Needle Bar Frame Pitman Hinge Screw
1043C	18231	Tension (side of arm) Screw Stud
1064D	18235	Clamp Lifting Chain Guide Pulley Hinge Screw, for 236850
1065AL	18220	Needle Bar Crank Position Screw, for 23477
1069D	18220	Arm Shaft Screw
1070C	18229	Stop Cam Interlocking Rod Guide Set Screw, for 249709
1149AL	17922	Needle Bar Frame Driving Gear (intermediate) Stud Set Screw, for 249669
1178C	17919	Feed Driving Gear (intermediate) Bracket Position Lever Clamping Screw
1230F	17916	Clamp Carrier Guide (right) Screw
1231F	17885	" " Plate Screw (back)
1232C	17923	" " Regulator Hinge Screw
1234C	17923	" " Slide Regulating Stud
1235F	18219	Bed Oil Guard Screw
1235F	17916	Clamp Plate Screw
1239D	17921	Knife Bar Connecting Link Hinge Cap Screw
1240C	17921	Knife Bar Connecting Link Hinge Screw
1241E	17921	" " Disengaging Lever Catch Spring Screw Stud
1241E	17920	Tension (side of arm) Releaser Lever Spring Screw Stud
1241E	17920	Thread (lower) Cutting Blade Carrier Lever Spring Screw Stud
1242E	17921	Knife Bar Disengaging Lever Screw Stud, for 249656
1242E	17921	Knife Bar Disengaging Lever Spring Screw for 249658
1243C	17924	Knife Holder Guide Stud
1253C	18220	Oscillating Shaft Crank Set Screw, for 39658

NUMERICAL LIST OF PARTS

No.	Plate	Name
1256D	17916	Clamp Carrier Slide Screw
1258AL	18220	Thread Take-up Crank Set Screw, for 23477
1294C	17885	Clamp Spring Bushing Position Stud
1296AL	17918	" Check Screw
1296AL	17918	" " Stop Screw
1319F	17921	Knife Bar Connecting Stud Clamping Screw, for 23462
1330C	17921	Barring Lever Spring Screw Stud
1341C	17924	Needle Bar Connecting Stud Set Screw, for 39601
1345D	17916	Clamp Carrier Guide (left) Screw (short) for 39605
1360C	17916	Thread (lower) Pull-off Finger Hinge Screw
1351C	17920	Thread (lower) Cutting Lever Ball Screw
1352C	17920	Tension (side of arm) Releaser Lever Lock Pin Screw Bushing
1387C	18232	Tension (top cover) Releaser Guide Screw Stud
1388C	18232	Tension (top cover) Screw Stud
1396E	17922	Intermittent Feed Wheel Driving Bevel Gear Bracket Screw
1428C	17921	Knife Bar Driving Lever Screw Stud
1449H	17942	Feed Hand Ratchet Lever Pawl Spring Screw, for 249914
1469C	18229	Tension (side of arm) Releaser Lever Stop Screw Stud
1478C	17921	Barring Lever Hinge Screw
1507R	17903	Knee Starting Rock Shaft Knee Arm Lock Nut for 228339
1508R	18229	Starting Lever Screw Center Nut, for 58384
1517J	17924	Needle Bar Frame Screw Center Nut
1518J	18229	Starting Lever Stop Screw Nut
1520J	17923	Clamp Carrier Regulator Roller and Screw Stud Nut, for 1960
1520J	17923	Clamp Carrier Slide Lever Roller and Screw Stud Nut, for 1960
1520J	17920	Clamp Lifting Arm Connection Hinge Screw Nut
1520J	17921	Knife Bar Driving Lever Screw Stud Nut
1520J	18229	Starting Lever Adjusting Screw Nut
1520J	17920	Tension (side of arm) Releaser Lever Stop Screw Nut
1520J	18231	Tension (side of arm) Releaser Shaft Crank Ball Screw Stud Nut
1520J	17920	Thread (lower) Cutting Blade Carrier Lever Stop Screw Nut
1520J	17920	Thread (lower) Cutting Lever Ball Screw Nut
1521E	18232	Tension (top cover) Releaser Guide Screw Stud Nut
1521E	17920	Thread (upper) Cutting Blade Connecting Rod Latch Lifting Arm Stud Nut
1521E	17920	Thread (lower) Cutting Lever Extension Hinge Screw Nut

NUMERICAL LIST OF PARTS

No.	Plate	Name
1547J	17885	Clamp Arm Adjusting Screw Nut
1547J	17921	Knife Bar Disengaging Lever Catch Hinge Screw Nut
1547J	17921	Knife Holder Screw Nut
1547J	17924	Needle Bar Frame Pitman Hinge Screw Nut
1550J	17865	Clamp Spring Bushing Position Stud Nut
1560C	18231	Tension (side of arm) Regulating Thumb Nut
1560C	18232	Tension (top cover) Regulating Thumb Nut
1562J	18236	Bobbin Winder Tension Regulating Thumb Nut, for 5989
1607E	17922	Barring Slide Operating Plate Adjusting Screw Nut
1608C	17924	Knife Holder Guide Stud Nut
1619E	18220	Crank Connecting Rod Hinge Screw Nut
1620J	18236	Bobbin Winder Frame Hinge Screw Nut, for 249939
1620J	18236	Bobbin Winder Thread Leader Lock Nut, for 249697
1620E	17923	Feed Wheel Tripping Lever Hinge Screw Nut
1636E	18220	Oscillating Shaft Crank Slide Block Screw Stud Nut, for 39658
1638E	18229	Stop Cam Interlocking Rod Spring Regulating Thumb Screw Nut
1651J	17924	Needle Bar Frame Connection Hinge Screw Lock Nut
1658C	17923	Clamp Carrier Slide Regulating Stud Thumb Nut
1659C	17885	Clamp Pressure Regulating Thumb Nut
1664E	18232	Tension (top cover) Screw Stud Nut
1664E	18232	Thread Retainer Holder Nut, for 39714
1671C	17923	Clamp Carrier Regulator Stud Nut
1698C	17924	Needle Bar Frame Regulator Adjusting Screw Nut
1901	17920	Clamp Lifting Arm Connection Roller and Screw Stud with 229D and 12424
1959	17921	Knife Bar Driving Lever (intermediate) Roller and Screw Stud with 229D and 12424, for 249950
1960	17923	Clamp Carrier Slide Lever Roller and Screw Stud with 1520J, for 249625
1960	17923	Clamp Carrier Regulator Roller and Screw Stud with 1520J, for 249625
1963	17921	Knife Bar Disengaging Lever Catch Roller and Stud, for 249657
2102	18231	Tension (side of arm) Disc
2103	18232	" (top cover) Spring
2117C	17920	" (side of arm) Releaser Lever Pin
2269	17942	Belt Shifter Shaft Guide Collar Position Pin
2269	18220	Shuttle Driver Pin
2269	18231	Tension (side of arm) Releaser Shaft Crank Pin
2273	17917	Thread (upper) Cutting Blade Connecting Rod Latch Block Position Pin

NUMERICAL LIST OF PARTS

No.	Plate	Name
2455	18236	Bobbin Winder Tension Disc, for 5989
2523	17925	Shuttle Bobbin Case Position Finger Rivet for 249533 and 249921
2532	17925	Shuttle Race Back Position Pin, for 249929
2533	17925	Shuttle Race Back Spring, for 249929
2718R	18235	Treadle Extension Screw Washer, for 14376
2766	17903	Knee Starting Rock Shaft Knee Arm Hub with 356C, for 6336
2767	17903	Knee Starting Rock Shaft Knee Plate with 356C, for 6336
2770	17903	Knee Starting Rock Shaft Stop Dog with 140219C, for 228339
2973	17928	Shuttle Bobbin Case Latch Lever, for 15141
2974	17925	Shuttle Bobbin Case Latch Lever Fulcrum Pin, for 15141 and 249929
2975	17925	Shuttle Bobbin Case Latch Spring, for 249533 and 249921
3012	17919	Feed Hand Ratchet Wheel Pin
4784	18220	Oscillating Rock Shaft Oil Pad, for 39654
4784	17924	Thread Take-up Lever Oil Pad, for 23478
5989	18236	Bobbin Winder Tension complete, Nos. 418D, 1562J, 10141 and two 2455, for 249697
6335	17903	Knee Starting Rock Shaft Knee Arm, for 6336
6336	17903	Knee Starting Rock Shaft Knee Arm 6335 with 2766 and 2767, for 228339
6337	17903	Knee Starting Rock Shaft Connecting Rod Bracket with two 356C, for 228339
7070	17924	Needle Bar Frame Regulator Adjusting Screw Sleeve
7071	18236	Bobbin Winder Stop Latch Spring Screw Washer, for 249939
7071	17924	Needle Bar Frame Pitman Adjusting Screw Washer, for 23611
7071	17917	Thread (upper) Cutting Blade Connecting Rod Latch Hinge Bracket Screw Washer
7071	17942	Thread (upper) End Cutting Lever Spring Screw Washer
7274	17923	Clamp Carrier Slide Lever Socket Joint
7326	17925	Shuttle Race Cap, for 249929
8236	18231	Tension (side of arm) Spring
8582	18219	Arm Dowel Pin
8582	18229	Starting Lever Bracket Dowel Pin
9525	17904	Knife Grinder Knife Holder Thumb Screw Washer, for 59898
10141	18236	Bobbin Winder Tension Spring, for 5989
10145	18236	" " " Thread Guide, for 249697
10249	18236	Bobbin Winder Stop Latch Spring, for 249939

NUMERICAL LIST OF PARTS

No.	Plate	Name	No.	Plate
10249	17904	Knife Grinder Knife Holder Slide	23392	17916
		Bracket Adjusting Screw Tension Spring, for 39898	23393	17916
			23395	17923
11831	17926	Screw Driver, 5 in. blade (machine, large)	23396	17923
12166	17924	Thread Take-up Lever Hinge Pin, for 2352	23397	17923
12400	18232	" Retainer Sleeve, for 39714		
12402	18232	" " Stud, for 39714	23404	17885
12424	17920	Clamp Lifting Arm Connection Roller Cap Screw Washer, for 1901	23421	18220
12424	17921	Knife Bar Driving Lever (intermediate) Roller Cap Screw Washer, for 1959	23435	17923
12424	18220	Oscillating Shaft Crank Slide Block Cap Screw Washer, for 24050	23445	17921
12538	17920	Tension (side of arm) Releaser Arm Pin	23446	17921
12546	17922	Intermittent Feed Wheel Position Pin, for 249946	23447	17921
12546	17922	Needle Vibrating Gear Position Pin, for 249946	23448	17921
14010	18234	Bed Frame Hinge Plate Rivet for 249993 Nos. 14372 to 14375, for 14376	23449	17921
14372	18235	Treadle	23450	17921
14373	18235	" Extension	23451	17921
14374	18235	" Spring	23452	17921
14375	18235	" Stand	23453	17921
14376	18235	Treadle complete, Nos. 2718R, 14372 to 14375, 17881, 50581R and two wood screws 1-1/4 in., Nos. 12, F.H., for 228354 and 228355	23454	17921
15072	18236	Bobbin Winder Bobbin Position Pin, for 27538	23455	17921
15098	17925	Shuttle Tension Spring, for 249921	23460	17921
15140	17925	Shuttle Bobbin Case Latch, for 15141 and 249919	23461	17921
15141	17928	Shuttle Bobbin Case Hinge, Nos. 2973, 2974 and 15140, for 249533	23462	17921
15278	17928	Shuttle Tension Spring, for 249533	23466	17919
16555	18234	Bed Frame Hinge Plate, for 249993	23471	17921
17881	18235	Treadle Shaft, for 14376	23476	17924
19226	18234	Bed Frame Hinge Connection, for 19398	23477	18220
19397	18234	" " " " Cap, for 19398	23478	17924
19398	18234	" " " " 19226 with 211E and 19397, for 249993	23494	18220
19448	18220	Oscillating Shaft Crank Slide Block, for 24050	23500	17925
21327	17903	Knee Starting Rock Shaft Hanger with two wood screws 1 in. No. 10, for 228339	23501	17925
21651	18229	Stop Cam Interlocking Rod Spring	23503	17925
21654	17926	Wrench	23505	18220
23379	17885	Clamp Arm Hinge Block	23511	18229
23380	17885	" " " " Pin	23519	18231
23384	17923	" Carrier Connecting Rod	23520	18231
23389	17922	Intermittent Feed Wheel Driving Roller Cap Screw Washer, for 351872	23523	17924
23390	17920	Clamp Lifting Arm Connection Screw Washer, for 249866	23524	17924
23390	17921	Knife Screw Washer	23525	17924

NUMERICAL LIST OF PARTS

No.	Plate	Name	No.	Plate
		Clamp Carrier Slide Guide (left)	23392	17916
		" " " " (right)	23393	17916
		" " " " Lever Regulator	23395	17923
		" " " " Cap	23396	17923
		" " " " Regulating Stud	23397	17923
		Bushing		
		Clamp Spring	23404	17885
		Oscillating Rock Shaft Hinge Pin Oil Hole Plug (leather), for 23494	23421	18220
		Feed Wheel Tripping Lever Spring	23435	17923
		Knife, 3/8 inch	23445	17921
		" 7/16 inch	23446	17921
		" 1/2 inch	23447	17921
		" 9/16 inch	23448	17921
		" 5/8 inch	23449	17921
		" 11/16 inch	23450	17921
		" 3/4 inch	23451	17921
		" 13/16 inch	23452	17921
		" 7/8 inch	23453	17921
		" 15/16 inch	23454	17921
		" 1 inch	23455	17921
		" Bar	23460	17921
		" " Connecting Link	23461	17921
		" " Stud with 1319F	23462	17921
		" " Disengaging Lever Catch Tripping Point, for 249869	23466	17919
		Knife Bar Driving Lever (intermediate) Connecting Link	23471	17921
		Needle Bar Connecting Link with 794E	23476	17924
		" " Crank with 858AL, 1036AL, 1065AL and 1258AL	23477	18220
		Needle Bar Frame with 4784	23478	17924
		Oscillating Rock Shaft Hinge Pin with 23421, for 39654	23494	18220
		Shuttle Bobbin, for 249750 and 249918	23500	17925
		" " Case Position Finger, for 249533 and 249921	23501	17925
		Shuttle Body, for 249918	23503	17925
		" Driver with 462AL	23505	18220
		Starting Lever Rod	23511	18229
		Tension (side of arm) Releaser with 200F	23519	18231
		" " " " Shaft	23520	18231
		Thread Take-up Crank	23523	17924
		" " Lever, for 23525	23524	17924
		Thread Take-up Lever complete Nos. 12166, 23524 and 23543	23525	17924
		Drip Pan with two wood screws 1/2 in., No. 5, R.H.B.	23527	18234
		Wrench	23535	17926
		Thread Take-up Lever Link, for 23525	23543	17924
		Clamp Lifting Chain Hook Screw Eye, for 228354 and 228355	23551	18235
		Belt Shifter Shaft Bracket Spring	23554	17920
		Clamp Plate Support	23573	17885
		" Post	23574	17885
		Thread (upper) Cutting Blade Connecting Rod Spring	23606	17917

NUMERICAL LIST OF PARTS

No.	Plate	Name	No.	Plate	Name
23609	17924	Needle Bar Frame Pitman(regulator end) for 23611	39533	17923	Clamp Carrier Regulator Stud Stop, for 249623
23610	17924	Needle Bar Frame Pitman (hinge screw end), for 23611	39534	17925	Clamp Arm Bracket with 196F
23611	17924	Needle Bar Frame Pitman (adjustable) complete, Nos. 23609, 23610, two each 190C and 7071	39591	17916	" Carrier Guide (left), for 39605
23624	18229	Starting Lever Spring	39601	17924	Needle Bar Connecting Stud with 1341C
23669	18231	Thread Guide (side of arm) (lower)	39605	17916	Clamp Carrier Slide with 1345D, 39591 and two 756D
23681	17921	Knife Bar Driving Lever Spring	39620	18232	Arm Side Cover
23693	17885	Clamp Spring Bushing	39633	18232	Tension (top cover) Releasing Lever
24028	18220	Crank Connecting Rod with 24085 and two 896E	39636	18232	" " " " Pin
24047	18220	Oscillating Shaft Bushing (front)	39638	18232	" " " Thread Eyelet(double)
24050	18220	Oscillating Shaft Crank Slide Block complete, Nos. 226J, 1035C, 12424 and 19448, for 39658	39645	17916	Clamp Carrier Guide (right)
*24081	-----	Arm Shaft Bushing (front), for 249601	39648	17916	Thread (lower) Cutting Blade Friction Plate
*24085	-----	Crank Connecting Rod Cap, for 24028	39647	17917	Clamp Arm
24106	18234	Bed Frame Cushion (felt), for 249993	39650	17918	" Check Holder (for use with 249810)
26026	17926	Screw Driver (machine, small)	39652	18231	Thread Take-up Spring
27538	18236	Bobbin Winder Spindle 27849 with 15072 27850 and 41828, for 249939	39653	18220	Oscillating Rock Shaft, for 39654
27739	17900	Thread Cone (wood)	39654	18220	Oscillating Rock Shaft complete, Nos. 4784, 23494 and 39653
*27849	-----	Bobbin Winder Spindle, for 27538	39655	18220	Oscillating Shaft
*27850	-----	" " " Collar, for 27538	39656	18220	" " Bushing (back)
27916	18236	" " Brake (leather), for 249714	39657	18220	" " Crank, for 39658
27918	18236	" " Pulley, for 249939	39651	18220	Oscillating Shaft Crank complete, Nos. 1636E, 24050, 39657 and two 1253C
27922	18236	" " Thread Eyelet Rod, for 249697	39675	18229	Starting Lever Spring Collar with two 191C
28084	18236	Bobbin Winder Brake Rivet, for 249714	39711	18231	Thread Guiding Stud (side of arm)
32012	18232	Tension (top cover) Disc	39712	18232	" Retainer Holder with 462AL, for 39714
32572	18232	" " " Releasing Disc	39713	18232	Thread Retainer Spring, for 39714
39504	17924	Needle Bar Frame Regulator Adjusting Screw Washer	39714	18232	Thread Retainer complete, Nos. 1664E, 12400, 12402, 39712 and 39713
39532	17923	Clamp Carrier Regulator Stud Sleeve	39715	17917	Clamp Check Holder Stop Screw Washer
39534	17921	Knife Holder	39724	17917	" Lifting Arm
39541	17885	Clamp Arm Bracket Screw Washer	39810	17933	Knee Starting Rock Shaft, for 228339
39541	17920	" Lifting Arm Connection Roller and Screw Stud Bracket Screw Washer	39857	17924	Needle Bar with 904F
39541	17942	Sewing Safety Lock Pitman Screw Washer for 249949	39861	17917	Thread(upper)Cutting Blade Connecting Rod Latch Hinge Bracket
39541	17920	Thread (upper) Cutting Blade Connecting Rod Latch Lifting Lever Screw Washer	39862	17917	Thread(upper)Cutting Blade Connecting Rod Latch Spring
39571	18235	Clamp Lifting Chain Guide Pulley, for 236850	39864	17917	Thread(upper)Cutting Blade Connecting Rod Latch Hinge Bracket Plate
39575	18235	Clamp Lifting Chain Hook (large), for 228329 and 228330	39882	17942	Belt Shifter Stop Washer (rawhide) Nos. 39886 to 39897, for 39893
39575	17903	Knee Starting Rock Shaft Connection Hook (large), for 228335	39890	17904	Knife Grinder Emery Wheel, 4 in. diam.
39575	18235	Starting Chain Hook (large), for 228349	39897	17904	" " " " Driving Shaft
39576	18235	Clamp Lifting Chain Hook (small), for 228329 and 228330	39898	17904	" " " " " " "
39576	17903	Knee Starting Rock Shaft Connection Hook (small), for 228335	39899	17904	Oil Hole Cover
39576	18235	Starting Chain Hook (small), for 228349	39890	17904	Knife Grinder Frame
			39891	17904	" " " Knife Holder (adjustable)
			39892	17904	" " " " Indicator
			39893	17904	" " " " Slide Bracket with 200386C
					Knife Grinder Knife Holder Slide Bracket Adjusting Screw Slide Plate

NUMERICAL LIST OF PARTS

No.	Plate	Name	No.	Plate	Name
39533	17923	Clamp Carrier Regulator Stud Stop, for 249623	39533	17923	Clamp Carrier Regulator Stud Stop, for 249623
39534	17925	Clamp Arm Bracket with 196F	39591	17916	" Carrier Guide (left), for 39605
39601	17924	Needle Bar Connecting Stud with 1341C	39605	17916	Clamp Carrier Slide with 1345D, 39591 and two 756D
39620	18232	Arm Side Cover	39633	18232	Tension (top cover) Releasing Lever
39633	18232	" " " " Pin	39636	18232	" " " Thread Eyelet(double)
39638	18232	" " " Thread Eyelet(double)	39645	17916	Clamp Carrier Guide (right)
39645	17916	Thread (lower) Cutting Blade Friction Plate	39648	17916	Thread (lower) Cutting Blade Friction Plate
39647	17917	Clamp Arm	39650	17918	" Check Holder (for use with 249810)
39650	17918	" Check Holder (for use with 249810)	39652	18231	Thread Take-up Spring
39652	18231	Thread Take-up Spring	39653	18220	Oscillating Rock Shaft, for 39654
39653	18220	Oscillating Rock Shaft, for 39654	39654	18220	Oscillating Rock Shaft complete, Nos. 4784, 23494 and 39653
39654	18220	Oscillating Rock Shaft complete, Nos. 4784, 23494 and 39653	39655	18220	Oscillating Shaft
39655	18220	Oscillating Shaft	39656	18220	" " Bushing (back)
39656	18220	" " Bushing (back)	39657	18220	" " Crank, for 39658
39657	18220	" " Crank, for 39658	39651	18220	Oscillating Shaft Crank complete, Nos. 1636E, 24050, 39657 and two 1253C
39651	18220	Oscillating Shaft Crank complete, Nos. 1636E, 24050, 39657 and two 1253C	39675	18229	Starting Lever Spring Collar with two 191C
39675	18229	Starting Lever Spring Collar with two 191C	39711	18231	Thread Guiding Stud (side of arm)
39711	18231	Thread Guiding Stud (side of arm)	39712	18232	" Retainer Holder with 462AL, for 39714
39712	18232	" Retainer Holder with 462AL, for 39714	39713	18232	Thread Retainer Spring, for 39714
39713	18232	Thread Retainer Spring, for 39714	39714	18232	Thread Retainer complete, Nos. 1664E, 12400, 12402, 39712 and 39713
39714	18232	Thread Retainer complete, Nos. 1664E, 12400, 12402, 39712 and 39713	39715	17917	Clamp Check Holder Stop Screw Washer
39715	17917	Clamp Check Holder Stop Screw Washer	39724	17917	" Lifting Arm
39724	17917	" Lifting Arm	39810	17933	Knee Starting Rock Shaft, for 228339
39810	17933	Knee Starting Rock Shaft, for 228339	39857	17924	Needle Bar with 904F
39857	17924	Needle Bar with 904F	39861	17917	Thread(upper)Cutting Blade Connecting Rod Latch Hinge Bracket
39861	17917	Thread(upper)Cutting Blade Connecting Rod Latch Hinge Bracket	39862	17917	Thread(upper)Cutting Blade Connecting Rod Latch Spring
39862	17917	Thread(upper)Cutting Blade Connecting Rod Latch Spring	39864	17917	Thread(upper)Cutting Blade Connecting Rod Latch Hinge Bracket Plate
39864	17917	Thread(upper)Cutting Blade Connecting Rod Latch Hinge Bracket Plate	39882	17942	Belt Shifter Stop Washer (rawhide) Nos. 39886 to 39897, for 39893
39882	17942	Belt Shifter Stop Washer (rawhide) Nos. 39886 to 39897, for 39893	39890	17904	Knife Grinder Emery Wheel, 4 in. diam.
39890	17904	Knife Grinder Emery Wheel, 4 in. diam.	39897	17904	" " " " Driving Shaft
39897	17904	" " " " Driving Shaft	39898	17904	" " " " " " "
39898	17904	" " " " " " "	39899	17904	Oil Hole Cover
39899	17904	Oil Hole Cover	39890	17904	Knife Grinder Frame
39890	17904	Knife Grinder Frame	39891	17904	" " " Knife Holder (adjustable)
39891	17904	" " " Knife Holder (adjustable)	39892	17904	" " " " Indicator
39892	17904	" " " " Indicator	39893	17904	" " " " Slide Bracket with 200386C
39893	17904	" " " " Slide Bracket with 200386C	39893	17904	Knife Grinder Knife Holder Slide Bracket Adjusting Screw Slide Plate

NUMERICAL LIST OF PARTS

No.	Plate	Name	No.	Plate	Name
39894	17904	Knife Grinder Knife Holder Slide Bracket Shaft	40124	17917	Thread(upper)Cutting Blade Connecting Rod Latch Block with 237F for 40126
39895	17904	Knife Grinder Knife Holding Spring	40125	17917	Thread(upper)Cutting Blade Connecting Rod Latch Block Plate (adjustable), for 40126
39896	17904	Bracket	40126	17917	Thread(upper)Cutting Blade Connecting Rod Latch Block complete, Nos. 217E, 40124 and 40125
39897	17904	Knife Grinder Knife Stop (adjustable)	40140	17919	Feed Wheel Shaft
39898	17904	Knife Grinder complete, Nos. 57C, 176D, 208AL, 219F, 771D, 793D, 9525, 10249, 39886 to 39897, 200165H, 201298C, 201510D, 203094, 204101, 206963, 350068E, two each 200577XC, 204264, 206232, 206969 and three wood screws 1-1/4 in., Nos. 12	40141	17919	" Driving Gear (intermediate) (large) for Stud
39912	18234	Splash Guard Hinge, for 249723	40142	17942	Feed Driving Gear (intermediate) Bracket Position Lever
39924	17919	Feed Hand Ratchet Wheel with 460AL	40144	17942	Stitch Regulating Gear Disengaging Slide
39950	18231	Thread Take-up Spring Regulator with 350060C	40145	17942	" " " " " "
39969	17925	Shuttle Race Back, for 249929	40146	17919	Bracket
39988	18229	Stop Cam Interlocking Rod Guide Washer (rawhide)	41328	18236	Stitch Regulating Gear Guard
40003	17885	Clamp Arm Bracket Guide (left)	50124E	17920	Bobbin Winder Spindle Collar Pin, for 27538
40004	17885	" " " " (right)	50135F	17918	Tension (side of arm) Releaser Arm Set Screw, for 40033
40006	17923	" Carrier Block with 40007 and four 404D	50356D	18236	Clamp Check Section and Cutting Plate Screw, for 249626 and 249755
40007	17923	Clamp Carrier Block Plate, for 40006	50416C	17923	Bobbin Winder Frame Hinge Screw, for 249939
40016	17920	" Lifting Arm Connection Roller and Screw Stud Bracket	50416C	17921	Knife Bar Disengaging Lever Catch Hinge Screw
40020	17885	Clamp Plate	50416C	17923	Stop Lever Hinge Screw
40025	17919	Feed Driving Gear Position Pin	50416C	17942	Thread (upper) End Cutting Lever Hinge Screw
40025	18220	Intermittent Feed Wheel Driving Bevel Pinion Position Pin	50416C	17942	Thread (upper) End Cutting Lever Operating Lever Hinge Screw
40025	18220	Pulley (tight) Pin	50531R	18235	Treadle Extension Screw, for 14378
40028	17928	Shuttle Body, for 249750	50615D	17921	Knife Bar Stop Retainer Plate Screw
40033	17920	Tension (side of arm) Releaser Arm with 50128E	51047E	17942	Belt Shifter Shaft Bracket Extension Pinch Screw, for 249858
40034	18231	Tension (side of arm) Releaser Shaft Crank	51364	18229	Starting Lever Screw Center 564C with 1508R
40035	17916	Thread (lower) Cutting Blade	50913	17900	Spool Weight with 60914
40036	17916	" " " " Carrier with 40038	50914	17900	" " Center Pin, for 60913
40037	17920	Thread (lower) Cutting Blade Carrier Lever	62739	----	Shuttle Bobbin Case, for 249533
40038	17916	" " " " " Stud, for 40036	120346	17926	Oiler (copper plated) with 120347
40043	17921	Tension (top cover) Releaser Rod Collar with 209AL	120347	17926	" Spout, 8-1/2 in., long, for 120346
40045	17917	Thread (upper) Cutting Blade Connecting Rod Latch Block Washer (rawhide)	126910	18235	Belt Idler Pulley Bracket Shaft, for 228328
40047	17917	Thread (upper) Cutting Blade Connecting Rod Spring Collar with 646F	140219C	17903	Knee Starting Rock Shaft Stop Dog Set Screw, for 2770
40051	17920	Tension (side of arm) Releaser Lever with 641C	150203	17900	Thread Unwinder Spool Rest Cushion (felt) for 225238
40052	17920	Tension (side of arm) Releaser Lever Lock Pin	150481	18234	Nos. 150481 to 150485, for 150496
40053	17920	Tension (side of arm) Releaser Lever Lock Pin Spring	150482	18234	Idler Pulley
40067	17920	Tension (side of arm) Releaser Lever Shaft Bracket	150483	18234	" " Shaft
40123	17917	Thread (upper) Cutting Blade Connecting Rod Latch	150484	18234	" " " Ball Bearing
			150485	18234	" " " " " Cover

NUMERICAL LIST OF PARTS

No.	Plate	Name	No.	Plate	Name
40124	17917	Thread(upper)Cutting Blade Connecting Rod Latch Block with 237F for 40126	40125	17917	Thread(upper)Cutting Blade Connecting Rod Latch Block Plate (adjustable), for 40126
40126	17917	Thread(upper)Cutting Blade Connecting Rod Latch Block complete, Nos. 217E, 40124 and 40125	40140	17919	Feed Wheel Shaft
40141	17919	" Driving Gear (intermediate) (large) for Stud	40142	17942	Feed Driving Gear (intermediate) Bracket Position Lever
40144	17942	Stitch Regulating Gear Disengaging Slide	40145	17942	" " " " " "
40146	17919	Bracket	40146	17919	Stitch Regulating Gear Guard
41328	18236	Bobbin Winder Spindle Collar Pin, for 27538	50124E	17920	Tension (side of arm) Releaser Arm Set Screw, for 40033
50124E	17920	Tension (side of arm) Releaser Arm Set Screw, for 40033	50135F	17918	Clamp Check Section and Cutting Plate Screw, for 249626 and 249755
50356D	18236	Bobbin Winder Frame Hinge Screw, for 249939	50416C	17921	Knife Bar Disengaging Lever Catch Hinge Screw
50416C	17923	Stop Lever Hinge Screw	50416C	17942	Thread (upper) End Cutting Lever Hinge Screw
50416C	17942	Thread (upper) End Cutting Lever Operating Lever Hinge Screw	50531R	18235	Treadle Extension Screw, for 14378
50615D	17921	Knife Bar Stop Retainer Plate Screw	51047E	17942	Belt Shifter Shaft Bracket Extension Pinch Screw, for 249858
51364	18229	Starting Lever Screw Center 564C with 1508R	50913	17900	Spool Weight with 60914
50914	17900	" " Center Pin, for 60913	62739	----	Shuttle Bobbin Case, for 249533
120346	17926	Oiler (copper plated) with 120347	120347	17926	" Spout, 8-1/2 in., long, for 120346
126910	18235	Belt Idler Pulley Bracket Shaft, for 228328	140219C	17903	Knee Starting Rock Shaft Stop Dog Set Screw, for 2770
150203	17900	Thread Unwinder Spool Rest Cushion (felt) for 225238	150481	18234	Nos. 150481 to 150485, for 150496
150481	18234	Idler Pulley	150482	18234	" " Shaft
150482	18234	" " " Ball Bearing	150483	18234	" " " " " Cover
150483	18234	" " " " " " "	150484	18234	" " " " " " "
150484	18234	" " " " " " "	150485	18234	" " " " " " "
150485	18234	" " " " " " "			Gasket (cork)

NUMERICAL LIST OF PARTS

No.	Plate	Name	No.	Plate
150496	18234	Idler Pulley and Shaft complete, Nos. 144D, 150481 to 150485 and four 330 for 249992	2017210	17922
150668	17903	Knee Starting Rock Shaft Knee Plate Pad (rubber), for 228339	201891	17922
200068H	17922	Needle Bar Frame Driving Gear Screw	202005	18229
200063D	18229	Stop Cam Spring Cover Screw	202160	18220
200137H	17926	Gauge Chain and Ring Screw, for 249803	202330	18229
200165H	17904	Knife Grinder Knife Holder Indicator Screw, for 39898	203094	17904
200363C	18234	Idler Pulley Bracket Set Screw for 249991	203100	18235
200383C	17900	Thread Unwinder Spool Rest Rod Set Screw, for 259658	204101	17904
200386C	17904	Knife Grinder Knife Holder Slide Bracket Set Screw, for 39892	204264	17904
200403C	17904	Knife Grinder Emery Wheel Driving Shaft Pulley Set Screw, for 206963	204264	17904
200502H	18220	Arm Shaft Bushing Oil Packing Thumb Screw	205634	17921
200522C	18229	Stop Cam Gear Stud Set Screw	206232	17904
200574E	18234	Splash Guard Hinge Screw, for 249723		
200577XC	17904	Knife Grinder Knife Holder Slide Bracket Adjusting Screw Slide Plate Screw, for 39898	206482	17919
200584D	18220	Pulley (loose) Grease Retaining Screw for 249890	206963	17904
201007C	18234	Idler Pulley Shaft Set Screw for 2499	222598	17924
201018C	17900	Thread Unwinder Spool Rest Set Screw, for 225257	222557	17900
201052C	17904	Knife Grinder Knife Holder Slide Bracket Shaft Collar Set Screw, for 2062	222532	17900
201289C	17917	Thread(upper)Cutting Blade Connecting Rod Latch Hinge Screw	222577	17900
201291B	17917	Thread(upper)Cutting Blade Connecting Rod Latch Hinge Bracket Plate Screw	222588	17900
201295E	17942	Clamp Lifting Arm Connection Lock Spring Screw Stud	222590	17900
201296D	17917	Thread(upper)Cutting Blade Connecting Rod Latch Hinge Bracket Screw	222591	17900
201298C	17904	Knife Grinder Knife Holder Slide Bracket Adjusting Screw, for 39898	222520	18235
201431C	17942	Thread(upper)End Cutting Lever Link Hinge Screw	222821	18235
201510E	17921	Knife Bar Driving Lever (intermediate) Hinge Screw Stud Nut	222823	18235
201510D	17904	Knife Grinder Emery Wheel Driving Shaft Nut, for 39898	222824	18235
201655J	18234	Splash Guard Locking Screw Wing Nut, for 249722		
201668E	17919	Feed Wheel Clamping Nut		
201696H	17900	Thread Unwinder Thread Guide Lock Nut for 225258		
201713C	17922	Barring Shaft Adjusting Lock Nut		
201715C	17922	Needle Bar Frame Driving Gear (intermediate) Clamping Nut		

NUMERICAL LIST OF PARTS

No.	Plate	Name
2017210	17922	Stitch Regulating Gear Guide and Lock Nut
201891	17922	Intermittent Feed Wheel Driving Roller for 351872
202005	18229	Starting Lever Spring Washer
202160	18220	Arm Shaft Bushing Oil Packing (wick)
202330	18229	Stop Cam Oil Packing (wick), for 249705
203094	17904	Knife Grinder Knife Holder Indicator Position Pin, for 39898
203100	18235	Belt Idler Pulley Shaft Oil Packing (wick), for 228326
204101	17904	Knife Grinder Emery Wheel Driving Shaft Nut Washer, for 39898
204264	17904	Knife Grinder Knife Holding Spring Bracket Position Pin, for 39898
204264	17904	Knife Grinder Knife Holding Spring Position Pin, for 39898
205634	17921	Knife Bar Driving Lever (intermediate) Hinge Screw Stud Washer
206232	17904	Knife Grinder Knife Holder Slide Bracket Shaft Collar with 201052C, for 39898
206482	17919	Barring Plate Screw Washer
206963	17904	Knife Grinder Emery Wheel Driving Shaft Pulley with two 200403C, for 39898
206969	17904	Knife Grinder Emery Wheel Washer (paper) for 39898
222598	17924	Thread Take-up Lever Link Hinge Pin Oil Packing (wick), for 249915
222557	17900	Thread Unwinder Spool Rest (for two spools) with 201018C, for 225258
222532	17900	Thread Unwinder (for two spools) complete, Nos. 201696H, 225257, 225324, 225326, 225388, 259658, two each 150203, 225391 and three wood screws 7/8 in., No. 12
2225322	17900	Thread Unwinder Thread Guide Rod Washer, for 225324
2225724	17900	Thread Unwinder Thread Guide Rod with 202AL and 225322, for 225258
2225326	17900	Thread Unwinder Thread Guide Position Cup, for 225258
2225377	17900	Spool Wire, for small spools,
2225388	17900	Thread Unwinder Spool Rest Rod, for 225258
2225390	17900	Thread Unwinder Thread Cone Holder
2225391	17900	" " " Guide, for 225258
222820	18235	Bed Frame Cushion (felt), for 228354 and 228355
222821	18235	Belt Idler Belt Guide with 361C, for 228328
222823	18235	Belt Idler Pulley Bracket with three 355C, for 228328
222824	18235	Belt Idler Pulley Bracket Shaft Hanger with two 355C and three wood screws 1 in., No. 12, for 228328

NUMERICAL LIST OF PARTS

No.	Plate	Name	No.
228326	18235	Belt Idler Pulley Shaft with 858AL and 203100, for 228328	232105
228327	18235	Belt Idler Pulley Washer (rawhide), for 228328	232131
		Nos. 228328 to 228331, for 228355	
228328	18235	Belt Idler complete, Nos. 126910, 228324, two each 228321, 228323, 228326, 228423, four 228327 and Form All127, also for 228354	232382
			232719
228329	17903	Clamp Lifting Chain, 34 in. long, with 39575 and 39576 (for left hand machine)	232982
			234344
228330	18235	Clamp Lifting Chain, 46 in. long, with 39575 and 39576, also for 228354	
228331	17903	Front Plank Extension with two wood screws 2-1/2 in. No. 14	235356
228332	17903	Knee Starting Rock Shaft Connecting Rod, for 228339	236849
228333	17903	Knee Starting Rock Shaft Connection Cushion Spring, for 228335	236850
228333	18235	Starting Chain Cushion Spring, for 228349	
228334	17903	Knee Starting Rock Shaft Connection Spring, for 228335	
228335	17903	Knee Starting Rock Shaft Connection complete, Nos. 39575, 39576, 228333 and 228334, for 228339	238089
228337	17903	Knee Starting Rock Shaft Position Spring for 228339	249533
228338	17903	Knee Starting Rock Shaft Position Spring Adjusting Collar with 4540, for 228339	249534
			249544
228339	17903	Knee Starting Rock Shaft complete, Nos. 1507R, 2770, 6336, 6337, 39810, 150668, 228332, 228335, 228337, 228338 and two 21327, for 228355	249545
			249546
228347	18235	Starting Chain (lower) 10-1/2 in. long for 228349	249601
			249602
228348	18235	Starting Chain (upper) 22 in. long, for 228349	249604
			249605
228349	18235	Starting Chain complete, Nos. 228333, 228347, 228348, two each 39575 and 39576, for 228354	249606
			249607
228354	18235	Driving Equipment less shaft pulley complete, Nos. 228328, 228330, 228349, 234344, 250408, two each 14376, 23551, four each 228320 and 236850	249610
			249611
228355	17903	Driving Equipment less shaft pulley complete, Nos. 228329 to 228331, 250408, two each 14376, 23551, 228328, 228339, 236850, eight 228320 and two blue prints	249612
			249613
			249614
			249615
			249616
			249619
			249620
			249622
			249623
228423	18235	Belt Idler Pulley, for 228328	
232065	17942	Clamp Lifting Arm Connection Lock Spring	249625

NUMERICAL LIST OF PARTS

No.	Plate	Name	No.
	17918	Thread (upper) Cutting Blade Shaft Crank Pin, for 249629, 249758 and 249810	17918
	17919	Feed Driving Gear (intermediate) Swing Bracket Screw Washer	17919
	17942	Feed Hand Ratchet Lever Pawl Spring Pin, for 249907	17942
	17919	Feed Driving Gear (intermediate) Position Pin	17919
	18235	Machine Rest Cushion (leather), for 250408	18235
	18235	Front Plank Extension (front) with two wood screws 2-1/4 in., No. 12 and three wood screws 1-3/4 in., No. 12, for 228354	18235
	17922	Needle Bar Frame Driving Gear (intermediate) Pin, for 249671	17922
	18235	Clamp Lifting Chain Guide Pulley Bracket for 236850	18235
	18235	Clamp Lifting Chain Guide Pulley Bracket complete, Nos. 1064D, 39571, 236849 and two wood screws, 1-1/4 in., No. 12, R.H.B. for 228354 and 228355	18235
	17921	Knife Bar Disengaging Lever Catch Bracket Position Pin, for 249658	17921
	17928	Shuttle Bobbin Case complete, Nos. 591F, 592E, 2523, 2975, 15141, 15278, 23501 and 62739, for 249750	17928
	17920	Thread (lower) Cutting Blade Carrier Lever Spring	17920
	17921	Knife Bar Stop	17921
	17921	" " " Retainer Plate	17921
	17925	Shuttle Bobbin Case Position Plate, for 249929	17925
	----	Arm with 24081	----
	18220	" Shaft	18220
	18232	" Top Cover (left)	18232
	18232	" " " (right)	18232
	17921	Barring Lever	17921
	17921	" " Spring	17921
	17921	" Point	17921
	17922	" Shaft with 4520	17922
	18232	" " Guard	18232
	17922	" Slide	17922
	17922	" " Operating Plate (stationary)	17922
	17921	" " " Rod	17921
	17922	" " " Stud	17922
	17922	" " Stop	17922
	----	Bed	----
	18220	Arm Shaft Flanged Bushing (back)	18220
	17923	Clamp Carrier Regulator with 240D, 1960 and 39583	17923
	17923	Clamp Carrier Slide Lever with 1960 Nos. 249626 to 249628, for 249629	17923

NUMERICAL LIST OF PARTS

No.	Plate	Name	No.	Plate
249626	17918	Clamp Check with 249630,350297E and two 50138F, for 3/8 to 3/4 in. buttonholes, also for 249810	249688	18232
249627	17918	Clamp Check Clamping Section (left)	249691	17920
249628	17918	" " " (right)	249692	18231
249629	17918	Clamp Check complete, for 3/8 to 3/4 in. buttonholes, Nos. 219F, 232105, 249626 to 249628, 249719, 249720, 249827, 249828, 249840, 350298D and four 337B	249693	18236
249630	17918	Clamp Check Section and Cutting Plate for 249626 and 249755	249696	18236
249631	18219	Face Plate	249697	18236
249640	17923	Feed Wheel Tripping Lever	249702	18220
249641	17923	" " Point, for 249802 and 249841	249703	18229
*249642	17922	Intermittent Feed Wheel with two 350249E, for 249946	249704	18229
*249644	17922	Intermittent Feed Wheel Driving Bevel Gear Bracket, for 249944	249705	18229
249645	18220	Intermittent Feed Wheel Driving Bevel Pinion with two 453AL	249706	18229
*249646	17922	Intermittent Feed Wheel Shaft, for 249946	249707	18229
249656	17921	Knife Bar Disengaging Lever with 124E	249708	18229
249657	17921	" " " " Catch with 1963	249709	18229
249658	17921	Knife Bar Disengaging Lever Catch Bracket with 1242E and 238089	249713	18229
249659	17921	Knife Bar Disengaging Lever Catch Spring	249714	18236
249660	17921	Knife Bar Disengaging Lever Spring	249715	18236
249661	17921	" " Driving Lever	249716	18236
249662	17921	" " " " (intermediate)	249718	17918
249666	17924	Needle Bar Frame Connection	249719	17918
249667	17922	" " " Driving Gear	249720	17918
249668	17924	" " " Regulator Hinge Stud	249722	18234
249669	17922	" " " Driving Gear (intermediate) Bracket with 1149AL	249723	18234
249670	17922	Needle Bar Frame Driving Gear (intermediate) Stud	249725	17922
249671	17922	Needle Bar Frame Driving Gear (intermediate) (large) with 235356	249727	17922
249672	17922	Needle Bar Frame Driving Gear (intermediate) (small)	249733	----
249673	17924	Needle Bar Frame Regulator	249737	17921
*249674	17922	" Vibrating Gear with two 350249, for 249946	249739	17922
249675	17922	Stitch Regulating Gear, 18 teeth	249740	17922
249677	17922	" " " 20 teeth	249741	18229
249679	17922	" " " 24 teeth	249742	18229
249682	17922	" " " 30 teeth	249744	17922
249685	18232	Tension (top cover) Releaser	249746	17926
249686	18232	" " " " Holder with 201F	249749	17917
249687	17921	Tension (top cover) Releaser Rod	249750	17928

NUMERICAL LIST OF PARTS

No.	Plate	Name	No.	Plate
18232		Tension (top cover) Releasing Lever Connection	249753	17885
17920		Thread (upper) Cutting Blade Connecting Rod Latch Lifting Arm	249755	17918
18231		Thread (upper) Guide		
18236		Bobbin Winder Thread Leader, for 249697		
18236		Bobbin Winder Tension Bracket with 4520 for 249697		
18236		Bobbin Winder Tension Bracket complete, Nos. 1620J, 5989, 10145, 27922, 249693 and 249696		
18220		Pulley (tight) with 4540		
18229		Starting Lever		
18229		" " Bracket		
18229		Stop Cam with two 202330		
18229		" " Gear		
18229		" " " Guard		
18229		" " " Stud		
18229		" " Interlocking Rod Guide with 1070C, for 249950		
18229		Stop Cam Spring Stop Screw Block with 457AL		
18236		Bobbin Winder Base with 27916 and two 28084, for 249939		
18236		Bobbin Winder Frame, for 249939		
18236		" " " Spring, for 249939		
17918		Thread (upper) Clamping Blade, for 249629, 249758 and 249810		
17918		Thread (upper) Cutting Blade, for 249629, 249758 and 249810		
18234		Splash Guard with 201655J, for 249723		
18234		Bed Frame and Splash Guard complete, Nos. 249722, 249993, two 39912 and eight 200574E		
17922		Stitch Regulating Gear, 36 teeth		
17922		" " " 40 teeth		
----		Clamp Carrier Stay Plate, for 249751		
17921		Knife Bar Spring		
17922		Stitch Regulating Gear Pin		
17922		Barring Slide Operating Plate (adjustable)		
18229		Stop Cam Interlocking Rod		
18229		" " Spring		
17922		Stitch Regulating Gear, 45 teeth		
17926		Screw Driver, for Needle Bar Connecting Stud Set Screw		
17917		Clamp Check Holder Adjusting Screw Friction Plate		
17928		Shuttle, 1-11/16 in. diam., Nos. 23500, 40028 and 249533, for whip stitch		
17916		Clamp Carrier with 249735 and two 934H for Wide Bar Buttonholes		
17885		Clamp Carrier Plate		
17918		" Check with 249630, 350297E and two 50138F, for 3/8 to 1 in. buttonholes, for 249758		

NUMERICAL LIST OF PARTS

No.	Plate	Name	No.	Plate
249756	17918	Clamp Check Holder (for use with 249758)	249842 249843	17927 17920
249758	17918	Clamp Check complete, for 3/8 to 1 in buttonholes, Nos. 219F, 232105, 24971249844 249720, 249755, 249827, 249828, 24984 and 350298D	249844	17919
249759	17920	Clamp Lifting Arm Connection (lower section), for 249866	249845 249846	17916 17919
249760	17920	Clamp Lifting Arm Connection Lock Lever with 690D	249849	17919
249762	17916	Needle Plate, for wide Bar Buttonhole	249853	17942
249779	17917	Thread (upper) End Cutting Block with 175E (adjustable)	249854	17942
249780	17942	Thread (upper) End Cutting Lever	249855	18229
249781	17942	" " " " " Bracket	249856	17942
249782	17919	" " " " " Opers	249857	17942
		ting Cam (adjustable) with 249782	249858	17942
249783	17919	Thread (upper) End Cutting Lever Operating Cam Position Collar with 45249860 and 453AL	249861	17942 17942
249784	17919	Thread (upper) End Cutting Lever Operating Cam Position Pin, for 249782	249862	17942
249785	17919	Thread (upper) End Cutting Lever Operating Cam Spring	249863	17919 17942
249786	17942	Thread (upper) End Cutting Lever Operating Lever	249865	17920
249787	17942	Thread (upper) End Cutting Lever Spring	249866	17920
249789	17926	Gauge Chain and Ring, for 249803	249867	17942
249800	17921	Tension (top cover) Releaser Rod Spring	249868	17923
249801	17919	Barring Plate (1st bar), for use with Feed Wheel 249802	249869	17919
249802	17923	Feed Wheel with 249641 and two 220D (120 stitches, 6 bar)	249871	17920
249803	17926	Gauge, for setting length of buttonhole, with 200137H and 249789	249873	17920
249804	17919	Barring Plate (2nd bar), for use with Feed Wheel 249802	249874	17920
249805	17942	Clamp Lifting Arm Connection Lock Plate	249875	17920
249810	17918	Clamp Check complete, for 3/8 to 3/4 buttonholes, for wide bar and width, Nos. 219F, 232105, 249826, 249720, 249827, 249828, 249840 and 350298D	249876 249879	17920 17917
249820	17926	Wrench	249880	17920
249826	17917	Thread (upper) Cutting Blade Connecting Rod	249882 249883	17942 18219
249827	17918	Thread (upper) Cutting Blade Shaft, for 249629, 249758 and 249810	249890	18220
249828	17918	Thread (upper) Cutting Blade Shaft with 906C, for 249629, 249758 and 249810	249891 249892 249893	18220 18220 18220
249831	17920	Thread (lower) Cutting Lever	249894	18219
249840	17918	Clamp Check Thread Clamping Pressure Spring, for 249629, 249758 and 249789	249894	18219
249841	17927	Feed Wheel with 249641 and two 220D (180 stitches, 6 bar)	249894	18219

NUMERICAL LIST OF PARTS

No.	Plate	Name	No.	Plate
		Barring Plate		17927
		Tension (side of arm) Releaser Lever Spring		17920
		Feed Driving Gear (intermediate) Pinion Shaft Eccentric Bushing Position Plate		17919
		Thread (lower) Pull-off Finger		17916
		Feed Driving Gear with two 448AL		17919
		" " " (intermediate) Pinion Shaft Eccentric Bushing		17919
		Belt Shifter with 350287C		17942
		" " Operating Collar with 350329C		17942
		Belt Shifter Operating Rod		18229
		" " Shaft		17942
		" " Bracket		17942
		" " " Extension with 51047E		17942
		Belt Shifter Shaft Bracket Stop		17942
		" " " Guide Collar with 237F		17942
		Belt Shifter Shaft Spring		17919
		" " Trip Point, for 249869		17942
		" " " Stud		17920
		Clamp Lifting Arm Connection (upper) section, for 249866		17920
		Clamp Lifting Arm Connection complete, Nos. 704C, 23390, 249759 and 249865		17942
		Clamp Lifting Arm Connection Lock		17923
		Feed Wheel Tripping Lever Point		17919
		Knife Bar Disengaging Lever Catch Tripping Point Collar with 175E, 756E, 23466, 249863 and two 448AL		17920
		Thread (lower) Cutting Lever Extension		17920
		" (upper) Cutting Lock (lower section), for 249875		17920
		Thread (upper) Cutting Lock (upper section), for 249875		17920
		Thread (upper) Cutting Lock complete, Nos. 249873, 249874 and two 203E		17920
		Thread (upper) Cutting Blade Connecting Rod Latch Lifting Arm Stud		17917
		Thread (upper) Cutting Blade Connecting Rod Spring Bracket		17920
		Tension (side of arm) Releaser Lever Shaft		17942
		Thread (upper) End Cutting Lever Link		18219
		Bed Oil Guard Oil Tube (brass), for 249894		18219
		Nos. 249890 to 249892, for 249893		18220
		Pulley (loose) with 200584D		18220
		" " Ball Bearing		18220
		" " Bushing		18220
		Pulley (loose, ball bearing) complete, Nos. 249890 to 249892		18219
		Bed Oil Guard with 249883		18219

NUMERICAL LIST OF PARTS

No.	Plate	Name
249895	18219	Clamp Carrier Regulator Slide Nos.249905 to 249907,for 249914
249905	17942	Feed Hand Ratchet Lever
249906	17942	" " " " Extension Handle
249907	17942	" " " " Pawl with 232382
249912	17922	Stitch Regulating Gear Spring
249914	17942	Feed Hand Ratchet Lever complete,Nos. 90D,160H,1449H,249905 to 249907 and 250058
249915	17924	Thread Take-up Lever Link Hinge Pin with 222598
249916	17920	Thread (lower) Cutting Lever Extension Spring
249918	17925	Shuttle,1-11/16 in.diam.Nos.23500, 23503 and 249921
249919	17925	Shuttle Bobbin Case Hinge,Nos.2974, 15140 and 249920,for 249921
249920	17925	Shuttle Bobbin Case Latch Lever,for 249919
249921	17925	Shuttle Bobbin Case complete,Nos.591F, 592E,2523,2975,15098,23501 and 249919,for 249918
249922	17923	Stop Lever
249923	17942	Stitch Regulating Gear Disengaging Lever
249924	17925	Shuttle Race,for 249929 Nos.249926 to 249928,for 249929
249926	17925	Shuttle Race Plate
249927	17925	" " Position Pin
249928	17925	" " Oil Packing (felt)
249929	17925	Shuttle Race complete,Nos.907E,2533, 7326,39969,249546,249924,249926, two each 399D,662D,2532,249927, 249928 and three 203E
249930	17920	Thread(upper)Cutting Blade Connecting Rod Latch Lifting Lever
249931	18220	Oscillating Shaft Bushing (front) Oil Tube(brass)
249932	18220	Oscillating Shaft Bushing (front) Oil Tube Support Plate
249933	18220	Crank Connecting Rod Hinge Screw Oil Tube (brass)
249934	18232	Intermittent Feed Wheel Driving Roller Oiling Felt
249935	18232	Intermittent Feed Wheel Driving Roller Oiling Felt Holder
*249936	17922	Intermittent Feed Wheel Driving Bevel Gear with two 351872,for 249944
249937	17922	Intermittent Feed Wheel Driving Roller Stud,for 351872
249938	18236	Bobbin Winder Stop Latch,for 249939
249939	18236	Bobbin Winder complete,Nos.35D,203E, 1620J,7071,10249,27538,27918,50356 249714 to 249716 and 249938
249943	18229	Stop Cam Spring Cover

NUMERICAL LIST OF PARTS

No.	Plate	Name
249944	17922	Intermittent Feed Wheel Driving Bevel Gear Bracket 249644 with 249936 and 3502300
249944	17922	Intermittent Feed Wheel Shaft 249646 with 249642,249674 and two 12546
249947	17942	Sewing Safety Lock Pitman (front sec- tion),for 249949
249948	17942	Sewing Safety Lock Pitman (rear sec- tion),for 249949
249949	17942	Sewing Safety Lock Pitman complete,Nos. 249947,249948,two each 914F and 39541
249950	-----	Stop Cam Interlocking Rod Guide 249709 with 1959
249965	17919	Feed Driving Gear(intermediate)with two 457E
249967	17919	Feed Driving Gear(intermediate)(small) for Stud
249968	17919	Feed Driving Gear(intermediate)for swing bracket
249969	17919	Feed Driving Gear(intermediate)Bracket
249970	17919	" " " " Pinion Shaft
249971	17919	" " " " Stud
249972	17919	" " " " Swing Bracket
249989	17920	Thread (upper) Cutting Blade Connect- ing Rod Latch Lifting Arm Spring
249990	17920	Thread (upper) Cutting Blade Connect- ing Rod Latch Lifting Lever Adjust- ing Plate
249991	18234	Idler Pulley Bracket with 200363C, 201007C and 350453C for 249992
249992	18234	Idler Pulley Bracket complete,Nos. 150496 and 249991
249993	18234	Bed Frame with two each 16555,19398, four each 84E,24106,six 14010 and four wood screws 1-1/4 in.,No.12, for 249723
249995	17919	Feed Driving Gear(intermediate)Pinion Shaft Collar with two 350462C
250058	17942	Feed Hand Ratchet Lever Pawl Spring, for 249914
250397	17922	Needle Bar Frame Driving Gear (inter- mediate) Bracket Position Pin
250408	18235	Machine Rest (high) with 232982 and two wood screws 1 in.,No.12,for 228354 and 228355
250444	17923	Feed Wheel Tripping Lever Screw Stud Washer
250451	18220	Oscillating Shaft Bushing (front) Oil Tube Plate
250491	17920	Thread (upper) Cutting Blade Connect- ing Rod Latch Lifting Lever Ad- justing Plate Screw Washer
250522	17926	Screw Driver (for needle set screw)
255513	17926	Tweezers
255540	17926	Wrench

NUMERICAL LIST OF PARTS

No.	Plate	Name
255541	17926	Wrench
259658	17900	Thread Unwinder Spool Stand with 200383C for 225258
262014	17942	Sewing Safety Lock
350060C	18231	Tension (side of arm) Screw Stud Set Screw, for 39950
350068E	17904	Knife Grinder Emery Wheel Driving Shaft Oil Hole Cover Screw, for 39898
350076C	17923	Clamp Carrier Regulator Stud (to regu- late length of buttonhole)
350229E	17919	Barring Plate Screw
350230C	17922	Intermittent Feed Wheel Driving Bevel Gear Cap Screw, for 249944
350234D	17916	Needle Plate Screw, for Wide Bar Buttonholes
350235D	17942	Sewing Safety Lock Pitman Hinge Screw (back)
350237C	17923	Feed Wheel Tripping Lever Hinge Screw
350243C	17921	Knife Bar Driving Lever (intermediate) Hinge Screw Stud
350246C	17920	Thread (lower) Cutting Lever Exten- sion Hinge Screw
350249E	17922	Intermediate Feed Wheel Position Screw, for 249642
350249E	17922	Needle Vibrating Gear Position Screw, for 249674
350251C	17924	Needle Bar Frame Connection Hinge Screw
350253C	17922	Barring Slide Operating Plate Adjust- ing Screw
350254F	17924	Needle Bar Frame Connection Cap Screw
350265C	17917	Thread (upper) Cutting Blade Connect- ing Rod Hinge Screw
350281C	17921	Knife Bar Driving Lever Hinge Screw
350287C	18229	Belt Shifter Operating Rod Set Screw
350287C	17942	" " Set Screw, for 249853
350287C	17920	Thread (upper) Cutting Blade Connect- ing Rod Latch Lifting Lever Screw
350288C	17942	Belt Shifter Shaft Bracket Hinge Screw
350297E	17918	Clamp Check Section and Cutting Plate Support Stud, for 249628 and 249755
350298D	17918	Clamp Check Thread Clamping Pressure Spring Screw, for 249629, 249758 and 249810
350310D	17919	Feed Driving Gear (intermediate) Swin- Bracket Screw
350329C	17942	Belt Shifter Operating Collar Set Screw, for 249854
350337C	17942	Stitch Regulating Gear Disengaging Lever Hinge Screw
350338E	17920	Belt Shifter Shaft Bracket Spring Screw Stud (lower)
350339E	17942	Belt Shifter Shaft Bracket Spring Screw Stud (upper)

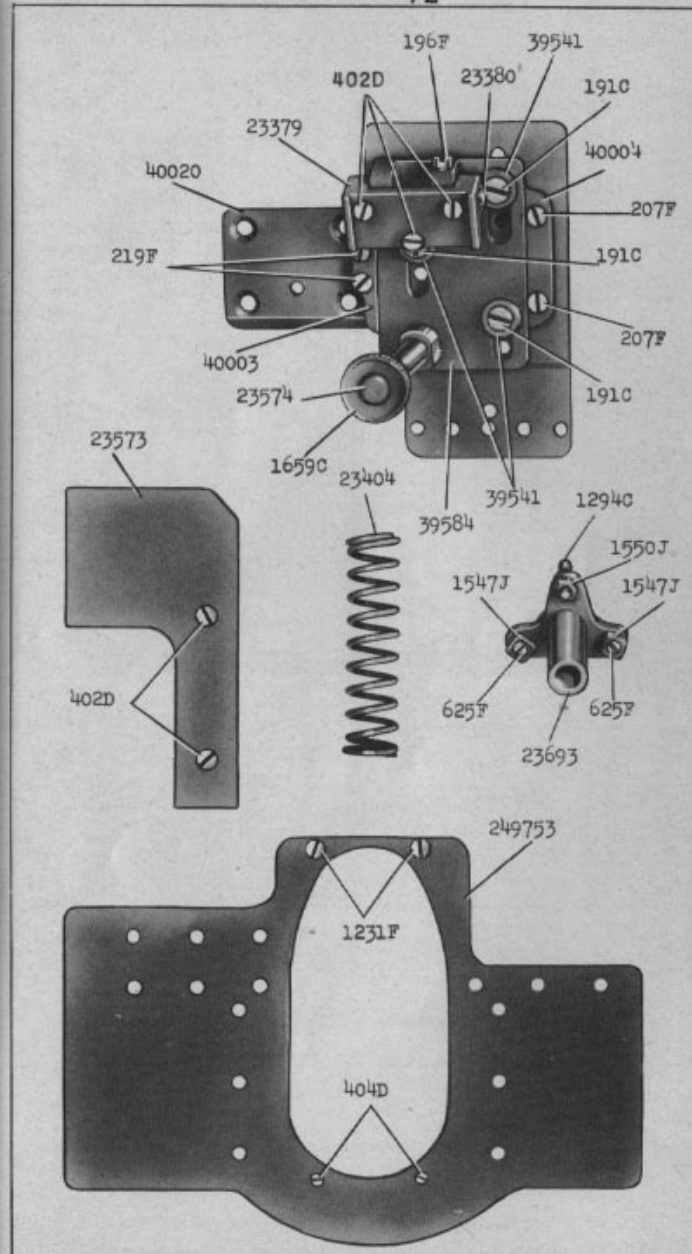
NUMERICAL LIST OF PARTS

No.	Plate	Name
350453C	18234	Idler Pulley Bracket Position Screw, for 249991
350462E	17919	Feed Driving Gear (intermediate) Pinion Shaft Collar Set Screw, for 249995
351672	17922	Intermittent Feed Wheel Driving Roller 201891 with 229D, 23389 and 249937, for 249936

SINGER Needles should be used
in SINGER Machines.
These Needles and their Containers
are marked with the
Company's Trade Mark "SIMANCO.***" 1

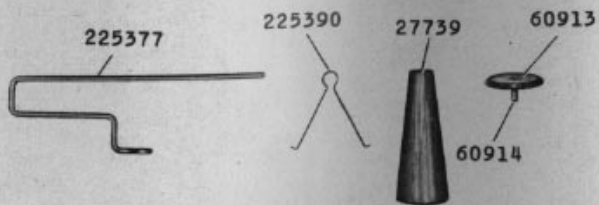
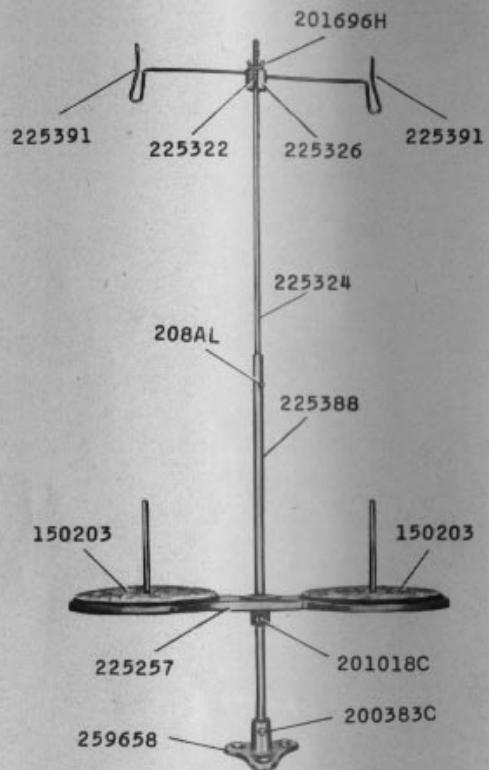
Needles in Containers marked
"FOR SINGER MACHINES"
are NOT SINGER made needles. 2

17885 - 1/2



17900 - 1/6

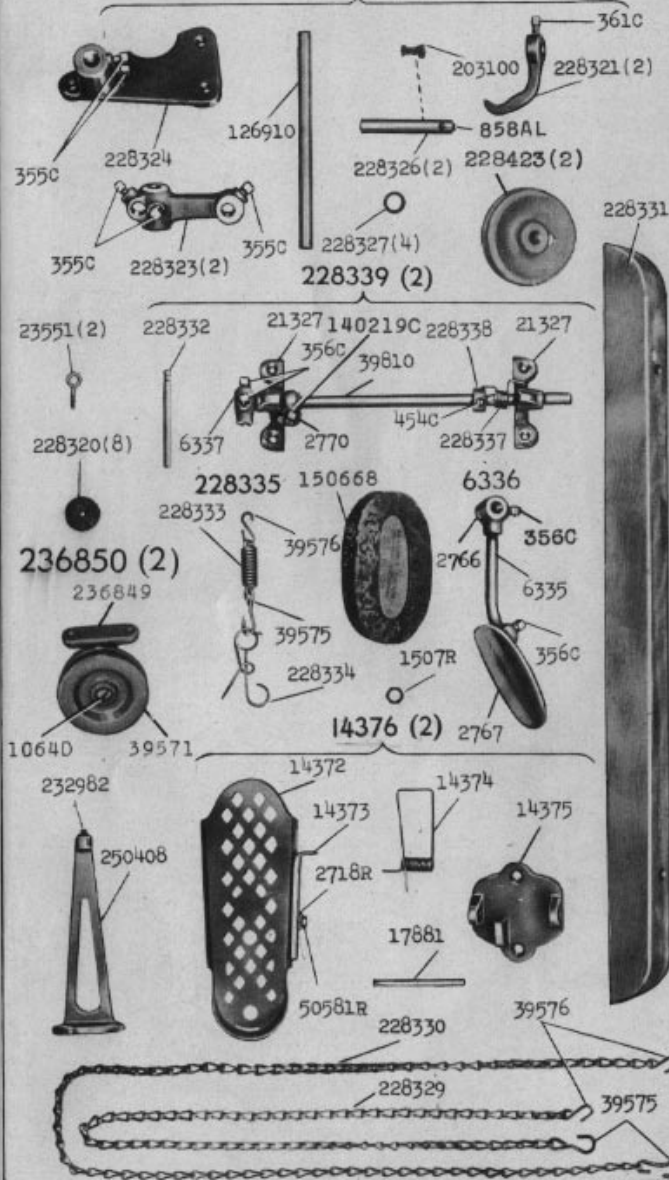
225258



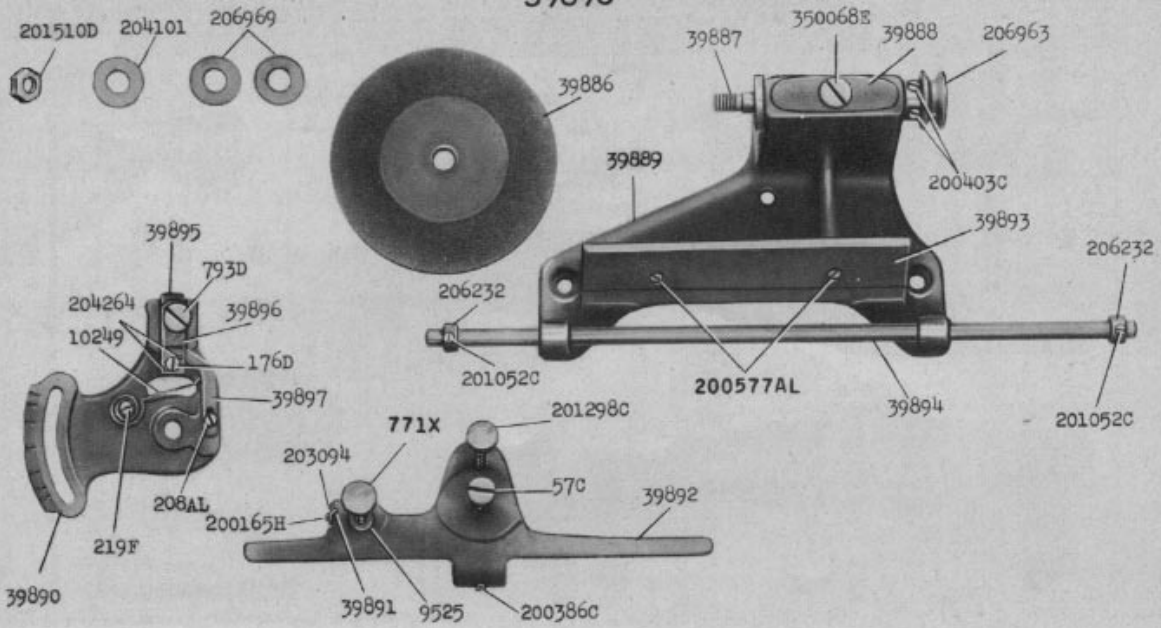
17903 - 1/6

228355

228328 (2)

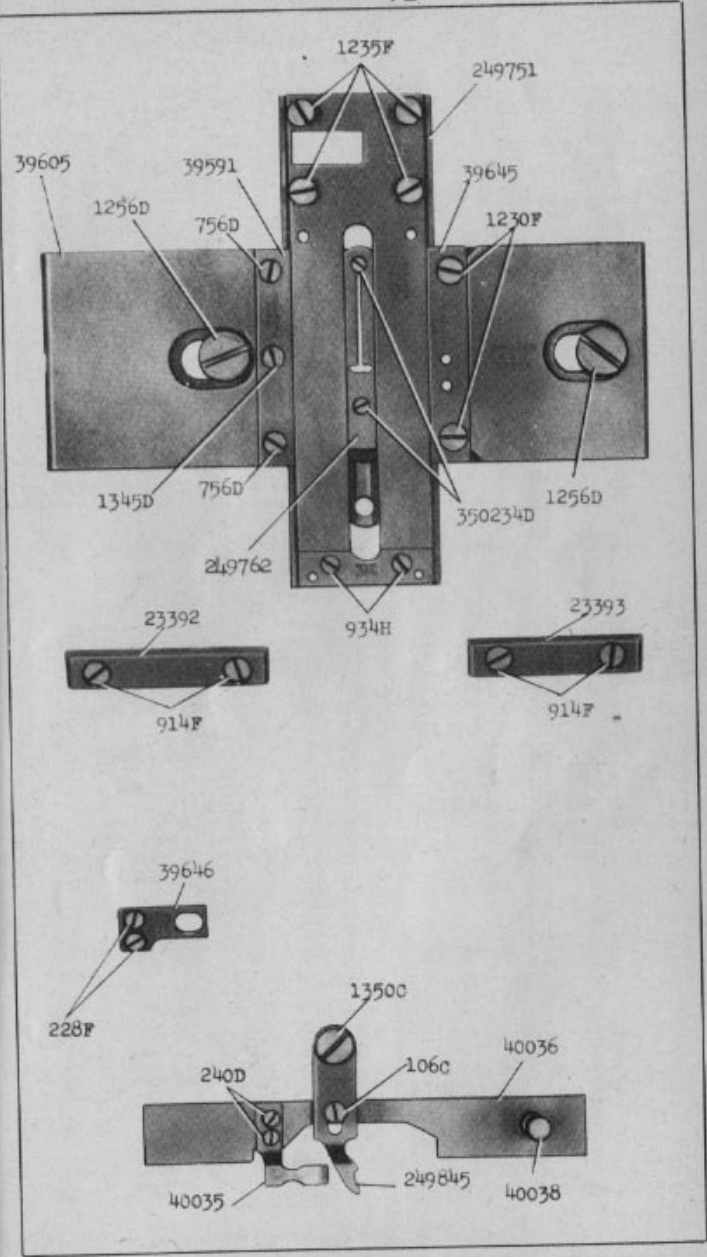


39898

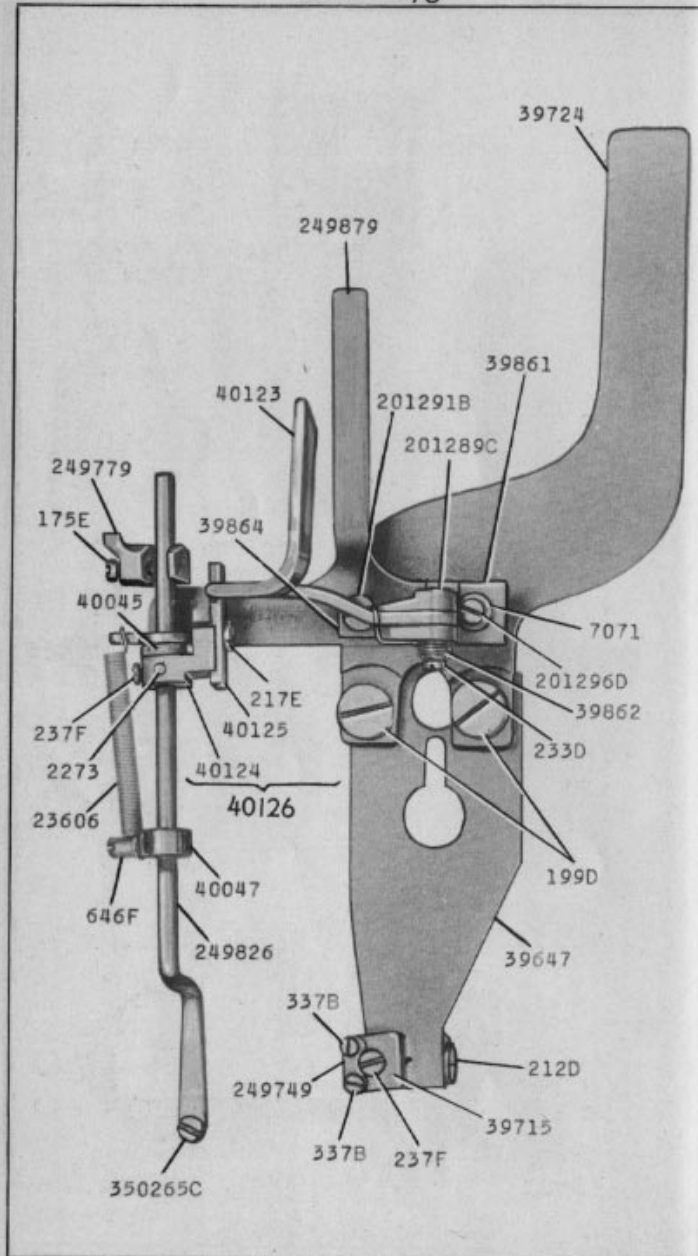


17904 - 1/3

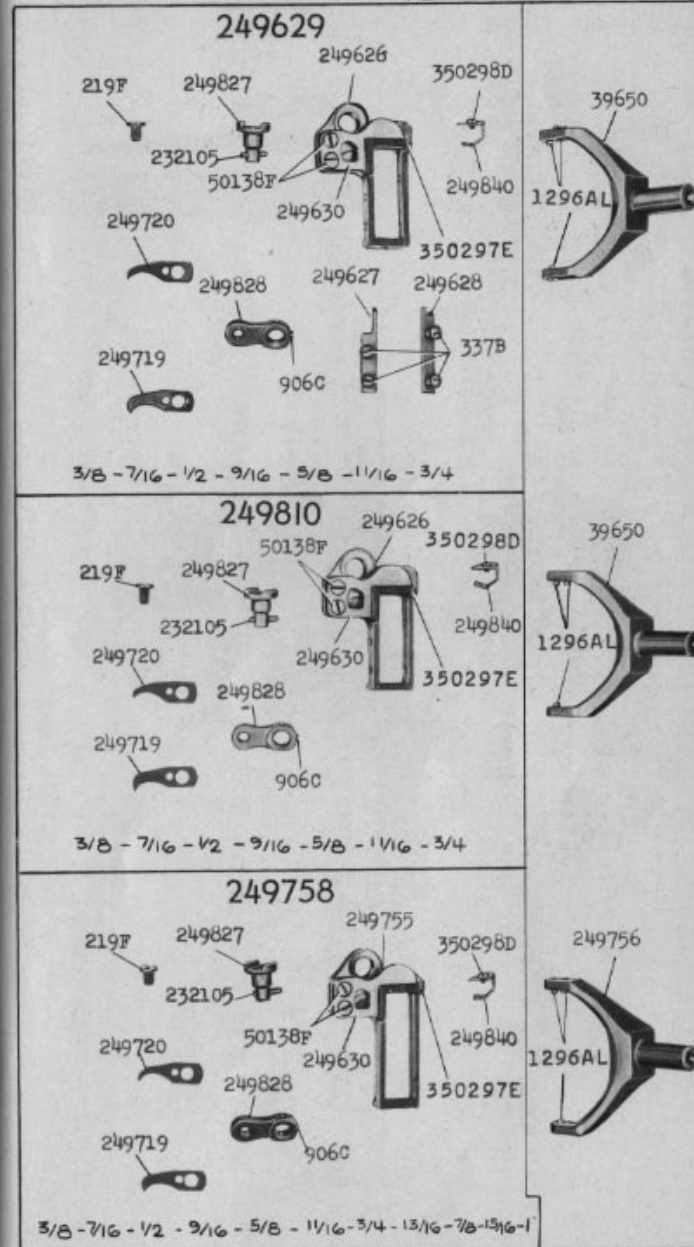
17916 - 1/2



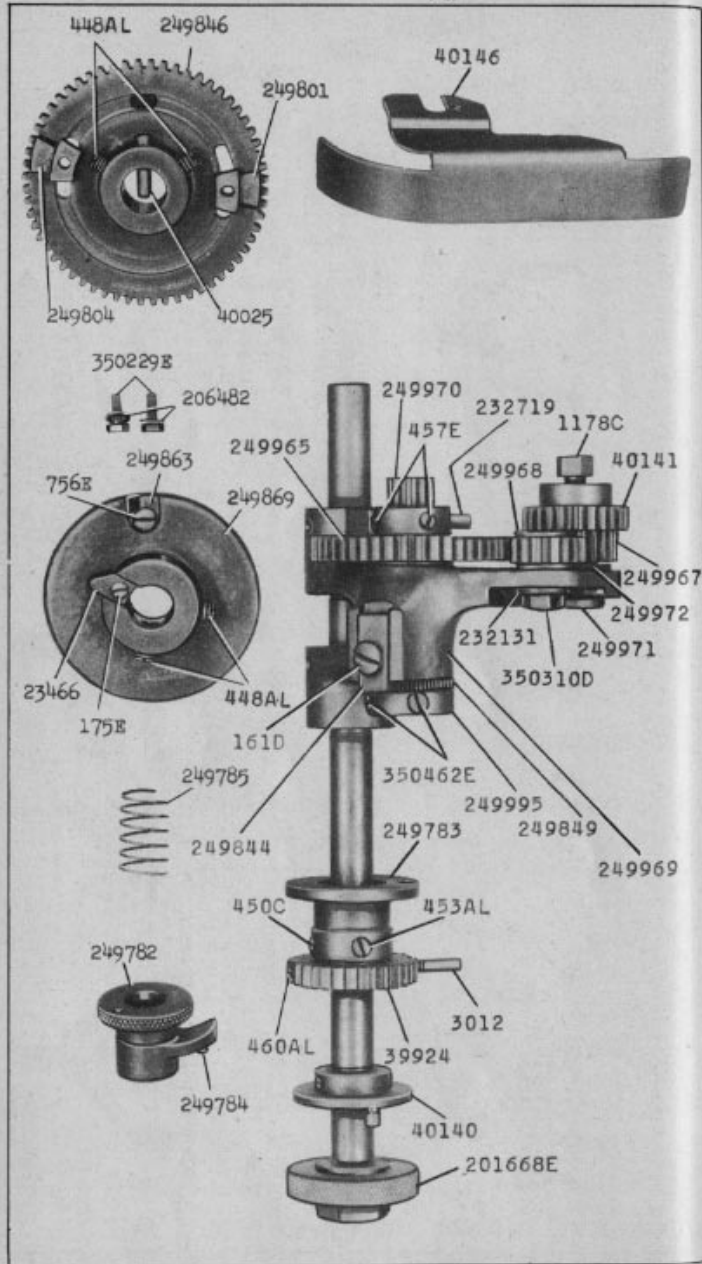
17917 - 5/8

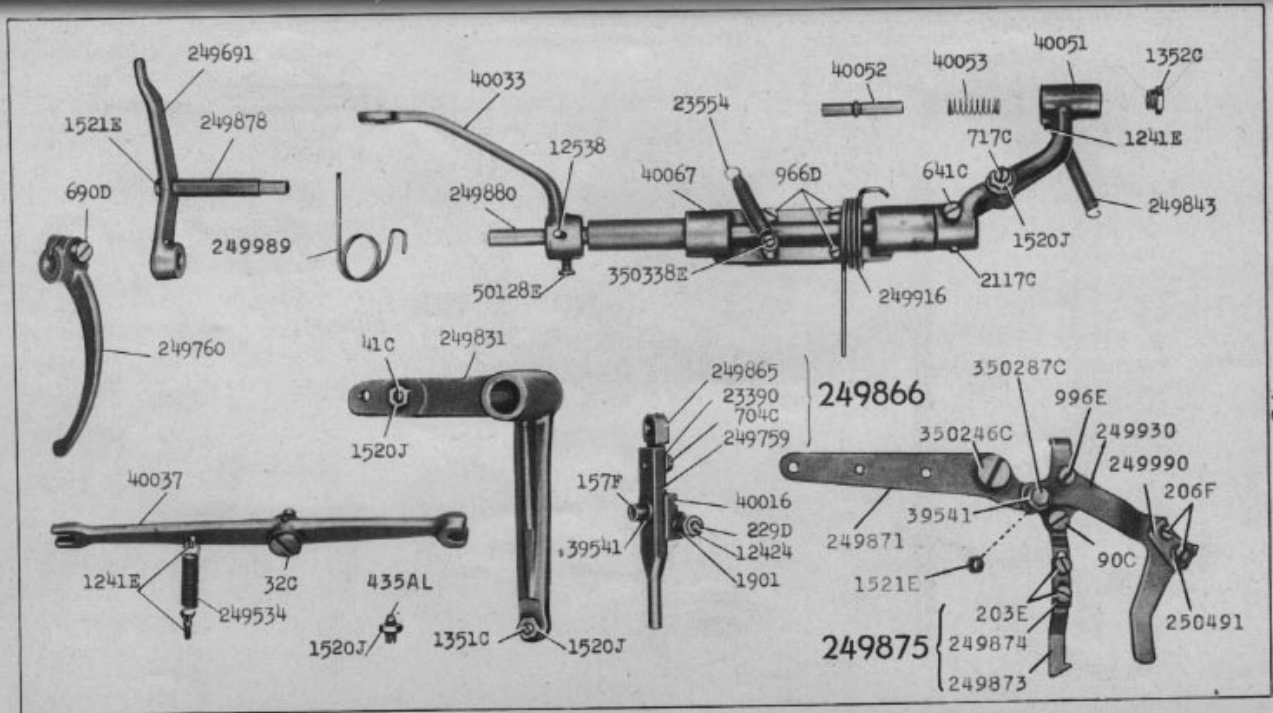


17918 - 1/2

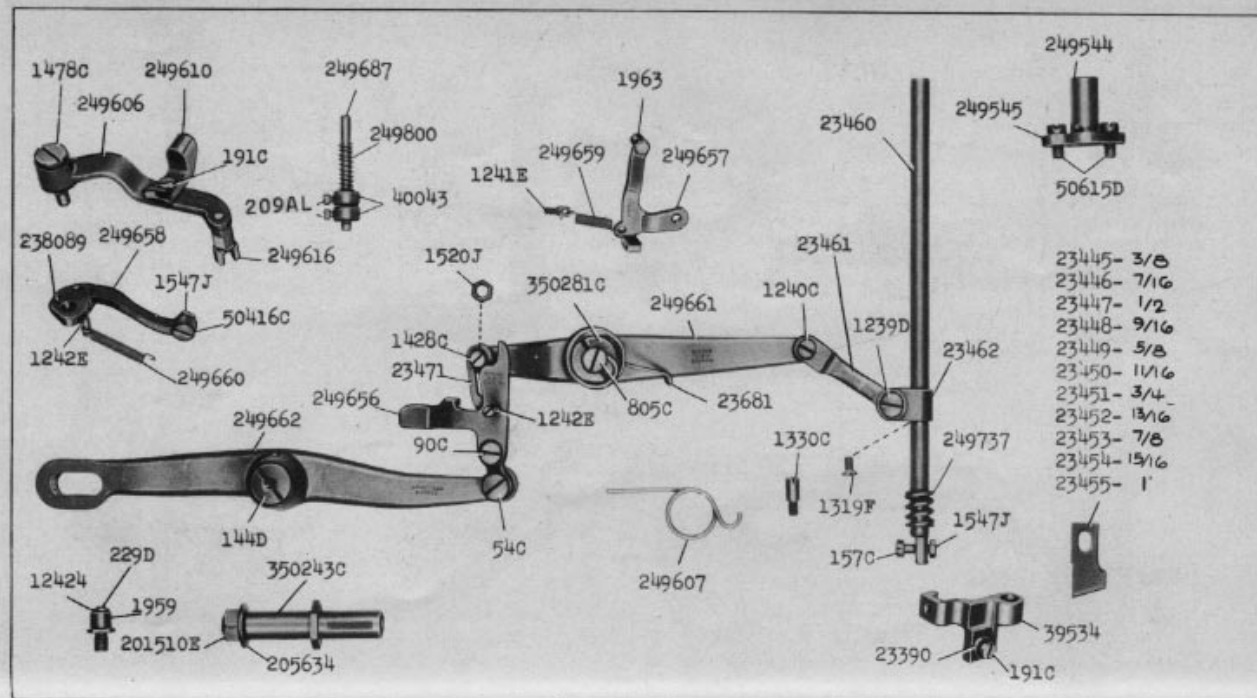


17919 - 1/2

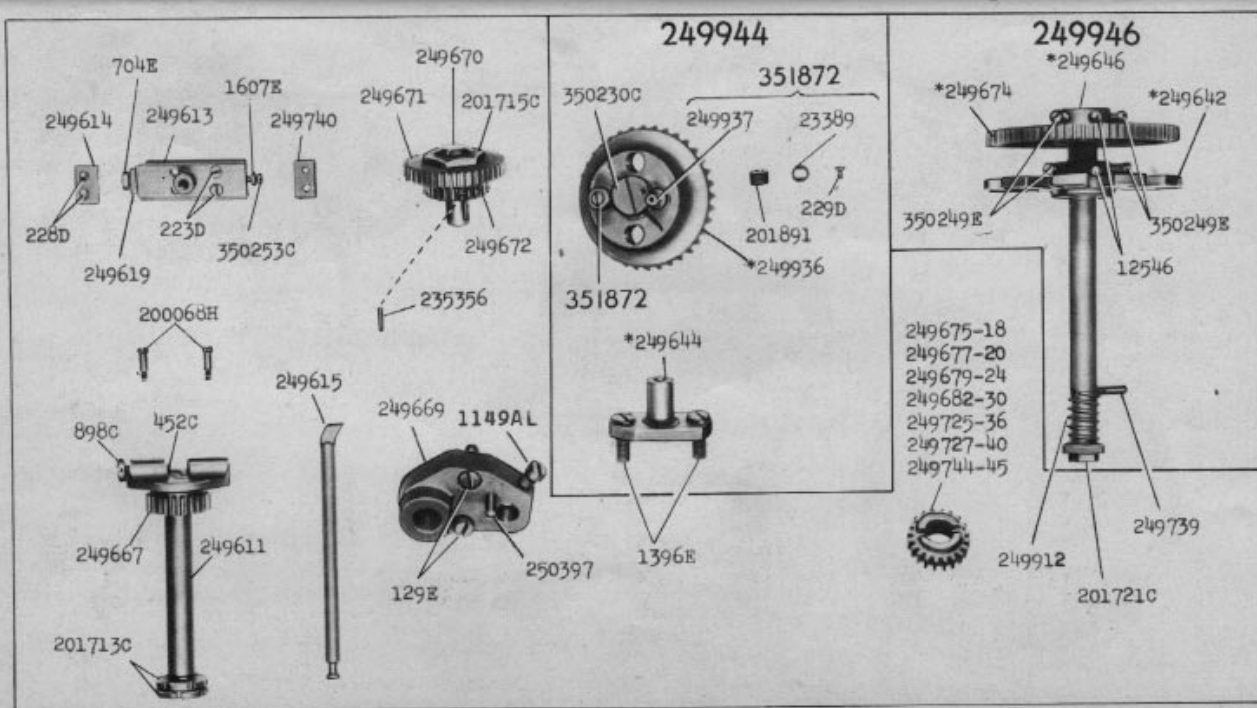




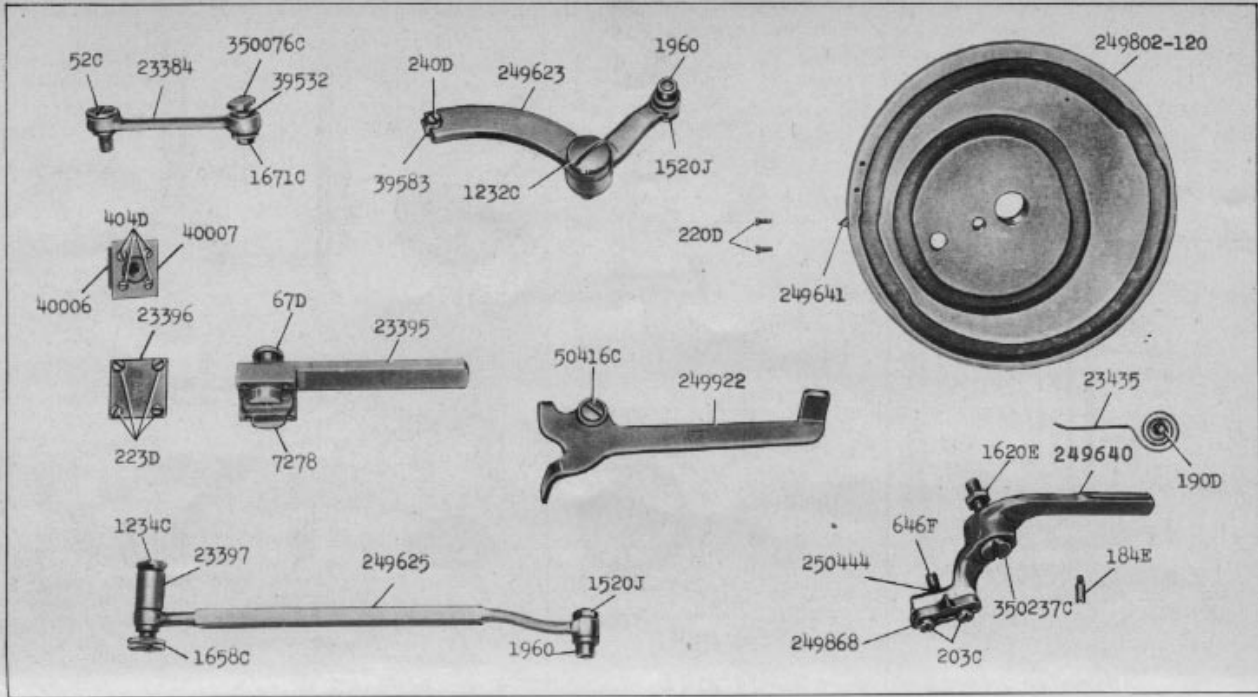
17920 - 1/3



17921 - 1/3



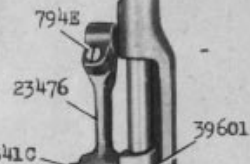
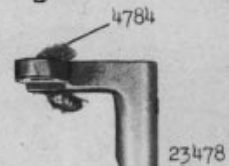
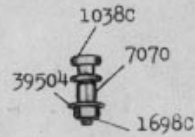
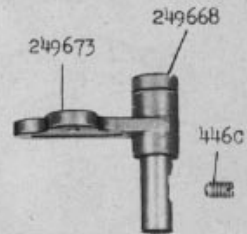
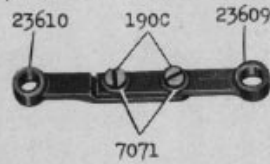
17922 - 3/8



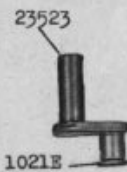
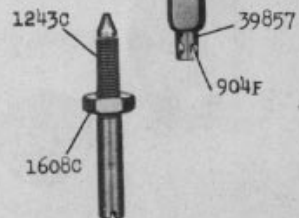
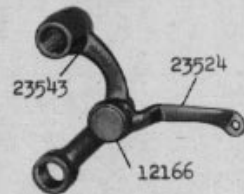
17923 - 3/8

17924 - 1/2

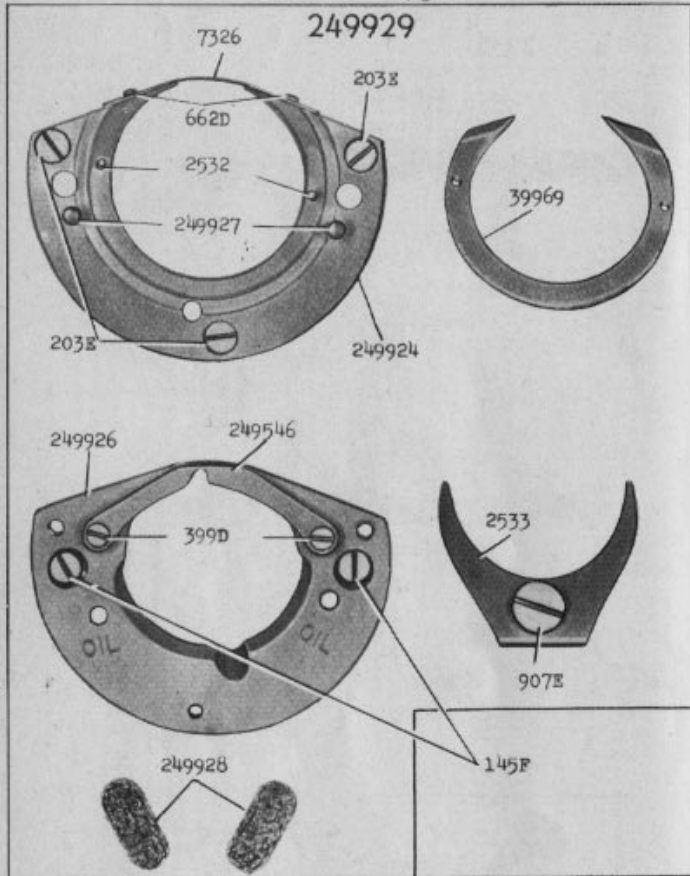
23611



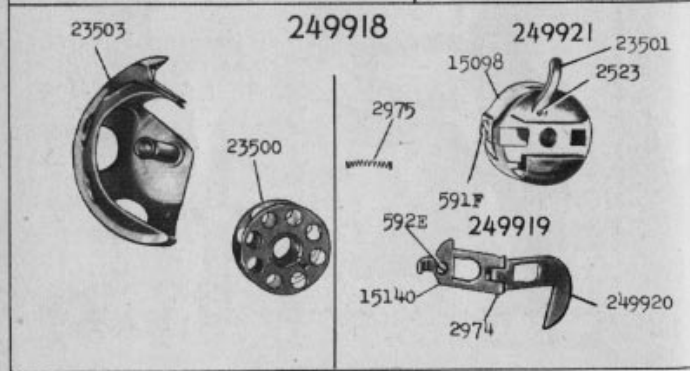
23525



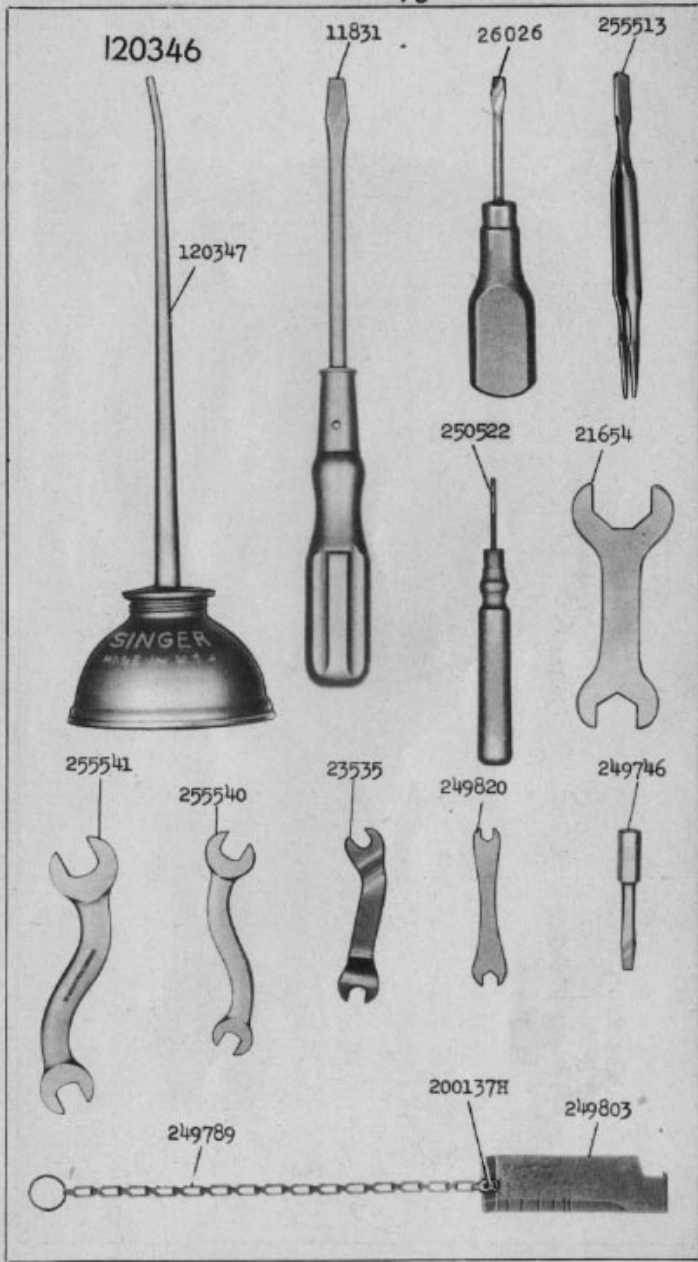
17925 - 2/3

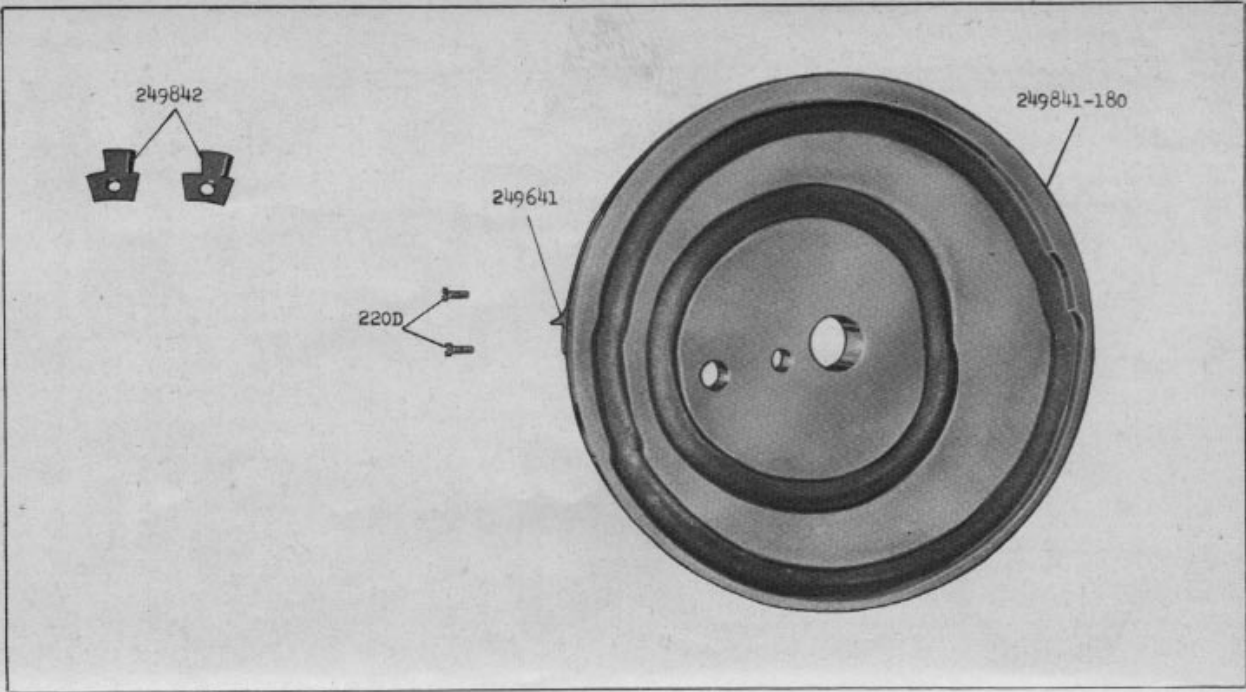


249918

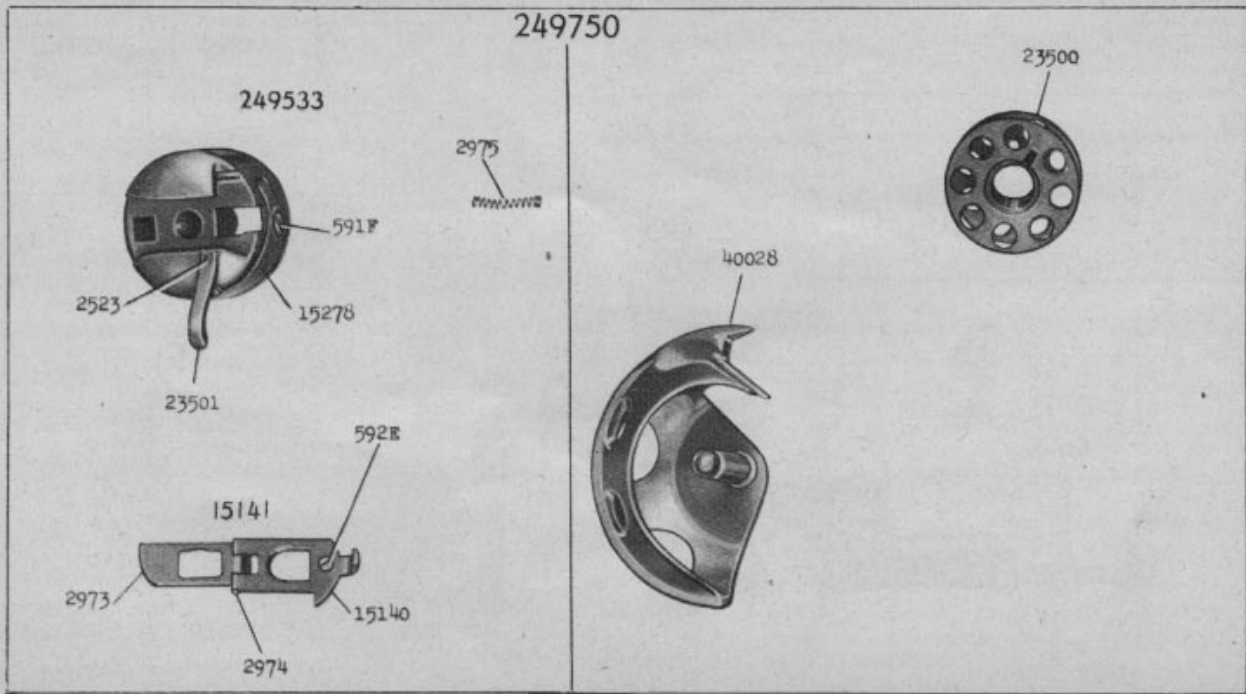


17926 - 1/3

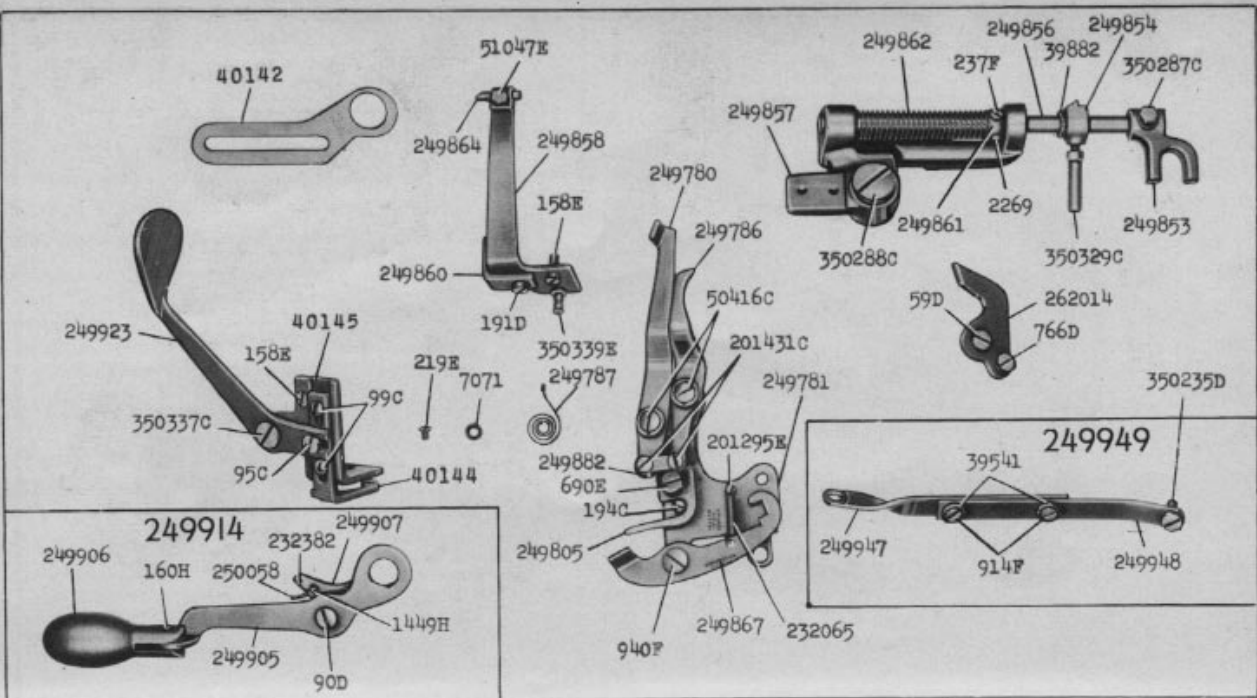




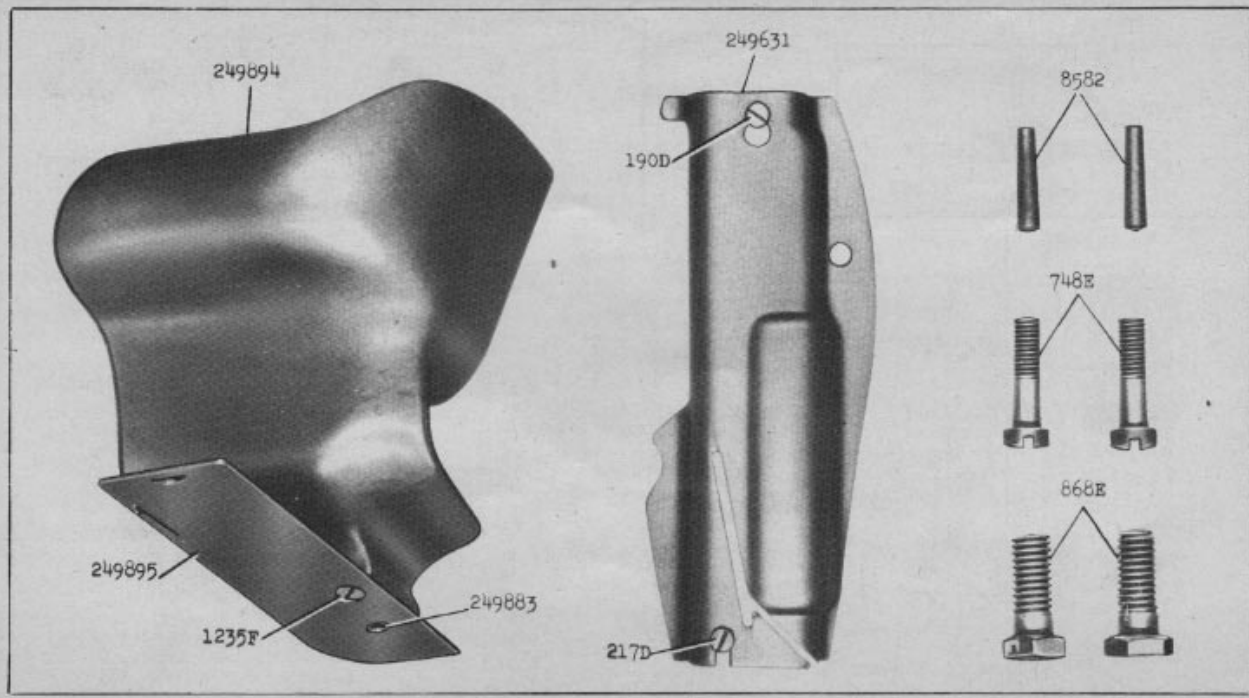
17927 - 5/8



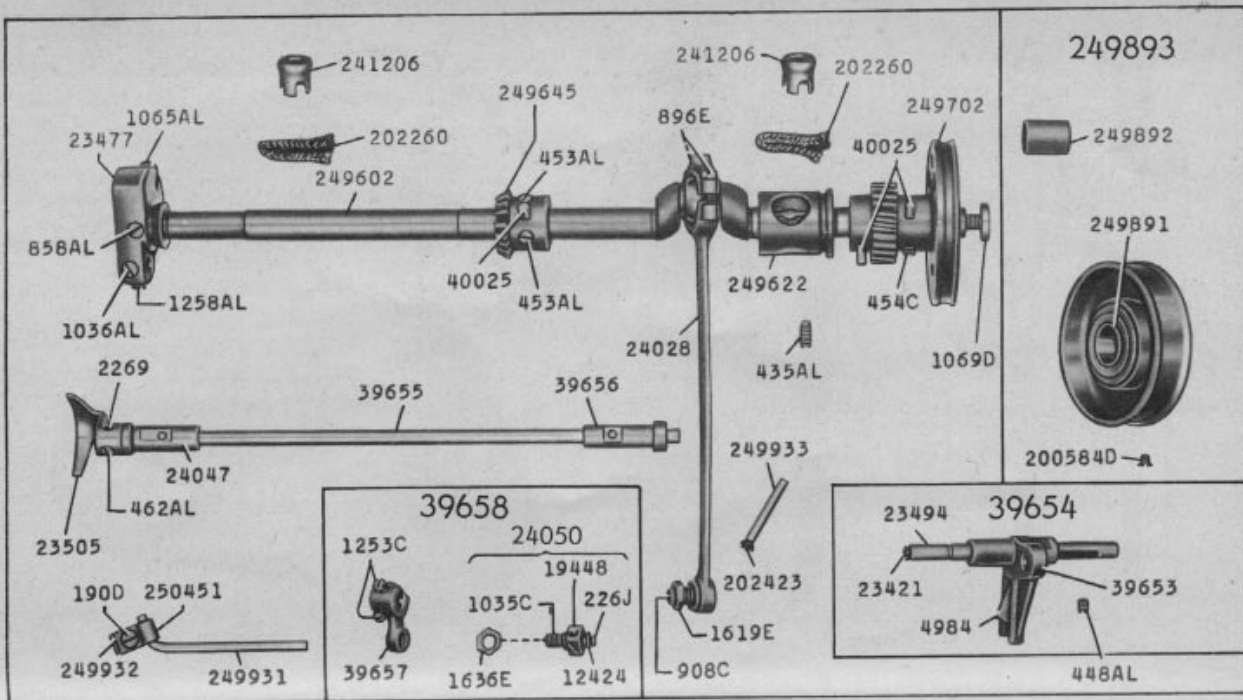
17928



17942 1/3

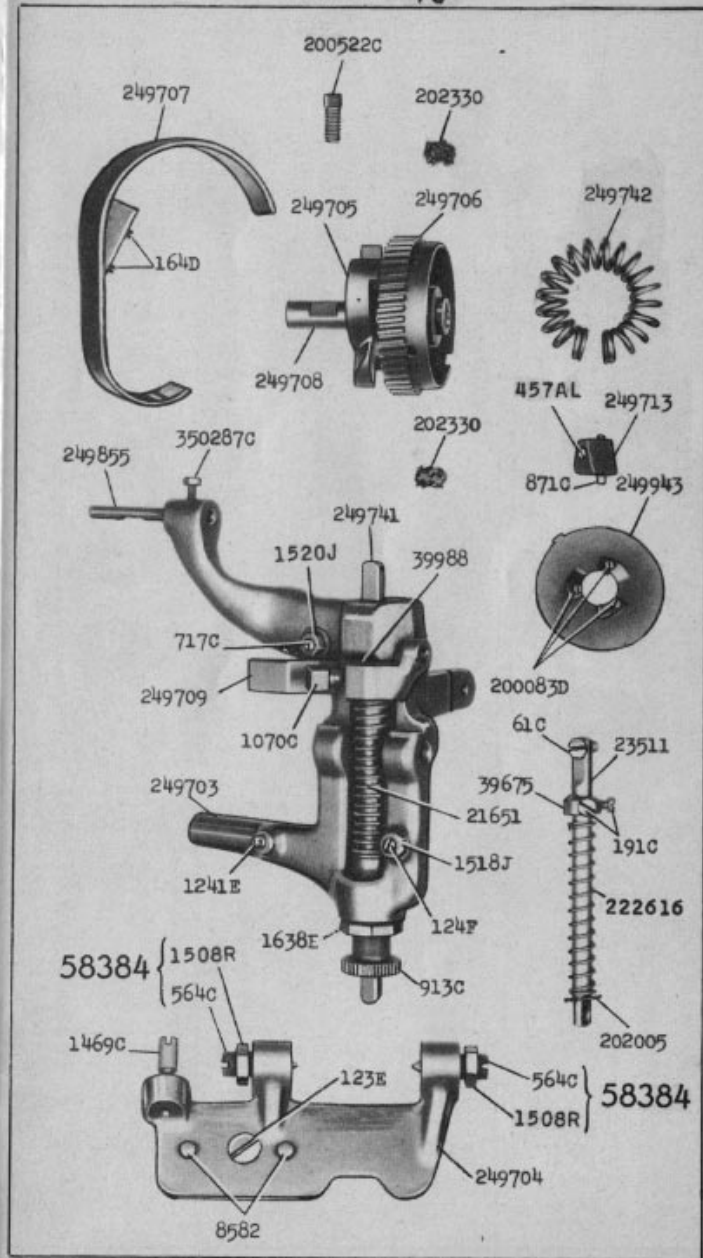


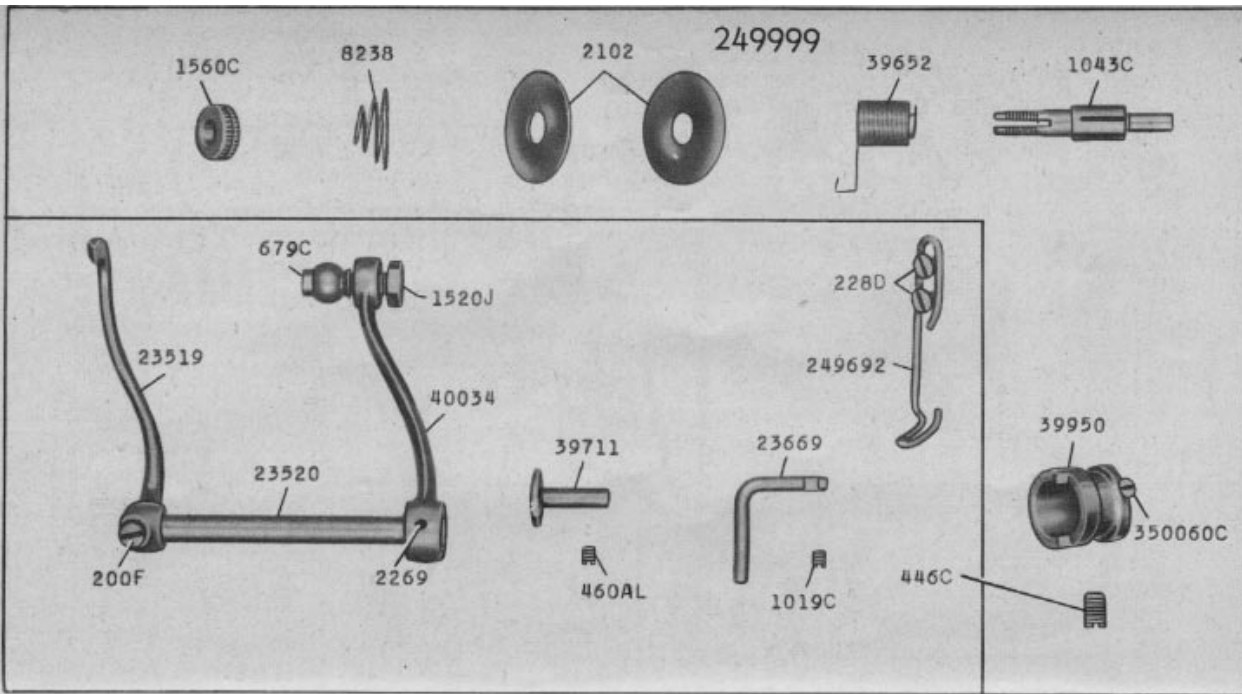
18219 - 1/2



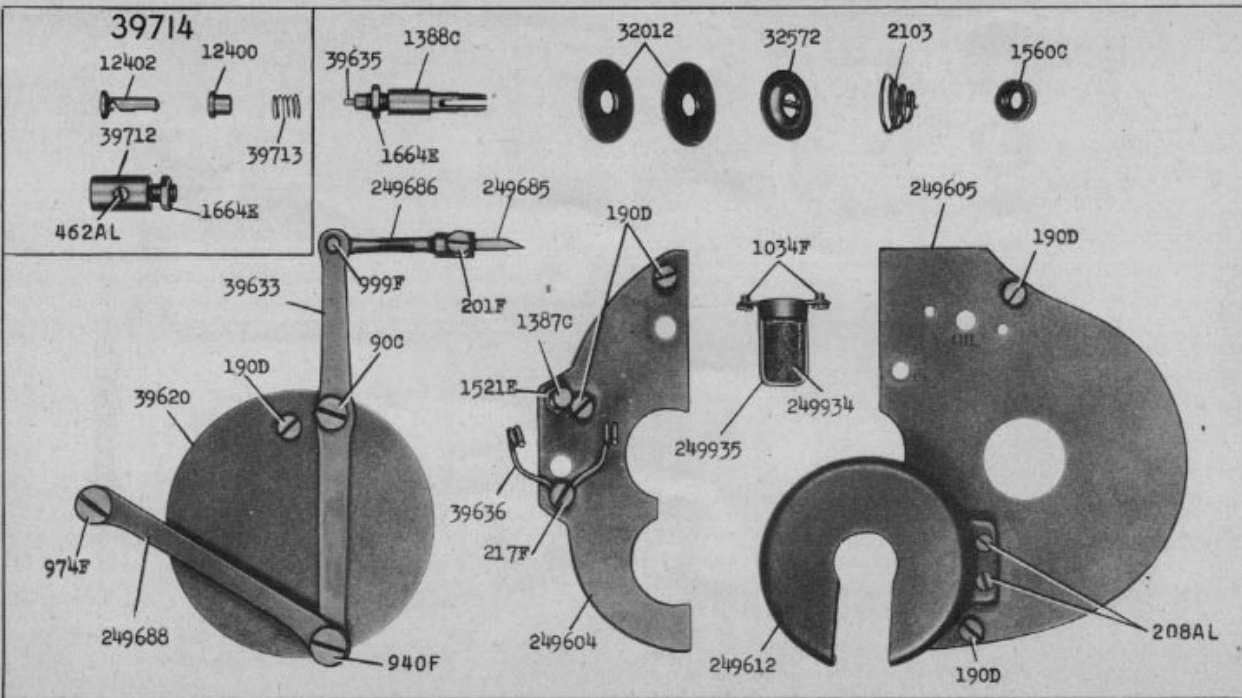
18220 - 1/3

18229 - 1/3





18231 - 2/3

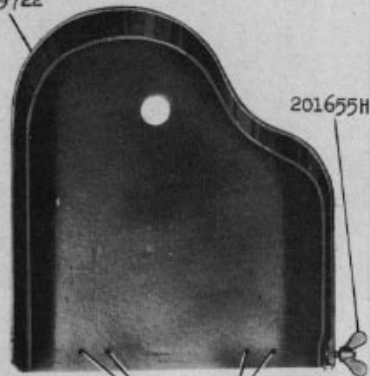


18232 - 1/2

18234 - 1/6

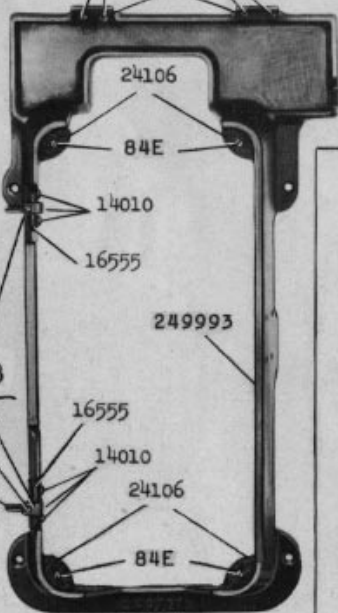
249723

249722



200574Z

39912



249992

150496

150484

150481



330R

150485

144D

150482

150483

350453C

201007C



200363C

249991

23527

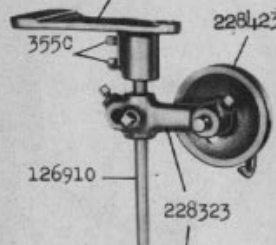


18235 - 1/4

228354

228328

228324



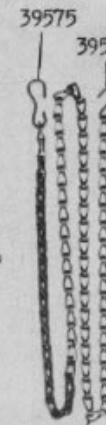
126910

228323

232982



250408



228330



236850 (4)

236849

1064D

39571

228320 (4)

23551 (2)

3550

3550

228423



228321

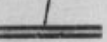


361C

228327



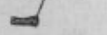
228326



228327



203100

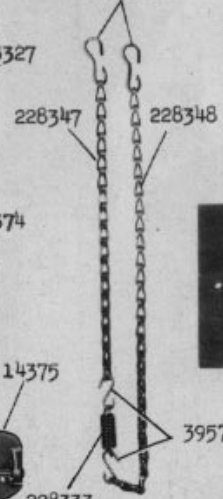


858AL



228349

39575



228347

228348

39576

234344

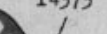


14372



14376 (2)

14373

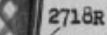


14374

2718R



50581R



14375



17881



18236 - 3/8

