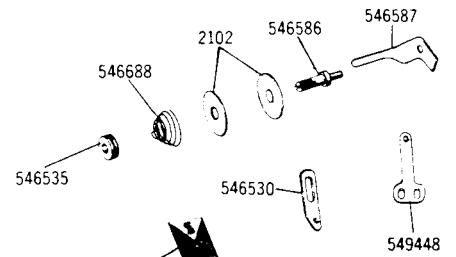
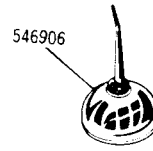
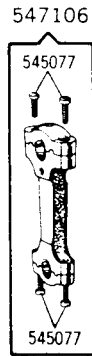
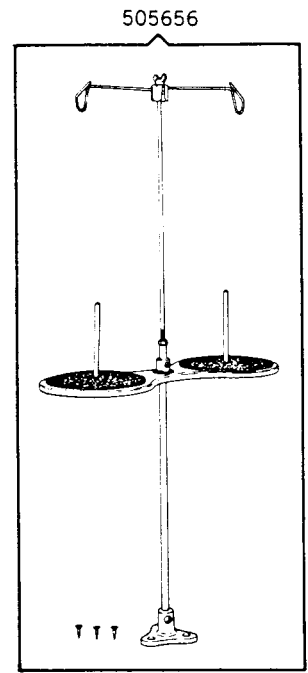
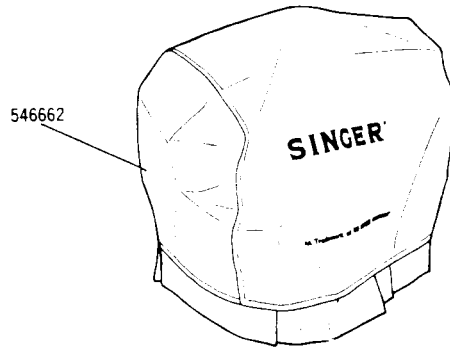
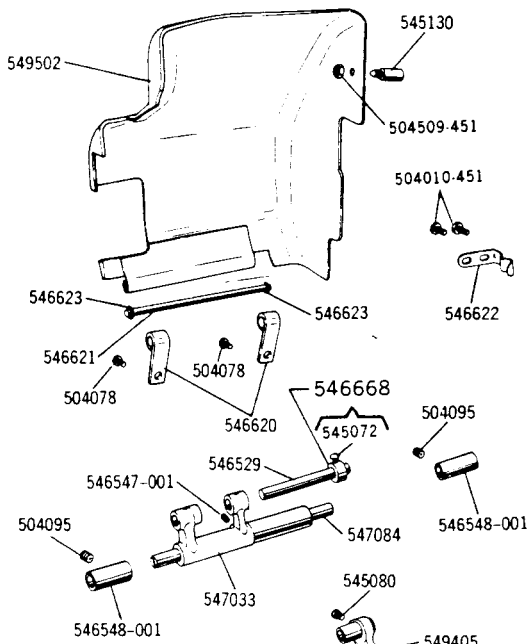


SINGER
81U34



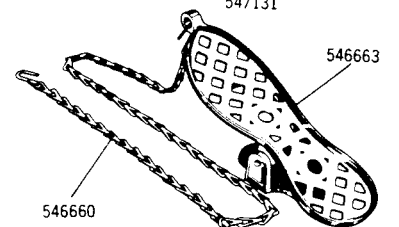
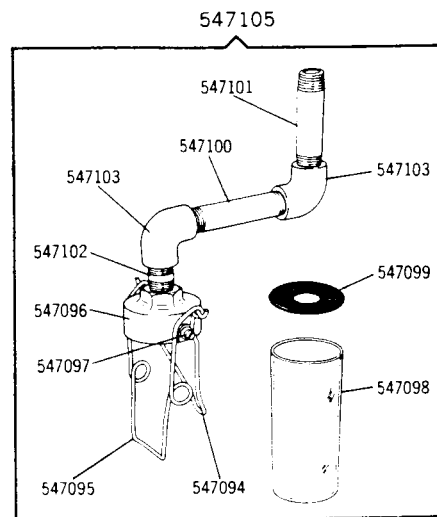
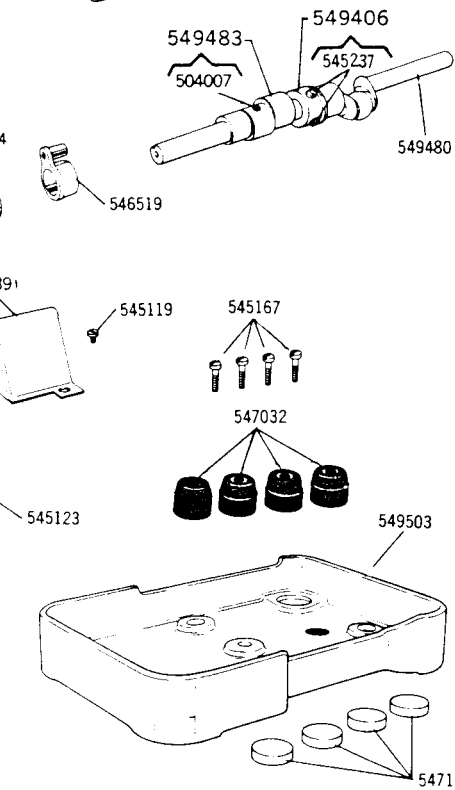
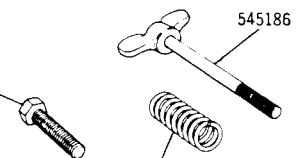
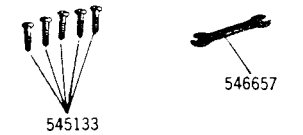
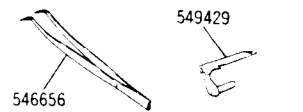
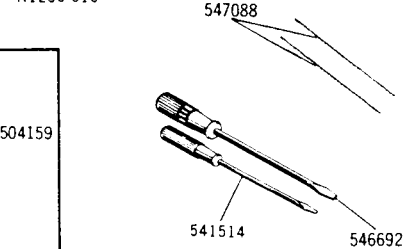
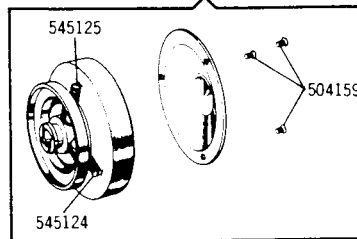
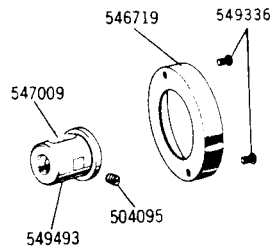
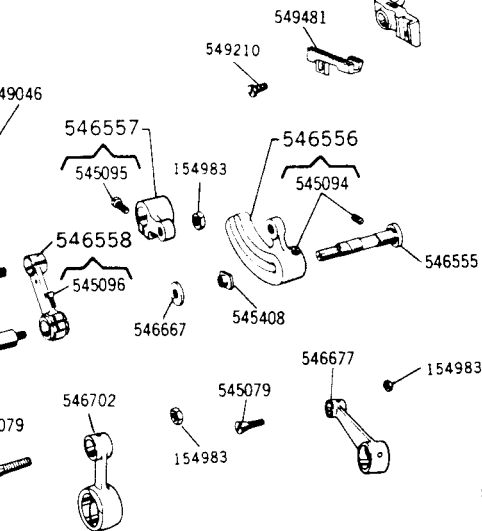
486

66

549504

549489

5



NUMERICAL LIST OF PARTS FOR MACHINE 81U34

PART No.	DESCRIPTION	PART No.	DESCRIPTION	PART No.	DESCRIPTION
2102	Tension (needle thread) Disc (2)	545085 (829)	Needle Bar Thread Retainer Screw	545411 (805)	Cloth Plate Hinge Screw Nut
545072 (833)	Feed Bar Hinge Pin Collar Set Screw	545086 (829)	Needle Bar Thread Retainer Bracket Screw	546503	Arm Dowel Pin (2)
545237 (830)	Feed Eccentric Set Screw (2)	545086 (829)	Thread (needle) Take-up Screw (2)	546504	Needle Bar Crank Shaft
504007 (850)	Needle Bar Bushing (lower) Set Screw	545099 (803)	Looper (right hand) and Spreader Lever Connection Guide Screw	546505	Needle Bar Crank Shaft Oil Wick
504007 (850)	Needle Bar Bushing (upper) Set Screw	545099 (803)	Needle Bar Connecting Rod Guide Screw	546506	Needle Bar Crank Shaft Bushing (front)
504007 (850)	Thread (looper, left hand) Tube Set Screw	545091 (829)	Presser Regulating Thumb Screw	546507	Needle Bar Crank Shaft Bushing (back)
504010-451	Chip Guard Screw (2)	545091 (829)	Presser Regulating Thumb Screw	546508	Needle Bar Crank (front) with 549084 (833) and 549085 (833)
504010-451	Feed Eccentric Cover Screw (2)	549210 (810)	Feed Dog Screw	546513-001	Needle Bar Bushing (lower)
504010-451	Frame Back Cover Spring Screw (2)	545094 (833)	Feed Regulator Set Screw (2)	546513-002	Needle Bar Bushing (upper)
504010-451	Presser Lever Lifter Screw (front)	545095 (803)	Feed Rock Shaft Crank Clamping Screw	546514	Needle Bar Connecting Link
504007 (850)	Feed Lifting Eccentric Set Screw (2)	545096 (803)	Feed Regulator Connection Adjusting Screw	546515	Needle Bar Connecting Link Hinge Pin (2)
504007 (850)	Needle Bar Crank Shaft Bushing (back) Set Screw	545097 (803)	Feed Regulating Screw Stud	546519	Feed Lifting Eccentric Connection
504007 (850)	Needle Bar Crank Shaft Bushing (front) Set Screw	504101 (850)	Knife (movable) Lever Hinge Stud Set Screw	546522	Frame Rotary Shaft Crank Oil Pad
504078 (803)	Frame Back Cover Bracket Screw (2)	545100 (850)	Knife (movable) Holder Guide Plate Screw (2)	546677	Feed Connecting Rod with two
504095 (850)	Feed Rock Shaft Hinge Pin Bushing Set Screw (2)	545101 (850)	Knife (movable) Holder Guide Set Screw	546529	Feed Bar Hinge Pin
504095 (850)	Frame Rotary Shaft Bushing (front) Set Screw	545102 (850)	Knife (stationary) Holder Screw	546532	Tension (needle thread) Thread Guide
504095 (850)	Frame Rotary Shaft Flanged Bushing (back) Set Screw	545104 (850)	Knife (stationary) Holder Regulating Thumb Screw	546533	Tension (needle thread) Spring
504095 (850)	Looper (left hand) Lever Hinge Stud Set Screw	545099 (803)	Needle Guard Screw	546535 (821)	Tension (needle thread) Screw Stud Nut
504095 (850)	Looper (right hand) and Spreader Lever Hinge Pin Bushing Set Screw (2)	545108 (833)	Looper (right hand) and Spreader Lever Ball Stud Set Screw	546536	Tension (needle thread) Screw Stud
504134 (850)	Presser Lever Hinge Stud Set Screw	545108 (833)	Needle Bar Crank (back) Ball Stud Set Screw	546537	Needle Bar Thread Retainer complete, Nos. 545085 (829), 546540, 546707 and two 546539
549336 (825)	Balance Wheel Oil Guard Screw (2)	545109 (853)	Spreader (right hand) Screw	546539	Needle Bar Thread Retainer Disc (2)
504145-451	Frame Side Cover Screw (2)	545112 (810)	Spreader (left hand) Clamping Screw	546540	Needle Bar Thread Retainer Spring
504159 (819)	Balance Wheel Cap Screw (3)	545113 (850)	Looper (left hand) Lever Connecting Link Hinge Screw (2)	546541	Needle Bar Crank (back) with 545108 (833), 549084 (833) and 549085 (833)
504167 (805)	Arm Screw (2)	545115 (829)	Throat Plate Screw (2)	546542	Looper (right hand) and Spreader Lever Ball Stud
504509-451	Frame Back Cover Thumb Screw Nut	545118 (853)	Presser Foot Screw	546542	Needle Bar Crank (back) Ball Stud
545067 (821)	Needle Bar Crank Shaft Plug Screw	545119 (853)	Frame Top Cover Screw	546544	Looper (right hand) and Spreader Lever Connection Guide
545071 (853)	Needle Bar Connecting Bracket Clamping Screw	545120 (829)	Lifting Lever Hinge Screw	546544	Needle Bar Connecting Rod Guide
545072 (833)	Needle Bar Connecting Link Hinge Pin Set Screw	545123 (852)	Feed Eccentric Cover Holder Thumb Screw	546547-001	Oil Pad, for Feed Rock Shaft
545073 (853)	Needle Bar Connecting Link Hinge Pin Set Screw	545124 (850)	Balance Wheel Set Screw	546548-001	Feed Rock Shaft Hinge Pin Bushing (2)
545076 (833)	Frame Rotary Shaft Crank Position Screw	545125 (850)	Balance Wheel Position Screw	546548-001	Looper (right hand) and Spreader Lever Hinge Pin Bushing (2)
545077 (850)	Looper (right hand) and Spreader Lever Connecting Cap Screw (4)	545130 (810)	Frame Back Cover Thumb Screw	546550	Presser Lever Spring
545077 (850)	Needle Bar Connecting Rod Cap Screw (4)	545161 (829)	Cloth Plate Hinge Screw	546555	Feed Regulator Hinge Stud
545079 (850)	Feed Connecting Rod Hinge Screw	545167 (805)	Machine Cushion Screw (4)	546556	Feed Regulator with two 545094 (833)
545079 (850)	Feed Regulator Connection Hinge Screw	545406 (853)	Needle Clamping Nut	546557	Feed Rock Shaft Crank with 545095 (803)
545079 (850)	Knife (movable) Lever Connection Hinge Screw	154983 (819)	Feed Connecting Rod Hinge Screw Nut	546558	Feed Regulator Connection with 545096 (803)
545080 (803)	Feed Bar Hinge Pin Set Screw	154983 (819)	Feed Regulator Connection Hinge Screw Nut	546559	Knife (movable) Lever
545084 (853)	Thread (needle) Eyelet Screw	154983 (819)	Knife (movable) Lever Connection Hinge Screw Nut	546560	Knife (movable) Lever Hinge Stud
		545408 (803)	Feed Regulating Screw Stud Nut	546702	Knife (movable) Lever Connection with two 545099 (803)
		545451 (809)	Presser Lever Lifter Screw (back) Nut		
		545451 (809)	Lifting Lever Stop Screw Nut		

NUMERICAL LIST OF PARTS FOR MACHINE 81U34

PART No.	DESCRIPTION	PART No.	DESCRIPTION	PART NO.	DESCRIPTION
546562	Knife (movable) Holder Guide Plate	549084 (833)	Needle Bar Crank (front) Position Screw		
546563	Knife (movable) Holder Guide with 545101 (850)	549085(850)	Needle Bar Crank (back) Set Screw		
546564	Knife (movable) Holder	549085(850)	Needle Bar Crank (front) Set Screw	546906	Oiler
546565	Knife (movable) Gib	549089 (850)	Lifting Lever Stop Screw	N1230-016	Needle (81×5) # 16 (6)
546566	Knife (movable) Holder Spring	549090 (803)	Lifting Lever Bracket Screw	2102	Tension (looper, left hand) Disc (2)
546567	Knife (movable)	549093 (803)	Knife (movable) Lever Bracket Screw	505656	Thread Unwinder (for two spools) complete
546570	Knife (stationary) with Stud	549094 (853)	Presser Lever Lifter Screw (back)	545107	Thread (looper, left hand) Eyelet Screw
546572	Looper (right hand) and Spreader Lever	549095 (853)	Chip Guard Chaining-off Finger Screw (2)	545133	Wood Screw 1" No. 11 (5)
546578	Looper (left hand) Lever	549095 (853)	Presser Foot Chaining-off Finger Screw	545186	Thumb Screw
546582	Looper (left hand) Lever Connecting Link	549108 (805)	Frame Screw (for shipping purposes only)	546530	Thread (needle) Eyelet
546687	Thread (looper, left hand) Tube	549405	Feed Bar	546535 (821)	Tension (looper, left hand) Screw Stud Nut
546592	Presser Lever Hinge Stud	549406	Feed Eccentric with two 545237 (830)	546574	Thread (looper, left hand) Eyelet
546594	Presser Foot Screw Washer	549412	Feed Eccentric Cover Holder	546586	Tension (looper, left hand) Screw Stud
546596	Lifting Lever Spring	549430	Spreader (left hand)	546587	Tension (looper, left hand) Thread Guide
546612	Frame Side Cover complete, Nos. 546715 and 546716	549431	Looper (right hand) and Spreader Lever Connection with four 545077 (850)	546656	Tweezers (curved) (2)
546620	Frame Back Cover Bracket (2)	549433	Spreader (right hand)	546657	Wrench
546621	Frame Back Cover Hinge Pin	549435	Needle Bar with 545406 (853)	546660	Foot Lifter Chain
546622	Frame Back Cover Spring	549436	Needle Bar Connecting Bracket with 545071 (853)	546662	Machine Cover
546623	Frame Back Cover Hinge Pin Washer (2)	549446	Presser Lever	546663	Foot Lifter Treadle complete
546667	Feed Regulating Screw Stud Nut Washer	549480	Frame Rotary Shaft	546688	Tension (looper, left hand) Spring
546668	Feed Bar Hinge Pin Collar with 545072 (852)	549481	Feed Dog	541514	Screw Driver (small)
546669	Feed Eccentric Cover Holder Thumb Screw Washer	549482	Throat Plate	546692	Screw Driver (medium)
546699	Needle Bar Connecting Link Hinge Pin Oil Wick (2)	549483	Feed Lifting Eccentric with two 504007 (850)	547088	Threading Wire
546700	Needle Bar Bushing Oil Wick (felt) (2)	549484	Chip Guard	549429	Looper (left hand)
546707	Needle Bar Thread Retainer Bracket	549485	Chip Guard Chaining-off Finger	549448	Thread (needle) Take-up
546709	Knife (movable) Holder Cap	549486	Knife (movable) Lever Bracket	547131	Thumb Screw Spring
546710	Knife (movable) Holder Screw Extension Pin	549453	Knife (stationary) Holder		
546715	Frame side Cover Hinge Pin	549488	Needle Guard	547094	Oil Drain Jar Clamp Lever
546716	Frame side Cover Hinge Pin Spring	549489	Frame Top Cover	547095	Oil Drain Jar Clamp
546719	Balance Wheel Oil Guard	549490	Frame Rotary Shaft Crank with 545076 (833), 546522 and 549049 (833)	547096	Oil Drain Jar Cap
546720	Balance Wheel with 545124 (850), 545125 (850) and three 504159 (819)	549491	Feed Eccentric Cover	547097	Oil Drain Jar Clamp Lever Hinge Pin (2)
540954	Oil Pad, for Frame	549492	Cloth Plate complete	547098	Oil Drain Jar
547009	Oil Pad, for Frame Rotary Shaft Flanged Bushing (back)	549493	Frame Rotary Shaft Flanged Bushing (back)	547099	Oil Drain Jar Cap Packing
547032	Machine Cushion (4)	549495	Presser Foot (body)	547100	Oil Drain Jar Nipple (large)
547033	Feed Rock Shaft	549496	Presser Foot Chaining-off Finger	547101	Oil Drain Jar Nipple (medium)
547036	Looper (left hand) Lever Hinge Stud	549497	Presser Lever Lifter	547102	Oil Drain Jar Nipple (small)
547083	Looper (right hand) and Spreader Lever Hinge Pin	549498	Thread (needle) Eyelet	547103	Oil Drain Jar Nipple Elbow (2)
547084	Feed Rock Shaft Hinge Pin	549499	Thread (needle) Take-up	547105	Oil Drain Jar complete, Nos. 547094 to 547103
547106	Needle Bar Connecting Rod with four 545077 (850)	549500	Lifting Lever		
547118	Machine Base Cushion (4)	549501	Lifting Lever Bracket		
549045 (803)	Knife (movable) Holder Cap Screw (2)	549502	Frame Back Cover		
549046 (803)	Knife (movable) Holder Screw	549503	Machine Base		
549049 (833)	Frame Rotary Shaft Crank Set Screw	549504	Frame Rotary Shaft Bushing (front)		
549084 (833)	Needle Bar Crank (back) Position Screw	549507	Presser Foot 549495 with 549095 (853) and 549496		
		546679	Knife (stationary) Position Plate		
		504010-451	Knife (stationary) Position Plate Screw		
		N1230 016	Needle (81×5) # 16		

ACCESSORIES

OIL DRAIN JAR