

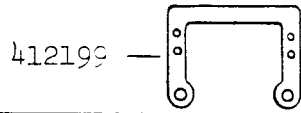
**ILLUSTRATED
PARTSLIST
FOR
SINGER***

**UNDER BED THREAD
TRIMMER**

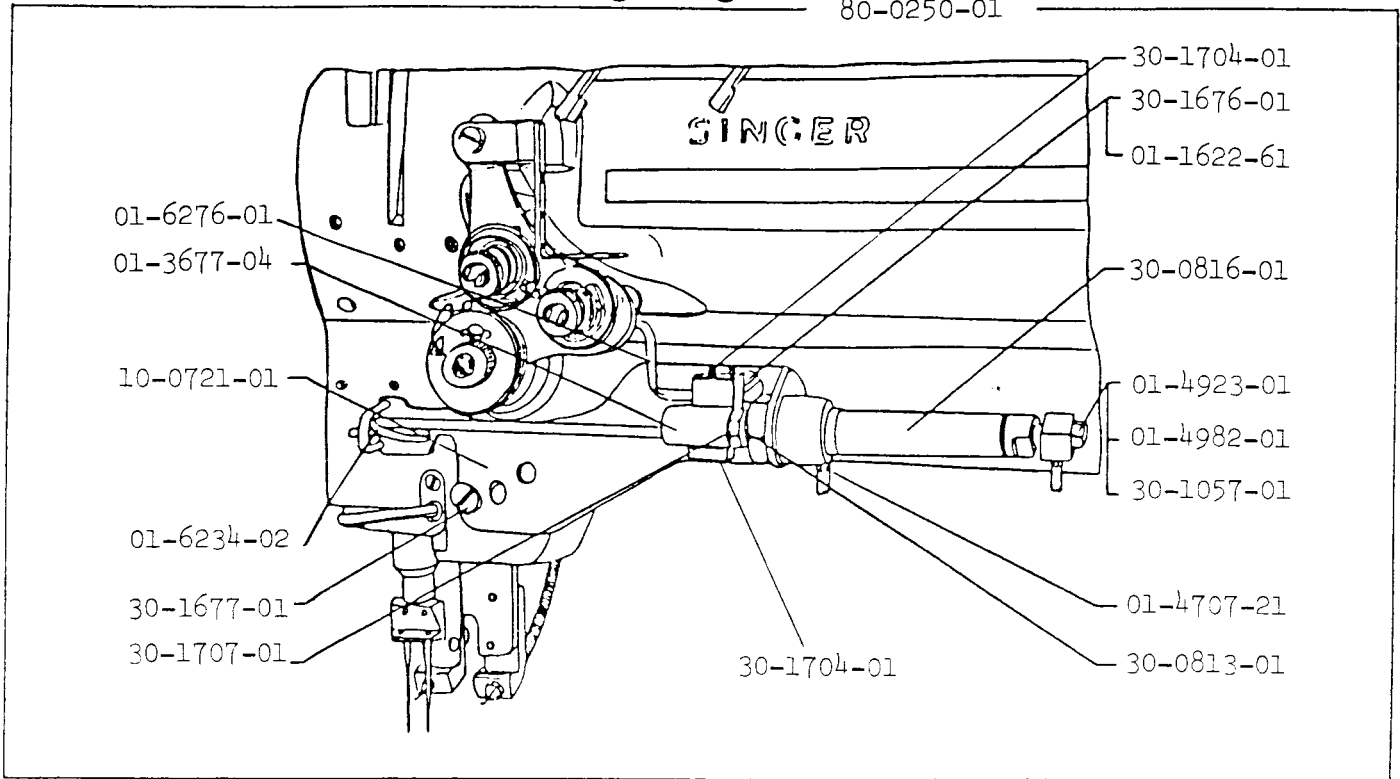
FOR 212U442AUTT

NOTE: When ordering parts for the following pages add prefix "810-" in front of each number.
For parts on machine refer to ILLUSTRATED PARTS LIST, form U3324.

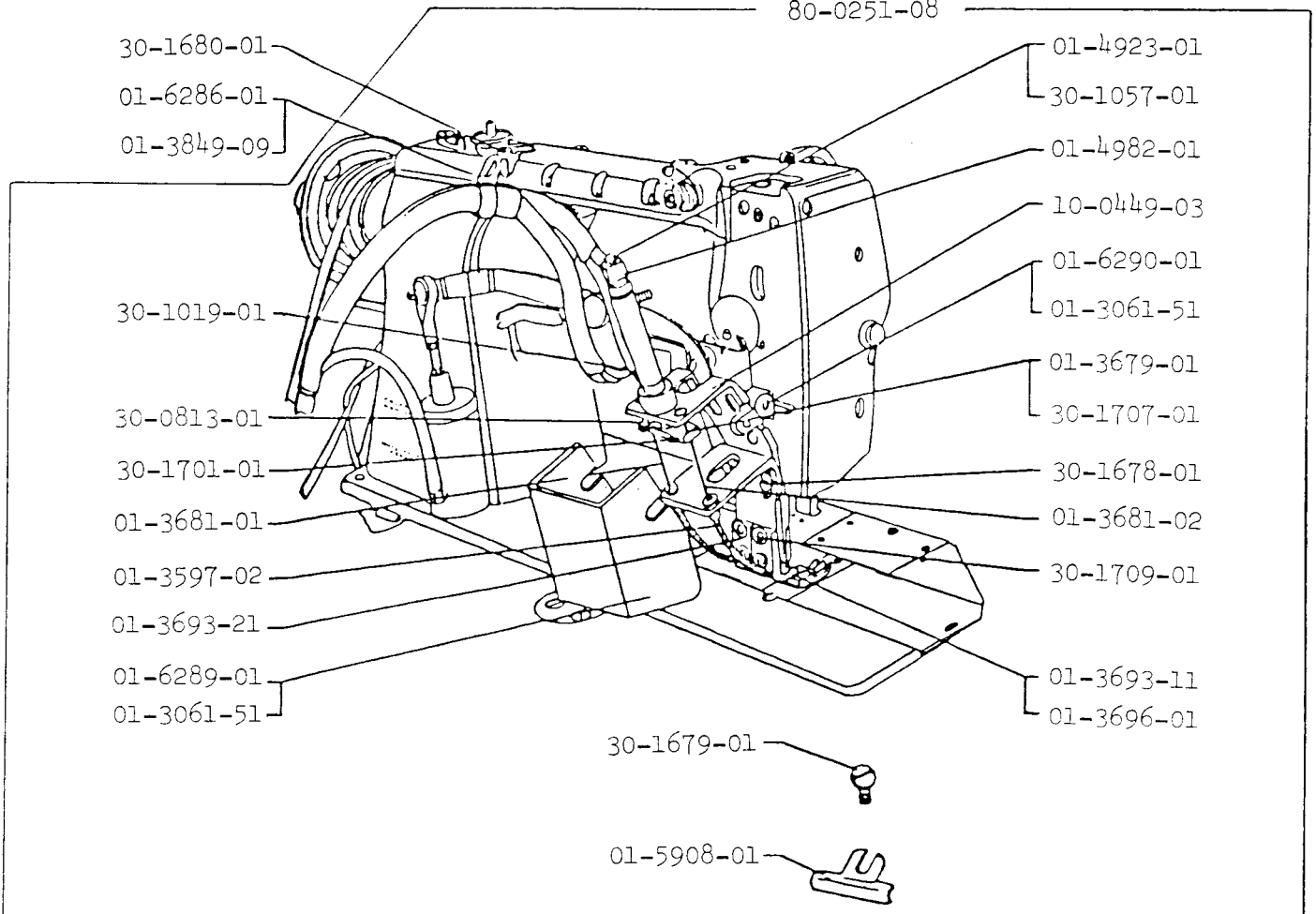
* A Trademark of THE SINGER COMPANY
Copyright © 1982 THE SINGER COMPANY
All Rights Reserved Throughout World



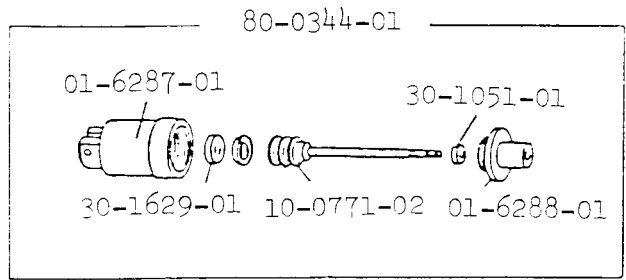
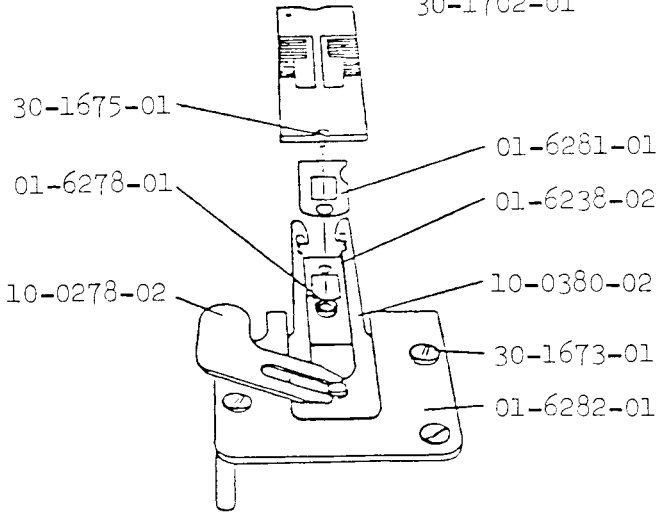
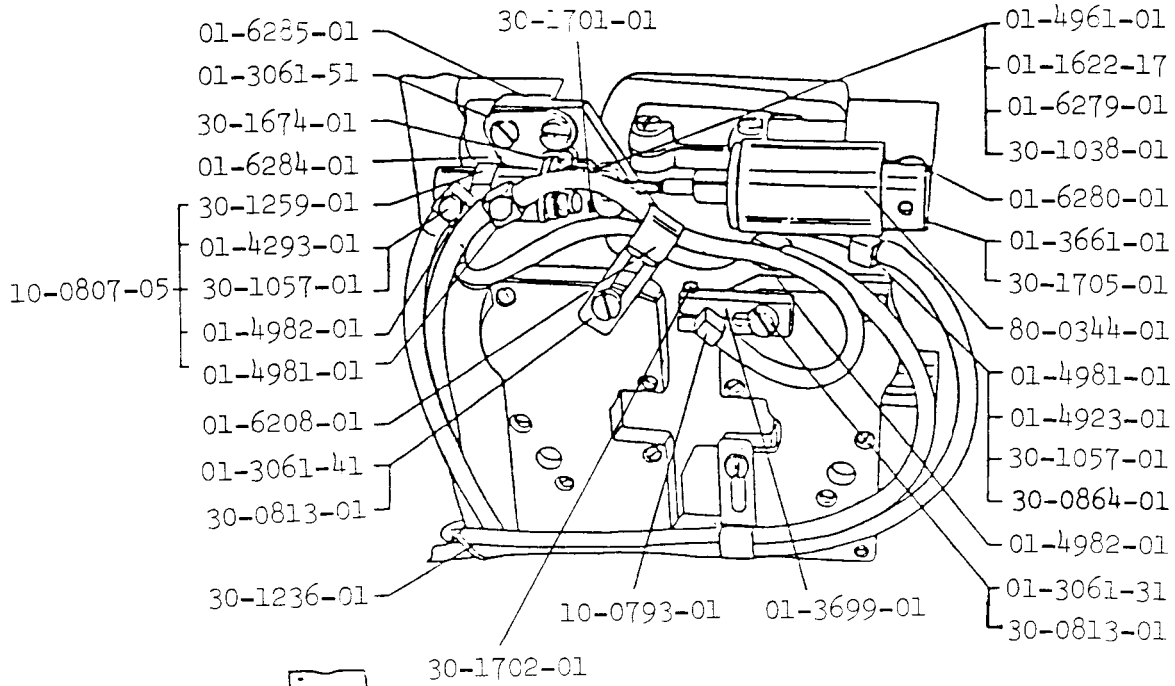
80-0250-01



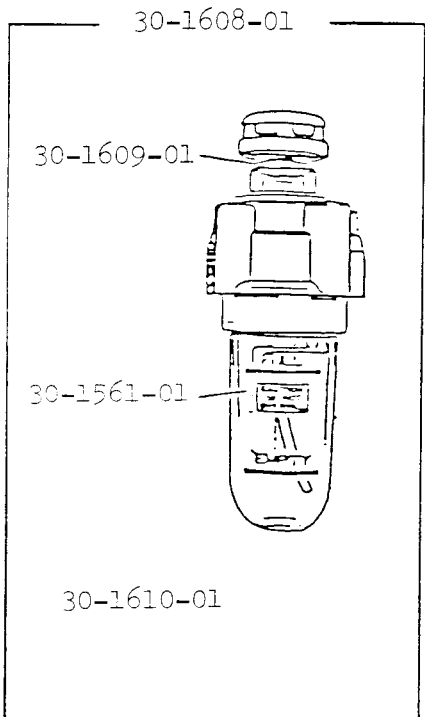
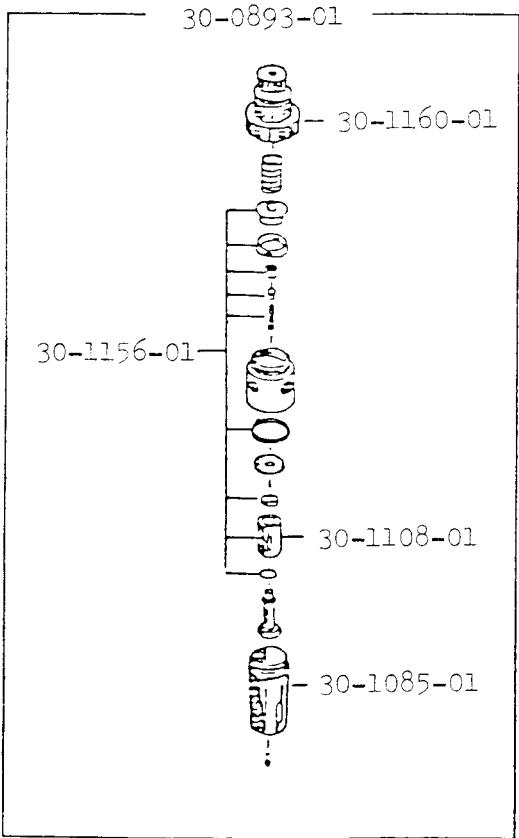
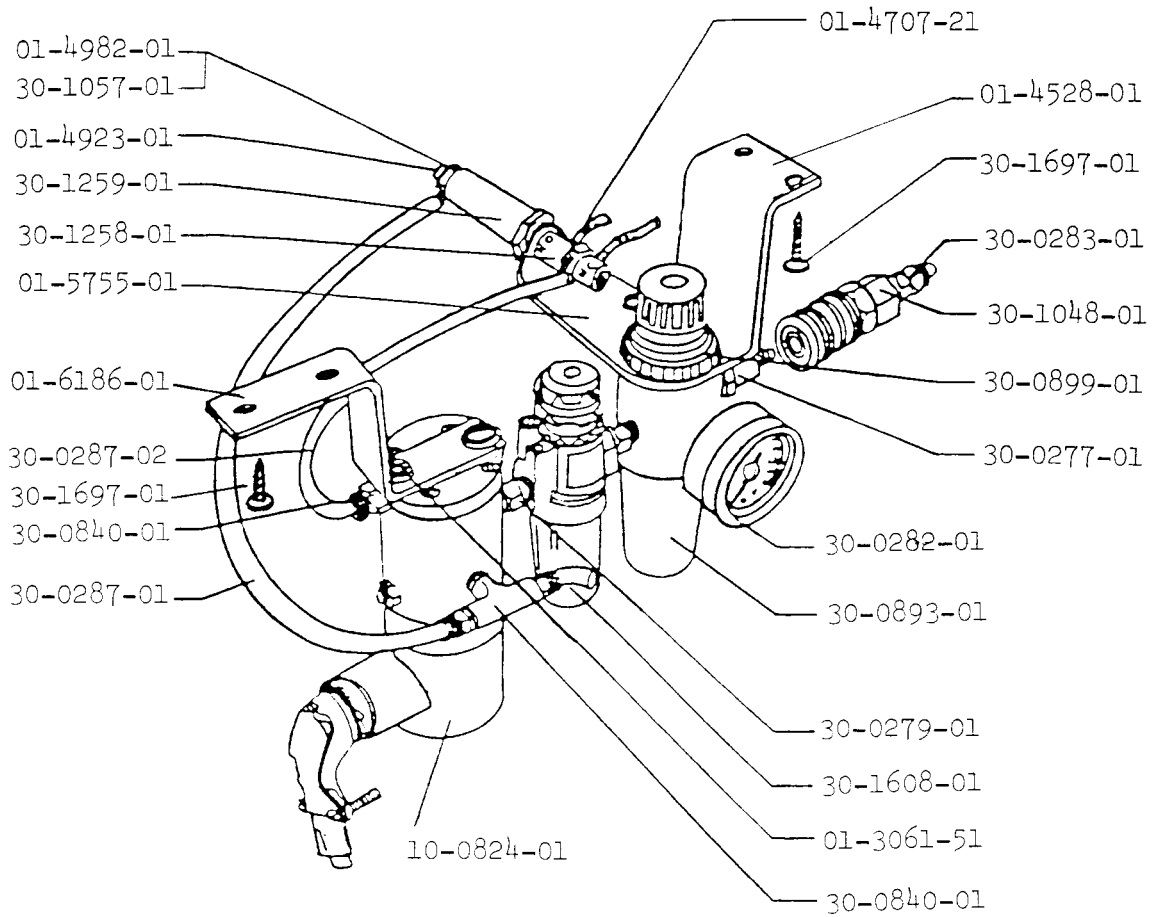
80-0251-08



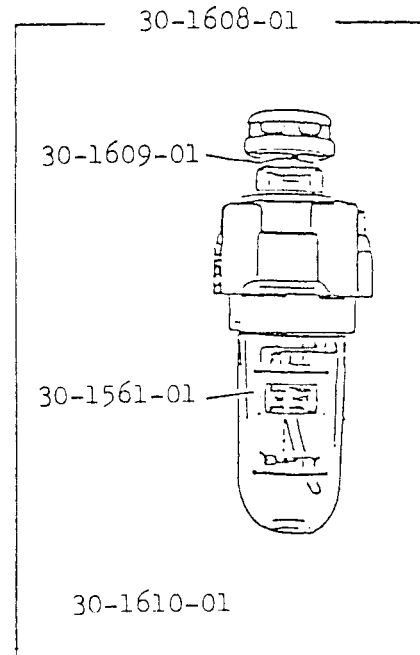
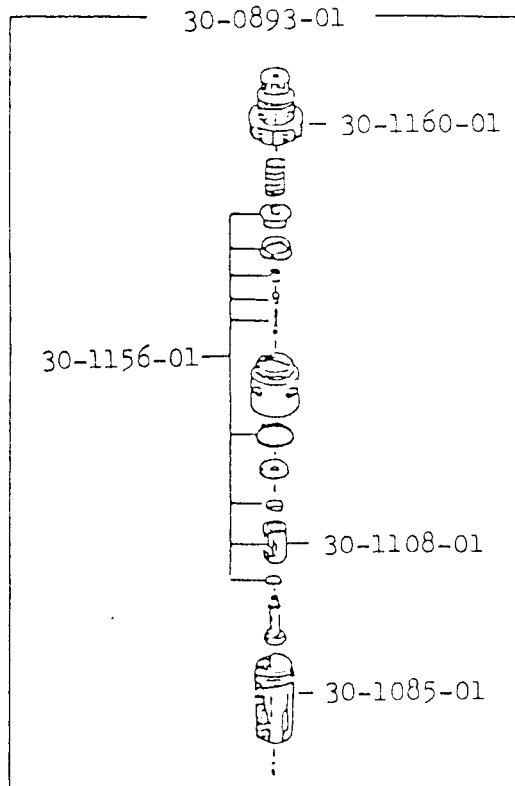
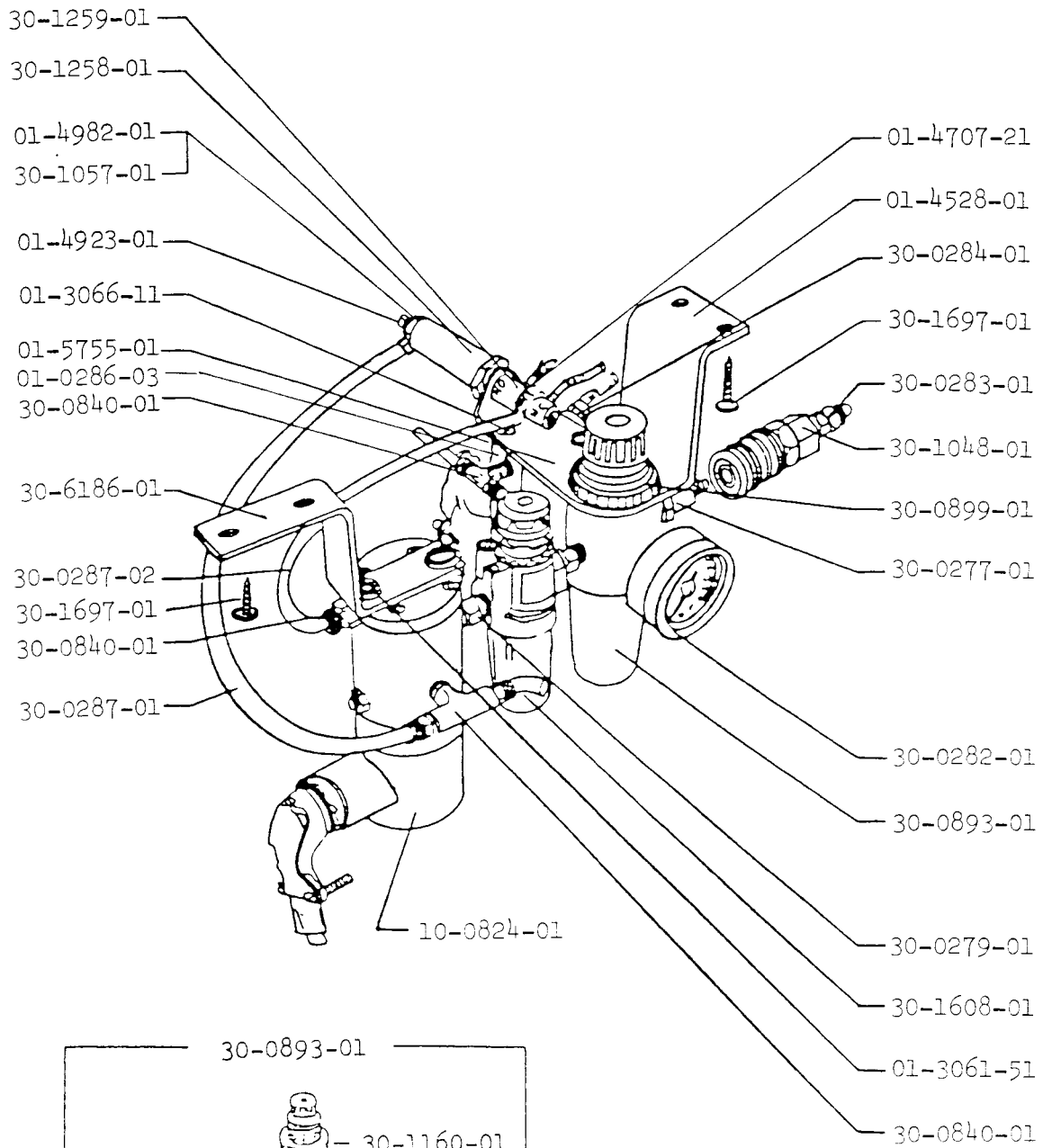
No.	2120442-01 -11 -21	Description
01-1622-61	* * *	Spacer
01-3061-51	* * *	Screw - Nut Plate (2)
01-3061-51	* * *	Screw - Thread Wiper Cover (2)
01-3597-02	* * *	Guide Spring - Thread Puller Hook (2)
01-3677-04	* * *	Block - Thread Release Mounting
01-3679-01	* * *	Block - Thread Puller Wire Mount
01-3681-01	* * *	Wire - Thread Puller - Right
01-3681-02	* * *	Wire - Thread Puller - Left
01-3693-11	* * *	Block - Picker Drive - Left
01-3693-21	* * *	Block - Picker Drive - Right
01-3696-01	* * *	Nipple - Picker Guide (2)
01-3849-09	* * *	Spacer - Clamp Mount
01-4707-21	* * *	Hose Fitting
01-4923-01	* * *	Screw - Universal Elbow
01-4923-01	* * *	Screw - Universal Elbow (2)
01-4982-01	* * *	Elbow - Universal
01-4982-01	* * *	Elbow - Universal (2)
01-5908-01	* * *	Thread Guard
01-6234-02	* * *	Fuller - Thread
01-6276-01	* * *	Pin - Thread Release
01-6208-06	* * *	Clamp - Polytubing (Top)
01-6286-01	* * *	Clamp - Polytubing (Top)
01-6289-01	* * *	Cover - Thread Wiper
01-6290-01	* * *	Nut Plate
10-0449-03	* * *	Bracket - Air Cylinder Mounting
10-0721-01	* * *	Bracket - Thread Release and Puller-off
30-0813-01	* * *	"O" Ring - Cylinder Shaft (External)
30-0813-01	* * *	"O" Ring - Cylinder Shaft (External)
30-0816-01	* * *	Air Cylinder - Tension Release
30-1019-01	* * *	Air Cylinder - Rimba (1 3/8")
30-1057-01	* * *	Gasket - Humphrey 89-14 (2)
30-1057-01	* * *	Gasket - Universal Elbow (4)
30-1236-01	* * *	Ties (5)
30-1676-01	* * *	Screw - Bracket Mount
30-1677-01	* * *	Screw - Tension Release Bracket
30-1678-01	* * *	Screw - Bracket Mount (2)
30-1679-01	* * *	Screw - Thread Guard
30-1680-01	* * *	Screw - Polytubing
30-1701-01	* * *	Screw - Thread puller Clamp Block (2)
30-1704-01	* * *	Screw-Thread Puller (2)
30-1704-01	* * *	Screw-Thread Release Pin (2)
30-1707-01	* * *	Nut - Air Cylinder Shaft
30-1707-01	* * *	Nut - Air Cylinder Shaft
30-1709-01	* * *	Screw-Wipers Guide Block
80-0250-01	* * *	Tension Release and Pull-off Assembly 01-1622-61, 01-3677-04, 01-4707-21, 01-4923-01, 01-4982-01, 01-6234-02, 01-6276-01, 10-0721-01, 30-0813-01, 30-0816-01, 30-1057-01 (2), 30-1676-01, 30-1677-01, 30-1704-01, 30-1707-01
80-0251-08	* * *	Wiper Assembly 01-3061-51(4), 01-3597-02(2), 01-3679-01, 01-3681-01, 01-3681-02, 01-3693-11, 01-3693-21, 01-3696-01(2), 01-4923-01(2), 01-4982-01(2), 01-5908-01, 01-6289-01, 01-6290-01, 10-0449-03, 30-0813-01, 30-1019-01, 30-1057-01(4), 30-1236-01 (5), 30-1678-01 (2), 30-1679-01 30-1701-01, 30-1701-01, 30-1709-01
412199	* * *	Thread Guide



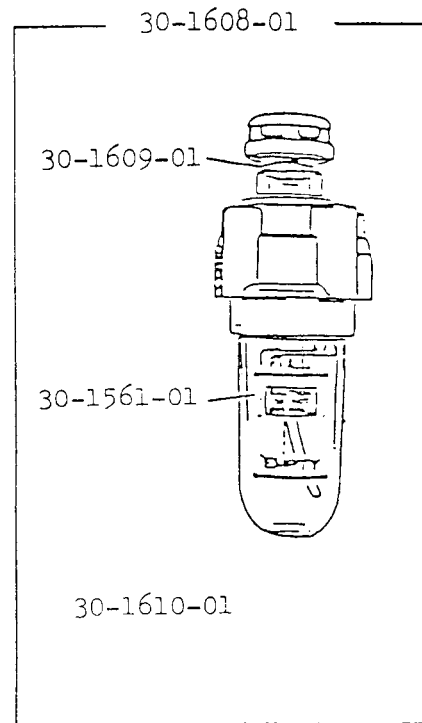
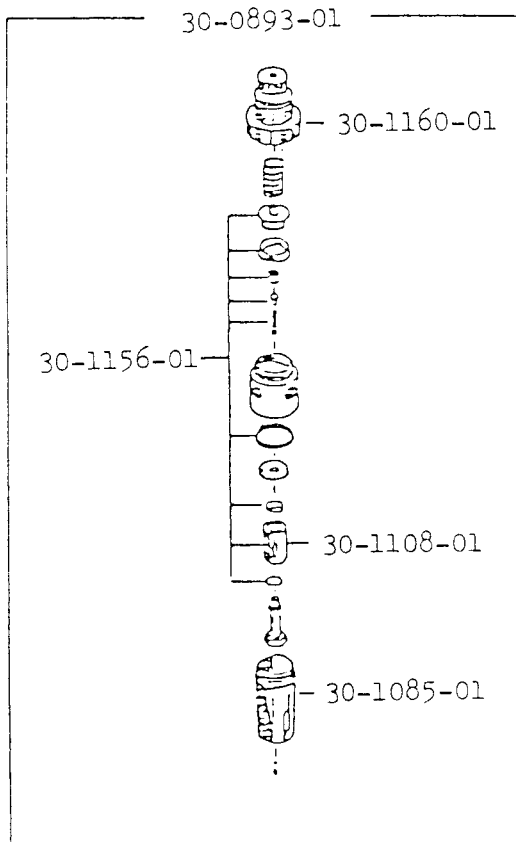
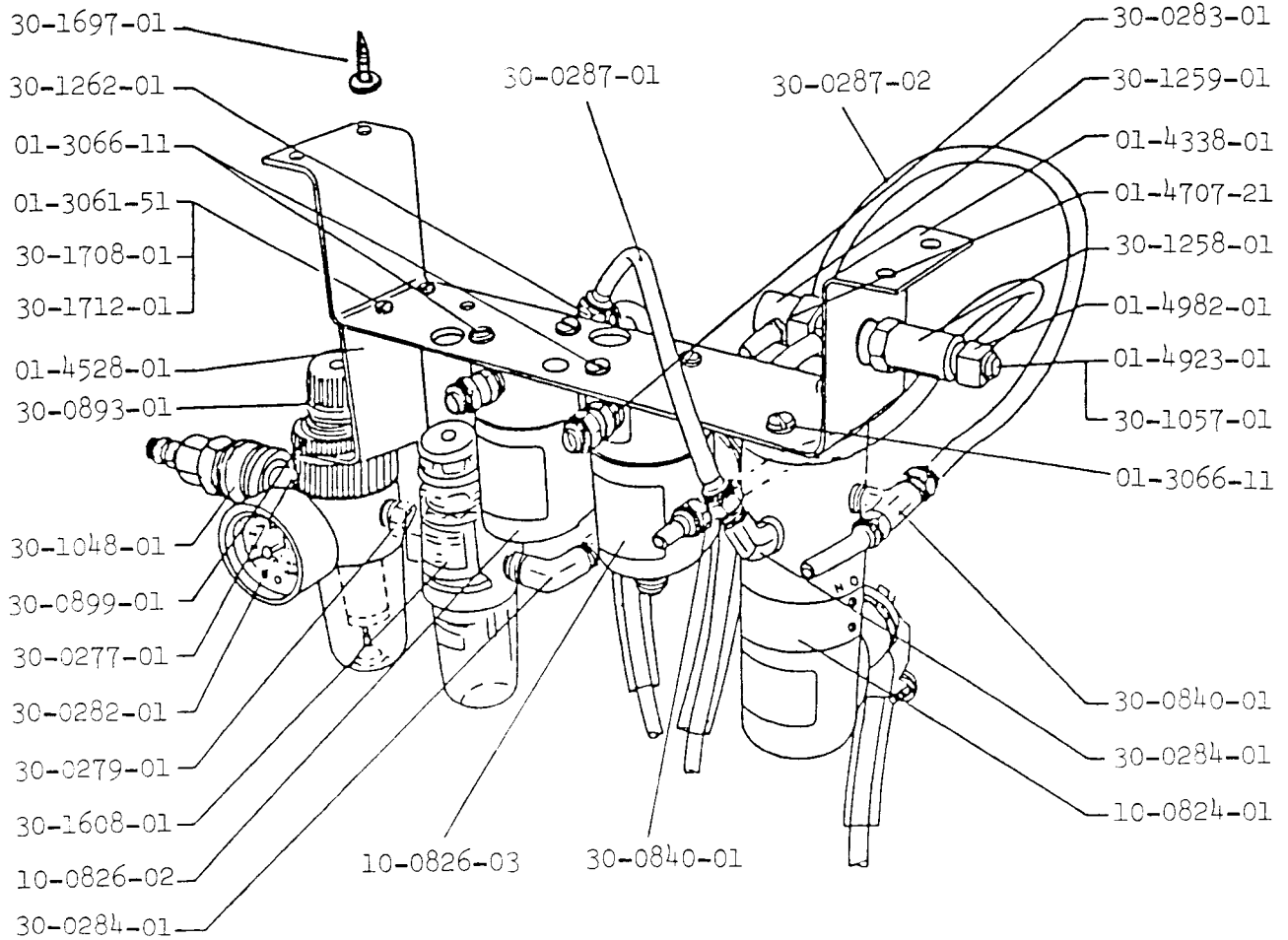
No.	212U442-01 -11- -21	Description
01-1622-17	* * *	Spacer - Drive Arm
01-3061-31	* * *	Screw - Polytubing (2)
01-3061-41	* * *	Screw - Blower Tube Mounting
01-3061-51	* * *	Screw - Bracket (#10-32x1/2) (2)
01-3661-01	* * *	Pin - Cylinder Mount
01-3699-01	* * *	Block - Blower Tube Mounting
01-4923-01	* * *	Screw - Universal Elbow or Tee (.078") (2)
01-4923-01	* * *	Screw - Universal Elbow or Tee (.078") (3)
01-4961-01	* * *	Arm - Blade Drive
01-4981-01	* * *	Tee
01-4981-01	* * *	Tee - Universal
01-4982-01	* * *	Elbow
01-4982-01	* * *	Elbow - Universal (2)
01-6208-01	* * *	Clamp - Polytubing (2)
01-6238-02	* * *	Trapper (1/4")
01-6278-01	* * *	Spacer - Lower Blade
01-6279-01	* * *	Pin - Connecting
01-6280-01	* * *	Bracket - Cylinder Mount
01-6281-01	* * *	Blade - Lower (1/4")
01-6282-01	* * *	Guide Plate Lower (1/8" - 3/8")
01-6284-01	* * *	Bracket - Air Valve Mount
01-6285-01	* * *	Bracket - Thread Puller Actuate Lever
01-6287-01	* * *	Body - Air Cylinder
01-6288-01	* * *	Bearing - Air Cylinder Shaft
10-0278-02	* * *	Fork and Pin Assembly - Blade Drive
10-0380-02	* * *	Bobbin Thread Puller (1/4")
10-0771-02	* * *	Piston and Shaft Assembly
10-0793-01	* * *	Blower Tube Assembly
10-0807-05	* * *	Limit Valve Assembly 01-4923-01, 01-4981-01, 01-4982-01, 30-1057-01, 30-1259-01
30-0813-01	* * *	"O" Ring
30-0813-01	* * *	"O" Ring (2)
30-0864-01	* * *	Tubing - Clamp (3/8") (4)
30-1038-01	* * *	Screw - Connecting Pin
30-1051-01	* * *	"U" Cup - Shaft
30-1057-01	* * *	Gasket - Air Fitting (4)
30-1057-01	* * *	Gasket - Universal Elbow or Tee (6)
30-1236-01	* * *	Tie - Tubing
30-1259-01	* * *	Air Valve (4 Way)
30-1629-01	* * *	"U" Cup - Piston (2)
30-1673-01	* * *	Screw - Guide Plate (3)
30-1674-01	* * *	Screw - Bearing Bracket (2)
30-1701-01	* * *	Screw - Driver Arm
30-1702-01	* * *	Screw - Blower Tube Mounting
30-1705-01	* * *	Screw - Lower Air Cylinder
80-0342-01	* * *	Lower Machine Assembly 01-1622-17, 01-3061-31 (2), 01-3061-41, 01-3061-51 (2), 01-3661-01, 01-3699-01, 01-4923-01 (5), 01-4961-01, 01-4981-01 (2), 01-4982-01 (3), 01-6208-01, 01-6238-02, 01-6278-01, 01-6279-01, 01-6280-01, 01-6281-01, 01-6282-01, 01-6284-01, 01-6285-01, 10-0278-02, 10-0380-02, 10-0793-01, 10-0807-05, 30-0813-01 (3), 30-0864-01 (4), 30-1038-01, 30-1057-01 (10), 30-1236-01, 30-1673-01 (3), 30-1674-01 (2), 30-1675-01, 30-1701-01, 30-1702-01, 30-1705-01, 80-0344-01
80-0344-01	* * *	Air Cylinder 01-6287-01, 01-6288-01, 10-0771-02, 30-1051-01, 30-1629-01 (2)



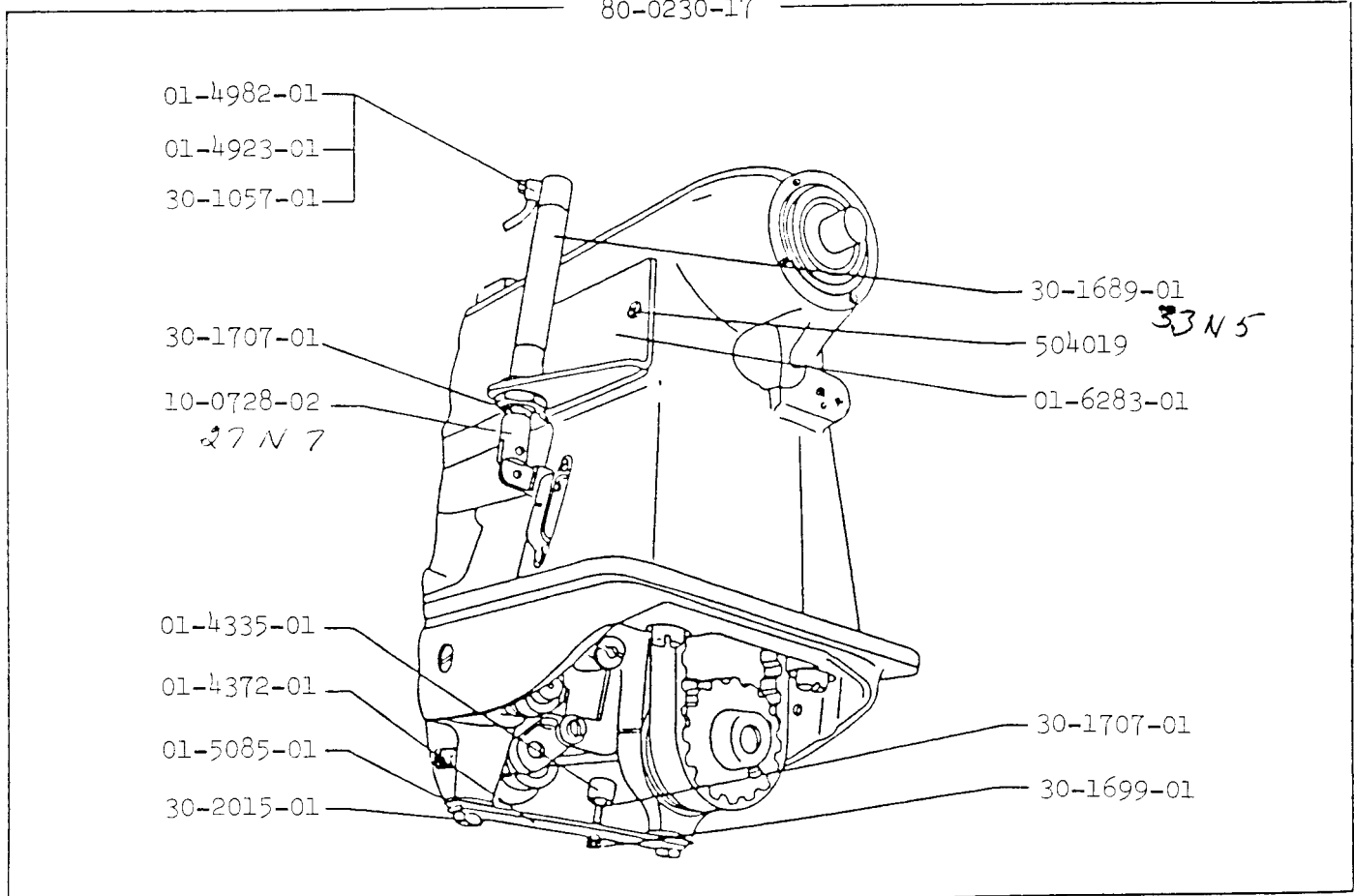
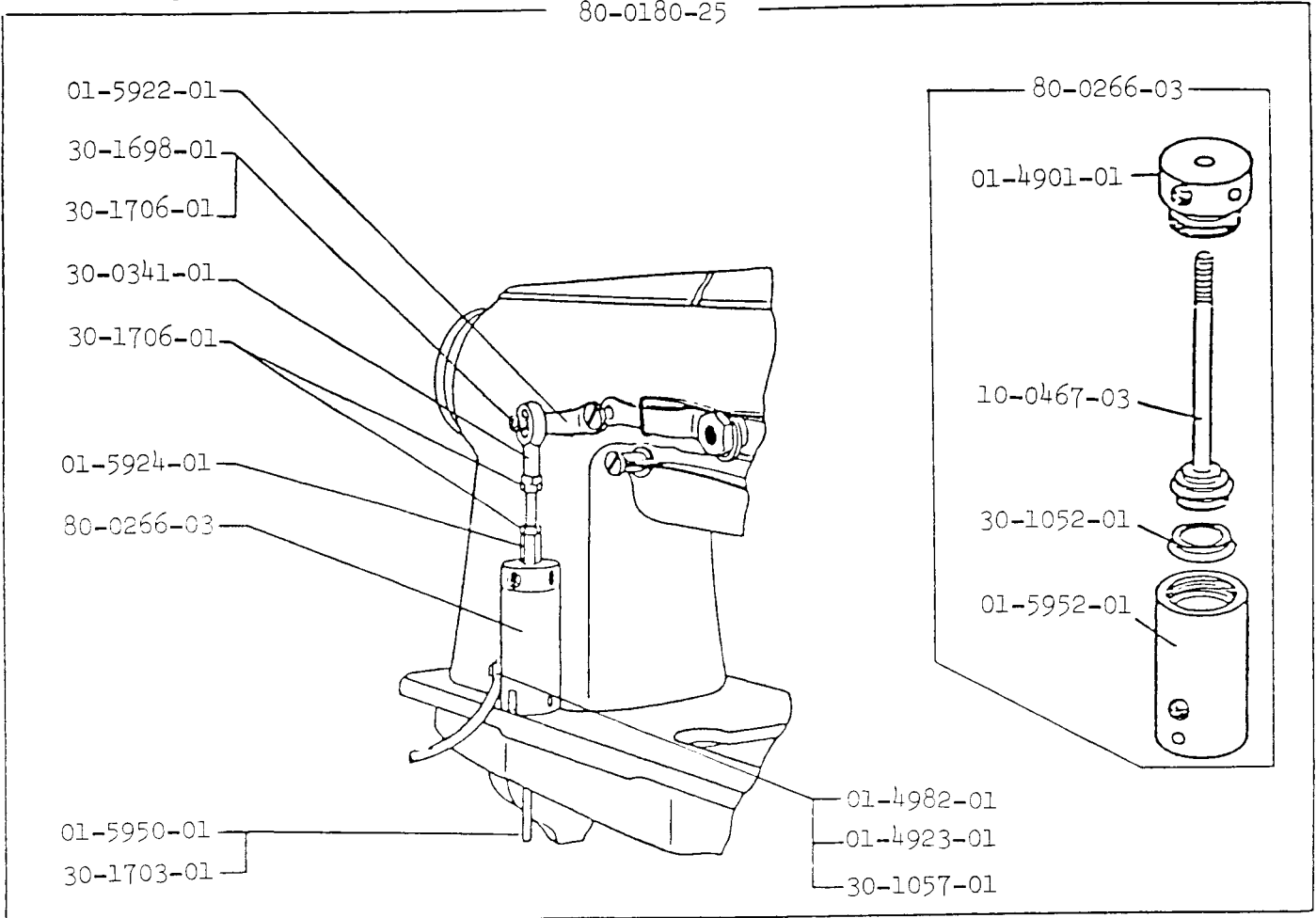
No.	212U442-01 -11 -21	Description
01-3061-51	* * *	Screw - Mounting Bracket (2)
01-4528-01	* * *	Bracket - Regulator Mounting
01-4707-21	* * *	Fitting (.078) (3)
01-4923-01	* * *	Screw - Elbow (.078)
01-4982-01	* * *	Elbow
01-5755-01	* * -	Bracket - Pilot Valve Mounting
01-6186-01	* * -	Bracket - Valve Mounting (Solenoid)
10-0824-01	* * *	Solenoid Air Valve Assembly (4 way)
30-0277-01	* * *	Quick Disconnect - Male
30-0279-01	* * *	Hex. Nipple
30-0282-01	* * *	Gage (0-160 psi)
30-0283-01	* * *	Tube Fitting
30-0287-01	* - -	Tubing Red - Polyflo
30-0287-02	* * *	Tubing Yellow - Polyflo (1=6")
30-0840-01	* * *	Tee - Male Branch (2)
30-0893-01	* * *	Filter and Regulator 30-1085-01, 30-1108-01, 30-1160-01, 30-1156-01
30-0899-01	* * *	Nut - Bracket Mount
30-1048-01	* * *	Quick Disconnect - Female
30-1057-01	* * *	Gasket - #10-32 Fitting (2)
30-1085-01	* * *	Bowl
30-1108-01	* * *	Filter Element 5 Micron
30-1156-01	* * *	Filter Repair Kit
30-1160-01	* * *	Bonnet
30-1258-01	* * *	Pilot Actuator
30-1259-01	* * *	Pilot Valve
30-1561-01	* * *	Bowl
30-1608-01	* * *	Oiler 30-1561-01, 30-1609-01, 30-1610-01
30-1609-01	* * *	Feed Dome
30-1610-01	* * *	Repair Kit All Seals (3)
30-1697-01	* * *	Screw - Bracket to Table Mount (2)
30-1697-01	* * *	Screw - Bracket to Table Mount (2)
81-0402-01	* * *	Air Valve Assembly 01-3061-51 (2), 01-4528-01, 01-4707-21 (3), 01-4923-01, 01-4982-01, 01-5755-01, 01-6186-01, 10-0824-01, 30-0277-01, 30-0279-01, 30-0282-01, 30-0283-01, 30-0287-01, 30-0287-02, 30-0840-01 (2), 30-0893-01, 30-0899-01, 30-1048-01, 30-1057-01 (2), 30-1258-01, 30-1259-01, 30-1608-01, 30-1697-01



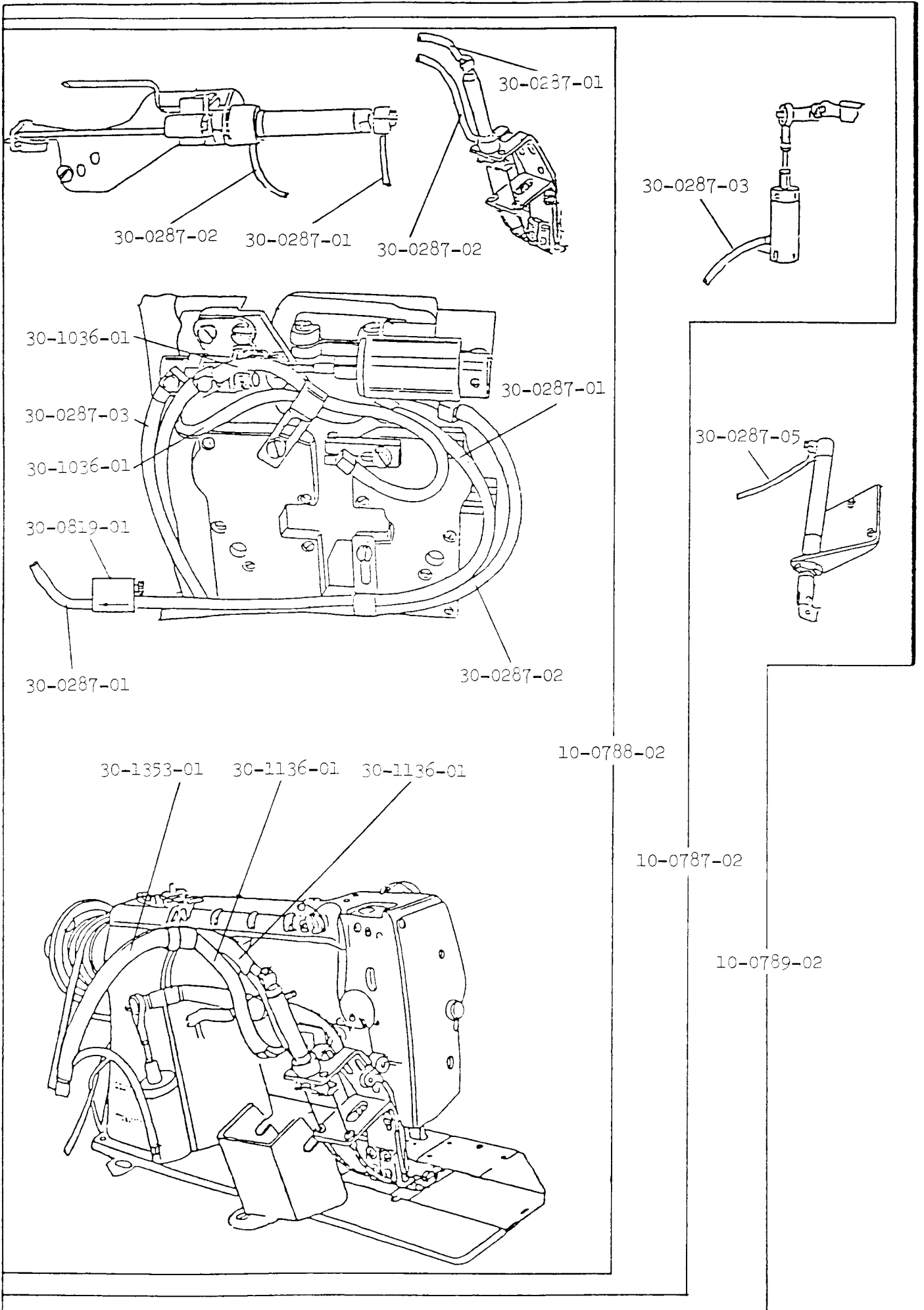
No.	212U442-01 -11 -21	Description
01-3061-51	***	Screw - Mounting Bracket (2)
01-3066-11	***	Screw - Mounting Bracket (2)
01-3066-11	-**	Screw - Mounting Bracket (2)
01-4528-01	***	Bracket - Regulator Mounting
01-4707-21	***	Fitting (.078) (3)
01-4923-01	***	Screw - Elbow (.078)
01-5755-01	**-	Bracket - Pilot Valve Mounting
01-6186-01	***	Bracket - Valve Mounting
10-0824-01	***	Solenoid Air Valve Assembly (4 way)
10-0826-02	-**	Solenoid Air Valve Assembly (3 way)
30-0277-01	***	Quick Disconnect - Male
30-0279-01	***	Hex, Nipple
30-0282-01	***	Gage (0-160 psi)
30-0283-01	***	Tube Fitting
30-0283-01	-**	Tube Fitting
30-0284-01	-**	Elbow
30-0287-01	-*-	Tubing Red - Polyflo
30-0287-02	***	Tubing Yellow - Polyflo (1=6")
30-0840-01	***	Tee - Male Branch (2)
30-0840-01	-**	Tee - Male
30-0893-01	***	Filter and Regulator 30-1085-01, 30-1108-01, 30-1160-01, 30-1156-01
30-0899-01	***	Nut - Bracket Mount
30-1048-01	***	Quick Disconnect - Female
30-1057-01	***	Grsket - #10-32 Fitting (2)
30-1085-01	***	Bowl
30-1108-01	***	Filter Element 5 Micron
30-1156-01	***	Filter Repair Kit
30-1160-01	***	Bonnet
30-1258-01	***	Pilot Actuator
30-1259-01	***	Pilot Valve
30-1561-01	***	Bowl
30-1608-01	***	Oiler 30-1561-01, 30-1609-01, 30-1610-01
30-1609-01	***	Feed Dome
30-1610-01	***	Repair Kit All Seals (3)
30-1697-01	***	Screw - Bracket to Table Mount (2)
30-1097-01	***	Screw-Bracket to Table Mount (2)
81-0402-02	-*-	Air Valve Assembly 01-3061-51 (2), 01-3066-11 (2), 01-4528-01, 01-4707-21 (3), 01-4923-01, 01-5755-01, 01-6186-01, 10-0824-01, 10-0826-03, 30-0277-01, 30-0279-01 (2), 30-0282-01, 30-0283-01 (2), 30-0284-01, 30-0287-01, 30-0287-02, 30-0840-01 (3), 30-0893-01, 30-0899-01, 30-1048-01, 30-1057-01 (2), 30-1258-01, 30-1259-01, 30-1608-01, 30-1697-01-(4)



No	212U442-01 -11 -21	Description
01-3061-51	***	Screw - Mounting Bracket (2)
01-3066-11	***	Screw - Mounting Bracket (2)
01-3066-11	-**	Screw - Mounting Bracket (2)
01-3066-11	-*-	Screw - Mounting Bracket (2)
01-4338-01	***	Bracket - Volve Mounting
01-4528-01	***	Bracket - Regulator Mounting
01-4707-21	***	Fitting (.078) (3)
01-4923-01	***	Screw - Elbow (.078)
01-4982-01	***	Elbow
10-0824-01	***	Solenoid Air Valve Assembly (4 way)
10-0826-02	-**	Solenoid Air Valve Assembly (3 way)
10-0826-03	-*-	Solenoid Air Valve Assembly (3 way)
30-0277-01	***	Quick Disconnect - Make
30-0279-01	***	Hex. Nipple (2)
30-0282-01	***	Gage (0-160 psi)
30-0283-01	***	Tube Fitting
30-0283-01	-**	Tube Fitting
30-0283-01	-*-	Tube Fitting
30-0284-01	-**	Elbow
30-0287-01	-*-	Tubing Red - Polyflo (1=20")
30-0287-02	***	Tubing Yellow - Polyflo (1=6")
30-0840-01	***	Tee - Male Branch (2)
30-0840-01	-**	Tee - Male
30-0893-01	***	Filter and Regulator 30-1085-01, 30-1108-01, 30-1160-01, 30-1156-01
30-0899-01	***	Nut - Bracket Mount
30-1048-01	***	Quick Disconnect - Female
30-1057-01	***	Gasket - #10-32 Fitting (2)
30-1085-01	***	Bowl
30-1108-01	***	Filter Element 5 Micron
30-1156-01	***	Filter Rubber Kit
30-1160-01	***	Bonnet
30-1258-01	***	Pilot Actuator
30-1259-01	***	Pilot Valve
30-1262-01	-*-	Tee - Male Run
30-1561-01	***	Bowl
30-1608-01	***	Oiler 30-1561-01, 30-1609-01, 30-1610-01
30-1609-01	***	Feed Dome
30-1610-01	***	Repair Kit All Seals (3)
30-1697-01	***	Screw - Bracket to Table Mounting (4)
30-1708-01	-*-	Nut - Regulator Mounting Bracket (2)
30-1712-01	-*-	Washer - Regulator Mounting Bracket (2)
81-0419-01	-*-	Air Valve Assembly 01-3061-51 (2), 01-3066-11 (6), 01-4258-01, 01-4707-21, 01-4923-01, 01-4982-01, 01-5755-01, 10-0824-01, 10-0826-03, 10-0286-03, 30-0277-01, 30-0279-01 (2), 30-0282-01, 30-0283-01 (3), 30-0284-01, 30-0287-01, 30-0287-02, 30-0840-01 (3), 30-0893-01, 30-0899-01, 30-1048-01, 30-1057-01, 30-1258-01, 30-1259-01, 30-1262-01, 30-1608-01, 30-1697-01 (4), 30-1708-01, 30-1712-01

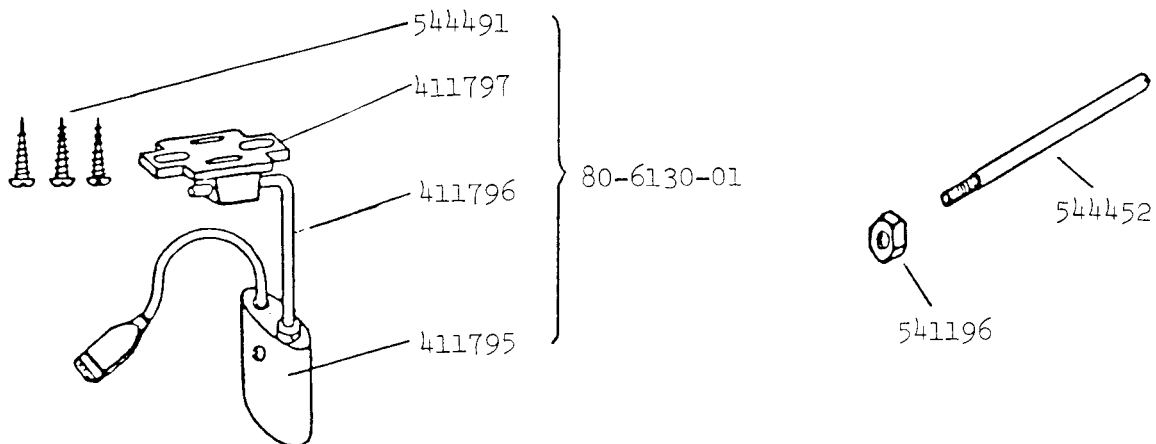
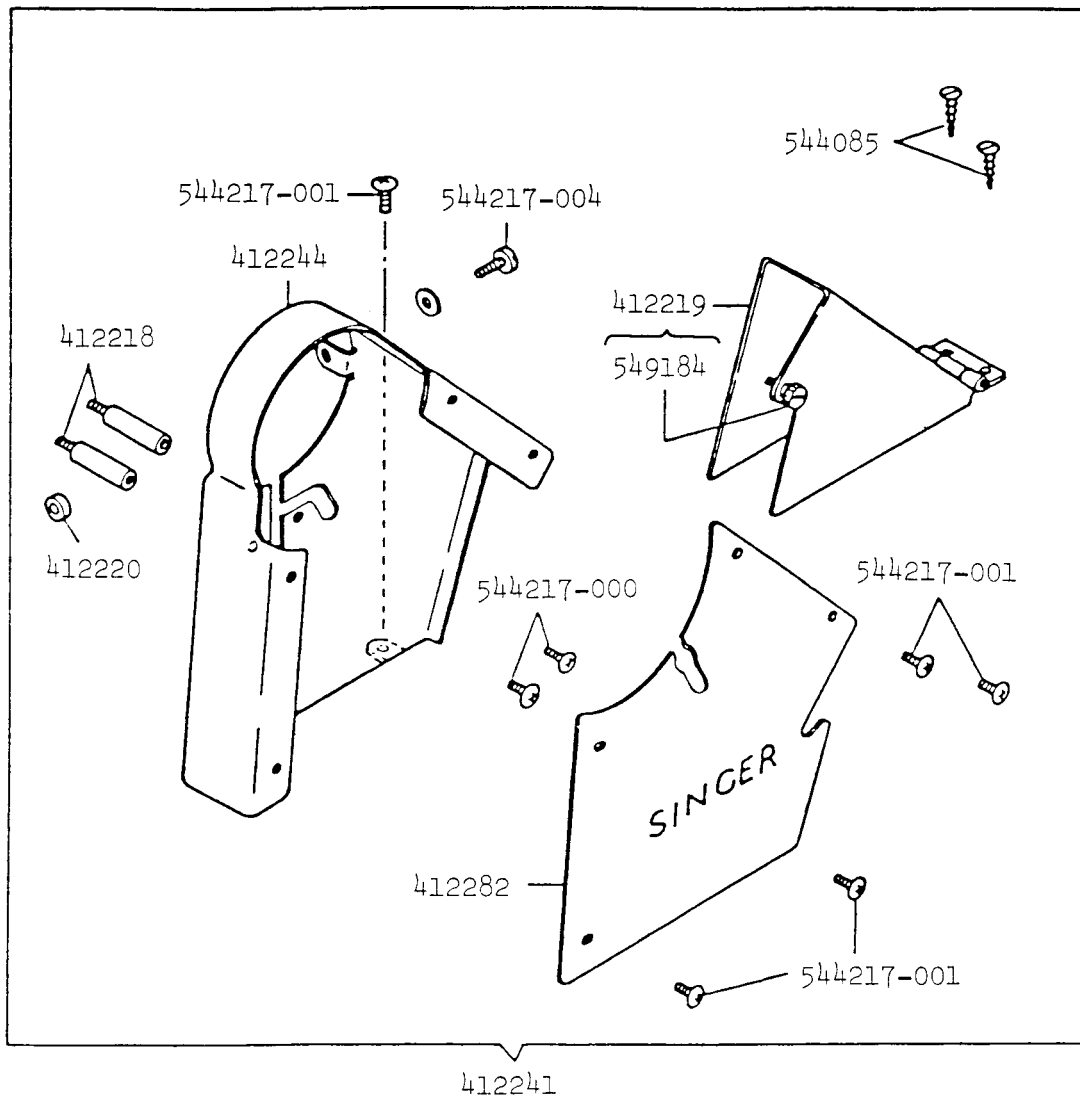


No.	212U442-01 -11 -21	Description
01-4335-01	- - *	Cap - Reverse Feed Stop
01-4372-01	- - *	Bracket - Reverse Feed Stop
01-4901-01	- * *	Cap - Cylinder
01-4923-01	- * *	Screw - Elbow
01-4923-01	- - *	Screw - Elbow
01-4982-01	- * *	Elbow
01-4982-01	- - *	Elbow
01-5058-01	- - *	Spacer - Reverse Feed Stop (2)
01-5922-01	- * *	Bracket
01-5924-01	- * *	Nut - Bracket Hook Mounting
01-5950-01	- * *	Rod - Air Cylinder
01-5952-01	- * *	Body - Air Cylinder
01-6283-01	- - *	Bracket - Air Cylinder
10-0467-03	- * *	Piston Shaft Assembly
10-0728-02	- - *	Roller Assembly
30-0341-01	- * *	Clevis
30-1052-01	- * *	"U" Cup Packing
30-1057-01	- * *	Gasket (2)
30-1057-01	- - *	Gasket (2)
30-1689-01	- - *	Air Cylinder
30-1698-01	- * *	Screw - Bearing-clevis
30-1699-01	- - *	Screw - Arm Stroke Adjustment
30-1703-01	- * *	Screw - Adapter or Rod Mounting
30-1706-01	- * *	Nut - Clevis or Rod End Lock (2)
30-1706-01	- * *	Nut - Clevis or Rod End Lock
30-1707-01	- - *	Nut - Cylinder Arm-stop Stud
30-1707-01	- - *	Nut - Cylinder Arm-stop Stud (2)
30-2015-01	- - *	Screw (2)
504019	- - *	Reverse Feed Cylinder Mounting Bracket Screw (2)
80-0180-25	- * *	Air Operated Footlifter Complete 01-4923-01, 01-4982-01, 01-5922-01, 01-5924-01, 01-5950-01, 30-0341-01, 30-1057-01, 80-0266-03, 30-1698-01, 30-1703-01, 30-1706-01 (3)
80-0230-17	- - *	Reverse Feed Cylinder Assembly 01-4335-01, 01-4372-01, 01-4923-01, 01-4982-01, 01-5085-01, 01-6283-01, 10-0728-02, 30-1057-01, 30-1689-01, 30-1699-01, 30-1707-01 (3), 30-2015-01, 504019 (2)
80-0266-03	- * *	Air Cylinder Complete 01-4901-01, 01-5952-01, 10-0467-03, 30-1052-01



No.	212U442-01 -11 -21	Description
10-0787-02	- * -	Tubing List - Air With Foot Lifter 30-0287-01 (4), 30-0287-02 (3) 30-0287-03 (2), 30-1036-01 (2), 30-1136-01 (2), 30-1353-01
10-0788-02	* - -	Tubing List - Air Without Foot Lifter 30-0287-01 (4), 30-0287-02 (3), 30-1036-01 (2), 30-1136-01 (2), 30-1353-01
10-0789-02	- - *	Tubing List - Air With Foot Lifter & Auto-Backtack 30-0287-01 (4), 30-0287-02 (3), 30-0287-03 (2), 30-0287-05, 30-1036-01 (2), 30-1136-01 (2), 30-1353-01
30-0287-01	* * *	Tubing Red - Polyflo (1=18")
30-0287-01	* * *	Tubing Red - Polyflo (1=36")
30-0287-01	* * *	Tubing Red - Polyflo (1=48")
30-0287-01	* * -	Tubing Red - Polyflo (1=48")
30-0287-01	- - *	Tubing Red - Polyflo (1=60")
30-0287-02	* * -	Tubing Yellow - Polyflo (1=36")
30-0287-02	- - *	Tubing Yellow - Polyflo (1=48")
30-0287-02	* * -	Tubing Yellow - Polyflo (1=48")
30-0287-02	* * -	Tubing Yellow - Polyflo (1=48")
30-0287-02	- - *	Tubing Yellow - Polyflo (1=60")
30-0287-02	- - *	Tubing Yellow - Polyflo (1=60")
30-0287-03	- * *	Tubing White - Polyflo (1=48")
30-0287-03	- * *	Tubing White - Polyflo (1=60")
30-0287-05	- - *	Tubing Blue - Polyflo (1=60")
30-0819-01	* * *	Flow Control Valve
30-1036-01	* * *	Tubing Gray - Vinyl (1=7")
30-1036-01	* * *	Tubing Gray - Vinyl (1=9")
30-1136-01	* * *	Tubing - Harness - Black (.62"x6")
30-1136-01	* * *	Tubing - Harness - Black (.62"x9")
30-1353-01	* * *	Tubing - Harness - Black (.75"x32")

OPTIONAL PARTS



No.	212U442-01 -11 -21 212U141	Description
80-6130-01 411795 411796 411797 541196 544452	* * * - * * * - * * * - * * * - * * * - * * * -	Knee Switch Complete 411795, 411796, 411797, 544491 (3) Knee Switch Knee Switch Arm Knee Switch Bracket Needle Positioner Stabilizer Lock Nut Needle Positioner Stabilizer
<u>OPTION</u>		
412218 412219 412220 412241 412244 412282 544085 544217-001 544217-001 544217-004 549184	* * * * * * * * * * * * * * * - * * * - * * * - *	Belt Guard Screw Stud (2) Belt Guard (lower) with 549184 Belt Guard Screw Collar Belt Guard Cpl. 412220, 442241, 442244, 412218 (2), 412219, 544085 (2), 544217-001 (7), 544217-004 Belt Guard Belt Guard Plate Belt Guard (lower) Wood Screw (2) Belt Guard Screw (3) Belt Guard Plate Screw (4) Belt Guard Screw (long) Belt Guard (lower) Thumb Screw

