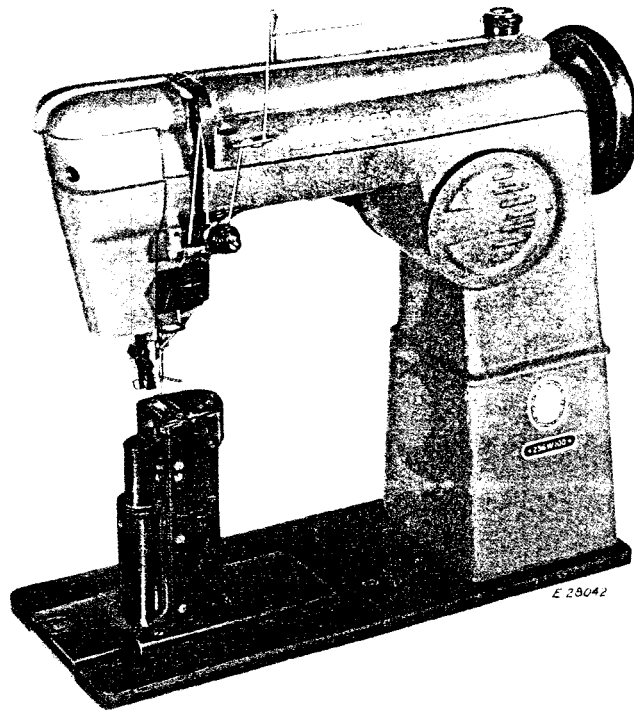


SERVICE MANUAL
AND
PARTS LIST
FOR
SINGER 236w**



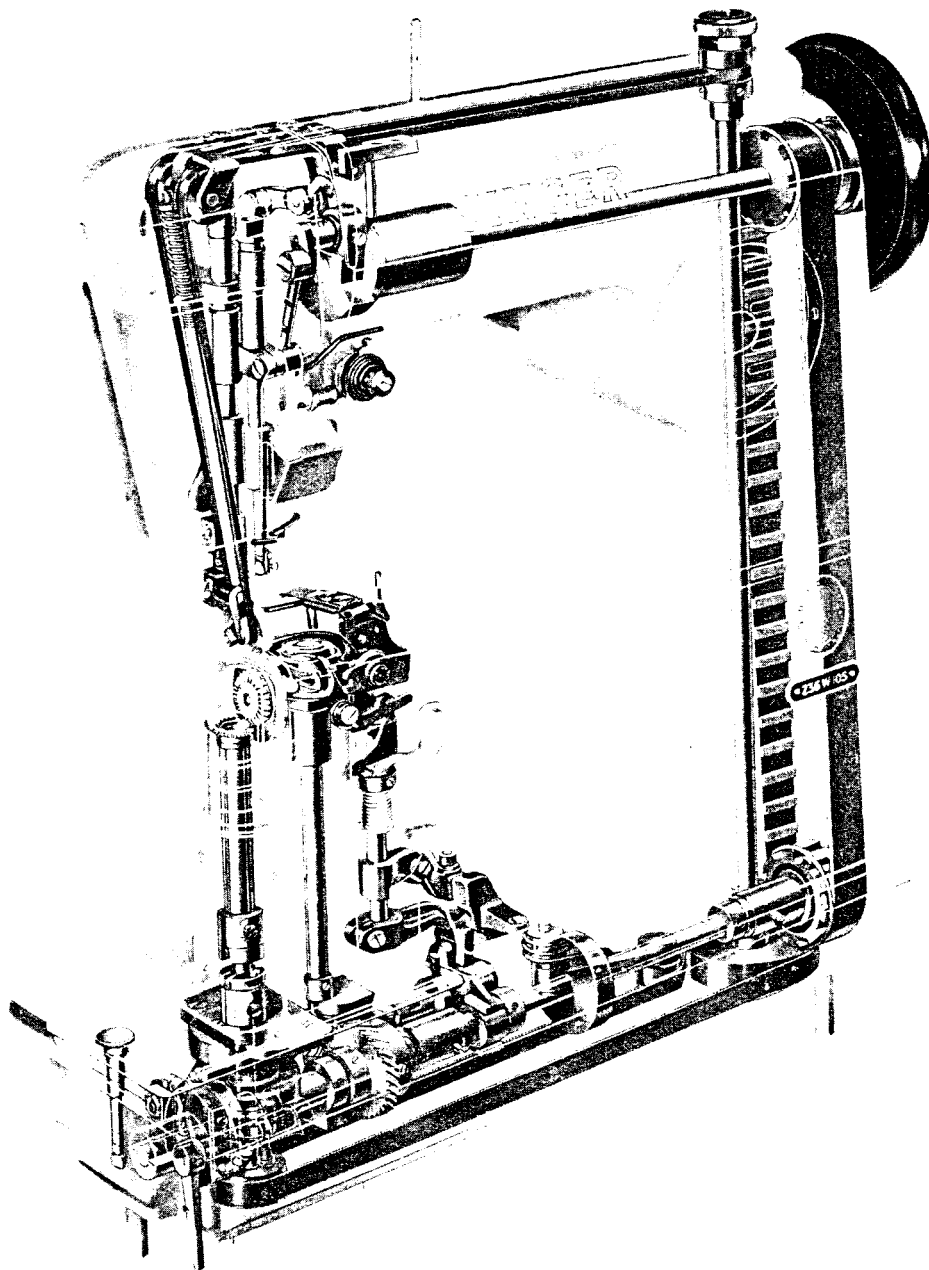
Post Bed

**High Speed
Single Needle**

**Lock Stitch
Roller Presser**

THE SINGER MANUFACTURING COMPANY

Copyright © 1959 by The Singer Manufacturing Company



FOREWORD

This book contains complete information covering operation, adjustment, parts list, attachments and special fittings for the 236W Class Machines. Descriptions and exploded views of all parts assemblies on pages 15 to 103 inclusive will be found helpful when ordering any part of the machine requiring renewal.

DESCRIPTION

Machines of Class 236W, for stitching shoes, sandals, slippers etc., have the following characteristics:

Single Needle Lock Stitch.

Ball Bearing Feed Wheel.

Belt Driven Roller Presser.

Vertical Axis Hook with Metered Lubrication.

Hook Driving Gears and Feed Clutch which operate in an Oil Bath.

Needle Bar Stroke 1-7/16 inches.

Clearance under Roller Presser 5/16 inch.

Bed 16¾ inches long, 7 inches wide.

Post 6-5/8 inches high, 1-7/8 x 2 inches at top.

Improved Mechanical Bobbin Case Opener.

Speed up to 3000 R.P.M., depending on material being stitched.

Machine Pulley with outside diameter of 5¼ inches. Belt groove diameter 2.9 inches, for 3/8 inch V-belt.

Machine 236W100 is a single needle, lock stitch, post bed machine, for stitching the edges of shoes, sandals, slippers, etc.

It has an intermittent ball bearing feed wheel which is adjustable for wear. The feed wheel operates in conjunction with the roller presser, both being driven by a "HORTON" type clutch.

The roller presser can be adjusted to drive at a different rate of speed than the feed wheel to control the feeding of plies of material.

Machine 236W104 is the same as Machine 236W100 except that it has a Horizontal Undertrimmer suspended from the arm which is mechanically driven by a one to one gear drive. The trimmer speed is dependent upon the machine speed.

Machine 236W105 is the same as Machine 236W100 except that it has a Horizontal Undertrimmer mechanically driven from the bed of the machine by a one to one eccentric drive. The trimmer speed is dependent upon the machine speed.

Machine 236W110 is the same as 236W100 except that it has an Oblique Underedge Trimmer which is driven by an Independent Motor in the arm of the machine. The Trimmer speed is constant and independent of the machine speed. The knife can be thrown into or out of action at the will of the operator without stopping the machine.

The trimmer motor is furnished for alternating current. Before connecting the motor to the electric service line, be sure that the markings on the motor correspond to those on the service watt meter.

Machine 236W111 is the same as 236W100 except that it has a Horizontal Undertrimmer which is driven by an Independent Motor in the bed of the machine. The trimmer speed is constant and independent of the machine speed. The knife can be thrown into or out of action at the will of the operator without stopping the machine.

The trimmer motor is furnished for alternating current. Before connecting the motor to the electric service line, be sure that the markings on the motor correspond to those on the service watt meter.

Machine 236W112 is the same as 236W100 except that it has a Horizontal Undertrimmer suspended from the arm which is driven by an Independent Motor in the arm of the machine. The trimmer speed is constant and independent of the machine speed. The knife can be thrown into or out of action at the will of the operator without stopping the machine.

The trimmer motor is furnished for alternating current. Before connecting the motor to the electric service line, be sure that the markings on the motor correspond to those on the service watt meter.

TO OIL THE MACHINE

When the machine is received from the factory, it should be thoroughly cleaned and oiled.

Use "TYPE A" or "TYPE C" oil, sold by Singer Sewing Machine Company. See inside front cover of this book for description of these oils.

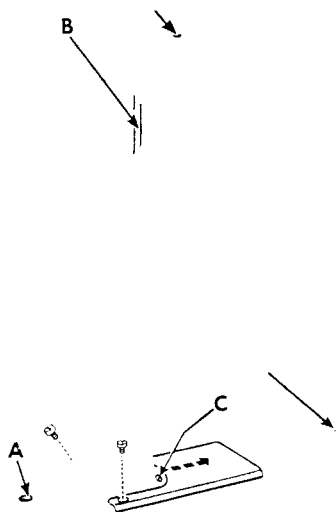


Fig. 2

Before starting machine, fill oil reservoir until the oil level is between the two marks on dip stick A, Fig. 2.

NOTE: This method of filling reservoir with correct amount of oil also applies to machines set in an oblique position.

Oil the wick of the needle bar connection link through the take-up slot B.

Also apply oil to the places indicated by the unlettered arrows in Fig. 2.

NOTE: When machine is in continuous use, check the oil level in the reservoir at least twice daily.

Every few weeks apply oil to the bobbin winder spindle. See Fig. 5.

TO REGULATE THE OIL FLOW TO THE HOOK POST

The amount of oil received by the hook post is regulated by screw C, Fig. 2.

To regulate, remove the two screws in the base cover and slide the hook post base cover to the right as shown in Fig. 2. For full lubrication, turn screw C in as far as it will go. For less lubrication, turn screw C out. For most types of sewing, keep screw C one full turn out.

SPEED

Machines of Class 236W will run at speeds up to 3000 revolutions per minute, but it is advisable to run a new machine at a more moderate speed for the first few days.

NEEDLES

Needles for 236W Machines are of Class and Variety 128 x 6, and are made in Sizes 10, 11, 12, 13, 14, 15, 16, 18, 20, 22, 23 and 24.

The size of the needle to be used should be determined by the size of the thread which must pass freely through the eye of the needle. Rough or uneven thread or thread which passes with difficulty through the eye of the needle will interfere with the successful use of the machine.

Orders for needles must specify the Quantity required, the Size number, and the Class and Variety numbers separated by an x.

For example: "100 No. 14, 128 x 6 Needles"

NOTE: When ordering leather point needles, indicate point style desired, otherwise needles will be furnished with standard point style "reverse twist".

The best results will be obtained by using the needles sold by Singer Sewing Machine Company.

THREAD

Left twist thread should be used in the needle. Either right or left twist can be used in the bobbin.

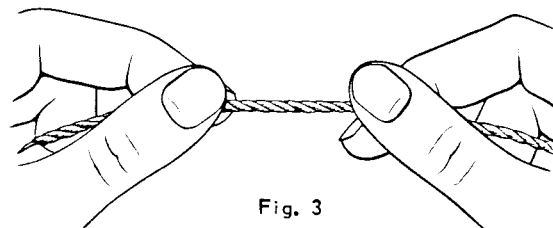


Fig. 3

TO DETERMINE THE THREAD TWIST

Hold the thread as shown above. Turn the thread over toward you between the thumb and forefinger of the right hand. If left twist, the strands will wind tighter; if right twist, the strands will unwind.

TO REMOVE THE BOBBIN

Remove slide plate from top of post. Turn machine pulley over toward operator until needle bar moves up to its highest point. Place thumb or forefinger under projection E, Fig. 4, then lift out bobbin case cap and remove bobbin.

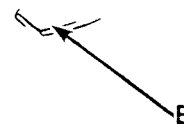


Fig. 4

TO WIND THE BOBBIN

Place the bobbin on the bobbin winder spindle **J**, Fig. 5 and push it on as far as it will go. Next pass the thread through the thread guide **1** in the tension bracket and around the back of and between the tension discs **2**. Then wind the thread around the

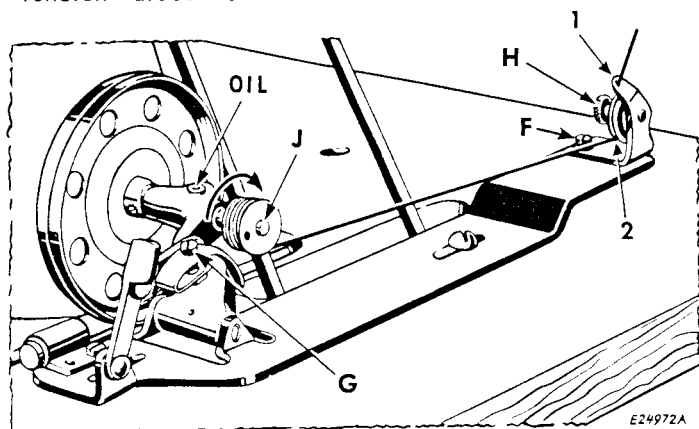


Fig. 5 Winding the Bobbin

bobbin a few times in the direction of the arrow. (When winding a fine thread, use a light tension.) Tension can be adjusted by turning the nut **H**. Push the bobbin winder pulley over against the machine belt and start the machine.

If the thread does not wind evenly on the bobbin, loosen screw **F** and move the tension bracket to the right or left as required, then tighten screw **F**.

The amount of thread wound on the bobbin is determined by screw **G**. To wind more thread, turn the screw in; for less thread, turn the screw out. When enough thread has been wound on the bobbin, the winder will stop automatically. Bobbins can be wound while the machine is stitching.

TO THREAD THE BOBBIN CASE CAP

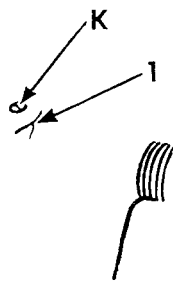


Fig. 6

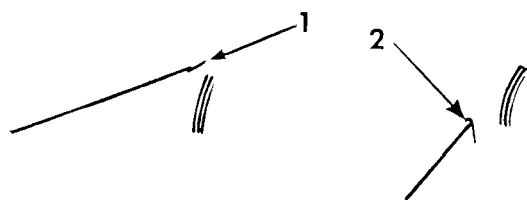


Fig. 7

Fig. 8

Hold bobbin and bobbin case cap as shown in Fig. 6. Be sure slot **1** is near the top and that the bobbin thread draws on the bottom from right to left.

Place bobbin into bobbin case cap. Pull thread into slot **1**, as shown in Fig. 7, then down and under tension spring **2**, as shown in Fig. 8.

TO REPLACE THE BOBBIN CASE CAP

After threading, place cap (containing bobbin) on center stud of bobbin case base. Be sure projection **E** is in the position shown in Fig. 9. Lead thread out through slot as shown. Push down latch **L** and then replace slide plate.

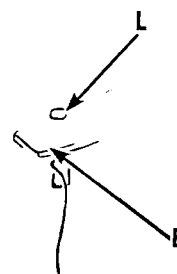


Fig. 9

TO SET THE NEEDLE

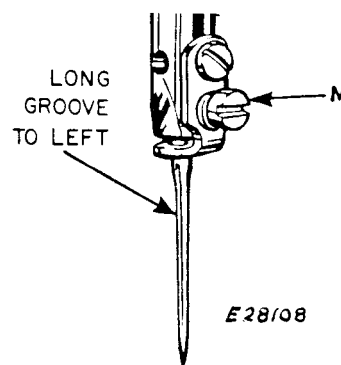


Fig. 10

Turn the machine pulley over toward you until the needle bar reaches its highest point. Loosen set screw **M** and put the needle up into the bar as far as it will go, with the long groove to the left and the needle eye in line with the arm of the machine. Then tighten set screw **M**.

UPPER THREADING

From the unwinder, pass the thread from back to front through hole 1, from right to left through hole 2, down through hole 3, up through hole 4, down through hole 5, down under from right to left between tension discs 6, up under controller spring 7, until it enters retaining fork 8, up and over thread guide 9, from right to left through hole 10, down and over thread guide 11, into thread retainer 12, through thread lubricator 13, down through thread guides 14 and 15 and from left to right through eye of needle 16.

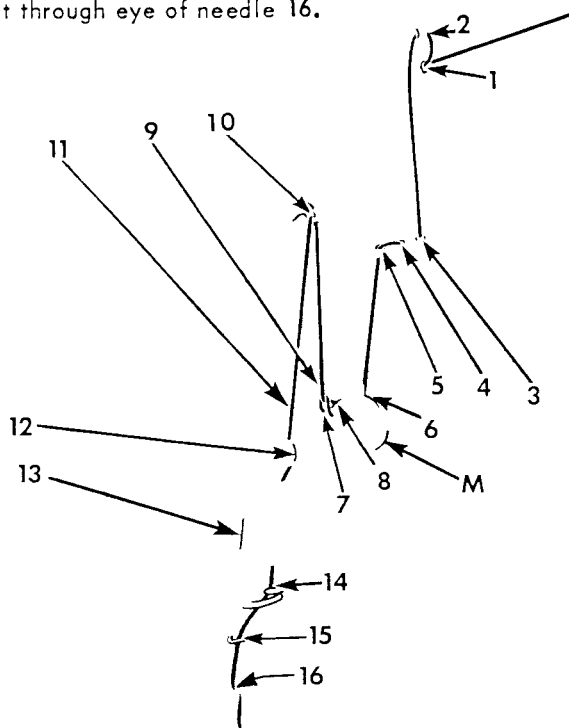


Fig. 11

Draw about three inches of thread through eye of needle with which to start sewing.

TO PREPARE FOR SEWING

With the left hand, hold the end of the needle thread, leaving it slack from hand to needle. Turn machine pulley over toward you until needle moves down and up again to its highest point, catching the bobbin thread. Draw up the needle thread and the bobbin thread will come with it through hole in throat plate. Lay both threads back under the roller presser.

TO START SEWING

Place the material under the roller presser, lower the roller presser and start to sew. Hold threads until the first stitch is made.

TO REMOVE THE WORK

Stop machine with thread take-up lever at its highest point, raise roller presser, draw work back and cut threads close to the work.

TENSIONS

The needle and bobbin threads should be locked in the center of the thickness of the material as shown in Fig. 12.

RIGHT



Fig. 12

If the tension on the needle thread is too tight, or if that on the bobbin thread is too loose, the needle thread will lie straight along the upper surface of the material as shown in Fig. 13.

WRONG



Fig. 13

If the tension on the bobbin thread is too tight, or if that on the needle thread is too loose, the bobbin thread will lie straight along the under side of the material as shown in Fig. 14.

WRONG

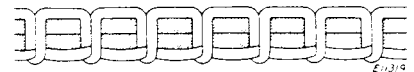


Fig. 14

TO REGULATE THE TENSION

The tension on the needle thread is regulated by thumb nut **M**, Fig. 11. To increase the tension, turn thumb nut **M** over to the right. To decrease the tension, turn the thumb nut over to the left.

The tension on the bobbin thread is regulated by screw **K**, Fig. 6. To increase the tension, turn screw **K** over to the right. To decrease the tension, turn the screw over to the left.

TO CHANGE THE LENGTH OF STITCH

With the left hand push lever **P**, Fig. 15 back away from operator and at the same time turn machine pulley over toward operator until latch **Q** enters a notch in the adjustable feed driving eccentric **R**. Still holding lever **P**, turn machine pulley until the desired number of stitches per inch is shown in stitch length indicator **S**, then release lever **P**.

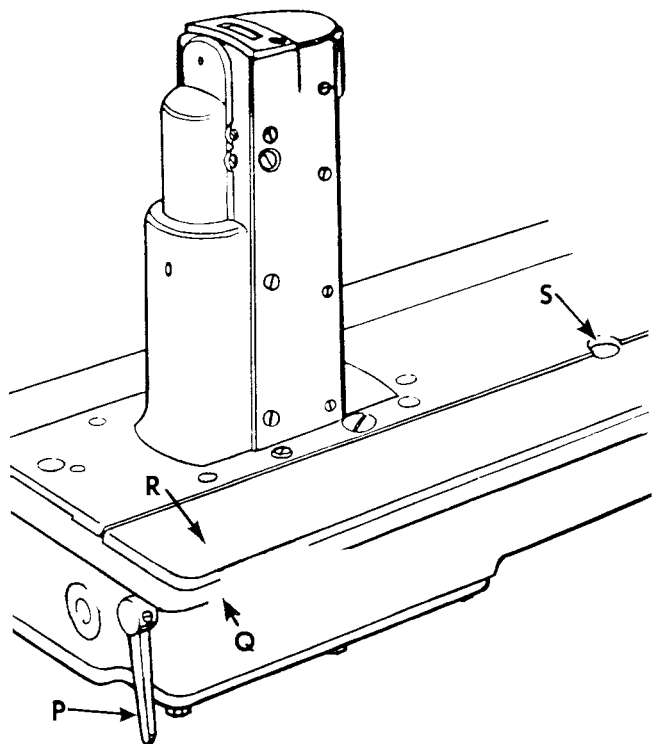


Fig. 15

TO REGULATE THE PRESSURE ON THE MATERIAL

The pressure of the roller presser on the material is regulated by screw **Q2**, Fig. 17. Turn this screw to the right (down) to increase the pressure or to the left (up) to decrease the pressure. The pressure should be only sufficiently heavy to feed the work evenly.

TO SET NEEDLE BAR AT CORRECT HEIGHT



Fig. 16

When the needle bar is at its lowest position, the upper timing mark **T** should be just visible at the lower end of needle bar bushing, as shown in Fig. 16.

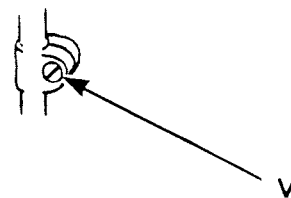


Fig. 17

To set, loosen screw **V**, Fig. 17 and move needle bar to the correct height, then tighten screw **V**.

TO SET SEWING HOOK TO OR FROM THE NEEDLE

To prevent the point of the sewing hook from dividing the strands of thread, the hook should run as close to the needle (within the scarf) as possible, without actually touching the needle.

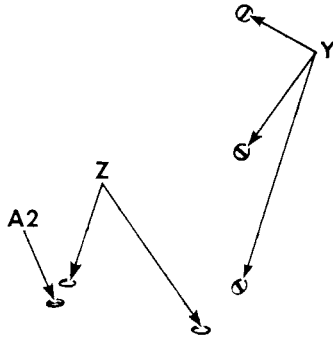


Fig. 18

To set, first remove base cover plates, slide plate, throat plate and bobbin case cap for clearer view of hook. Then loosen the six screws Y, Figs. 18 and 19 and the two screws Z, Fig. 18. Turn machine pulley over toward operator until point of sewing hook is at center of needle. To move hook post closer to needle, turn eccentric screw A2, Fig. 18 counterclockwise. To move hook post away from needle, turn eccentric screw A2 clockwise.

After setting, push hook post to back edge of slot in bed (away from operator), then tighten the two screws Z and the six screws Y.

TO TIME THE SEWING HOOK

Be sure needle bar is set at correct height. Turn machine pulley over toward operator until needle bar rises from its lowest position and the lower timing mark U, Fig. 16 is just visible at the lower end of needle bar bushing. The point of the sewing hook should then be at the center of the needle approximately 1/16 inch above the eye.

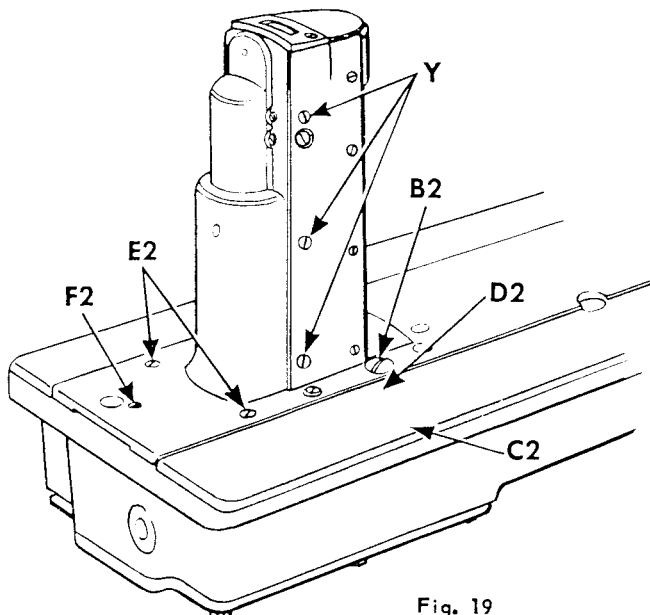


Fig. 19

To time the sewing hook, first remove base cover plates, slide plate, throat plate and bobbin case cap for clearer view of hook. Then remove screw B2, Fig. 19. Through the hole left in the bed, locate set screws C2 and D2 in hub of gear. Loosen set screw D2 first. Then turn machine pulley 1/4 turn away from operator and loosen set screw C2. Manually set hook to position previously described, then tighten screws D2 and C2. Replace screw B2.

TO ADJUST SIDEWISE POSITION OF FEED WHEEL

The feed wheel should never touch the sides of the throat plate slot, but should be in sidewise alignment with the roller presser.

Loosen the six cover screws Y, Figs. 18 and 19. Loosen the two feed post screws E2, Fig. 19. To move feed wheel toward needle, turn eccentric screw F2 clockwise. To move feed wheel away from needle, turn eccentric screw F2 counterclockwise. After adjustment, tighten the six cover screws Y, Figs. 18 and 19 and the feed post screws E2, Fig. 19.

TO ADJUST HEIGHT OF FEED WHEEL

The feed wheel should be set so that slightly less than the full depth of the teeth project through the feed wheel slot in the throat plate.

The height of the feed wheel is regulated by eccentric stud G2, Fig. 20. To raise or lower the feed wheel, loosen the set screws H2 and J2 and turn eccentric stud G2 to the right or left until the feed wheel is at the desired height, then securely tighten the set screws H2 and J2.

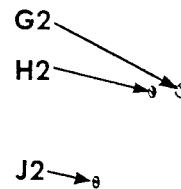


Fig. 20

TO ADJUST THE TOP DRIVE ADJUSTABLE PULLEY

To change the rate of feed of the roller presser in relation to the feed wheel, first loosen knurled clamping nut K2, Fig. 21. Insert key wrench L2 into spreader cone M2. Turn key clockwise to feed top ply slightly faster than bottom ply. Turn key counterclockwise to feed bottom ply slightly faster than top ply. After adjustment, tighten clamping nut K2.

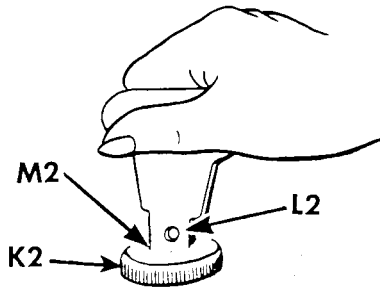


Fig. 21

TO ADJUST THE BOBBIN CASE OPENER

Remove slide plate and loosen hook post screws N2, Fig. 22. Set bobbin case opener P2 so that it touches the bobbin case Q2 as lightly as possible, yet turns the bobbin case enough to make a sufficient opening for free thread passage between throat plate and bobbin case. Then tighten screws N2 and replace slide plate.

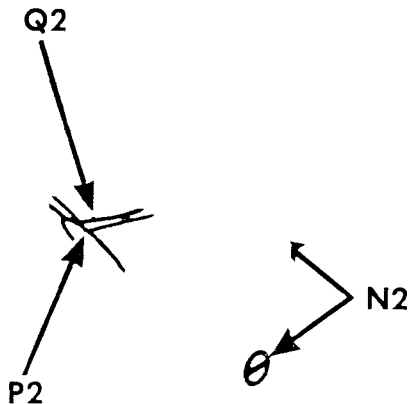


Fig. 22

TO ADJUST THREAD TAKE-UP SPRING

The take-up spring S2, Fig. 23 should usually have just enough movement so that it will be through acting and will rest against upper end of spring regulator R2 when needle is 1/16 inch above material on its downward stroke. The spring should act a slight amount as the thread passes around the bottom of the hook and also as the thread is cast off the hook.

To set take-up spring, loosen set screw T2 and, by means of stud U2, position spring regulator as required. Then tighten screw T2.

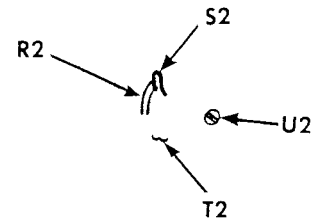


Fig. 23

To regulate tension on take-up spring, first be sure screw T2 is tight. Then turn stud U2 over to the left to increase tension or over to the right to decrease tension.

The take-up spring may require different tension settings for different sizes of thread; heavy thread requires more tension than light thread.

The above instructions apply to average sewing. Adjustments in both stroke and tension may have to be made to suit special conditions.

TO REMOVE AND REPLACE THE SEWING HOOK

Remove bobbin case cap and bobbin as instructed on page 4. Remove the hook gib screw **V2**, **Fig. 24** and swing back the gib to allow base of bobbin case to be taken out. Remove screw **W2** from the center of the hook. Tap hook slightly on the bottom of its rim to force it from its socket. Do not try to pry it out, as prying may bend the shank of the hook.

When replacing hook, be sure the prongs of the shank enter the slot at the bottom of the socket, otherwise the hook will be out of time. Then replace and tighten screw **W2**.

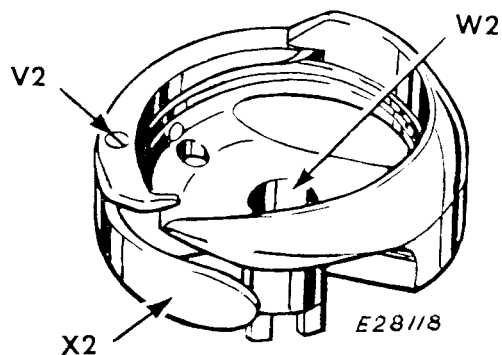


Fig. 24

NEEDLE GUARD

The function of the needle guard **X2** is to prevent the point of the hook from striking the needle, if, when passing through the material, the needle is deflected toward the hook.

The upright portion of the needle guard should be sprung with a screwdriver until it prevents the hook point from striking the needle. It should not, however, be sprung out enough to deflect the needle from its normal path.

TO REMOVE AND REPLACE THE ROLLER PRESSER DRIVING BELT (UPPER)

Raise roller presser. Remove clamping nut **K2**, **Fig. 21**. Remove arm top cover and face plate. Remove adjusting rod **C** by lifting rod up and out of socket **D**. Slip belt off spreader cone **E**. Raise idler pulley bracket **F**, insert a screwdriver in between retaining rings **G** and spindle **H**, then twist the screwdriver and the rings will snap out. With a brass drift pin, tap spindle **H** free of bracket **F**, this will release the idler pulleys **J** and the belt can be removed.

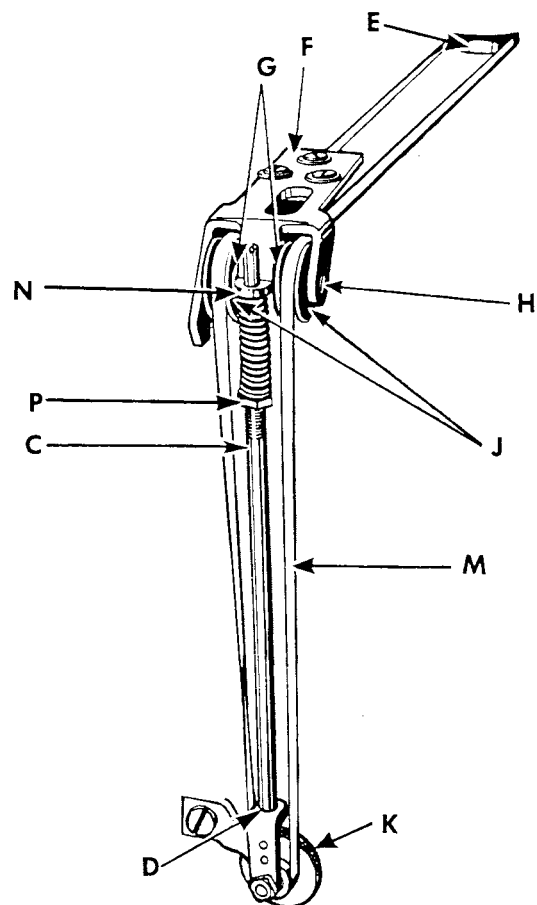


Fig. 25

To replace, slip belt **M** into belt pulley of roller presser **K**, up under idler pulley bracket **F** and over spreader cone **E**. Insert spindle **H** through bracket **F** and pulleys **J**, being certain that the pulleys are under belt **M**. Slip retaining rings **G** into position and, with a screwdriver, push rings until they snap into the spindle slot. Insert spring end of adjusting rod **C** into hole **N**, then push rod **C** up and slip its lower end into socket **D**. Adjust belt tension by turning nut **P** counterclockwise to increase tension or clockwise to decrease tension. Replace face plate, arm top cover and clamping nut.

TO REMOVE THE FEED WHEEL

Remove the feed wheel cover and the throat plate. Loosen set screw **R**, Fig. 26 and clamp screw **S**. Remove stud screw **U**, press pinion gear **T** down, and with a slight pressure the feed wheel **V** will snap off.

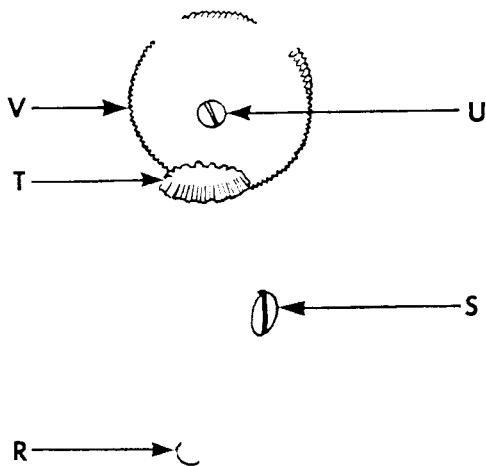


Fig. 26

HINTS FOR PERFECT OPERATION

- Follow instructions and oil machine regularly.
- The machine pulley must always turn over toward the operator.
- Do not run the machine with the roller presser resting on the feed wheel without material under the roller presser.
- Do not run the machine when both bobbin case and needle are threaded, unless there is material under the roller presser.
- Do not try to help the machine by pulling the material. The machine feeds without assistance.
- The slide over the bobbin case should be kept closed when the machine is in operation.
- Do not touch the stitch regulator lever while the machine is running.

The following three pages pertain to the operation and adjustment of the trimmer mechanism.

SPECIAL INSTRUCTIONS FOR MACHINES 236W104 AND 236W112

To Operate the Trimmer Mechanism

To throw knife out of action, press lever **A2**, Fig. 27 and move knife driving arm **B2** as far back as it will go.

To throw knife into action, move knife driving arm **B2** forward until it snaps into place.

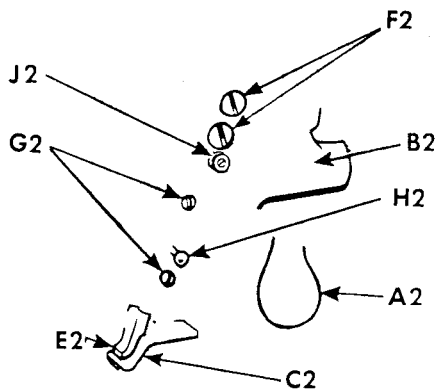


Fig. 27

To Time the Trimmer Mechanism (Machine 236W104 Only)

Knife **C2**, Fig. 27 should be timed so that it is at its most forward position (toward the operator and 1/32 inch in front of needle) when needle bar is at its lowest position.

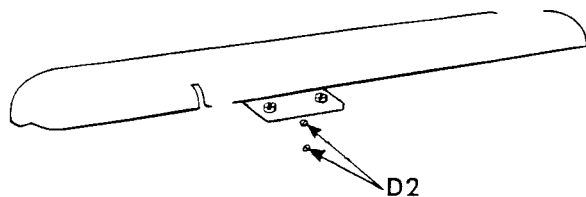


Fig. 28

To time knife, remove arm top cover and gear cover plate. Then loosen gear set screws **D2**, Fig. 28 and rotate gear on its shaft until correct timing of knife is obtained. Tighten set screws **D2**, then replace gear cover plate and arm top cover.

To Adjust the Edge Guide

Edge guide **E2**, Fig. 27 can be adjusted so that the knife will trim the edge of the under ply from .015 inch to 1/8 inch under the edge of upper ply.

To adjust, loosen two screws **F2**, Fig. 27 and move edge guide bracket as required. Then tighten screws **F2**.

The edge guide should be set at a height that will permit knife to pass freely under it with edge guide lightly touching top of knife.

To adjust, loosen two screws **G2**, Fig. 27 and raise or lower guide bracket as required. Then tighten screws **G2**.

To disengage edge guide, raise lifting pin **H2**, Fig. 27 until it locks in place.

To engage edge guide, pull plunger **J2** thereby releasing guide and returning it to its engaged position.

To Regulate Tension on Trimmer Motor Belt (Machine 236W112 Only)

Tension on belt should be only heavy enough to keep belt from slipping.

To adjust, remove arm back cover, loosen set screw **L**, Fig. 34 and turn screw **M** until correct belt tension is obtained. Then tighten screw **L**.

SPECIAL INSTRUCTIONS FOR MACHINES 236W105 AND 236W111

To Operate the Trimmer Mechanism

To throw knife out of action, press down plunger **L2**, Fig. 29.

To throw knife into action, press lever **M2** until plunger snaps into position.

To Time the Trimmer Mechanism (Machine 236W105 Only)

Knife **K2**, Fig. 29 should be timed so that it is at its most forward position (toward the operator and 1/32 inch in front of the needle) when needle bar is at its lowest position.

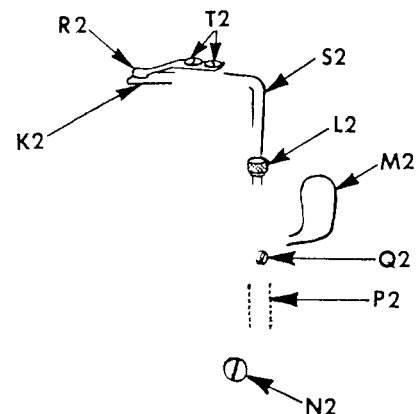


Fig. 29

To time knife, tip machine back and loosen two set screws in the eccentric **U2**, Fig. 30. Turn eccentric on its shaft until the furthest forward movement of knife is obtained while needle bar is at its lowest position. Then tighten two set screws in eccentric **U2**.

To position knife 1/32 inch in front of needle (toward operator), loosen screw **N2**, Fig. 29 and turn shaft **P2** by means of lever **M2** until correct position of knife is obtained. Then tighten screw **N2**.

After knife has been retimed and set, loosen screw **Q2** and reset knife guard **S2**. Then tighten screw **Q2**.

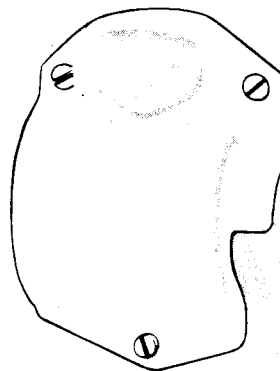


Fig. 31

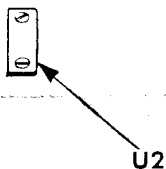


Fig. 30

To Adjust the Edge Guide

The edge guide **R2**, Fig. 29 can be adjusted so that the knife will trim the edge of the under ply from .015 inch to 1/8 inch under the edge of the upper ply.

To adjust, loosen two screws **T2**, Fig. 29 and move edge guide as desired. Then tighten screws **T2**.

If desired, the edges of both upper and under pieces of material can be trimmed simultaneously.

To Regulate Tension on Trimmer Motor Belt (Machine 236W111 Only)

Tension on belt should be only heavy enough to keep belt from slipping.

To adjust, loosen three motor cover screws Fig. 31 and turn adjusting screw **W2**, Fig. 32 clockwise until the correct belt tension is obtained. Then tighten cover screws.

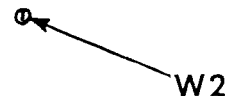


Fig. 32

SPECIAL INSTRUCTIONS FOR MACHINE 236W110

To Operate the Trimmer Mechanism

To throw knife out of action, press lever **C**, Fig. 33 to the left.

To throw knife into action, press lever **C** to the right.

The knife **J**, Fig. 33 is held obliquely in correct position for cutting the linings smoothly and rapidly from under the bead edge of the uppers, and may be thrown into or out of action as desired while stitching is in process.

To Regulate Tension on Trimmer Motor Belt

Tension on belt should be only heavy enough to keep belt from slipping.

To adjust, remove arm back cover, loosen set screw **L**, Fig. 34 and turn screw **M** until correct belt tension is obtained. Then tighten screw **L**.

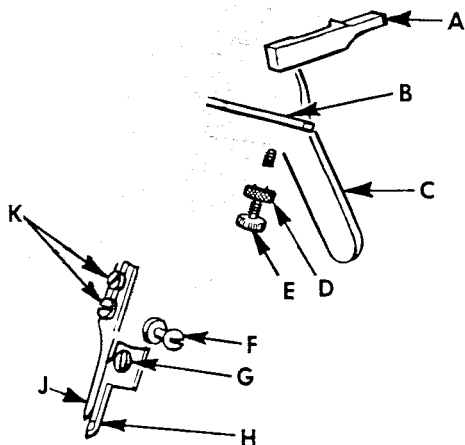


Fig. 33

Edge Guide Finger

The purpose of the edge guide finger **H**, Fig. 33 is to keep edge of shoe upper out of range of trimmer knife **J**, thereby preventing knife from cutting the edge of shoe upper while stitching and trimming are in process.

Height Adjustment of Edge Guide Finger

The edge guide finger must be set at a height that will permit the facing or lining to pass freely under it to the knife while protecting the edge of the shoe upper.

To adjust, loosen lock nut **D**, Fig. 33 and turn thumb screw **E** up to raise guide finger or down to lower guide finger. Then tighten lock nut **D**.

Sidewise Adjustment of Edge Guide Finger

When correctly set, edge guide finger **H** should be slightly to the left of knife **J**.

To adjust, loosen screw **F** and move edge guide finger holder to correct position. Then tighten screw **F**.

Endwise Adjustment of Edge Guide Finger

The back of edge guide finger **H** should be set as close as possible to knife **J** without striking it.

To adjust, loosen screw **G** and move edge guide finger to correct position. Then tighten screw **G**.

To Disengage Edge Guide Finger

Hang up the guide finger bar by pressing down latch **A**.

To Raise Edge Guide with Knife

Move lever **B** to the right while knife is down.

To Raise Knife Without Raising Edge Guide

Move lever **B** to the left.

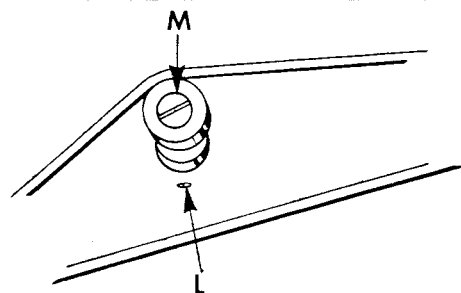


Fig. 34

To Change the Trimming Margin

Each throat plate has but one trimming margin. This margin is measured from the center of the needle hole to the cutting edge of the throat plate and may be .015, .025, .035 or .050 inch from stitching line depending on throat plate used.

To Set Knife

The knife descends obliquely and must be set so that the cutting edge will press against and pass just below cutting edge of throat plate to ensure a shear cut.

To set sidewise position of knife, loosen screw **N**, Fig. 35 and move knife holder as required. Then tighten screw **N**.

To set height of knife, loosen two screws **K**, Fig. 33 and raise or lower knife as required. Then tighten screws **K**.



Fig. 35

INSTRUCTIONS FOR ORDERING

To simplify ordering of parts, exploded views of the various sections of the mechanism are shown in the same illustration as the assembly of those parts. On the page opposite the illustration is a list of parts with key or reference numbers to indicate the position of that part in the illustration. These key numbers in the first column are for reference only and are not to be used in ordering parts.

In ordering from this list, use ONLY the PART number in the SECOND column.

The number stamped on a Sewing Machine Part is the number of the single part only.

Every combination of parts sent out has its specific number which, although not stamped on Parts must be used when ordering the combination.

Each number always indicates the SAME PART in whatever list it appears, or for whatever Machine.

The letters after some of the numbers indicate the style of finish only, as follows:

AL	Heat Treated for Toughness.
ALX	Heat Treated for Toughness and Black Oxide.
C	Hardened only.
D	Polished only.
E	Soft, Not polished.
F	Hardened and Polished.
X	Black Oxide, for Iron and Steel.
XC	Hardened and Black Oxide, for Iron and Steel.

These letters MUST BE USED when they appear in the list and AFTER the number, as in the list.

In this series:

1 to 1500, 200001 to 201500 and 350001 to 351500 are Screw Numbers.
 1501 to 1800, 201501 to 201800 and 351501 to 351800 are Nut Numbers.
 1801 to 2000, 201801 to 202000 and 351801 to 352000 are Roller Numbers.
 2001 to 50000 and 202001 to 350000 are Numbers of Machine Parts.

Parts marked with an asterisk (*) are furnished only when repairs are made at the factory; these (*) parts are named at bottom of descriptive list opposite illustration.

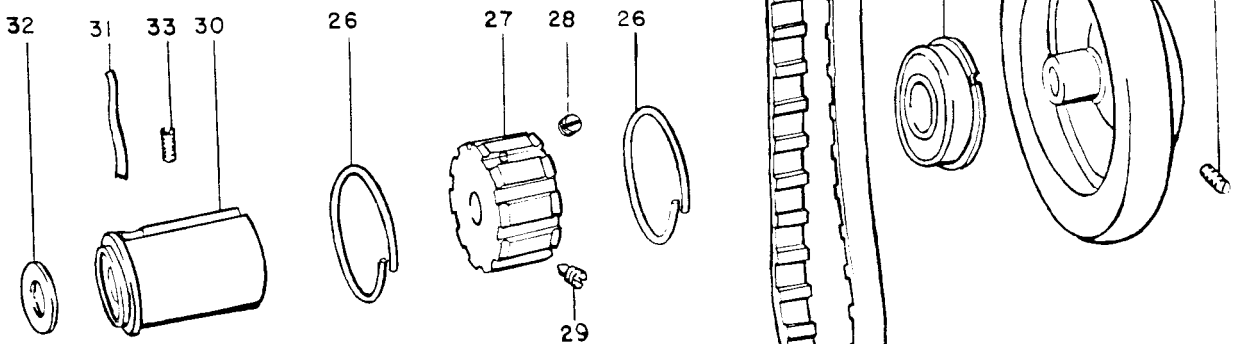
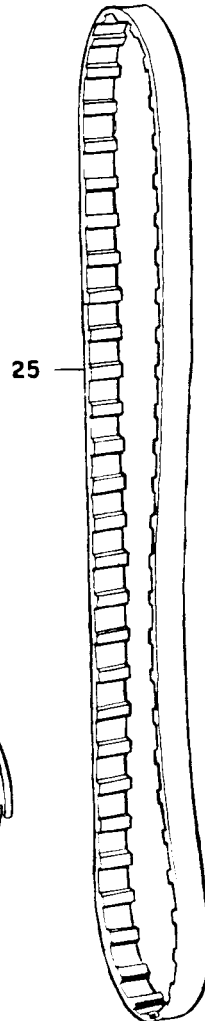
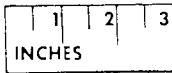
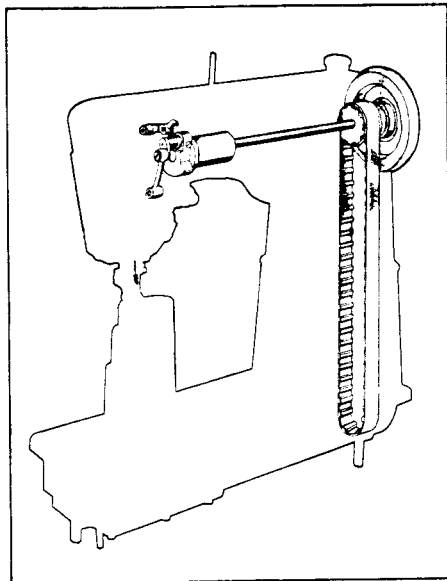
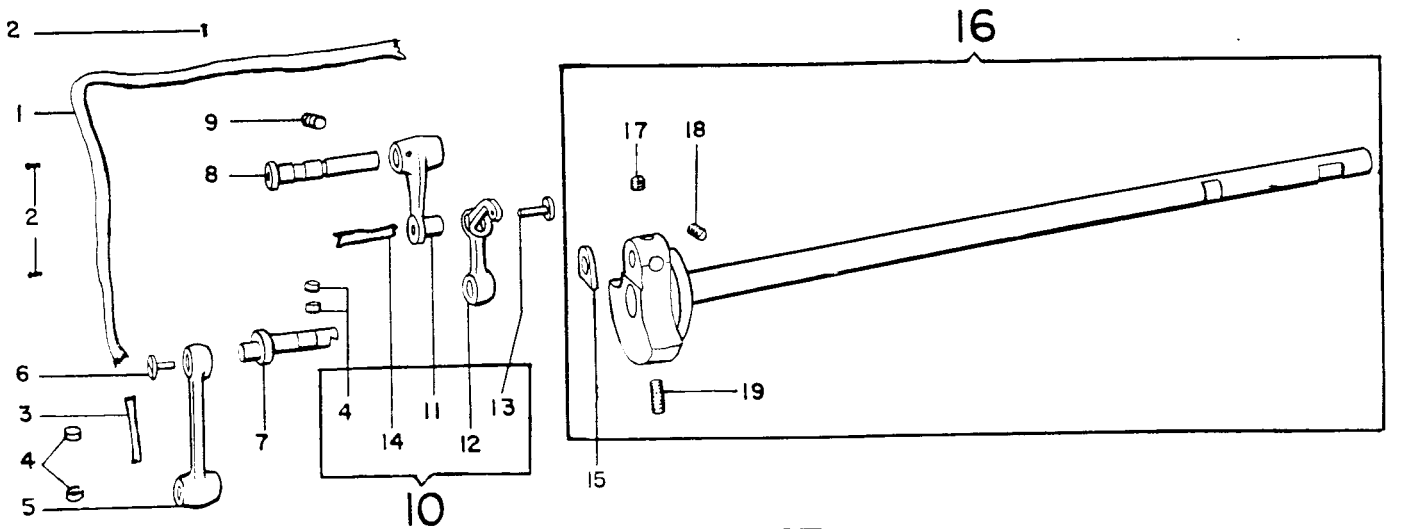
PARTS FOR MACHINE No. 236w100

ARM SHAFT AND TAKE-UP ASSEMBLY

<u>Ref. No.</u>	<u>Part No.</u>	<u>Description</u>
1	263560	Needle Bar and Take-up Oiling Wick
2	228485	Oiling Wick Retaining Screw (3)
3	263570	Needle Bar Connecting Link Oil Packing (wick)
4	263571	Oil Packing (wick) Spring Clamp (2)
5	263492	Connecting Link
6	1130E	Link Cap Screw
7	263540	Take-up Lever Crank
8	263544	Take-up Lever Link Hinge Stud
9	200347AL	Hinge Stud Set Screw
10	263539	Take-up Lever 263538 with 12166, 263543, 263572 and two 263571
11	263543	Take-up Lever Link
12	263538	Take-up Lever
13	12166	Lever Hinge Stud
14	263572	Link Oil Packing (wick)
15	263545	Link Position Plate
16	263573	Arm Shaft *263406 with 200333C, 200362C, 200382ALX and *263493
17	200382ALX	Lever Crank Set Screw
18	200362C	Lever Crank Set Screw
19	200333C	Needle Bar Crank Position Screw
20	263488	Machine Pulley 263487 with 272142
21	263487	Machine Pulley (aluminum alloy casting) for "V" belt (outside diam. of belt groove 2.9 in.) (rim diam. 5-1/4 in.) with 200327C and 200328C
22	200327C	Pulley Set Screw
23	200328C	Pulley Position Screw
24	272142	Ball Bearing (back)
25	263409	Connection Belt (reinforced neoprene)
26	214206	Pulley Spring Flange
27	263410	Belt Pulley with 200363AL, 350492C and two 214206
28	200363AL	Pulley Set Screw
29	350492C	Pulley Position Screw
30	263408	Arm Shaft Bushing (front) with 203100
31	203100	Bushing (front) Oil Packing (wick)
32	203172	Needle Bar Crank Friction Washer
33	200338C	Arm Shaft Bushing (front) Set Screw
	*263406	Arm Shaft
	*263493	Needle Bar Crank

PARTS FOR MACHINE No. 236w100

ARM SHAFT AND TAKE-UP ASSEMBLY



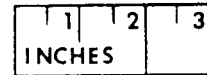
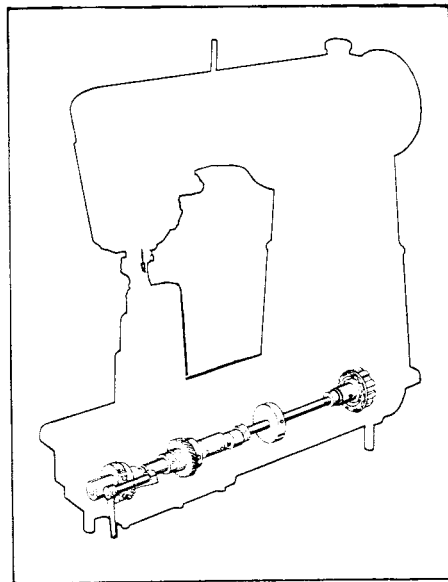
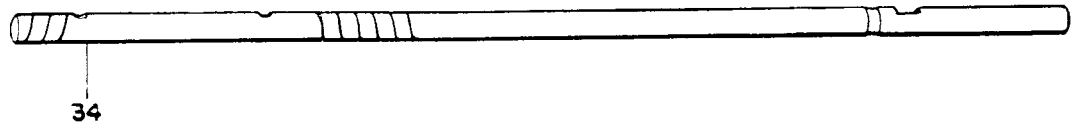
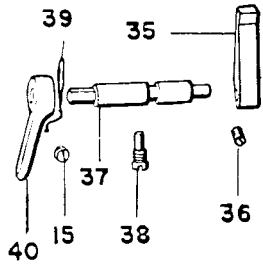
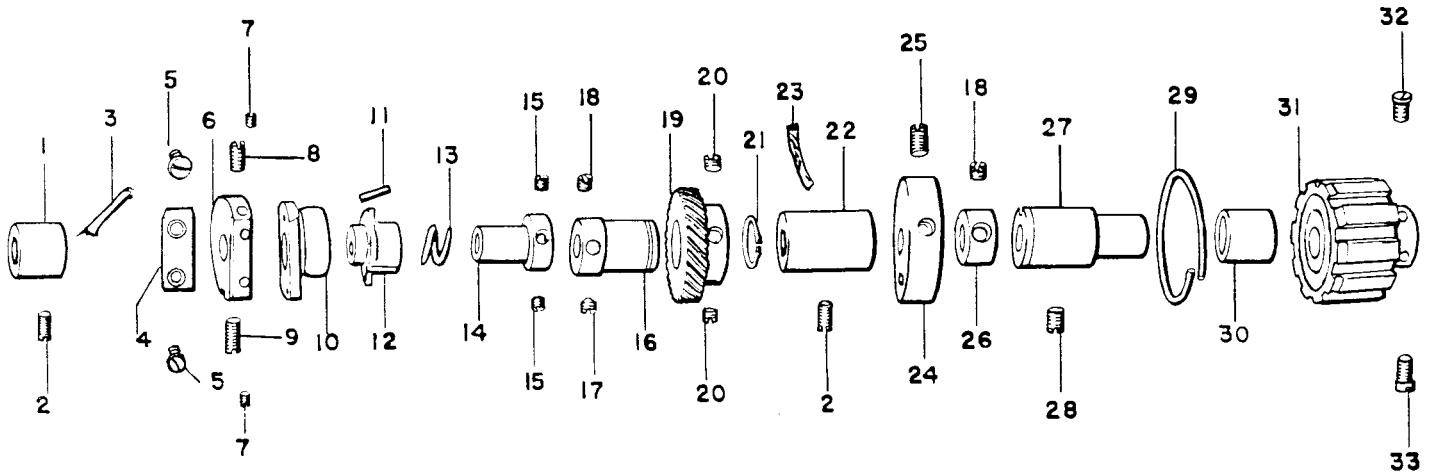
PARTS FOR MACHINE No. 236w100

FEED AND HOOK DRIVING SHAFT ASSEMBLY

<u>Ref.</u> <u>No.</u>	<u>Part</u> <u>No.</u>	<u>Description</u>
1	263467	Bushing (front) with 272115
2	200958C	Bushing Set Screw (2)
3	272115	Bushing (front) Oil Packing (wick)
4	263567	Feed Driving Eccentric Friction Plate
5	350548C	Friction Plate Adjusting Screw
6	263437	Feed Driving Flange with 200333C, 200346C, 263567, two each 350477C and 350548C
7	350477C	Adjusting Screw Set Screw
8	200333C	Flange Position Screw
9	200346C	Flange Set Screw
10	263429	Feed Driving Eccentric with 215057
11	215057	Eccentric Adjusting Eccentric Pin
12	263430	Eccentric Adjusting Eccentric
13	263435	Eccentric Adjusting Eccentric Spring
14	263436	Eccentric Adjusting Eccentric Spring Adjusting Collar with two 200394C
15	200394C	Set Screw
16	263472	Gear (spiral) Sleeve with 200378C and 201220ALX
17	201220ALX	Gear (spiral) Sleeve Position Screw
18	200378C	Set Screw
19	263470	Gear (spiral) with two 797C
20	797C	Gear (spiral) Set Screw
21	263471	Gear (spiral) Retaining Ring
22	270033	Bushing (back) with 270200
23	270200	Bushing (back) Oil Packing (wick)
24	263537	Stitch Length Indicator with 200347AL
25	200347AL	Indicator Set Screw
26	263469	Shaft Thrust and Timing Collar with 200378C
27	263569	Belt Pulley Needle Bearing Sleeve
28	201007C	Belt Pulley Needle Bearing Sleeve Set Screw
29	214206	Belt Pulley Spring Flange
30	228842	Belt Pulley Needle Bearing
31	263468	Belt Pulley with 201254C, 201421C, 214206 and 228842
32	201421C	Belt Pulley Set Screw
33	201254C	Belt Pulley Position Screw
34	263465	Hook and Feed Driving Shaft
35	263431	Adjusting Eccentric Latch with 200351C
36	200351C	Adjusting Eccentric Latch Set Screw
37	263432	Adjusting Eccentric Latch Hinge Pin
38	200605C	Adjusting Eccentric Latch Hinge Pin Position Screw
39	263434	Adjusting Eccentric Latch Operating Lever Spring
40	263433	Adjusting Eccentric Latch Operating Lever with 200394C

PARTS FOR MACHINE No. 236w100

FEED AND HOOK DRIVING SHAFT ASSEMBLY



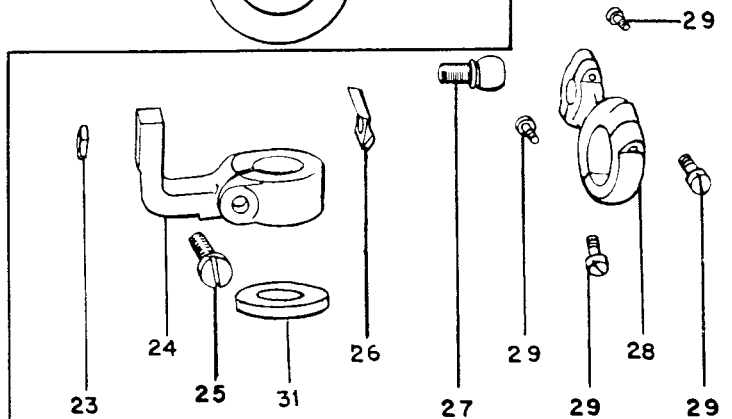
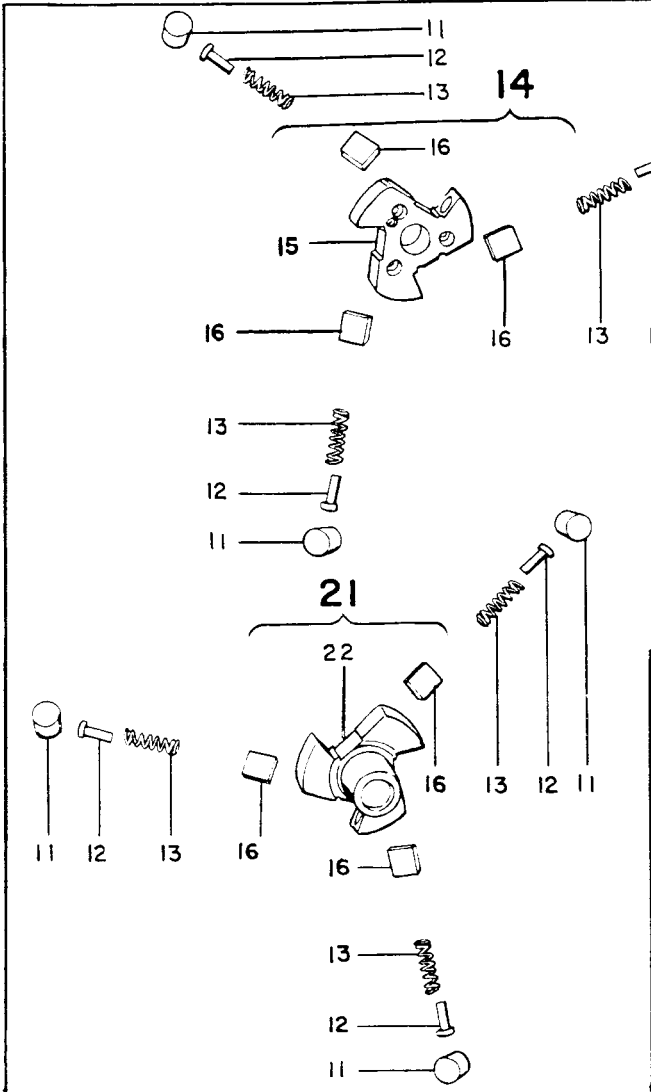
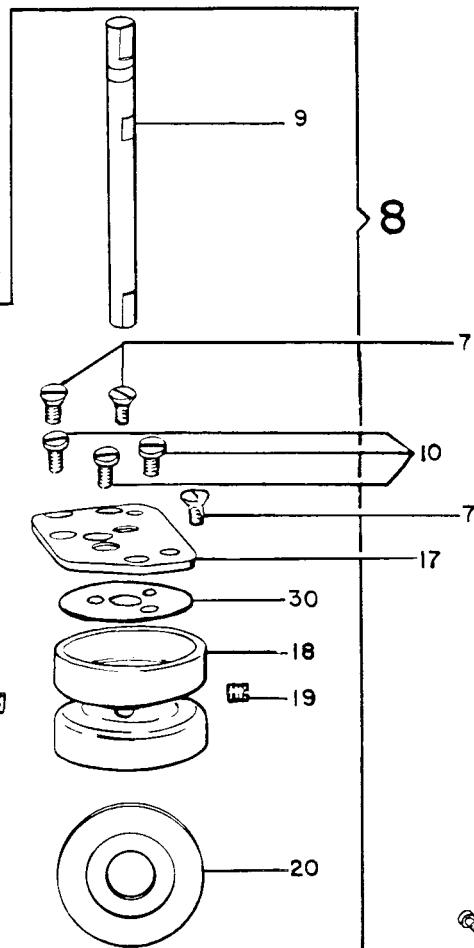
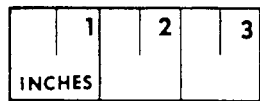
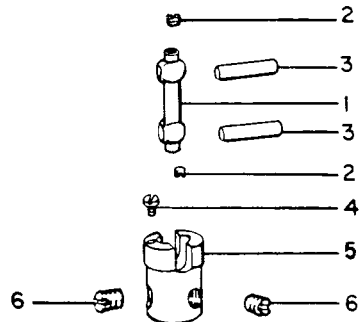
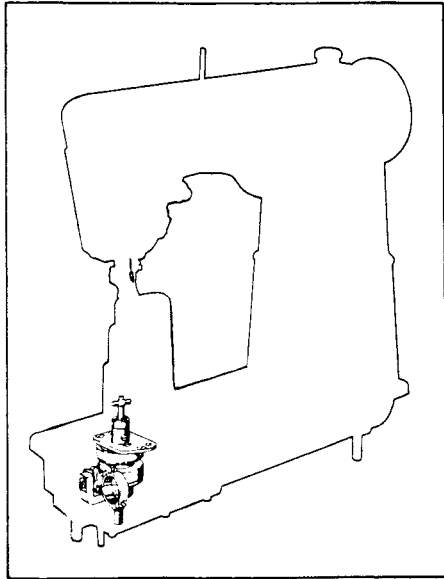
PARTS FOR MACHINE No. 236w100

FEED CLUTCH AND FEED DRIVING CONNECTION

<u>Ref. No.</u>	<u>Part No.</u>	<u>Description</u>
1	263456	Driving Pinion Coupling Ball Connection with two 201052ALX
2	201052ALX	Connection Stud Set Screw
3	263457	Connection Stud (2)
4	200133C	Connection Retaining Screw
5	263454	Driving Pinion Coupling (lower) with two 200382ALX
6	200382ALX	Coupling Set Screw
7	200911X	Clutch (brake) Supporting Plate Screw (3)
8	263425	Feed Clutch complete, Nos. 144261, 263423, 263458, 263578, 263579, 263591, six each 68152, 131717 and 131718
9	263458	Driving Pinion Shaft (lower)
10	1255C	Clutch (brake) Screw (3)
11	131717 ✓	Clutch Roller
12	68152 ✓	Clutch Roller Plunger
13	131718 ✓	Clutch Roller Spring
14	263578	Feed Clutch (brake) 144262 with three 263574
15	144262	Clutch (brake)
16	263574 ✓	Clutch Wear Plate
17	263424	Clutch (brake) Supporting Plate
18	263579	Clutch Sleeve with two 140409C
19	140409C	Sleeve Set Screw
20	144261	Clutch (drive) Washer
21	263423	Clutch (drive) 263422 with three 263574
22	263422	Clutch (drive)
23	201616E	Crank Ball Screw Nut
24	263428	Driving Crank with 350175E
25	350175E	Crank Pinch Screw
26	263427	Connection Tension Spring
27	140300C	Crank Ball Screw
28	263426	Connection with four 200274E
29	200274E	Connection Cap Screw
30	263591	Feed Clutch Thrust Washer
31	231836	Feed Driving Crank Thrust Washer

PARTS FOR MACHINE No. 236w100

FEED CLUTCH AND FEED DRIVING CONNECTION



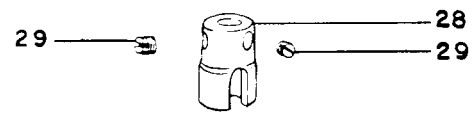
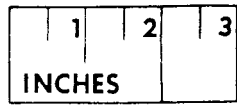
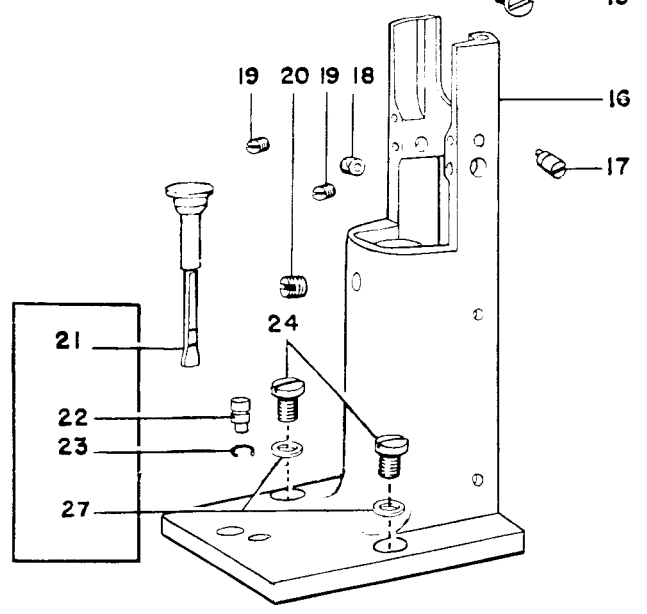
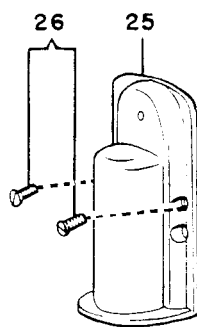
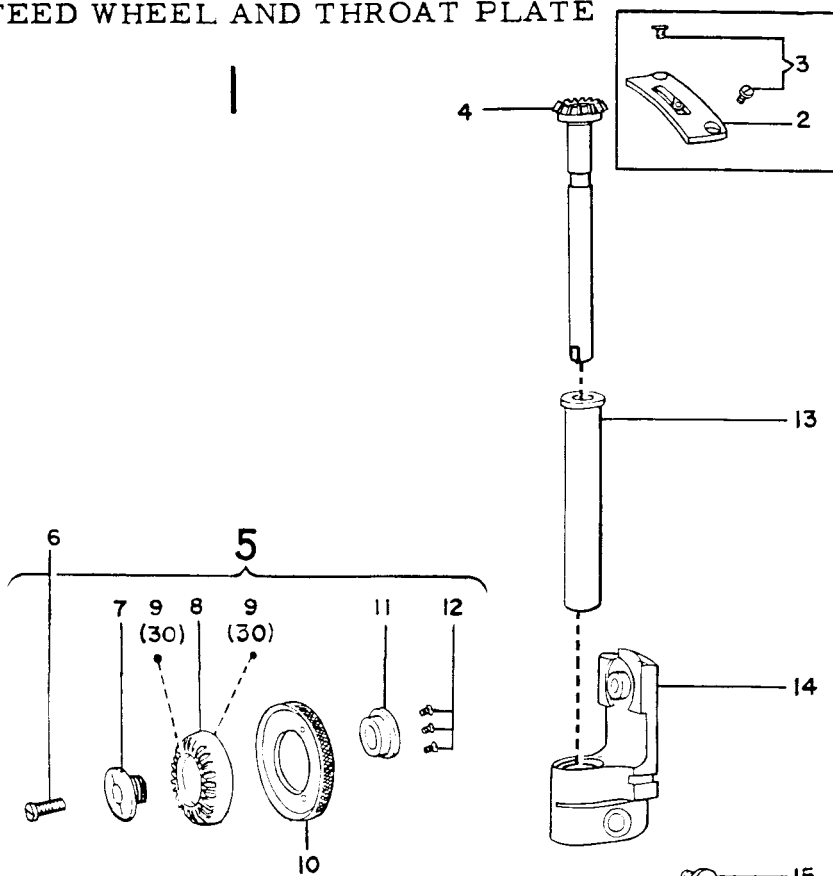
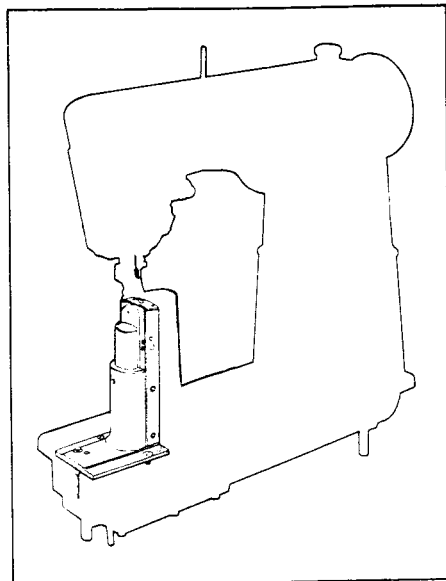
PARTS FOR MACHINE No. 236w100

FEED POST, FEED WHEEL AND THROAT PLATE

<u>Ref. No.</u>	<u>Part No.</u>	<u>Description</u>
1	263439	Feed Post 263438 with 249019, 249092, 263442, 263449, 263453, 263455, 263460, 263461, 350411C and two 200137X
2	249105	Throat Plate, 53 elongated needle hole, for needle sizes 14 and 15
3	350620ALX	Throat Plate Screw (2)
4	263453	Feed Wheel Bevel Gear Driving Pinion
5	263449	Feed Wheel 263575 with 263450 to 263452, three 200587D and sixty 206417
6	350411C	Cap Screw
7	263451	Ball Cone (outside)
8	263452	Feed Wheel Bevel Gear
9	206417	Ball, 1/16 in. diameter
10	263575	Feed Wheel (flat) (close feed)
11	263450	Ball Cone (inside)
12	200587D	Gear Screw
13	263461	Bracket Extension
14	263460	Feed Wheel Bracket with 200041C
15	200041C	Bracket Pinch Screw
16	263438	Feed Post with 200362C and two 200380C
17	249092	Feed Wheel Adjusting Stud (eccentric)
18	249019	Bracket Friction Plug
19	200380C	Set Screw
20	200362C	Extension Set Screw
21	263600	Oil Reservoir Oil Gauge
22	263440	Feed Post Adjusting Eccentric Stud with 263441
23	263441	Eccentric Stud Retaining Ring
24	201110X	Feed Post Screw (2)
25	263442	Feed Post Cover (side)
26	200137X	Cover (side) Screw
27	263592	Feed and Hook Post Screw Washer (fibre) (2)
28	263455	Pinion Coupling (upper) with two 200382ALX
29	200382ALX	Pinion Coupling Set Screw

PARTS FOR MACHINE No. 236w100

FEED POST, FEED WHEEL AND THROAT PLATE



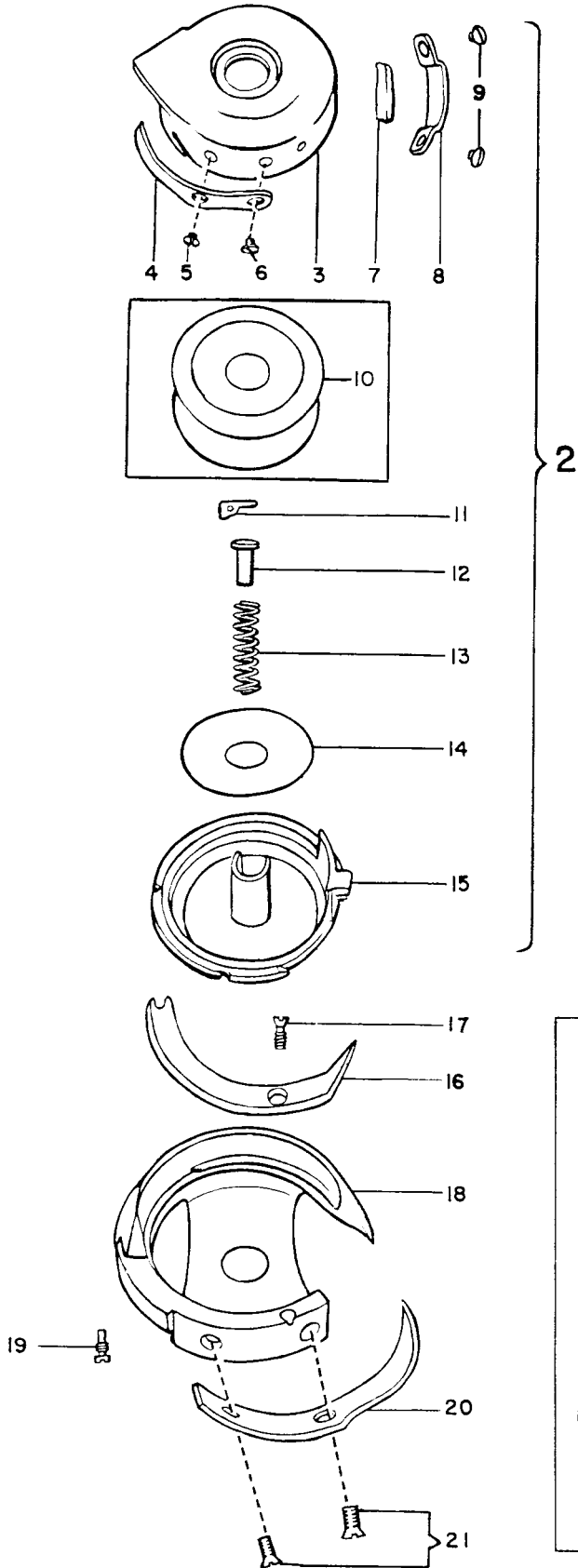
PARTS FOR MACHINE No. 236w100

HOOK AND BOBBIN CASE COMPLETE

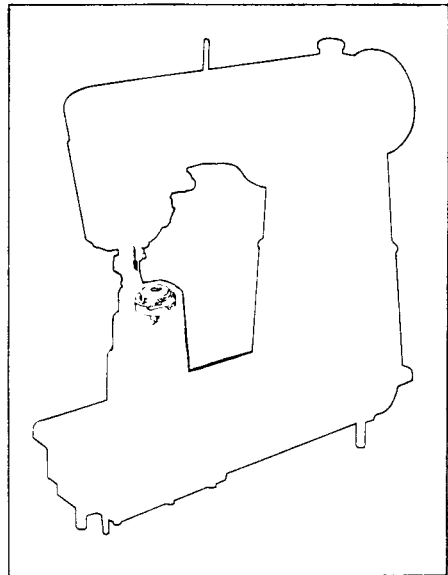
<u>Ref.</u> <u>No.</u>	<u>Part</u> <u>No.</u>	<u>Description</u>
1	263464	Hook and Bobbin Case complete, Nos. 241677 and 263463
2	241677	Bobbin Case complete, Nos. 235769 and 241676
3	241676	Bobbin Case Cap with 200594E, 200984C, 235771, 241674, 241675 and two 350405C
4	235771	Bobbin Case Tension Spring
5	200984C	Tension Spring Regulating Screw
6	200594E	Tension Spring Screw
7	241674	Oiling Felt
8	241675	Oiling Felt Retainer
9	350405C	Retainer Screw
10	233939	Bobbin
11	203211	Bobbin Case Base Latch
12	203212	Latch Plunger
13	203213	Latch Spring
14	203216	Bobbin Case Washer (cloth)
15	235769	Bobbin Case Base with *202056, 203211 to 203213 and 203216
16	241604	Hook Gib
17	201253F	Hook Gib Screw
18	263463	Hook *263462 with 201253F, 201376C, 241604, 263563 and two 201409F
19	201376C	Hook Gib Hinge Screw
20	263563	Hook Needle Guard
21	201409F	Hook Needle Guard Screw
	*202056	Bobbin Case Base Latch Pin
	*263462	Hook (sewing)

PARTS FOR MACHINE No. 236w100

HOOK AND BOBBIN CASE COMPLETE



	1		2
INCHES			



PARTS FOR MACHINE No. 236w100

HOOK POST ASSEMBLY

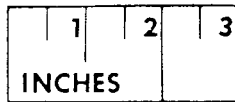
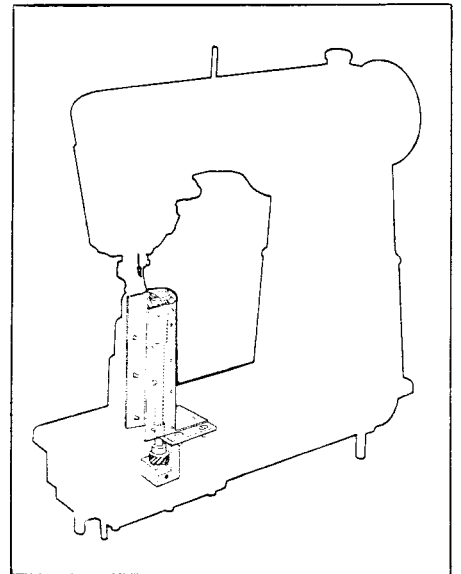
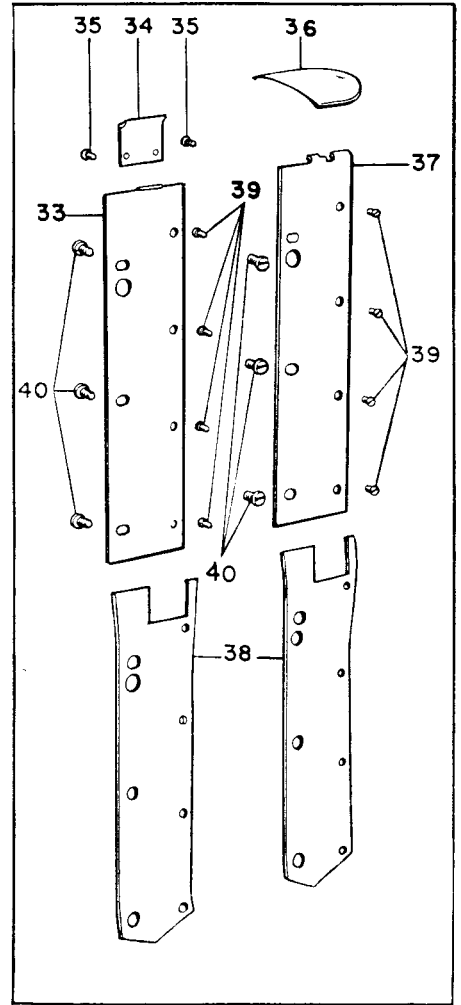
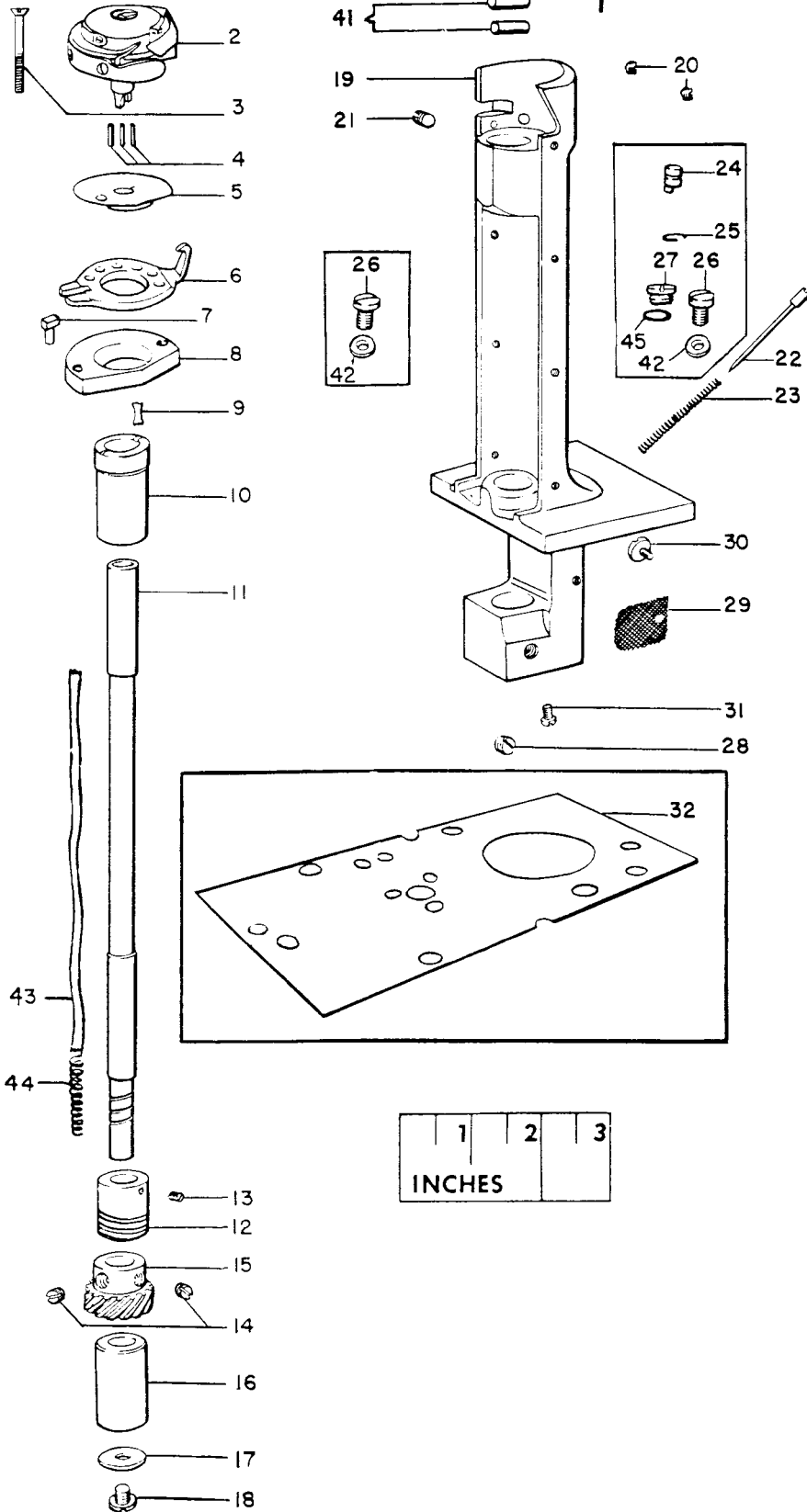
Ref. No.	Part No.	Description
1	263474	Hook Post 263473 with 200121E, 200130F, 200354C, 200396C, 200989X, 203478, 234426, 247623, 263421, 263464, 263476, 263478 to 263482, 263568, 263593, 263594, 265522, 350609E, 350611X two each 201418C and 263582
2	263464	Hook and Bobbin Case complete
3	350611X	Hook Shaft (vertical) Screw
4	204243	Bobbin Case Lever Eccentric Position Pin
5	263482	Hook Washer with *203476 and three 204243
6	247623	Bobbin Case Lever
7	203478	Lever Slide Stud
8	263421	Slide Stud Base (adjustable)
9	263561	Oil Wick
10	263480	Bearing (upper) with 263561
11	263478	Hook Shaft (vertical)
12	263568	Sleeve (center) with 200387C
13	200387C	Sleeve (center) Set Screw
14	200382ALX	Pinion Set Screw
15	265522	Hook Driving Pinion with two 200382ALX
16	263479	Bearing (lower)
17	263481	Thrust Washer
18	200121E	Thrust Washer Screw
19	263473	Hook Post
20	201418C	Slide Stud Base Set Screw
21	200354C	Bearing (upper) Set Screw
22	350609E	Hook Oil Regulating Screw
23	234426	Hook Oil Regulating Spring
24	263440	Hook Post Adjusting Eccentric Stud with 263441
25	263441	Retaining Ring
26	201110X	Hook Post Screw (2)
27	350610E	Hook Post Oil Stop Screw
28	200396C	Bearing (lower) Set Screw
29	263476	Hook Post Oil Inlet Strainer
30	200989X	Strainer Screw
31	200130F	Hook Post Oil Stop Screw
32	263595	Feed and Hook Post Gasket (bottom) (vellumoid)
33	263444	Cover (back) with 263477 and two 350446X
34	263477	Slide Retaining Spring
35	350446X	Retaining Spring Screw
36	221215	Hook Post Slide
37	263445	Cover (front)
38	263446	Cover (back or front) Gasket (2)
39	200582X	Cover (back or front) Screw (8)
40	200159F	Cover (back or front) Clamp Screw (6)
41	263582	Bobbin Case Lever Slide Stud Base Position Pin
42	263592	Feed and Hook Post Screw Washer (fibre) (2)
43	263593	Hook Shaft (vertical) Oil Packing (wick)
44	263594	Hook Shaft (vertical) Oil Packing (wick) Spring
45	244746	Hook Post Oil Stop Screw Washer

*203476

Bobbin Case Lever Eccentric

PARTS FOR MACHINE No. 236w100

HOOK POST ASSEMBLY



PARTS FOR MACHINE No. 236w100

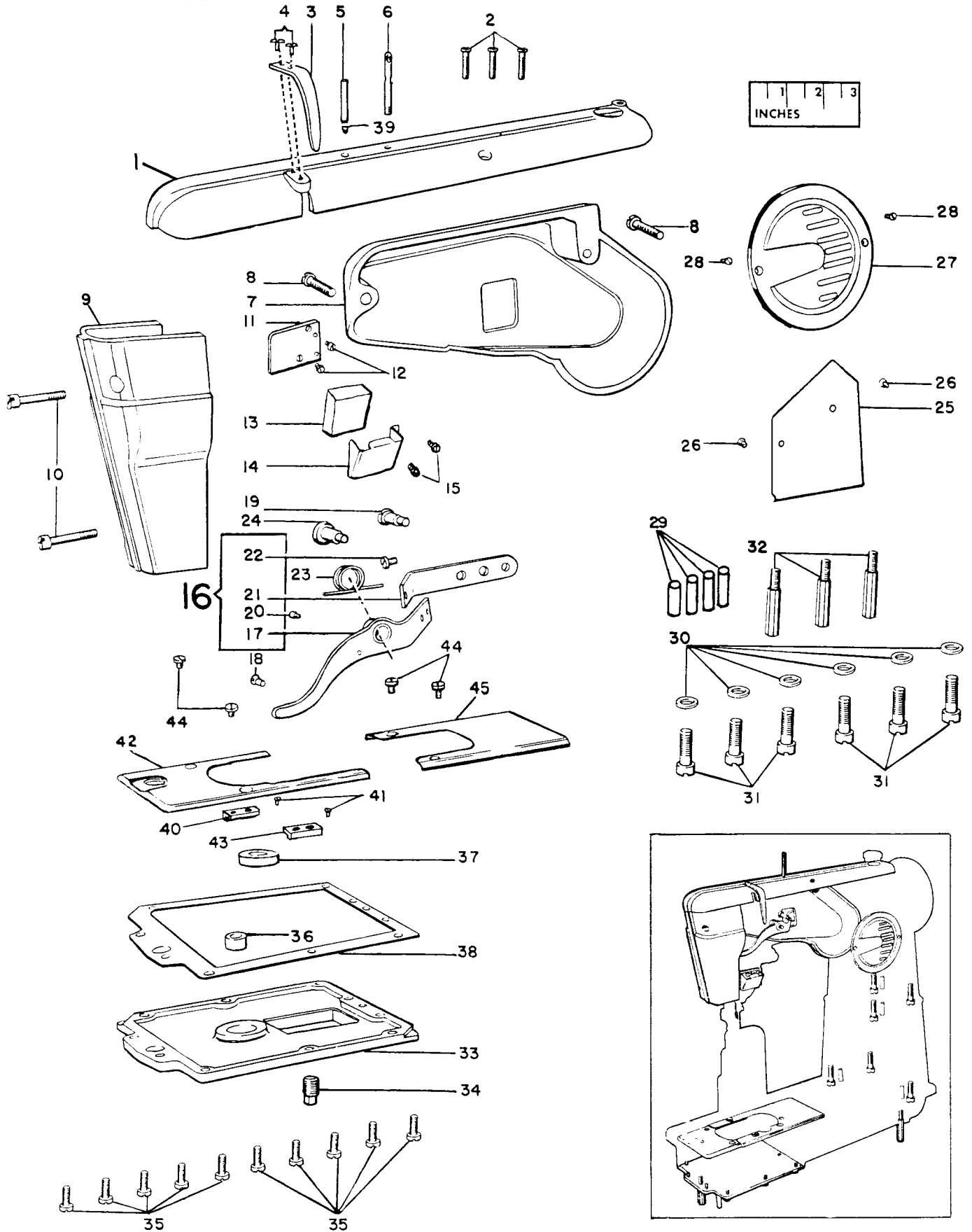
MISCELLANEOUS COVERS AND THREAD LUBRICATOR

<u>Ref.</u> <u>No.</u>	<u>Part</u> <u>No.</u>	<u>Description</u>
1	263412	Arm Top Cover
2	200194F	Cover Screw (3)
3	263541	Take-up Lever Guard
4	200161X	Guard Screw (2)
5	263590	Arm Top Cover Oil Tube with 170168
6	202412	Thread Guide
7	263634	Arm Cover (back)
8	200007E	Cover (back) Screw (2)
9	263405	Arm End Cover
10	200001C	Cover Screw (2)
11	263555	Thread Lubricator Plate
12	200577AL	Plate Screw (2)
13	241765	Oil Pad (felt)
14	263554	Oil Pad Holder
15	200137X	Oil Pad Holder Screw (2)
16	263486	Lifting Lever complete, Nos. 200092C, 201051C, 263483 and 263484
17	263483	Lifting Lever
18	201231C	Lever Stop Screw
19	200224C	Lever Spring Stop Screw (on Arm)
20	201051C	Lever Spring Stop Screw (on Lever)
21	263484	Lever Extension
22	200092C	Extension Screw
23	263485	Lever Spring
24	201101C	Lever Hinge Screw
25	263404	Arm Cover Plate (back) (lower)
26	200112X	Plate (back) (lower) Screw (2)
27	263403	Arm Cover (front)
28	200576X	Cover (front) Screw (2)
29	204235	Position Pin (4)
30	202005	Screw Washer (6)
31	200004E	Screw (6)
32	263417	Bed Leg (3)
33	263414	Bed Cover (bottom) with 60884, 263459 and 267093
34	60884	Bed Cover (bottom) Oil Plug
35	200040E	Bed Cover (bottom) Screw (10)
36	267093	Driving Pinion Shaft (lower) Needle Bearing
37	263459	Driving Pinion Shaft (lower) Needle Bearing Oil Seal
38	263415	Bed Cover (bottom) Gasket
39	170168	Arm Top Cover Oil Tube Oil Metering Insert
40	263804	Base Cover Support (back)
41	200578X	Base Cover Support Screw (2)
42	263801	Feed Post Base Cover
43	263803	Base Cover Support (front)
44	200181X	Base Cover Screw (2)
45	263802	Hook Post Base Cover

*263401 Arm
263402 Arm Base
*263413 Bed

PARTS FOR MACHINE No. 236w100

MISCELLANEOUS COVERS AND THREAD LUBRICATOR



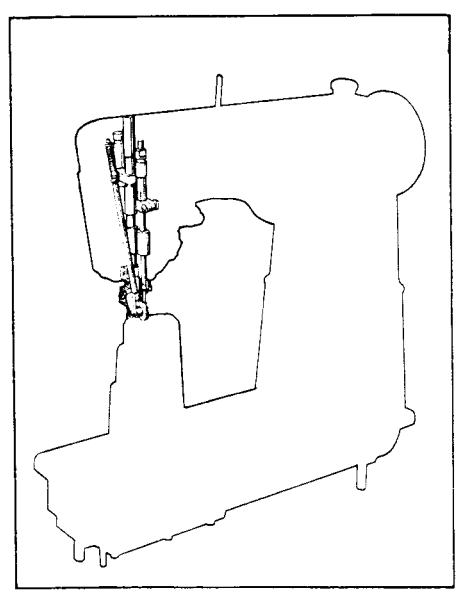
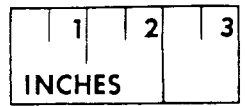
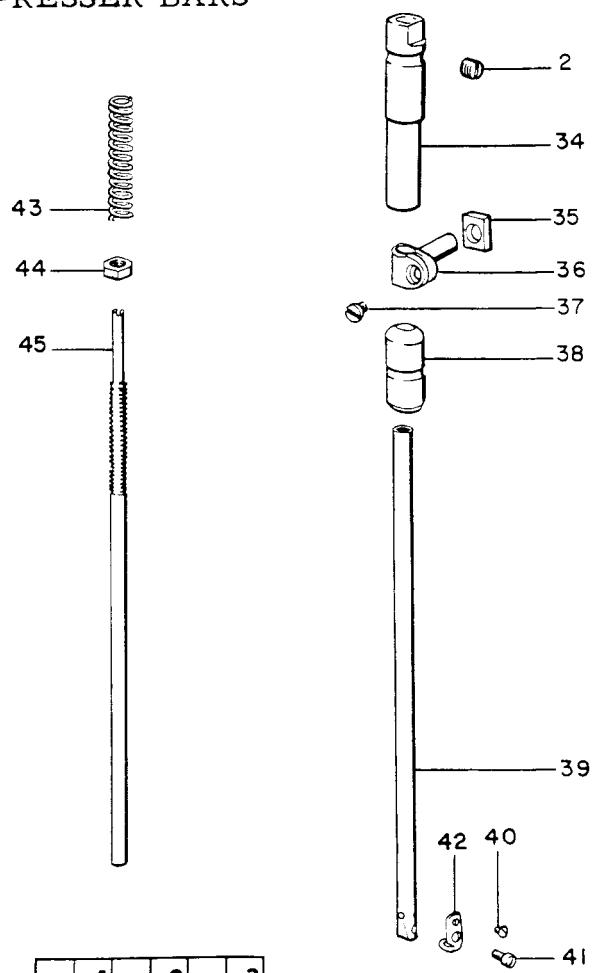
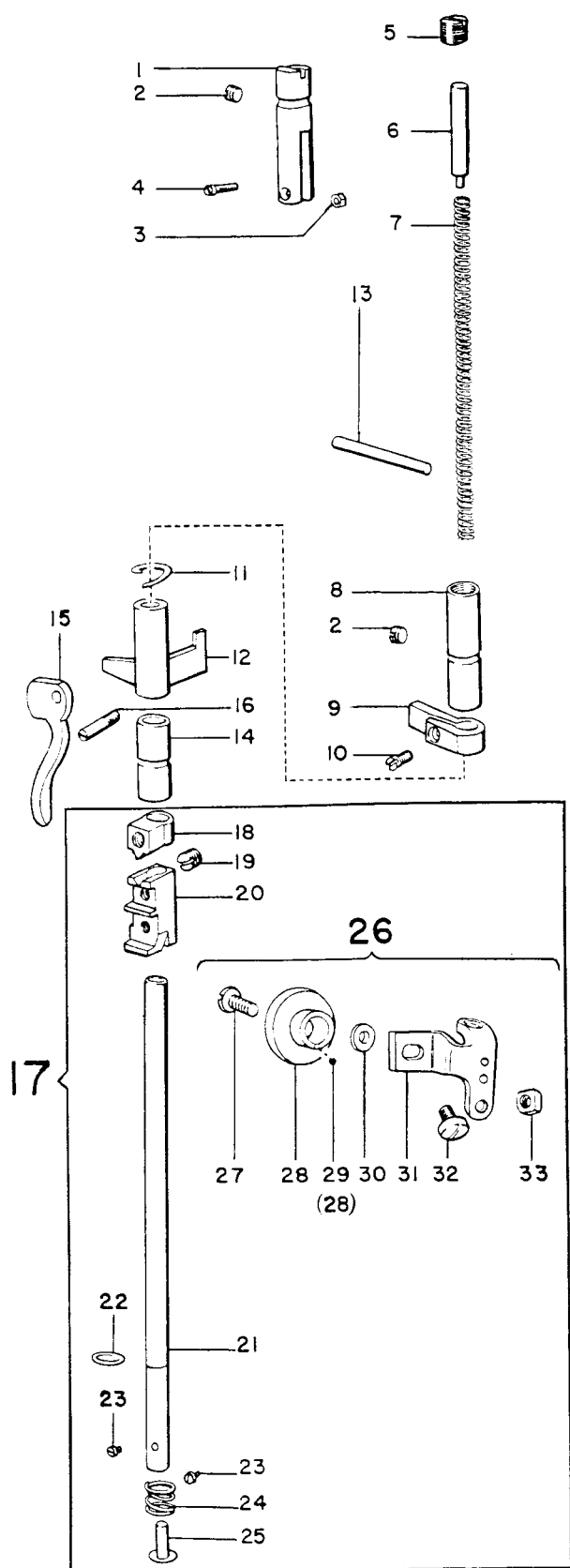
PARTS FOR MACHINE No. 236w100

NEEDLE AND ROLLER PRESSER BARS

<u>Ref. No.</u>	<u>Part No.</u>	<u>Description</u>
1	263498	Presser Bar Position Guide
2	200398C	Set Screw (3)
3	201671E	Position Guide Lever Stop Screw Nut
4	200055C	Position Guide Lever Stop Screw
5	350612C	Presser Bar Screw (pressure regulating)
6	263499	Presser Bar Spring Stop Rod
7	236089	Presser Bar Spring
8	263496	Presser Bar Bushing (upper)
9	202338	Position Guide Lever with 200086ALX
10	200086ALX	Lever Pinch Screw
11	206608	Lifting Releasing Lever Bracket Spring
12	263497	Lifting Releasing Lever Bracket
13	263546	Tension Release Plunger
14	263495	Presser Bar Bushing (lower)
15	202671	Presser Bar Lifter
16	200666C	Lifter Hinge Screw
17	263505	Roller Presser and Bar complete, Nos. 200096D, 202558, 202559, 228740, 235087, 235088, 263501, 263504 and two 200141F
18	235088	Arm Bracket Position Collar with 200362C
19	200362C	Position Collar Set Screw
20	235087	Roller Presser Arm Bracket
21	263504	Roller Presser Bar
22	228740	Position Collar Lock Ring
23	200141F	Spring Stop Screw
24	202558	Roller Presser Arm Bracket Spring
25	202559	Spring Stop
26	263501	Roller Presser Arm 263500 with 351883
27	350104C	Roller Presser Hinge Screw
28	351883	Roller Presser, 1 in. diam., 9/64 in. face (fine) with 1528X, 201699C, 350104C and twenty-eight 206417
29	206417	Roller Presser Ball, 1/16 in. diameter
30	201699C	Roller Presser Ball Cone
31	263500	Roller Presser Arm
32	200096D	Roller Presser Arm Screw
33	1528X	Roller Presser Hinge Screw Nut
34	263491	Needle Bar Bushing (upper)
35	143058	Needle Bar Connecting Stud Slide Block
36	143057	Needle Bar Connecting Stud with 207E
37	207E	Connecting Stud Pinch Screw
38	263490	Needle Bar Bushing (lower)
39	263489	Needle Bar with 200125ALX, 200175D and 249270
40	200175D	Thread Guide Screw
41	200125ALX	Needle Set Screw
42	249270	Needle Bar Thread Guide
43	263521	Adjusting Rod Spring
44	201525E	Adjusting Rod Nut
45	263519	Idler Pulley Bracket Adjusting Rod with 201525E

PARTS FOR MACHINE No. 236w100

NEEDLE AND ROLLER PRESSER BARS



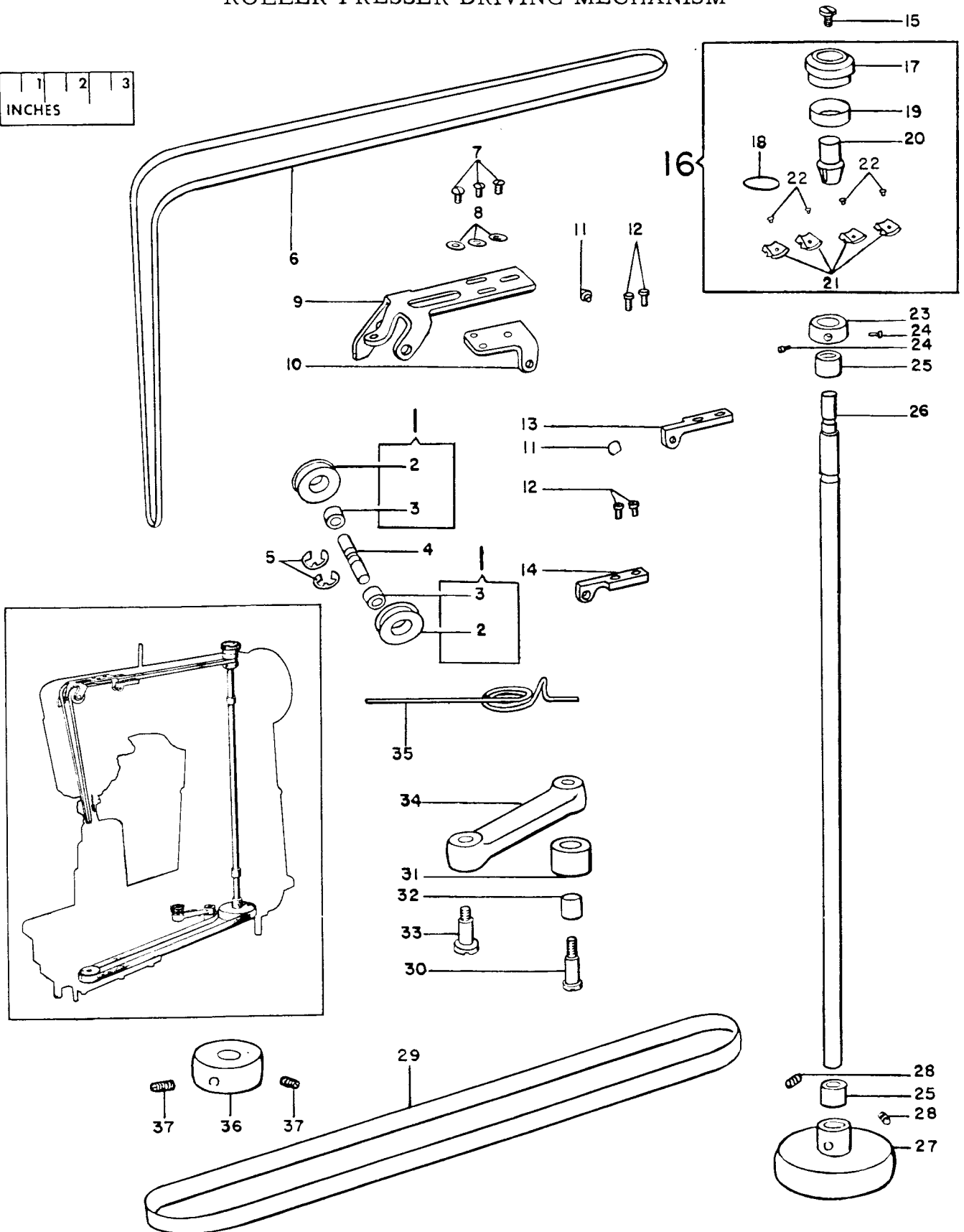
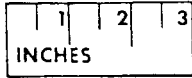
PARTS FOR MACHINE No. 236w100

ROLLER PRESSER DRIVING MECHANISM

<u>Ref. No.</u>	<u>Part No.</u>	<u>Description</u>
1	263566	(upper) Idler Pulley 263517 with 263565 (2)
2	263517	(upper) Idler Pulley
3	263565	Idler Pulley Needle Bearing
4	263526	Idler Pulley Spindle
5	263564	Spindle Retaining Ring (2)
6	263515	Roller Presser Driving Belt (upper)
7	1094D	Bracket Extension Screw (3)
8	208636	Screw Washer (3)
9	263518	(upper) Idler Pulley Bracket
10	263522	Bracket Extension with two 263523
11	263523	Bracket Extension Center
12	201387F	Bracket Extension Support Screw (4)
13	263524	Bracket Extension Support (back)
14	263525	Bracket Extension Support (front)
15	201110E	Pulley (var. diam.) (adjustable) Stop Screw
16	263532	Roller Presser Driving Belt (upper) Pulley (var. diam.) (adjustable) complete, Nos. 201748X, 263529 to 263531, four each 263527 and 263528
17	201748X	Pulley (var. diam.) (adjustable) Lock Nut
18	263529	Segment Retaining Ring
19	263530	Segment Ring
20	263531	Spreader Cone
21	263527	Pulley (var. diam.) (adjustable) Segment
22	263528	Segment Guide Stud
23	263534	Roller Presser Driving Shaft Collar with two 200111C
24	200111C	Collar Set Screw
25	268425	Driving Shaft Needle Bearing (2)
26	263533	Roller Presser Driving Shaft
27	263507	(lower) Driven Pulley with two 200403C
28	200403C	Driven Pulley Set Screw
29	263506	Roller Presser Driving Belt (lower)
30	200948C	(lower) Idler Pulley Hinge Screw
31	263510	(lower) Idler Pulley *263509 with 263513
32	263513	(lower) Idler Pulley Needle Bearing
33	660C	Idler Pulley Arm Hinge Screw
34	263511	(lower) Idler Pulley Arm
35	263512	Arm Spring
36	263508	(lower) Driving Pulley with two 200958C
37	200958C	Driving Pulley Set Screw
	*263509	Roller Presser Driving Belt (lower) Idler Pulley

PARTS FOR MACHINE No. 236w100

ROLLER PRESSER DRIVING MECHANISM



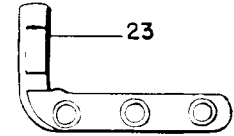
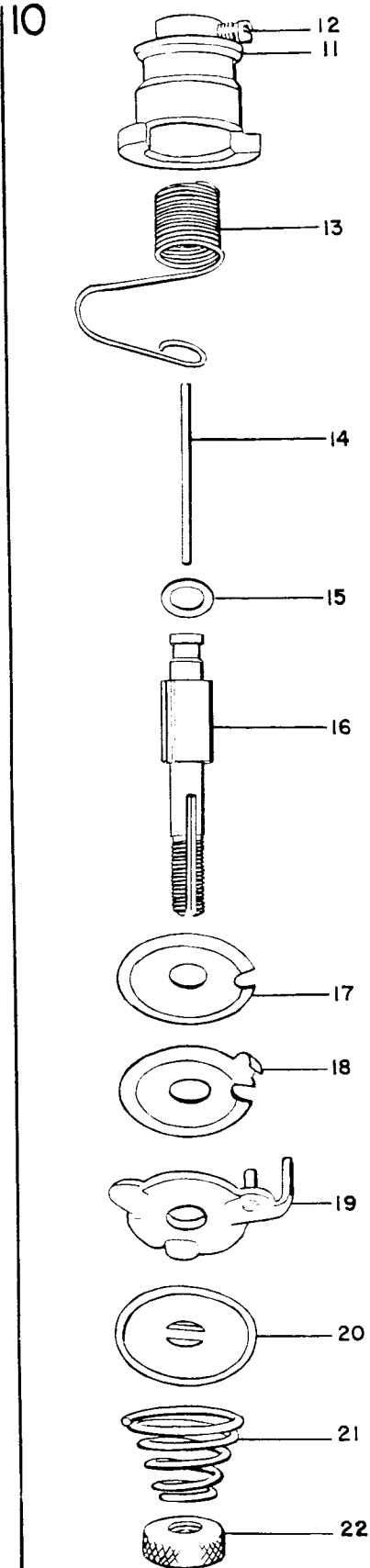
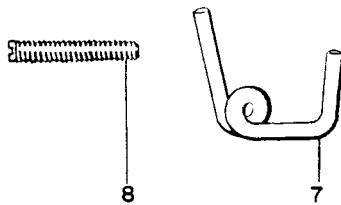
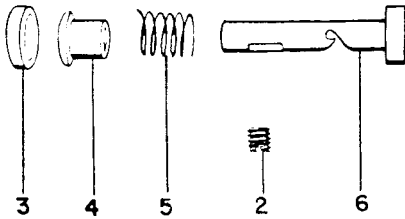
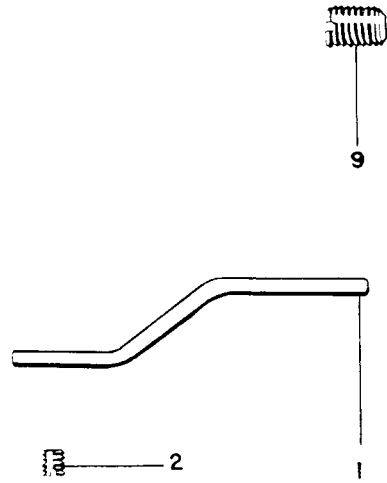
PARTS FOR MACHINE No. 236w100

TENSION COMPLETE AND THREAD GUIDES

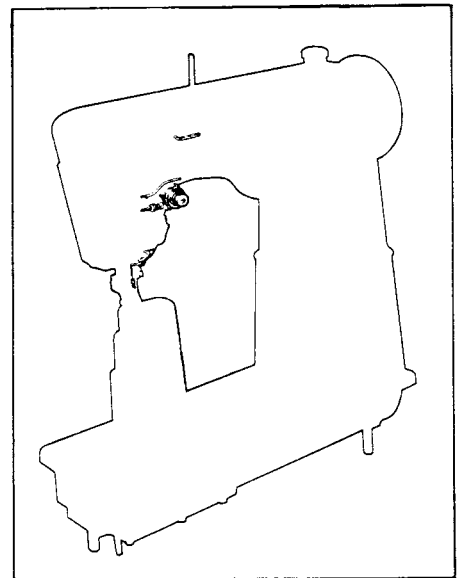
<u>Ref.</u> <u>No.</u>	<u>Part</u> <u>No.</u>	<u>Description</u>
1	263558	Thread Retainer Thread Guide
2	350559X	Set Screw (2)
3	210958	Thread Retainer Stud Collar
4	210993	Thread Retainer Sleeve
5	223844	Thread Retainer Spring
6	263557	Thread Retainer Stud
7	263553	Thread Guide (lower)
8	201237C	Thread Guide (lower) Set Screw
9	446ALX	Thread Controller Spring Regulator Set Screw
10	263551	Tension complete, Nos. 201572X, 202410, 223438, 244048, 244049, 263547 to 263549, 263552 and 350613F
11	263552	Thread Controller Spring Regulator with 50305C
12	50305C	Tension Stud Set Screw
13	202410	Thread Controller Spring
14	263548	Tension Releasing Pin
15	263550	Tension Stud Washer
16	350613F	Tension Stud with 263550
17	244048	Tension Disc (back)
18	244049	Tension Disc (front)
19	263547	Tension Release Washer
20	263549	Tension Spring Washer
21	223438	Tension Spring
22	201572X	Tension Thumb Nut
23	240034	Thread Retainer
24	201188C	Thread Retainer Set Screw

PARTS FOR MACHINE No. 236w100

TENSION COMPLETE AND THREAD GUIDES



	1	2
INCHES		



PARTS FOR MACHINE No. 236w104

SINGLE NEEDLE. LOCK STITCH. HIGH SPEED.
 POST MACHINE WITH BELT DRIVEN BED SHAFT, MECHANICALLY
 DRIVEN SUSPENDED HORIZONTAL UNDERTRIMMER
 FOR SIMULTANEOUSLY STITCHING THE EDGES AND UNDERTRIMMING
 THE LININGS OF SHOES, SANDALS, SLIPPERS, ETC.

Same as Machine No. 236W100 with the following exceptions:

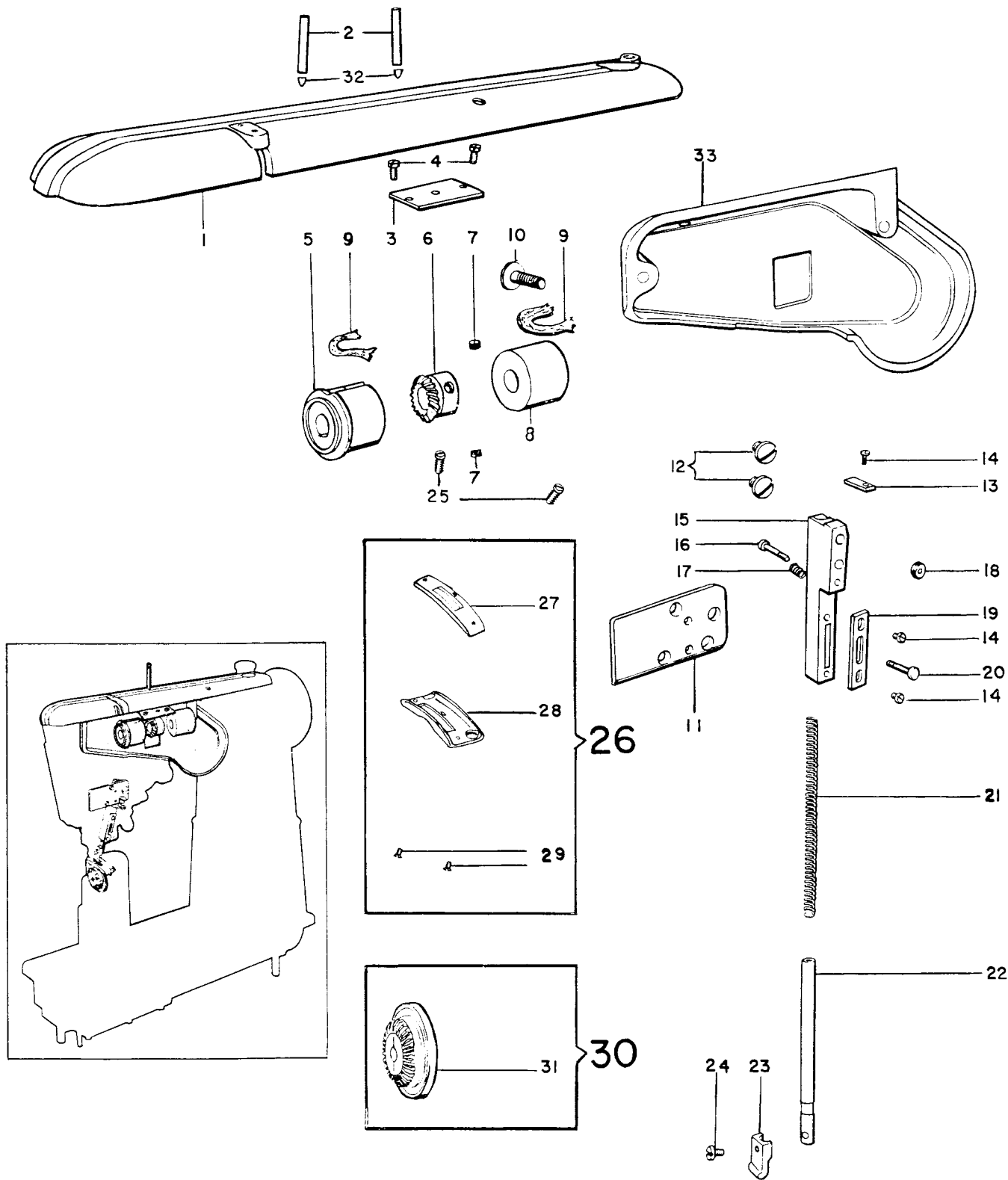
<u>Ref. No.</u>	<u>Part No.</u>	<u>Description</u>
1	263783	Arm Top Cover, used in place of 263412
2	263590	Arm Top Cover Oil Tube with 170168 (2)
3	263781	Gear Lubrication Reservoir Cover
4	200084F	Gear Lubrication Reservoir Cover Screw (2)
5	263782	Arm Shaft Bushing (front) with 202244, used in place of 263408
6	263779	Knife Driving Shaft Driving Gear with two 200382ALX
7	200382ALX	Knife Driving Shaft Driving Gear Set Screw
8	263407	Arm Shaft Bushing (center) with 202244
9	202244	Arm Shaft Bushing Oil Packing (wick)
10	200013E	Arm Shaft Bushing (center) Set Screw, used in place of 200224C
11	263752	Thread Lubricator and Edge Guide Bracket Mounting Plate, used in place of 263555
12	200093X	Edge Guide Bracket Screw (2)
13	263734	Edge Guide Rod Spring Plate
14	200166X	Plate Screw (3)
15	263728	Edge Guide Bracket
16	263731	Edge Guide Rod Plunger
17	263732	Edge Guide Rod Plunger Spring
18	201735E	Edge Guide Rod Plunger Nut
19	263729	Edge Guide Position Plate
20	200739F	Edge Guide Rod Lifting Screw
21	263733	Edge Guide Rod Spring
22	263730	Edge Guide Rod
23	263727	Edge Guide
24	200132X	Edge Guide Screw
25	200099X	Throat Plate Screw (2) used in place of 350620ALX
26	263717	Throat Plate complete, 56 elongated needle hole, for needle sizes 12 and 13, Nos. 249187, 263716 and two 200587D, used in place of 249105
27	263716	Throat Plate Needle Plate, 56 elongated needle hole, for needle sizes 12 and 13 (minimum trimming margin .060 inch)
28	249187	Throat Plate Body
29	200587D	Throat Plate Needle Plate Screw
30	263662	Feed Wheel 263660 with 263450 to 263452, three 200587D and sixty 206417
31	263660	Feed Wheel
32	170168	Arm Top Cover Oil Tube Oil Metering Insert
33	263784	Knife Driving Mechanism Guard, used in place of 263634
	263659	Feed Post 263438 with 249019, 249092, 263442, 263453, 263455, 263460, 263461, 263662, 350411C and two 200137X, used in place of 263439

Note: For Illustration of Feed Post 263438 Etc., See Page 23

*263776 Arm, used in place of *263401

PARTS FOR MACHINE No. 236w104

Same as Machine No. 236W100 with the following exceptions:



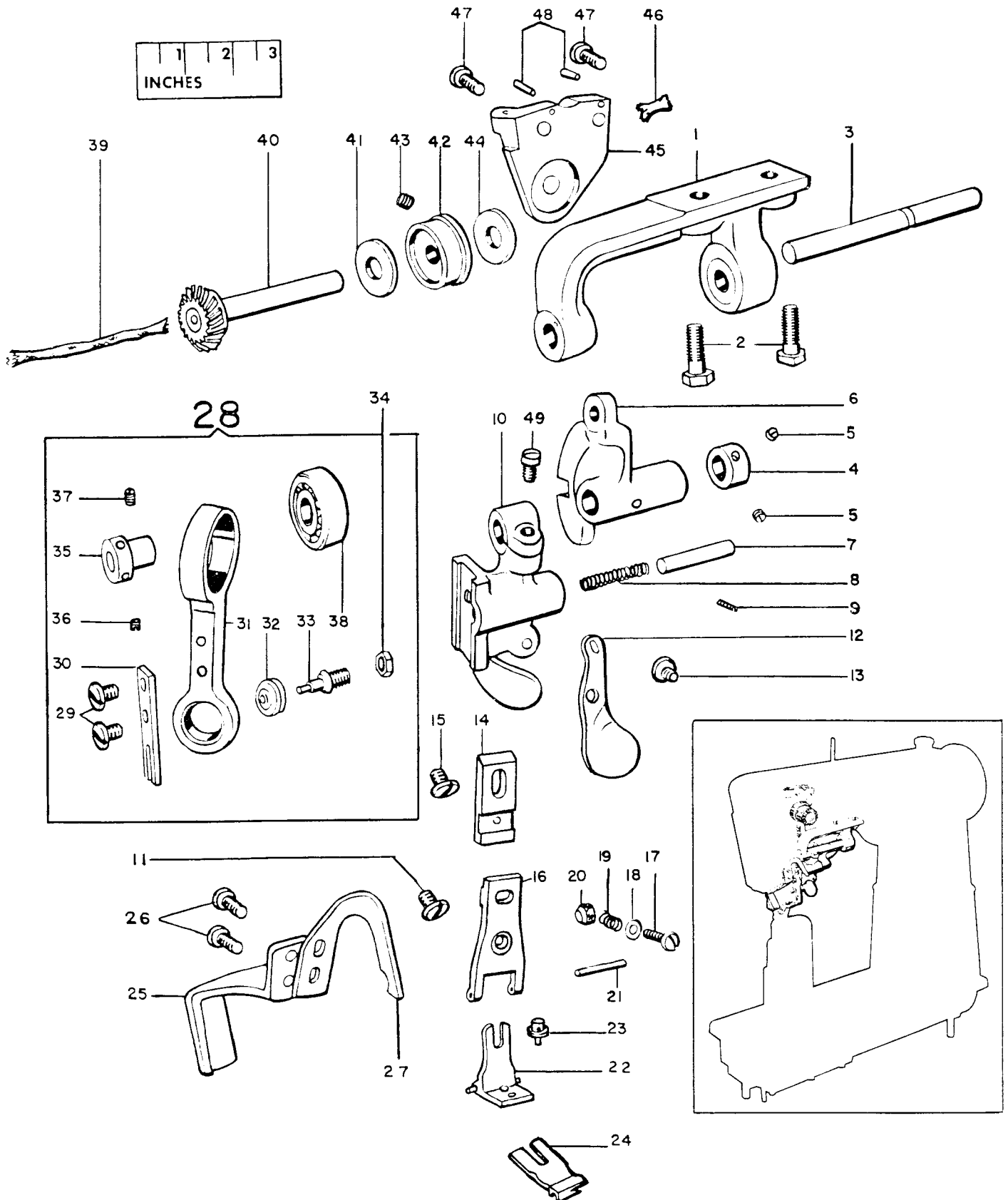
PARTS FOR MACHINE No. 236w104

Same as Machine No. 236W100 with the following exceptions:

<u>Ref. No.</u>	<u>Part No.</u>	<u>Description</u>
1	263741	Knife Driving Bell Crank Bracket
2	350614C	Knife Driving Bell Crank Bracket Screw (2)
3	263742	Knife Driving Bell Crank Shaft
4	268072	Knife Driving Bell Crank Shaft Collar with two 200386C
5	200386C	Knife Driving Bell Crank Shaft Collar Set Screw
6	263740	Knife Driving Bell Crank
7	263737	Knife Driving Arm Locking Plunger
8	263738	Knife Driving Arm Locking Plunger Spring
9	350624C	Knife Driving Arm Locking Plunger Position Screw
10	263736	Knife Driving Arm with 200053C
11	200065C	Screw
12	249171	Knife Driving Arm Unlocking Lever
13	200934D	Knife Driving Arm Unlocking Lever Hinge Screw
14	249162	Knife Adjusting Plate
15	201256D	Knife Adjusting Plate Screw
16	249164	Knife Bracket Arm
17	201042E	Knife Bracket Adjusting Screw
18	202101	Knife Bracket Adjusting Screw Washer
19	249166	Knife Bracket Spring
20	201574D	Knife Bracket Adjusting Screw Nut
21	249165	Knife Bracket Hinge Pin
22	249163	Knife Bracket
23	350625F	Knife Screw
24	263735	Knife
25	263750	Knife Guard
26	200054E	Knife Driving Arm Retainer and Knife Guard Screw (2)
27	263739	Knife Driving Arm Retainer
28	263745	Knife Driving Connection complete, Nos. 263744 263746 to 263749, 350633C and two 200160X
29	200160X	Knife Driving Connection Guide Plate Screw
30	263748	Knife Driving Connection Guide Plate
31	263744	Knife Driving Connection
32	263746	Knife Driving Connection Bearing (lower) (small)
33	350633C	Knife Driving Connection Hinge Screw
34	51699X	Knife Driving Connection Hinge Screw Nut
35	263749	Knife Driving Eccentric with 200365C and 201052ALX
36	201052ALX	Knife Driving Eccentric Set Screw
37	200365C	Knife Driving Eccentric Position Screw
38	263747	Knife Driving Connection Bearing (upper) (large)
39	263778	Knife Driving Shaft Oil Packing (wick)
40	263777	Knife Driving Shaft with 263778
41	250405	Knife Driving Shaft Thrust Washer
42	263631	Knife Driving Shaft Bushing
43	200364C	Knife Driving Shaft Bushing Set Screw
44	263626	Knife Driving Eccentric Thrust Washer
45	263751	Knife Driving Shaft Bracket with 203101
46	203101	Knife Driving Shaft Bracket Oil Packing (wick)
47	200050C	Knife Driving Shaft Bracket Screw (2)
48	232154	Knife Driving Shaft Bracket Position Pin (2)
49	200053C	Knife Driving Arm Pinch Screw

PARTS FOR MACHINE No. 236w104

Same as Machine No. 236W100 with the following exceptions:



PARTS FOR MACHINE No. 236w105

SINGLE NEEDLE. LOCK STITCH. HIGH SPEED. POST MACHINE
WITH BELT DRIVEN BED SHAFT. HORIZONTAL UNDERTRIMMER. FOR
SIMULTANEOUSLY STITCHING THE EDGES AND UNDERTRIMMING THE
LININGS OF SHOES, SANDALS, SLIPPERS, ETC.

Same as Machine No. 236W100 with the following exceptions:

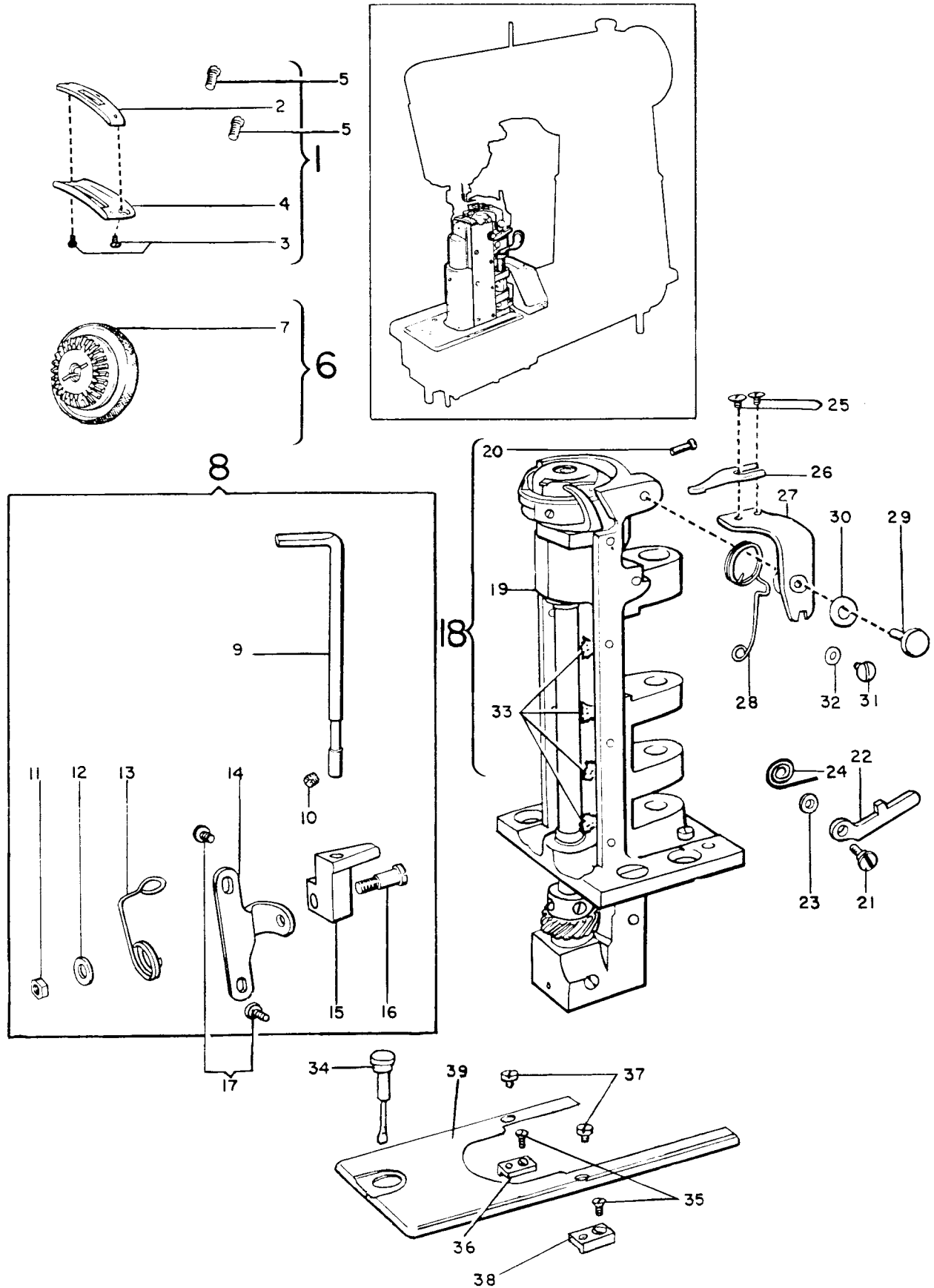
<u>Ref. No.</u>	<u>Part No.</u>	<u>Description</u>
1	263717	Throat Plate complete, 56 elongated needle hole, for needle sizes 12 and 13, Nos. 249187, 263716 and two 200587D, used in place of 249105
2	263716	Throat Plate Needle Plate, 56 elongated needle hole, for needle sizes 12 and 13 (minimum trimming margin .060 in.)
3	200587D	Throat Plate Needle Plate Screw
4	249187	Throat Plate Body
5	200099X	Throat Plate Screw (2) used in place of 350620ALX
6	263662	Feed Wheel 263660 with 263450 to 263452, three 200587D and sixty 206417
7	263660	Feed Wheel
8	263685	Knife Guard Holder complete, Nos. 200197C, 201527E, 225837 and 263681 to 263684
9	263681	Knife Guard
10	200403C	Knife Guard Set Screw
11	201527E	Knife Guard Holder Hinge Screw Nut
12	225837	Knife Guard Holder Hinge Screw Nut Washer
13	263684	Knife Guard Holder Spring
14	263683	Knife Guard Holder Bracket
15	263682	Knife Guard Holder with 200403C
16	200197C	Knife Guard Holder Hinge Screw
17	200076D	Knife Guard Holder Bracket Screw (2)
18	263664	Hook Post 263663 with 200121E, 200130F, 200354C, 200396C, 200989X, 201397C, 203478, 234426, 247623, 263421, 263464, 263476, 263478 to 263482, 263568, 263593, 263594, 265522, 350609E, 350611X two each 201418C, 263582 and four 263093, used in place of 263474
19	263663	Hook Post
20	201397C	Edge Guide Bracket Hinge Stud Set Screw
21	200269XC	Edge Guide Bracket Latch Hinge Screw
22	263657	Edge Guide Bracket Latch
23	263690	Edge Guide Bracket Latch Spacing Washer
24	263658	Edge Guide Bracket Latch Spring
25	200173D	Edge Guide Screw (2)
26	241732	Edge Guide
27	263655	Edge Guide Bracket
28	263691	Edge Guide Bracket Release and Stop Spring
29	263656	Edge Guide Bracket Hinge Stud
30	206840	Edge Guide Bracket Hinge Stud Spring Washer
31	200161X	Edge Guide Bracket Release and Stop Spring Screw
32	202603	Edge Guide Bracket Release and Stop Spring Screw Washer
33	263093	Knife Bracket Arm Oil Packing (wick)
34	263600	Oil Reservoir Oil Guage (Same as 236w100)
35	200578X	Base Cover Support Screw (2)
36	263804	Base Cover Support (back)
37	350316X	Base Cover Screw (2)
38	263803	Base Cover Support (front)
39	263801	Feed Post Base Cover
	263659	Feed Post 263438 with 249019, 249092, 263442, 263453, 263455, 263460, 263461, 263662, 350411C and two 200137X, used in place of 263439

Note: For Illustration of 263438 Feed Post Etc., See Page 23

*263701 Bed, used in place of *263413

PARTS FOR MACHINE No. 236w105

Same as Machine No.236W100 with the following exceptions:



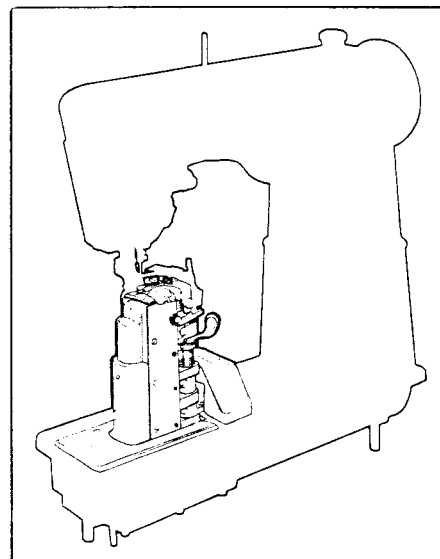
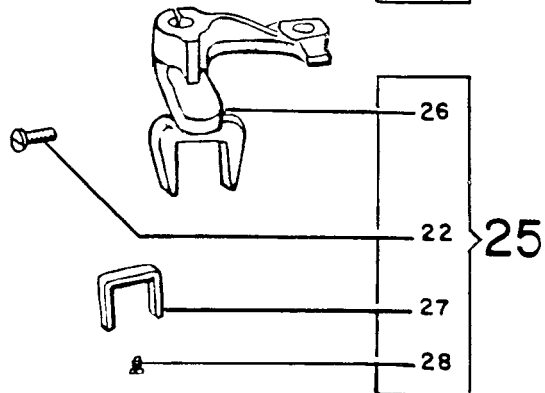
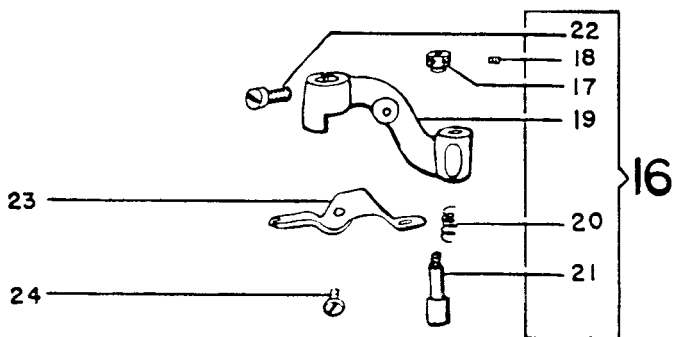
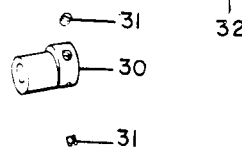
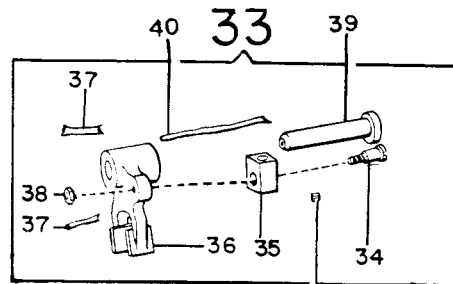
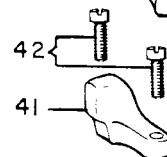
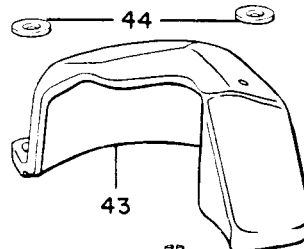
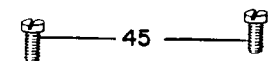
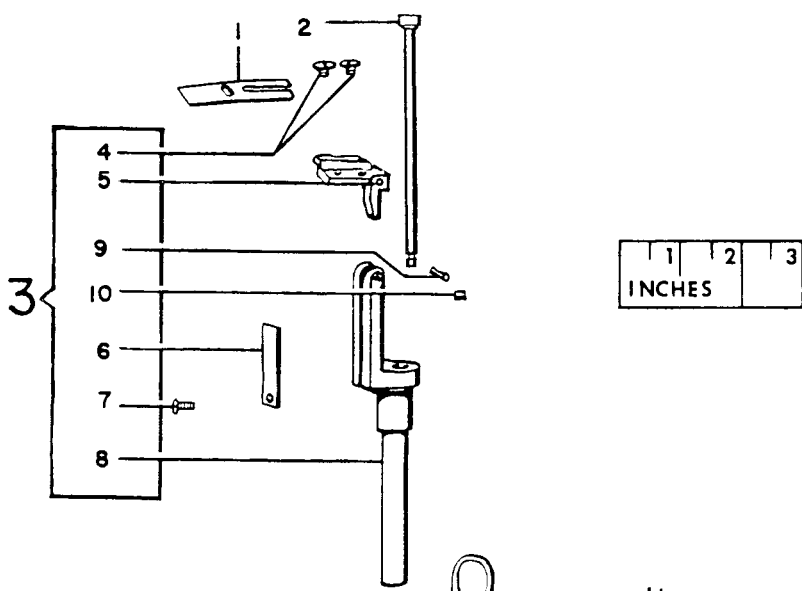
PARTS FOR MACHINE No. 236w105

Same as Machine No. 236w100 with the following exceptions:

<u>Ref. No.</u>	<u>Part No.</u>	<u>Description</u>
1	238508	Knife
2	263688	Knife Switch-out Plunger
3	263667	Knife Bracket Arm complete, Nos. 263665, 263666, 263669, 263670, 350238D, 350355C and two 200169X
4	200169X	Knife Screw
5	263665	Knife Bracket
6	263670	Knife Bracket Spring
7	350238D	Knife Bracket Spring Screw
8	263666	Knife Bracket Arm
9	263669	Knife Bracket Hinge Pin
10	350355C	Knife Bracket Adjusting Screw
11	263686	Knife Switch-in Lever with 200061ALX
12	200061ALX	Knife Switch-in Lever Pinch Screw
13	200380C	Knife Bracket Arm Spring Adjusting Collar Set Screw
14	214833	Knife Bracket Arm Spring Adjusting Collar with 200380C
15	263668	Knife Bracket Arm Spring
16	263676	Knife Driving Lever (upper) complete, Nos. 201725D, 241721, 263674 and 263675
17	201725D	Locking Plunger Spring Thumb Nut with 200389C
18	200389C	Locking Plunger Spring Thumb Nut Set Screw
19	263674	Knife Driving Lever (upper) with 200048C
20	241721	Knife Driving Lever (upper) Locking Plunger Spring
21	263675	Knife Driving Lever (upper) Locking Plunger
22	200048C	Knife Driving Lever Pinch Screw
23	263687	Knife Switch-out Lever
24	200284D	Knife Switch-out Lever Hinge Screw
25	263715	Knife Driving Lever (lower) complete, Nos. 104D, 24173 and 263714
26	263714	Knife Driving Lever (lower) with 200048C and *249288
27	24173	Knife Driving Lever Fork Swivel
28	104D	Knife Driving Lever Fork Swivel Screw
29	241738	Knife Driving Lever (lower) Shaft
30	263703	Knife Driving Eccentric with two 200394C
31	200394C	Knife Driving Eccentric Set Screw
32	200403C	Knife Driving Fork Lever Hinge Stud Set Screw
33	263705	Knife Driving Fork Lever 263704 with 200243C, 201531X and 249282
34	200243C	Knife Driving Fork Lever Slide Block Hinge Screw
35	249282	Knife Driving Fork Lever Slide Block
36	263704	Knife Driving Fork Lever with two 263708
37	263708	Oiling Wick
38	201531X	Knife Driving Fork Lever Slide Block Hinge Screw Nut
39	263706	Knife Driving Fork Lever Hinge Stud with 263707
40	263707	Knife Driving Fork Lever Hinge Stud Oiling Wick
41	263712	Knife Driving Lever (upper) Stop Bracket
42	129E	Knife Driving Lever (upper) Stop Bracket Screw (2)
43	263677	Knife Driving Lever Guard
44	203411	Knife Driving Lever Guard Screw Washer (2)
45	201256E	Knife Driving Lever Guard Screw (2)
	*249288	Knife Driving Lever Fork

PARTS FOR MACHINE No. 236w105

Same as Machine No. 236w100 with the following exceptions:



PARTS FOR MACHINE No. 236w110

SINGLE NEEDLE. LOCK STITCH. HIGH SPEED. POST MACHINE

WITH BELT DRIVEN BED SHAFT. OBLIQUE UNDEREDGE TRIMMER.

FOR SIMULTANEOUSLY STITCHING THE EDGES AND UNDERTRIMMING

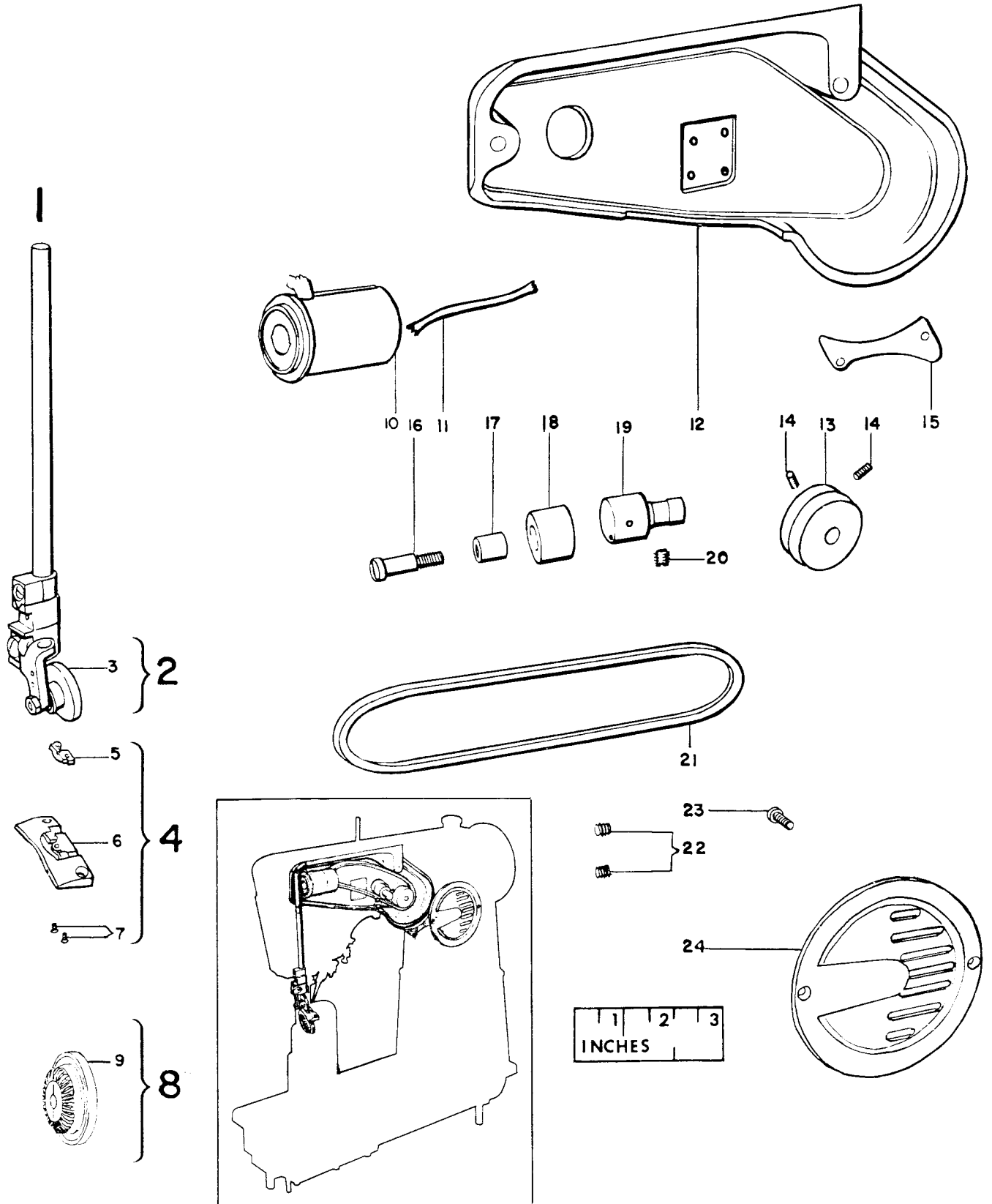
THE LINING OF SHOES, SANDALS, SLIPPERS, ETC.

Same as Machine No. 236W100 with the following exceptions:

Ref. No.	Part No.	<u>Description</u>
1	263638	Roller Presser and Bar complete, Nos. 200096D, 202558, 202559, 228740, 235087, 235088, 263504, 263637 and two 200141F, used in place of 263505
2	263637	Roller Presser Arm 263500 with 351884
3	351884	Roller Presser, 1 in. diam., 9/64 in. face (fine) with 1528X, 201699C, 350104C and twenty-eight 206417
4	248912	Throat Plate complete, .055 in. diam. needle hole, trims back of the needle and .025 in. to the right of seam, Nos. 248910, 248911 and two 200587D, used in place of 249105
5	248911	Throat Plate Knife Cutting Plate, .055 in. diam. needle hole, trims back of the needle and .025 in. to right of seam
6	248910	Throat Plate Body
7	200587D	Throat Plate Knife Cutting Plate Screw
8	263607	Feed Wheel 263605 with 263450 to 263452, three 200587D and sixty 206417
9	263605	Feed Wheel
10	263640	Arm Shaft Bushing (front) with 202244, used in place of 263408
11	276046	Knife Driving Shaft Oil Wick (in Arm)
12	263639	Motor and Belt Guard, used in place of 263634
13	263635	Motor Pulley (double grooved) for "V" belt, 1-13/32 and 1-33/64 in. diam. belt grooves, with two 200351C
14	200351C	Motor Pulley Set Screw
15	263636	Motor Terminal Block Lead Wire Cover Plate, used in place of 263404
16	200948C	Knife Driving Belt Idler Pulley Hinge Screw
17	263513	Knife Driving Belt Idler Pulley Needle Bearing
18	263510	Knife Driving Belt Idler Pulley *263509 with 263513
19	263621	Knife Driving Belt Idler Pulley Adjusting Stud
20	200358C	Knife Driving Belt Idler Pulley Adjusting Stud Set Screw
21	263620	Knife Driving Belt
22	200362C	Motor Set Screw (2)
23	145X	Motor Terminal Block Screw (Furnished with Motor)
24	263602	Arm Cover (front) (Motor Vent) used in place of 263403
	263604	Feed Post 263438 with 249019, 249092, 263442, 263453, 263455, 263460, 263461, 263607, 350411C and two 200137X, used in place of 263439
	TK-161	Motor (see page 51 For Illustration of Motor)
	995536	Motor Control Box with two wood screws 1/2 in., No. 12, R. H. B. (see page 51 For Illustration of Motor Control Box)
	*263601	Arm, used in place of *263401
	*263509	Knife Driving Belt Idler Pulley

PARTS FOR MACHINE No. 236w110

Same as Machine No. 236W100 with the following exceptions:



PARTS FOR MACHINE No. 236w110

263603 Bracket (Underedge) Complete

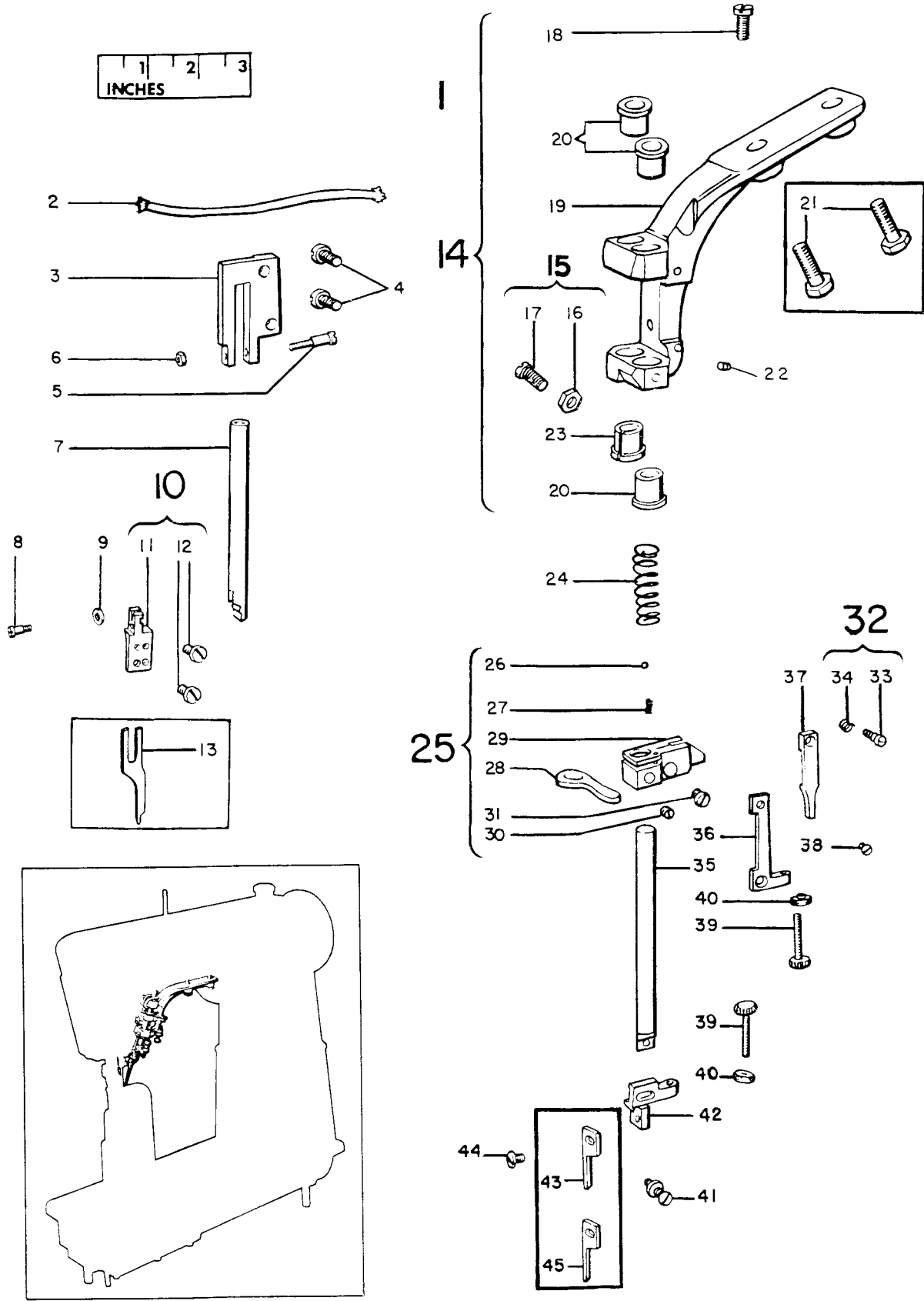
Same as Machine No. 236W100 with the following exceptions:

Ref. No.	Part No.	Description
I	263603	Bracket (underedge) complete, Nos. 200094F, 200577AL, 200904D, 202603, 204233, 204361, 204365, 241633, 248880 to 248882, 248895, 263608, 263610, 263612, 263633, 267263, 350302F and two 200028D
2	267263	Knife Bar Position Guide Oiling Wick
3	263612	Knife Bar Position Guide with 200031X and 201534X
4	200028D	Knife Bar Position Guide Screw
5	200031X	Knife Bar Position Guide Pinch Screw
6	201534X	Knife Bar Position Guide Pinch Screw Nut
7	263608	Knife Bar
8	200094F	Knife Holder Screw
9	202603	Knife Holder Screw Washer
10	263633	Knife Holder 263632 with two 200126F
11	263632	Knife Holder
12	200126F	Knife Screw
13	248929	Knife
14	248895	Bracket (underedge) 248894 with 200077D, 200888, 201142C, 204411 and three 248896
15	200888	Knife Bar Sleeve Set Screw 200043C with 201524E
16	201524E	Knife Bar Sleeve Set Screw Nut
17	200043C	Knife Bar Sleeve Set Screw
18	200077D	Knife Bar Bushing Screw
19	248894	Bracket (underedge)
20	248896	Bar Bushing
21	350614X	Bracket (underedge) Screw (2)
22	201142C	Guide Finger Clamp Bar Bushing Set Screw
23	204411	Knife Bar Sleeve (split)
24	204365	Guide Finger Clamp Bar Spring
25	241633	Guide Finger Clamp Bar Position Guide complete, Nos. 241625 and 241626
26	36737	Guide Finger Disengaging Lever Friction Ball, 1/8 in. diameter
27	204389	Guide Finger Disengaging Lever Friction Ball Spring
28	241626	Guide Finger Disengaging Lever
29	241625	Guide Finger Clamp Bar Position Guide with 36737, 200078X, 200387C and 204389
30	200387C	Guide Finger Clamp Bar Position Guide Set Screw
31	200078X	Guide Finger Clamp Bar Position Guide Pinch Screw
32	204233	Guide Finger Clamp Bar Latch Spring 204230 with 200802E
33	200802E	Guide Finger Clamp Bar Latch Hinge Screw
34	204230	Guide Finger Clamp Bar Latch Spring
35	248881	Guide Finger Clamp Bar
36	248882	Guide Finger Clamp Bar Position Guide Slide with 1724E and 201217D
37	204361	Guide Finger Clamp Bar Latch
38	200577AL	Guide Finger Clamp Bar Position Guide Slide Screw
39	201217D	Guide Finger Clamp Bar Stop Adjusting Screw
40	1724E	Guide Finger Clamp Bar Stop Adjusting Screw Thumb Nut
41	350302F	Guide Finger Bracket Screw
42	248880	Guide Finger Bracket with 1724E and 201217D
43	248878	Guide Finger
		Note: Guide Finger 248878 is furnished with this machine unless otherwise specified on order.
44	200904D	Guide Finger Screw
45	248879	Guide Finger with projection to guard Knife

PARTS FOR MACHINE No. 236w110

263603 Bracket (Underedge) Complete

Same as Machine No. 236W100 with the following exceptions:



PARTS FOR MACHINE No. 236w110

263603 Bracket (Underedge) Complete (continued)(Refs. 1 to 14)

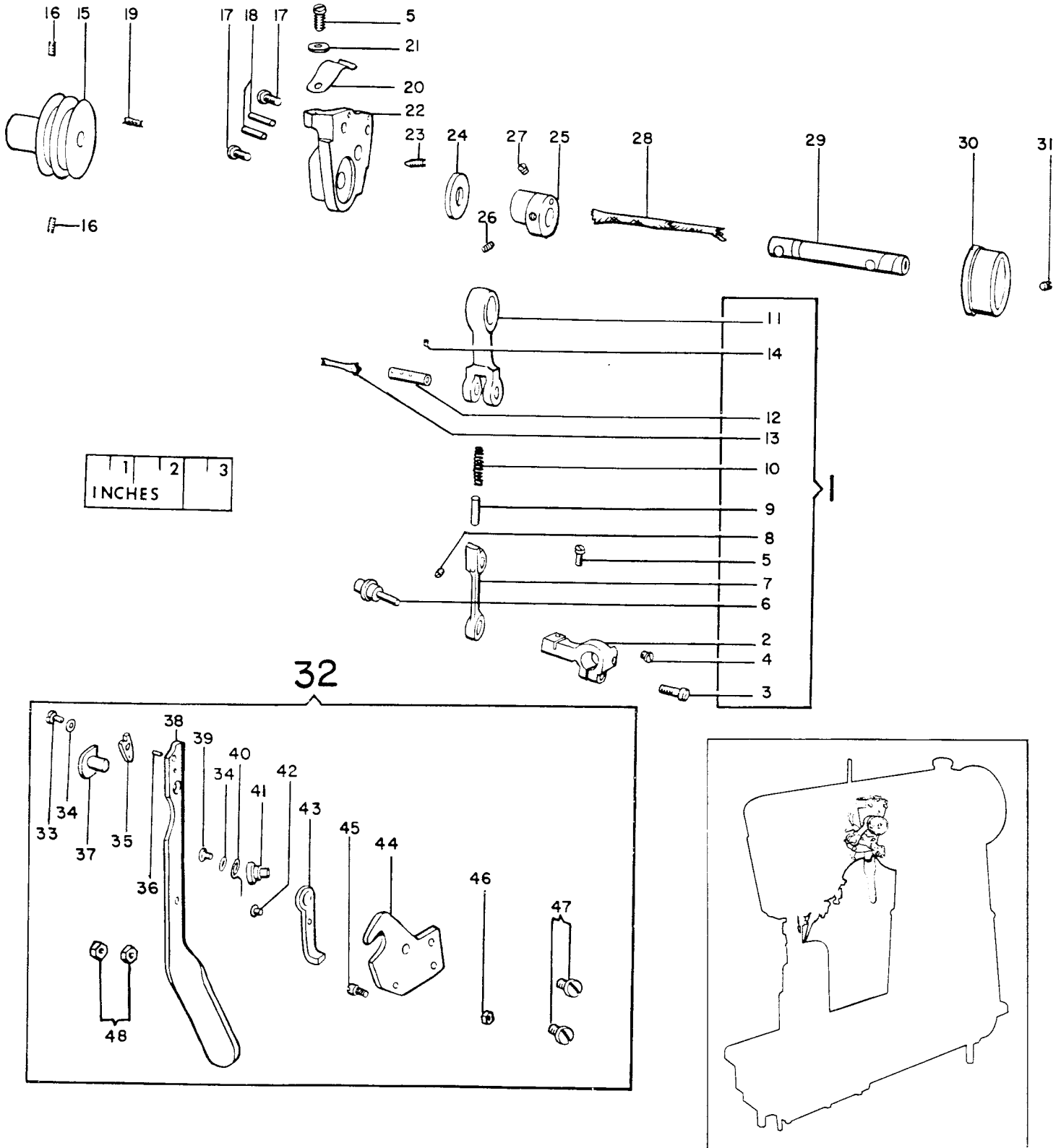
Same as Machine No. 236W100 with the following exceptions:

Ref. No.	Part No.	Description
1	263610	Knife Bar Driving Connection 263609 with 222013, 263611, 263622 to 263624 and 263627
2	263609	Knife Bar Driving Connection with 200069C, 200089C and 200381C
3	200069C	Knife Bar Driving Connection Pinch Screw
4	200381C	Knife Bar Driving Connection Set Screw
5	200089C	Screw
6	263611	Knife Bar Driving Link Hinge Stud
7	263627	Knife Driving Link with 200389C
8	200389C	Knife Driving Connection Hinge Pin Position Screw
9	263624	Knife Driving Connection Plunger with 200693C
10	222013	Knife Driving Connection Plunger Spring
11	263622	Knife Driving Connection
12	263623	Knife Driving Connection Hinge Pin with 272115
13	272115	Knife Driving Connection Hinge Pin Oiling Wick
14	200693C	Knife Driving Connection Plunger Screw
15	263645	Knife Driving Shaft Belt Pulley with two 200351C
16	200351C	Knife Driving Shaft Belt Pulley Set Screw
17	200050C	Knife Driving Shaft Bracket Screw (2)
18	232154	Knife Driving Shaft Bracket Position Pin (2)
19	203101	Knife Driving Shaft Bracket Oil Packing (wick)
20	263617	Knife Control Lever Position Spring
21	202603	Knife Control Lever Position Spring Screw Washer
22	263630	Knife Driving Shaft Bracket with 200417C and 203101
23	200417C	Knife Control Lever Hinge Stud Set Screw
24	263626	Knife Driving Eccentric Thrust Washer
25	263625	Knife Driving Eccentric with 200365C and 201052ALX
26	200365C	Knife Driving Eccentric Position Screw
27	201052ALX	Knife Driving Eccentric Set Screw
28	224390	Knife Driving Shaft Oil Packing (wick) (in Shaft)
29	263628	Knife Driving Shaft with 224390
30	263631	Knife Driving Shaft Bushing
31	200364C	Knife Driving Shaft Bushing Set Screw
32	263619	Knife Control Lever complete, Nos. 217E, 40058, 201478C, 263613, 263615, 263616, 263618, 350109C, two each 200064X, 201706X and 206482
33	201478C	Knife Control Lever Position Spring Adjusting Plate Screw
34	206482	Screw Washer
35	263618	Knife Control Lever Position Spring Adjusting Plate
36	232348	Knife Control Lever Position Spring Adjusting Plate Pin
37	263614	Knife Control Lever Hinge Stud
38	263613	Knife Control Lever with 232348
39	217E	Knife Control Lever Latch Spring Screw
40	40058	Knife Control Lever Latch Spring
41	350109C	Knife Control Lever Latch Hinge Screw
42	200316C	Knife Control Lever Latch Spring Stop Screw
43	263615	Knife Control Lever Latch with 200316C
44	263616	Knife Control Lever Plate with 201537X and 350615C
45	350615C	Knife Control Lever Latch Adjusting Screw
46	201537X	Knife Control Lever Latch Adjusting Screw Nut
47	200064X	Knife Control Lever Plate Screw
48	201706X	Knife Control Lever Plate Screw Nut

PARTS FOR MACHINE No. 236w110

263603 Bracket (Underedge) Complete (continued)(Refs. 1 to 14)

Same as Machine No. 236W100 with the following exceptions:



50

MOTOR

MOTOR CONTROL BOX
(995536)

FOR MACHINES NOS. 236w110, 236w111 AND 236w112

<u>Ref. No.</u>	<u>Part No.</u>	<u>Description</u>
1	995536	Motor Control Box with two wood screws 1/2 in., No. 12 R. H. B.

TK-161 MOTOR

FOR MACHINES NOS. 236w110, 236w111 AND 236w112

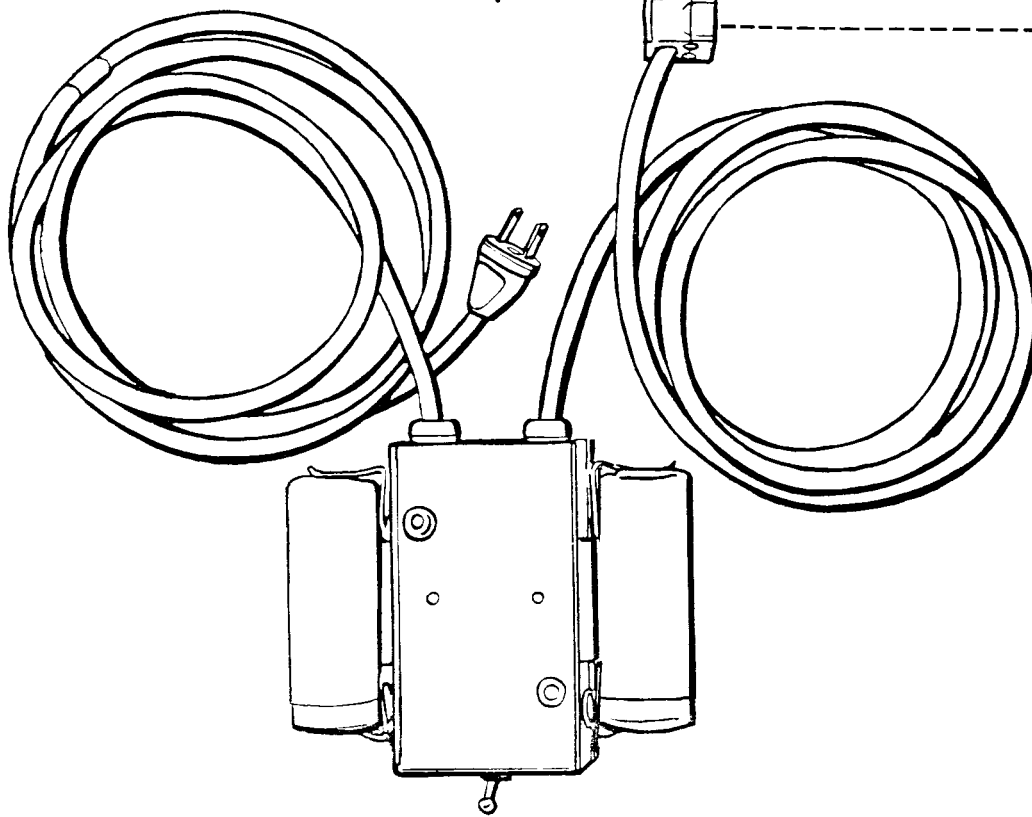
2	TK-161	Motor
---	--------	-------

MOTOR

FOR MACHINES NOS. 236w110, 236w111 AND 236w112

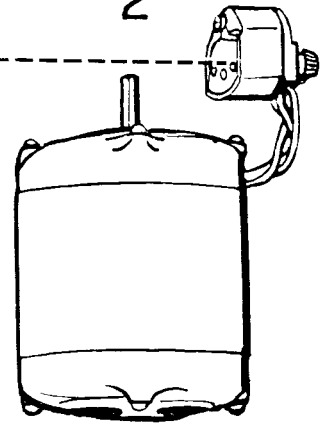
MOTOR CONTROL BOX
(995536)

1



TK-161 MOTOR

2



PARTS FOR MACHINE No. 236wIII

SINGLE NEEDLE, LOCK STITCH, HIGH SPEED.
 POST MACHINE WITH BELT DRIVEN BED SHAFT.
 MOTOR DRIVEN HORIZONTAL UNDERTRIMMER. FOR SIMULTANEOUSLY
 STITCHING THE EDGES AND UNDERTRIMMING
 THE LINING OF SHOES, SANDALS, SLIPPERS, ETC.

Same as Machine No. 236W100 with the following exceptions:

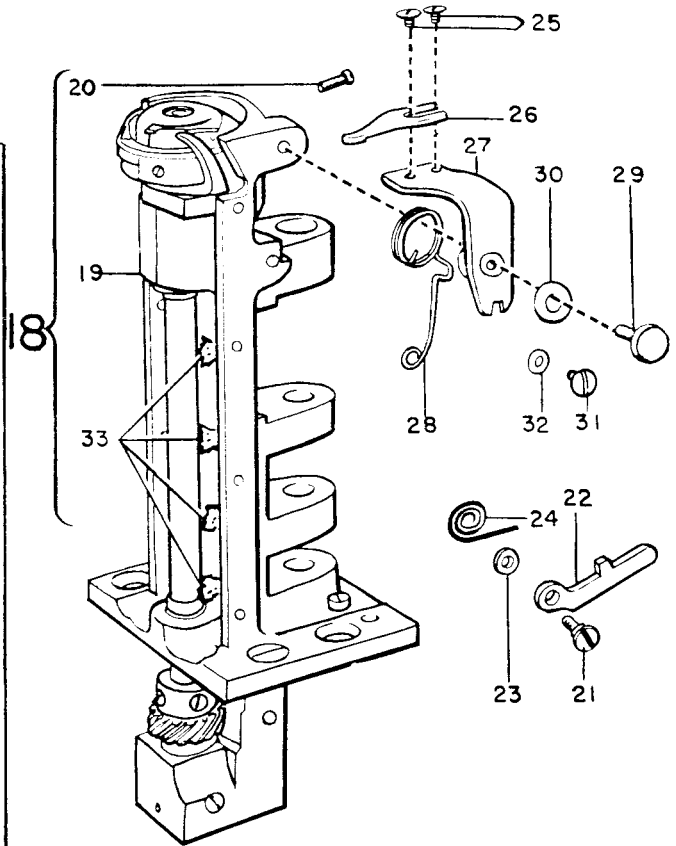
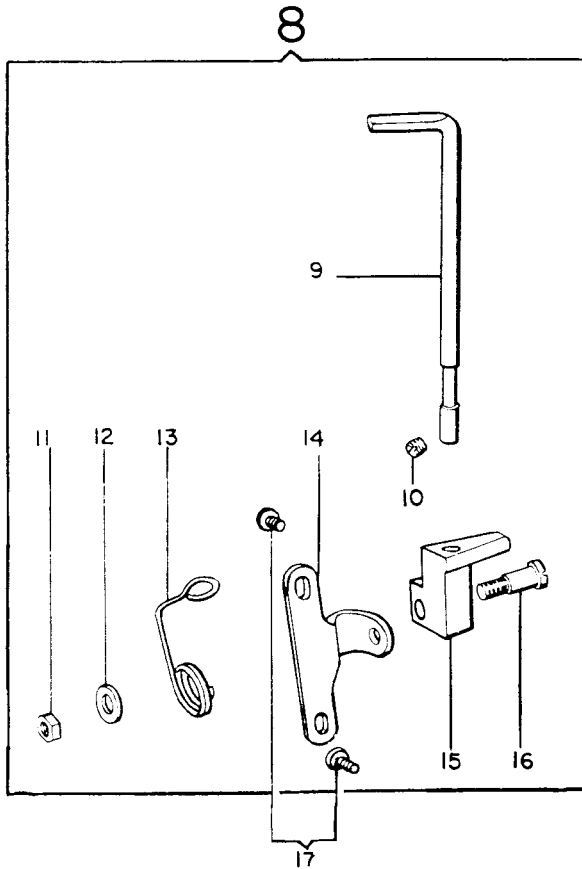
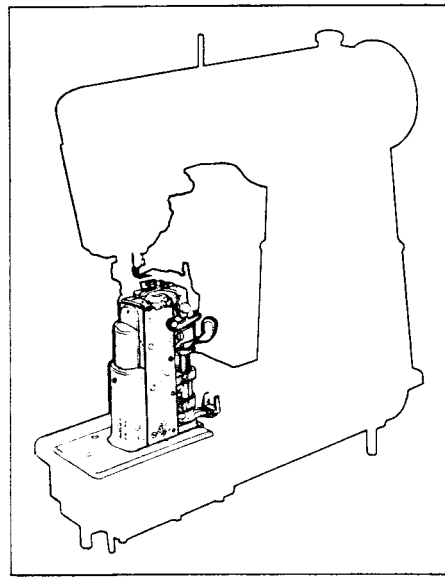
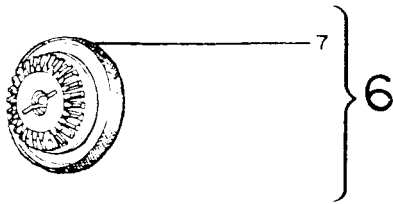
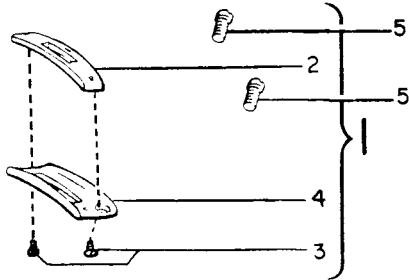
<u>Ref. No.</u>	<u>Part No.</u>	<u>Description</u>
1	263717	Throat Plate complete, 56 elongated needle hole, for needle sizes 12 and 13, Nos. 249187, 263716 and two 200587D, used in place of 249105
2	263716	Throat Plate Needle Plate, 56 elongated needle hole, for needle sizes 12 and 13 (minimum trimming margin .060 in.)
3	200587D	Throat Plate Needle Plate Screw
4	249187	Throat Plate Body
5	200099X	Throat Plate Screw (2) used in place of 350620ALX
6	263662	Feed Wheel 263660 with 263450 to 263452, three 200587D and sixty 206417
7	263660	Feed Wheel
8	263685	Knife Guard Holder complete, Nos. 200197C, 201527E, 225837 and 263681 to 263684
9	263681	Knife Guard
10	200403C	Knife Guard Set Screw
11	201527E	Knife Guard Holder Hinge Screw Nut
12	225837	Knife Guard Holder Hinge Screw Nut Washer
13	263684	Knife Guard Holder Spring
14	263683	Knife Guard Holder Bracket
15	263682	Knife Guard Holder with 200403C
16	200197C	Knife Guard Holder Hinge Screw
17	200076D	Knife Guard Holder Bracket Screw (2)
18	263664	Hook Post 263663 with 200121E, 200130F, 200354C, 200396C, 200989X, 201397C, 203478, 234426, 247623, 263421, 263464, 263476, 263478 to 263482, 263568, 263593, 263594, 265522, 350609E, 350611X two each 201418C, 263582 and four 263093, used in place of 263474
19	263663	Hook Post
20	201397C	Edge Guide Bracket Hinge Stud Set Screw
21	200269XC	Edge Guide Bracket Latch Hinge Screw
22	263657	Edge Guide Bracket Latch
23	263690	Edge Guide Bracket Latch Spacing Washer
24	263658	Edge Guide Bracket Latch Spring
25	200173D	Edge Guide Screw (2)
26	241732	Edge Guide
27	263655	Edge Guide Bracket
28	263691	Edge Guide Bracket Release and Stop Spring
29	263656	Edge Guide Bracket Hinge Stud
30	206840	Edge Guide Bracket Hinge Stud Spring Washer
31	200161X	Edge Guide Bracket Release and Stop Spring Screw
32	202603	Edge Guide Bracket Release and Stop Spring Screw Washer
33	263093	Knife Bracket Arm Oil Packing (wick)
	263659	Feed Post 263438 with 249019, 249092, 263442, 263453, 263455, 263460, 263461, 263662, 350411C and two 200137X, used in place of 263439

Note: For Illustration of 263438 Feed Post Etc., See Page 23

263651 Arm Base, used in place of 263402

PARTS FOR MACHINE No. 236wIII

Same as Machine No. 236W100 with the following exceptions:



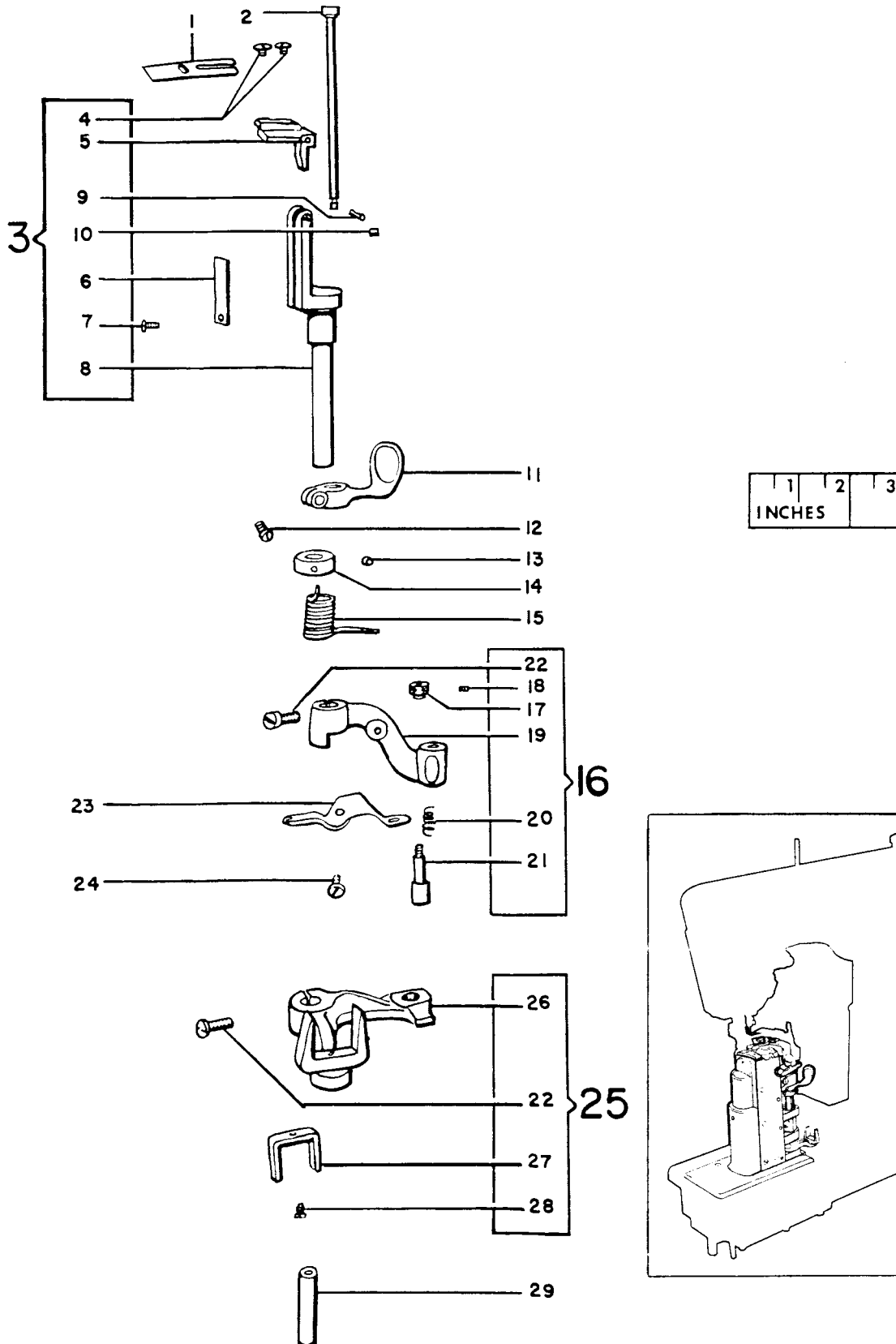
PARTS FOR MACHINE No. 236wIII

Same as Machine No. 236W100 with the following exceptions:

<u>Ref. No.</u>	<u>Part No.</u>	<u>Description</u>
1	238508	Knife
2	263688	Knife Switch-out Plunger
3	263667	Knife Bracket Arm complete, Nos. 263665, 263666, 263669, 263670, 350238D, 350355C and two 200169X
4	200169X	Knife Screw
5	263665	Knife Bracket
6	263670	Knife Bracket Spring
7	350238D	Knife Bracket Spring Screw
8	263666	Knife Bracket Arm
9	263669	Knife Bracket Hinge Pin
10	350355C	Knife Bracket Adjusting Screw
11	263686	Knife Switch-in Lever with 200061ALX
12	200061ALX	Knife Switch-in Lever Pinch Screw
13	200380C	Knife Bracket Arm Spring Adjusting Collar Set Screw
14	214833	Knife Bracket Arm Spring Adjusting Collar with 200380C
15	263668	Knife Bracket Arm Spring
16	263676	Knife Driving Lever (upper) complete, Nos. 201725D, 241721, 263674 and 263675
17	201725D	Locking Plunger Spring Thumb Nut with 200389C
18	200389C	Locking Plunger Spring Thumb Nut Set Screw
19	263674	Knife Driving Lever (upper) with 200048C
20	241721	Knife Driving Lever (upper) Locking Plunger Spring
21	263675	Knife Driving Lever (upper) Locking Plunger
22	200048C	Knife Driving Lever Pinch Screw
23	263687	Knife Switch-out Lever
24	200284D	Knife Switch-out Lever Hinge Screw
25	263673	Knife Driving Lever (lower) complete, Nos. 104D, 24173 and 263672
26	263672	Knife Driving Lever (lower) with 200048C and *249288
27	24173	Knife Driving Lever Fork Swivel
28	104D	Knife Driving Lever Fork Swivel Screw
29	241738	Knife Driving Lever (lower) Shaft
	*249288	Knife Driving Lever Fork

PARTS FOR MACHINE No. 236wIII

Same as Machine No. 236W100 with the following exceptions:



PARTS FOR MACHINE No. 236wIII

Same as Machine No. 236W100 with the following exceptions:

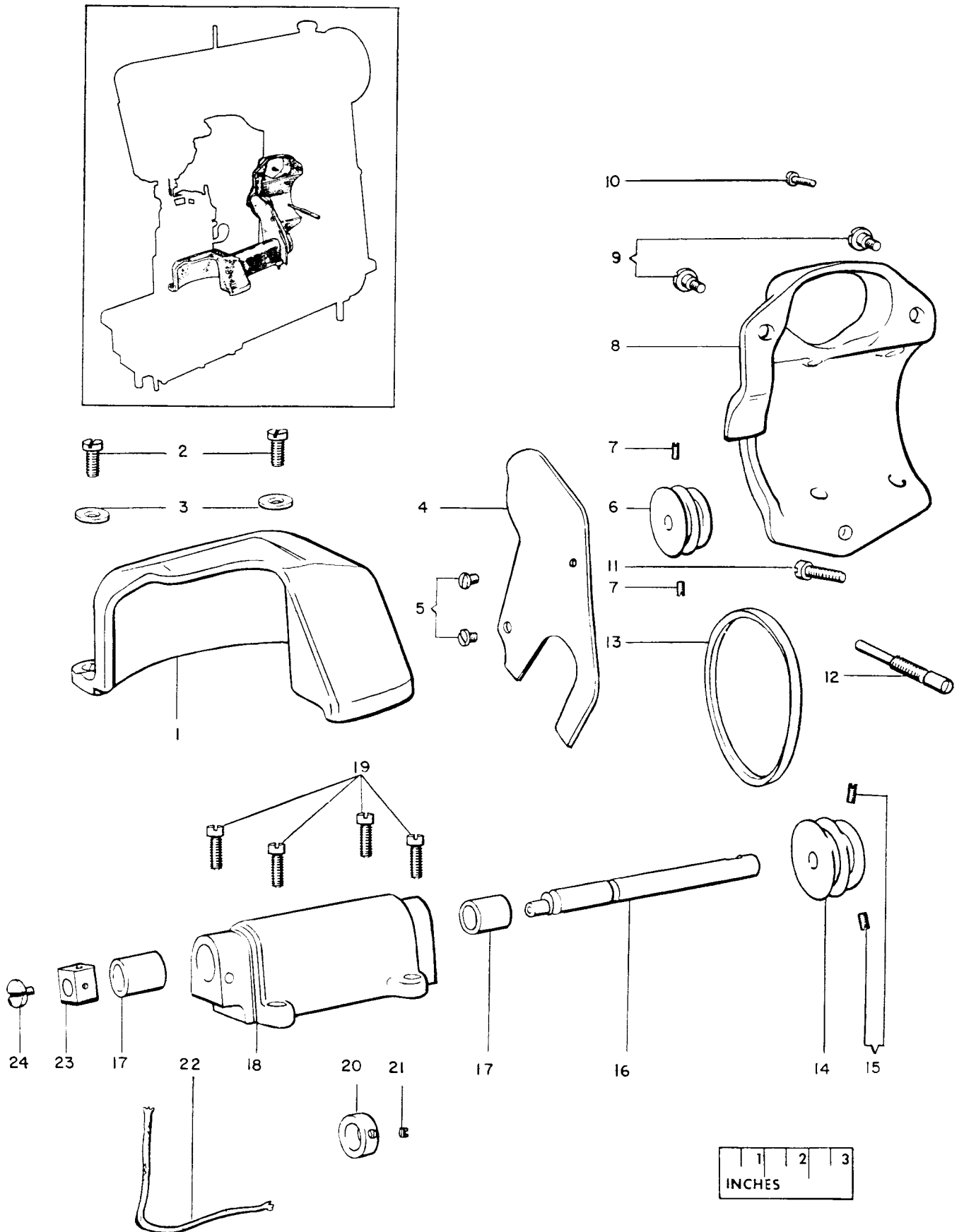
<u>Ref. No.</u>	<u>Part No.</u>	<u>Description</u>
1	263677	Knife Driving Lever Guard
2	201256E	Knife Driving Lever Guard Screw (2)
3	203411	Knife Driving Lever Guard Screw Washer (2)
4	263652	Arm Base Cover
5	200160E	Arm Base Cover Screw (2)
6	263635	Motor Pulley (double grooved) for "V" belt, 1-13/32 and 1-33/64 in. diam. belt grooves, with two 200351C
7	200351C	Motor Pulley Set Screw
8	263689	Motor Clamping Bracket
9	201083C	Motor Clamping Bracket Screw (short) (2)
10	145X	Motor Terminal Block Screw (Furnished with Motor)
11	200006C	Motor Clamping Bracket Screw (long)
12	350617C	Motor Adjusting Screw
13	263671	Knife Driving Belt
14	249295	Knife Driving Shaft Pulley (double grooved) for "V" belt, 1-23/32 and 1-13/16 in. diam. belt grooves, with two 200958C
15	200958C	Knife Driving Shaft Pulley Set Screw
16	263678	Knife Driving Shaft (eccentric)
17	263679	Knife Driving Shaft Bearing
18	263680	Knife Driving Shaft Housing with two 263679
19	129E	Knife Driving Shaft Housing Screw (4)
20	249292	Knife Driving Shaft Collar with 200386C
21	200386C	Knife Driving Shaft Collar Set Screw
22	249298	Knife Driving Lever Fork Slide Block Oiling Wick
23	249289	Knife Driving Lever Fork Slide Block
24	200102C	Knife Driving Lever Fork Slide Block Cap Screw
TK-161		Motor (see page 51 for Illustration of Motor)
995536		Motor Control Box with two wood screws 1/2 in., No. 12 R.H.B. (See page 51 For Illustration of Motor Control Box)

Note: For Illustration of the following six Parts listed, see Page 41

263600	Oil Reservoir Oil Gauge (Same as 236w100)
200578X	Base Cover Support Screw (2)
263804	Base Cover Support (back)
350316X	Base Cover Screw (2) (In place of (2) 200181X)
263803	Base Cover Support (front)
263801	Feed Post Base Cover

PARTS FOR MACHINE No. 236wIII

Same as Machine No. 236W100 with the following exceptions:



PARTS FOR MACHINE No. 236w112

SINGLE NEEDLE. LOCK STITCH. HIGH SPEED.

POST MACHINE WITH BELT DRIVEN BED SHAFT.

MOTOR DRIVEN SUSPENDED HORIZONTAL TRIMMER

FOR SIMULTANEOUSLY STITCHING THE EDGES

AND UNDERTRIMMING THE LININGS OF

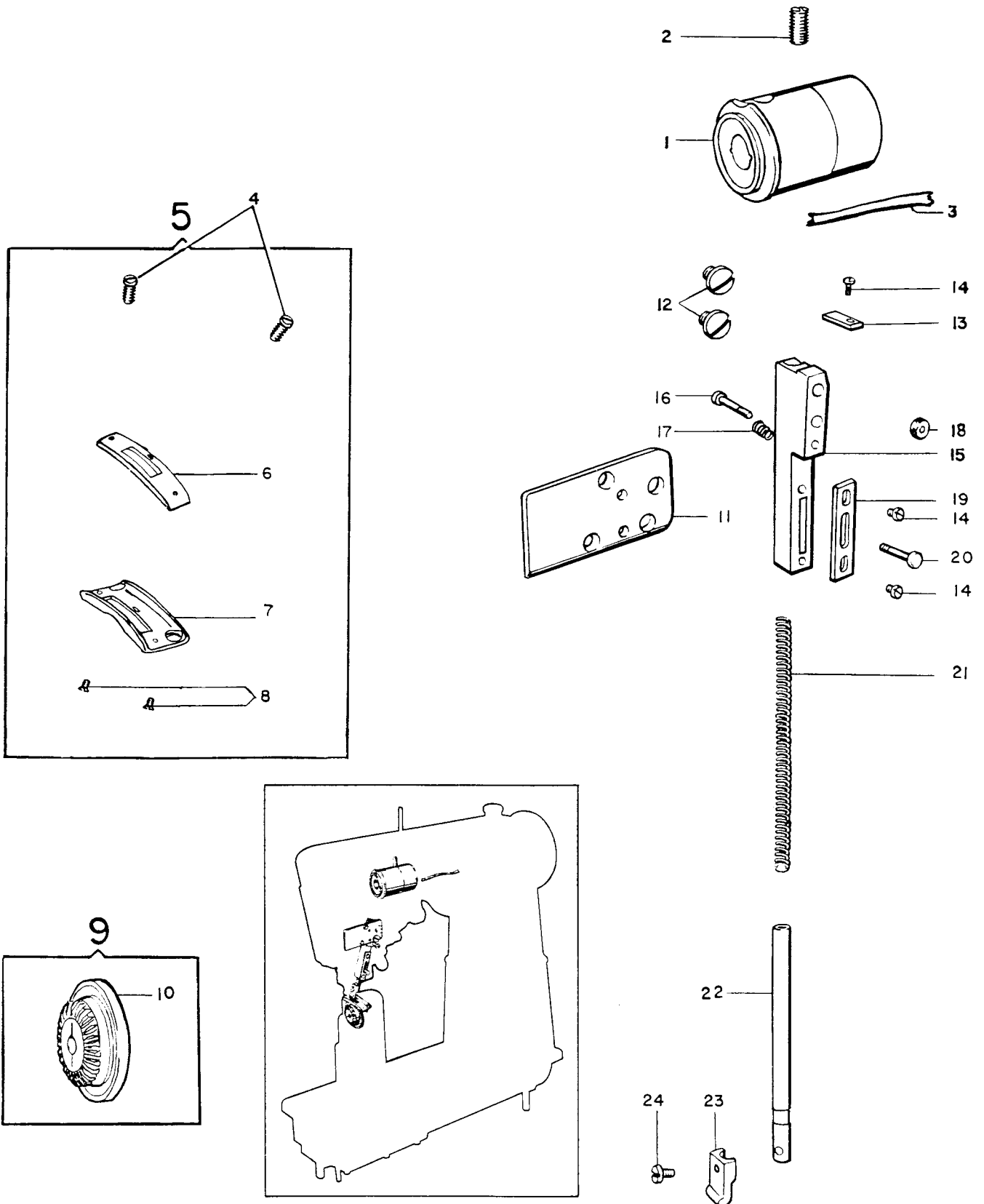
SHOES, SANDALS, SLIPPERS, ETC.

Same as Machine 236W100 with the following exceptions:

<u>Ref. No.</u>	<u>Part No.</u>	<u>Description</u>
1	263640	Arm Shaft Bushing (front) with 202244, used in place of 263408
2	200338C	Arm Shaft Bushing (front) Set Screw
3	276046	Knife Driving Shaft Oil Wick (in Arm)
4	200099X	Throat Plate Screw (2) used in place of 350620ALX
5	263717	Throat Plate complete, 56 elongated needle hole, for needle sizes 12 and 13, Nos. 249187, 263716 and two 200587D, used in place of 249105
6	263716	Throat Plate Needle Plate, 56 elongated needle hole, for needle sizes 12 and 13 (minimum trimming margin .060 inch)
7	249187	Throat Plate Body
8	200587D	Throat Plate Needle Plate Screw
9	263662	Feed Wheel 263660 with 263450 to 263452, three 200587D and sixty 206417
10	263660	Feed Wheel
11	263752	Thread Lubricator and Edge Guide Bracket Mounting Plate, used in place of 263555
12	200093X	Edge Guide Bracket Screw (2)
13	263734	Edge Guide Rod Spring Plate
14	200166X	Plate Screw (3)
15	263728	Edge Guide Bracket
16	263731	Edge Guide Rod Plunger
17	263732	Edge Guide Rod Plunger Spring
18	201735E	Edge Guide Rod Plunger Nut
19	263729	Edge Guide Position Plate
20	200739F	Edge Guide Rod Lifting Screw
21	263733	Edge Guide Rod Spring
22	263730	Edge Guide Rod
23	263727	Edge Guide
24	200132X	Edge Guide Screw
	263659	Feed Post 263438 with 249019, 249092, 263442, 263453, 263455, 263460, 263461, 263662, 350411C and four 200137X, used in place of 263439
	*263601	Arm, used in place of *263401

PARTS FOR MACHINE No. 236w112

Same as Machine 236W100 with the following exceptions:



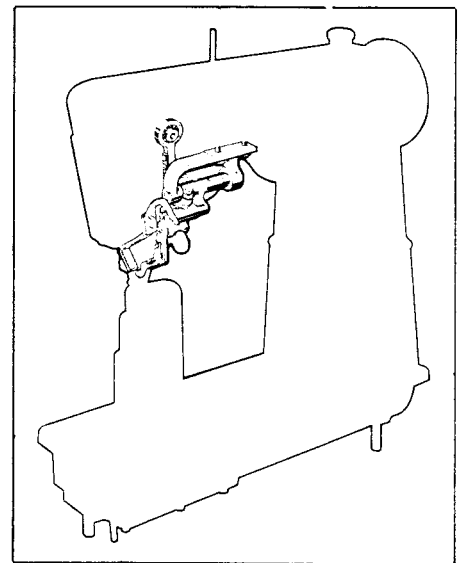
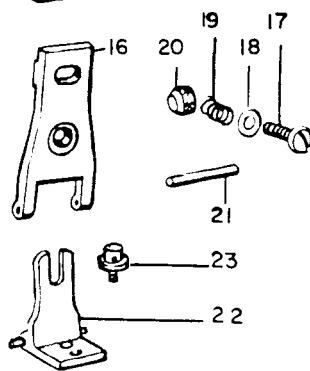
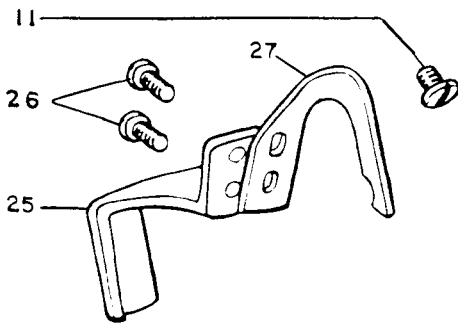
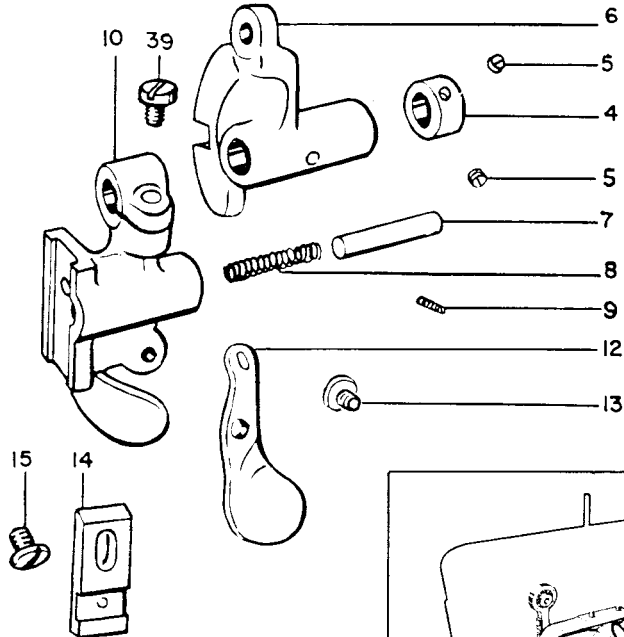
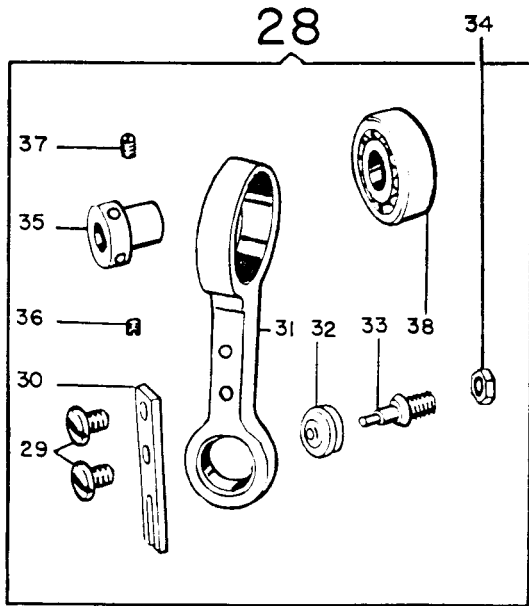
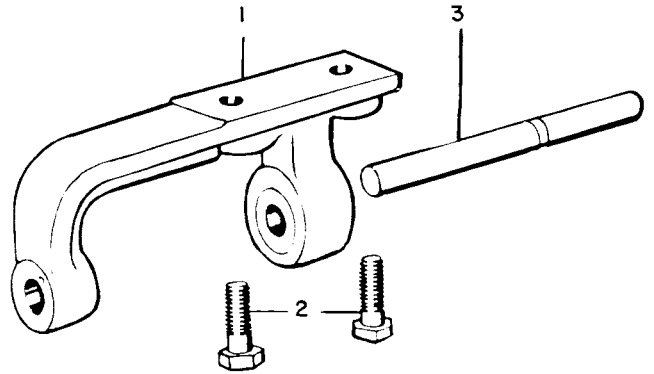
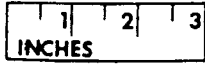
PARTS FOR MACHINE No. 236w112

Same as Machine No. 236W100 with the following exceptions:

<u>Ref. No.</u>	<u>Part No.</u>	<u>Description</u>
1	263741	Knife Driving Bell Crank Bracket
2	350614C	Knife Driving Bell Crank Bracket Screw (2)
3	263742	Knife Driving Bell Crank Shaft
4	268072	Knife Driving Bell Crank Shaft Collar with two 200386C
5	200386C	Knife Driving Bell Crank Shaft Collar Set Screw
6	263740	Knife Driving Bell Crank
7	263737	Knife Driving Arm Locking Plunger
8	263738	Knife Driving Arm Locking Plunger Spring
9	350624C	Knife Driving Arm Locking Plunger Position Screw
10	263736	Knife Driving Arm with 200053C
11	200065C	Screw
12	249171	Knife Driving Arm Unlocking Lever
13	200934D	Knife Driving Arm Unlocking Lever Hinge Screw
14	249162	Knife Adjusting Plate
15	201256D	Knife Adjusting Plate Screw
16	249164	Knife Bracket Arm
17	201042E	Knife Bracket Adjusting Screw
18	202101	Knife Bracket Adjusting Screw Washer
19	249166	Knife Bracket Spring
20	201574D	Knife Bracket Adjusting Screw Nut
21	249165	Knife Bracket Hinge Pin
22	249163	Knife Bracket
23	350625F	Knife Screw
24	263735	Knife
25	263750	Knife Guard
26	200054E	Knife Driving Arm Retainer and Knife Guard Screw (2)
27	263739	Knife Driving Arm Retainer
28	263745	Knife Driving Connection complete, Nos. 263744, 263746 to 263749, 350633C and two 200160X
29	200160X	Knife Driving Connection Guide Plate Screw
30	263748	Knife Driving Connection Guide Plate
31	263744	Knife Driving Connection
32	263746	Knife Driving Connection Bearing (lower) (small)
33	350633C	Knife Driving Connection Hinge Screw
34	51699X	Knife Driving Connection Hinge Screw Nut
35	263749	Knife Driving Eccentric with 200365C and 201052ALX
36	201052ALX	Knife Driving Eccentric Set Screw
37	200365C	Knife Driving Eccentric Position Screw
38	263747	Knife Driving Connection Bearing (upper) (large)
39	200053C	Knife Driving Arm Pinch Screw

PARTS FOR MACHINE No. 236w112

Same as Machine No. 236W100 with the following exceptions:



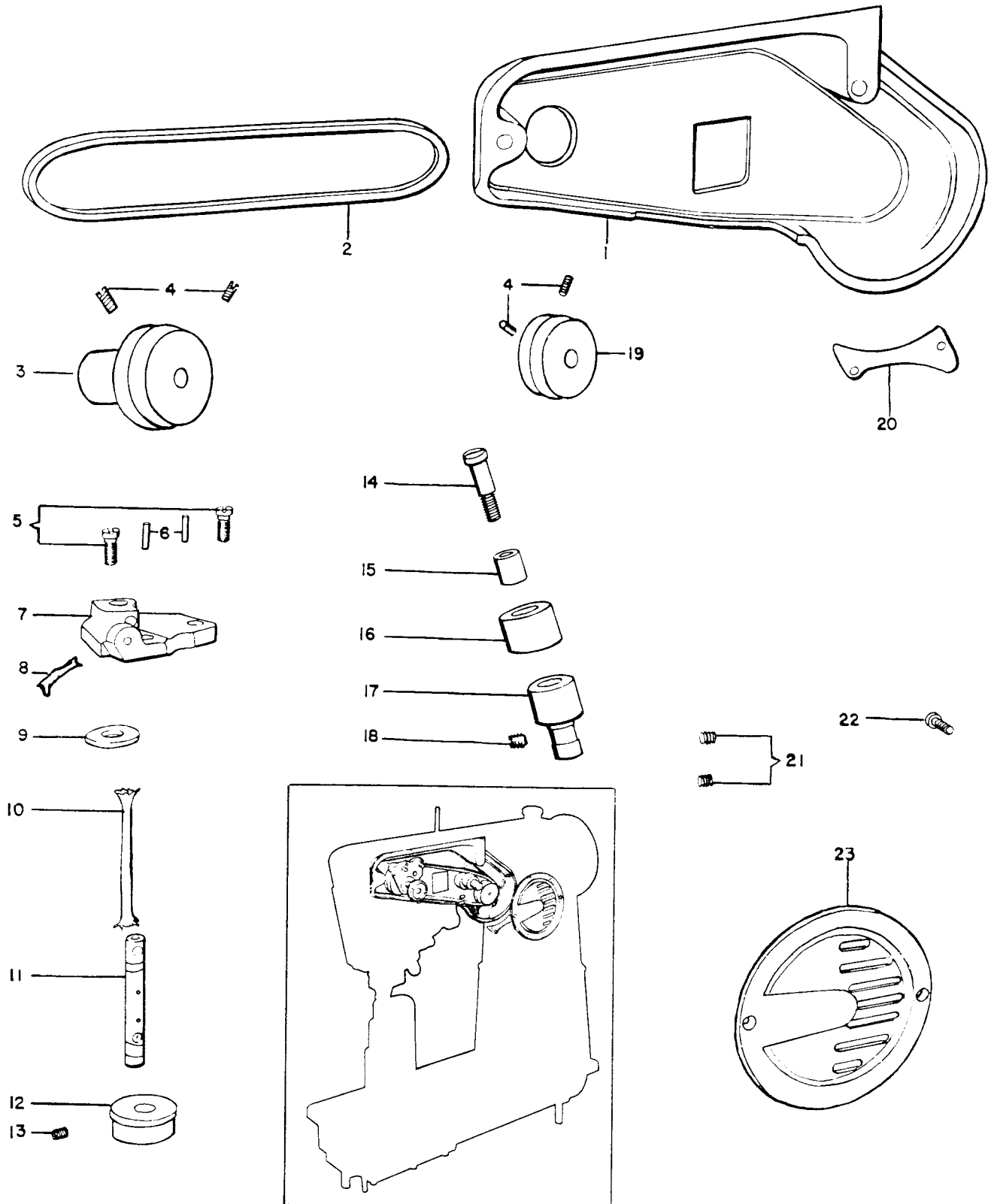
PARTS FOR MACHINE No. 236w112

Same as Machine No. 236W100 with the following exceptions:

<u>Ref. No.</u>	<u>Part No.</u>	<u>Description</u>
1	263639	Motor and Belt Guard, used in place of 263634
2	263620	Knife Driving Belt
3	263645	Knife Driving Shaft Belt Pulley with two 200351C
4	200351C	Belt Pulley Set Screw
4	200351C	Motor Pulley Set Screw
5	200050C	Knife Driving Shaft Bracket Screw (2)
6	232154	Knife Driving Shaft Bracket Position Pin (2)
7	263751	Knife Driving Shaft Bracket with 203101
8	203101	Knife Driving Shaft Bracket Oil Packing (wick)
9	263626	Knife Driving Eccentric Thrust Washer
10	224390	Knife Driving Shaft Oil Packing (wick) (in shaft)
11	263628	Knife Driving Shaft with 224390
12	263631	Knife Driving Shaft Bushing
13	200364C	Knife Driving Shaft Bushing Set Screw
14	200948C	Knife Driving Belt Idler Pulley Hinge Screw
15	263513	Knife Driving Belt Idler Pulley Needle Bearing
16	263510	Knife Driving Belt Idler Pulley *263509 with 263513
17	263621	Knife Driving Belt Idler Pulley Adjusting Stud
18	200358C	Knife Driving Belt Idler Pulley Adjusting Stud Set Screw
19	263635	Motor Pulley (double grooved) for "V" belt, 1-13/32 and 1-33/64 in. diam. belt grooves, with two 200351C
20	263636	Motor Terminal Block Lead Wire Cover Plate, used in place of 263404
21	200362C	Motor Set Screw (2)
22	145X	Motor Terminal Block Screw (Furnished with Motor)
23	263602	Arm Cover (front) (Motor Vent) used in place of 263403
	TK-161	Motor (see page 51 For Illustration of Motor)
	995536	Motor Control Box with two wood screws 1/2 in., No. 12 R.H.B. (see page 51 For Illustration of Motor Control Box)
	*263509	Knife Driving Belt Idler Pulley

PARTS FOR MACHINE No. 236w112

Same as Machine No. 236W100 with the following exceptions:



ACCESSORIES

FOR MACHINE No. 236w100

<u>Ref. No.</u>	<u>Part No.</u>	<u>Description</u>
1	228884	Drip Pan (Plastic) complete, Nos. 228882, 228883 and four wood screws 1/2 in. No. 4. R. H. B.
2	228882	Drip Pan
3	228883	Drip Pan Drain Jar
4	120342	Oiler (copper plated) with 120343
5	120343	Oiler Spout (3-1/2 in. long)
6	225498	Screw Driver
7	228476	Screw Driver (Bobbin Case)
8	41401	Machine Rest Pin (wood)
9	233939	Bobbin (2)
10	4822	Roller Presser Hinge Screw Nut Wrench
11	225554	Wrench
12	202258	Bed Hinge Connection (2)
13	200570E	Bed Hinge Connection Screw (4)
14	263577	Pulley Spreader Cone Adjusting Key
15	144465	Wrench (1/8" Hex)
	128 x	Needles, three each, sizes 14 and 15
	Form 3157w	Operator's Instruction Book

FOR MACHINE No. 236w104

SAME AS FOR MACHINE No. 236w100

WITH THE FOLLOWING EXCEPTIONS:

16	263735	Knife
	128 x	Needles, three each, sizes 12 and 13

FOR MACHINE No. 236w105

SAME AS FOR MACHINE No. 236w100

WITH THE FOLLOWING EXCEPTIONS:

17	238508	Knife
	128 x	Needles (three each) sizes 12 and 13

FOR MACHINE No. 236w110

SAME AS FOR MACHINE No. 236w100

WITH THE FOLLOWING EXCEPTIONS:

18	248929	Knives (3)
----	--------	------------

FOR MACHINE No. 236w111

SAME AS FOR MACHINE No. 236w100

WITH THE FOLLOWING EXCEPTIONS:

17	238508	Knife
	128 x	Needles (three each) sizes 12 and 13

FOR MACHINE No. 236w112

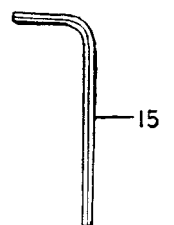
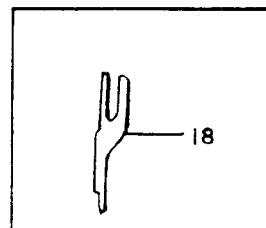
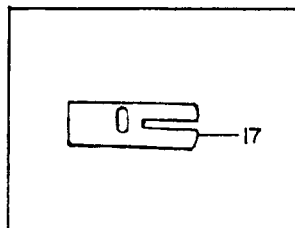
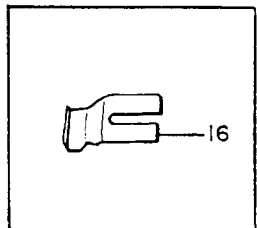
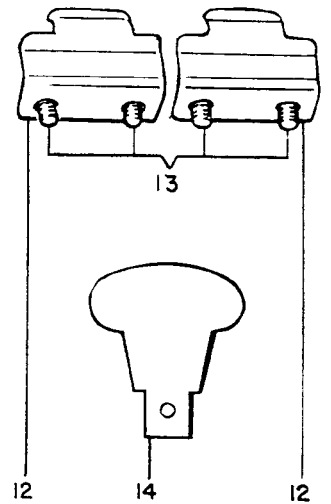
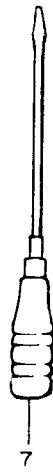
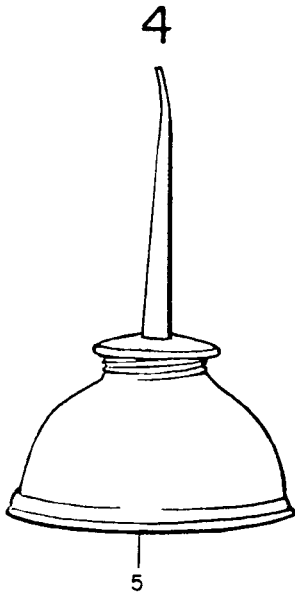
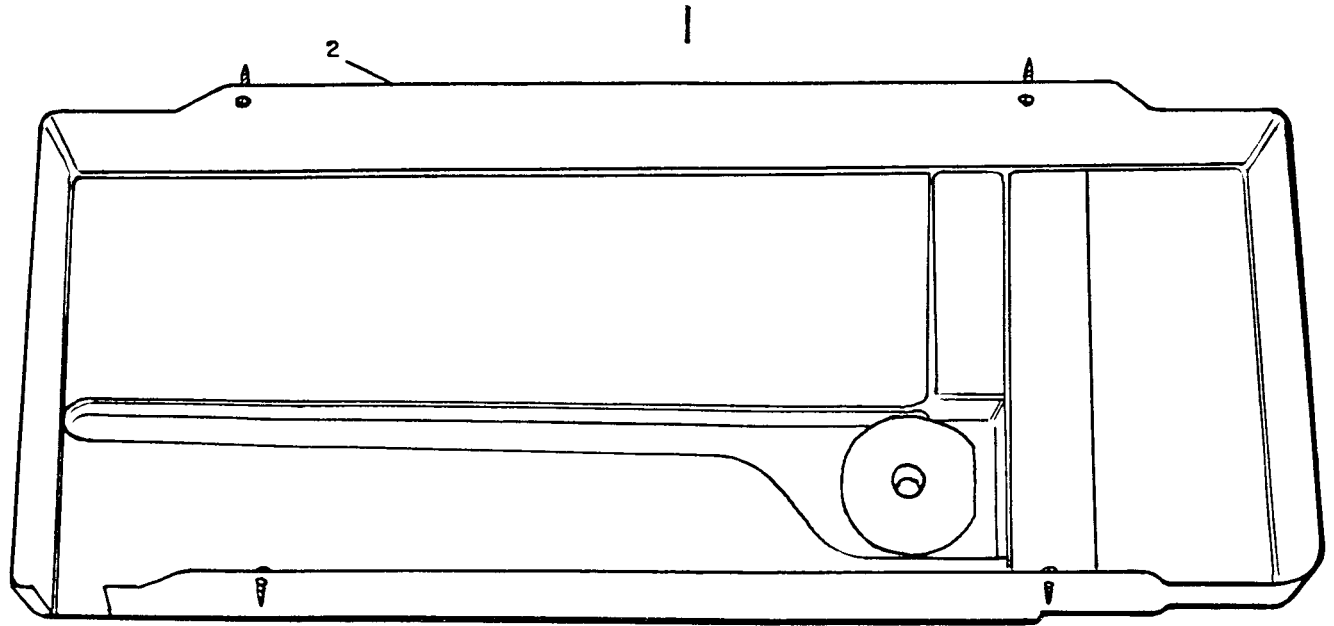
SAME AS FOR MACHINE No. 236w100

WITH THE FOLLOWING EXCEPTIONS:

16	263735	Knife
	128 x	Needles (three each) sizes 12 and 13

ACCESSORIES

PARTS FOR MACHINE No. 236w100



ACCESSORIES BOBBIN WINDER

(SWINGING AUTOMATIC, RIGHT HAND)

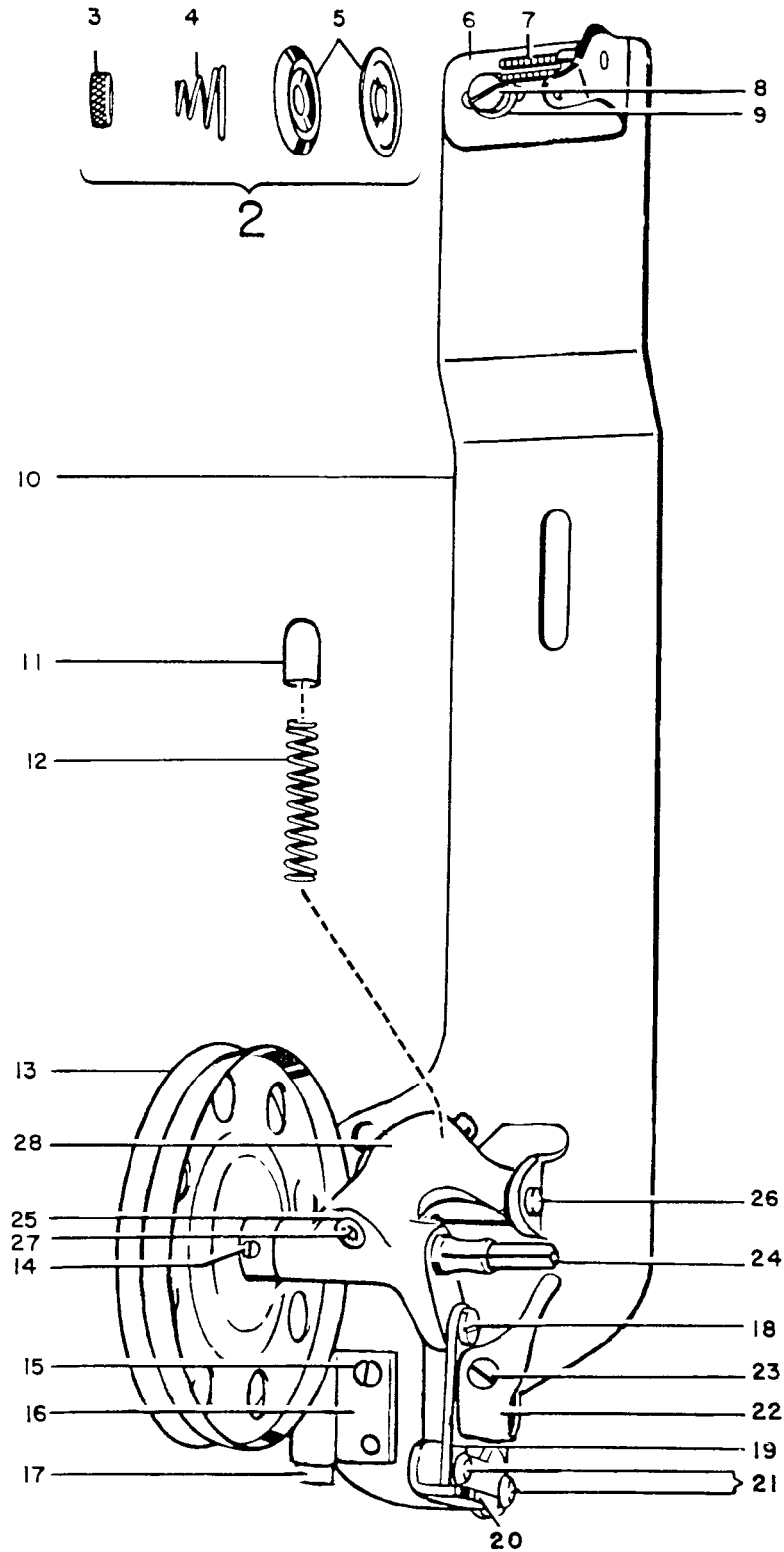
FOR "V" BELT DRIVE

<u>Ref.</u> <u>No.</u>	<u>Part</u> <u>No.</u>	<u>Description</u>
1	259462	Universal Bobbin Winder complete, Nos. 200056E, 200082D, 200113F, 200299X, 202478, 225381, 225444, 225453 to 225456, 225458, 225462, 228026, 259428, 259429, 259461, 259662, two each 225459 and wood screws 3/4 in., No. 12, R.H.B.
2	225462	Bobbin Winder Tension Bracket complete, Nos. 13710, 201572X, 225461 and two 2102
3	201572X	Tension Stud Thumb Nut
4	13710	Tension Spring
5	2102	Tension Disc
6	225461	Tension Bracket with 201499X
7	201499X	Tension Stud
8	200082D	Tension Bracket Screw
9	228026	Washer
10	259662	Bobbin Winder and Tension Bracket Base
11	225456	Frame Spring Plunger
12	225455	Frame Spring
13	259461	Pulley with 200380C
14	200380C	Set Screw
15	200113F	Brake Clamp Screw
16	259429	Brake Clamp
17	259428	Brake (leather)
18	200299X	Trip Lever Hinge Screw
19	202478	Stop Latch Trip Lever
20	225458	Stop Latch Thumb Lever
21	225459	Stud
22	225444	Stop Latch
23	200056E	Screw
24	225381	Spindle
25	259660	Oil Well Washer
26	225454	Frame Hinge Pin
27	244071	Oil Packing (wick)
28	225453	Frame with 244071 and 259660

ACCESSORIES BOBBIN WINDER

(SWINGING AUTOMATIC, RIGHT HAND)

FOR "V" BELT DRIVE



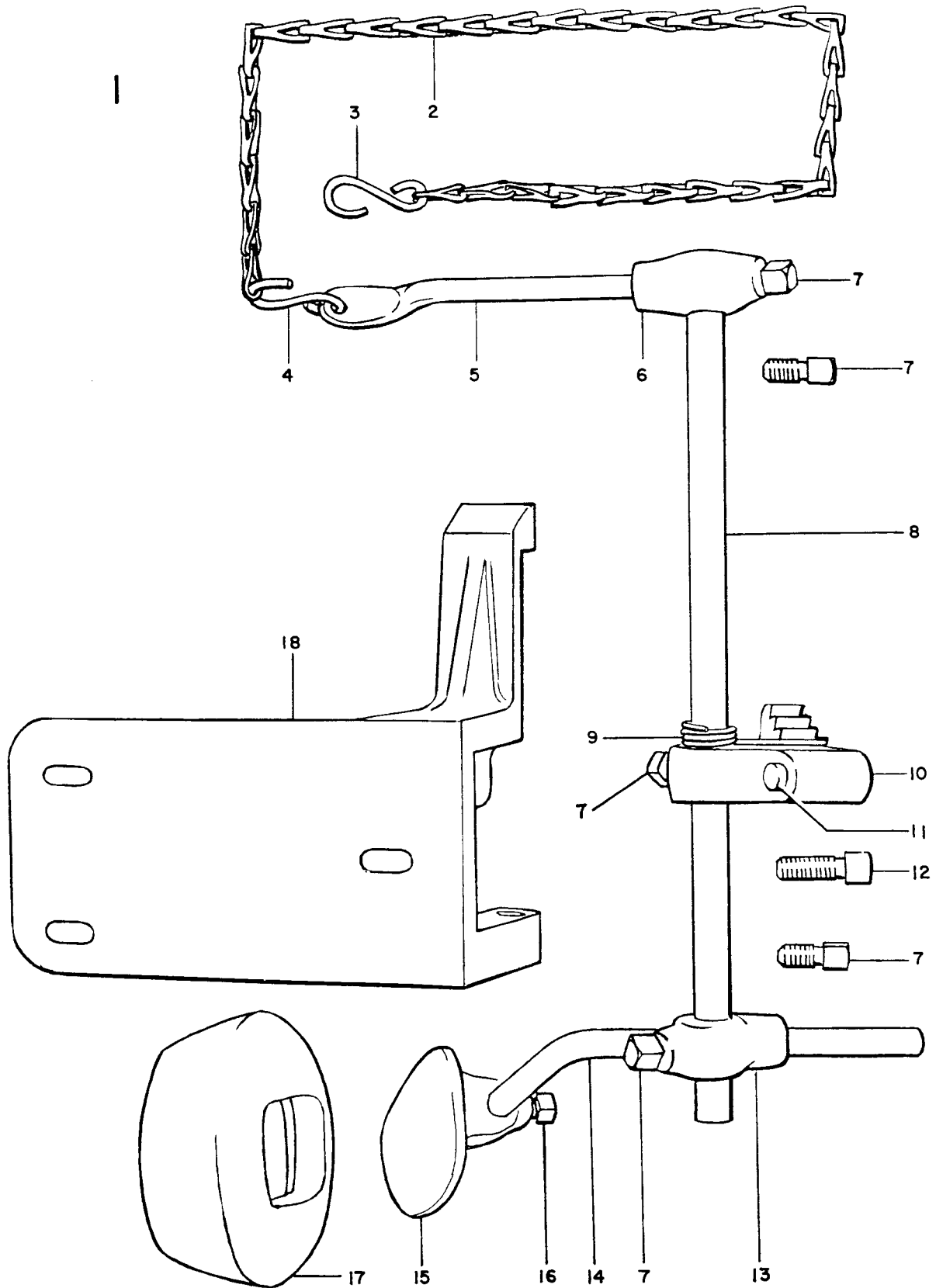
ACCESSORIES

KNEE LIFTER

<u>Ref. No.</u>	<u>Part No.</u>	<u>Description</u>
1	228846	Knee Lifter Rock Shaft complete, Nos. 2763, 6337, 39811, 150668, 227676, 228364, 228388, 228685 and 228843 to 228845
2	227676	Rock Shaft Lifting Chain, 18 in. long, with 202784
3	202784	Rock Shaft Lifting Chain Hook (upper)
4	39576	Rock Shaft Lifting Chain Hook (lower)
5	39811	Rock Shaft Lifting Bracket Extension with 39576
6	6337	Rock Shaft Lifting Bracket with two 356C
7	356C	Set Screw
8	2763	Rock Shaft
9	228845	Rock Shaft Stop Bracket Spring
10	228844	Rock Shaft Stop Bracket with 350C, 356C and 228367
11	228367	Rock Shaft Stop Stud
12	350C	Rock Shaft Stop Stud Set Screw
13	228685	Rock Shaft Knee Plate Arm Bracket with two 356C
14	228388	Rock Shaft Knee Plate Arm
15	228364	Rock Shaft Knee Plate with 350231C
16	350231C	Rock Shaft Knee Plate Set Screw
17	150668	Rock Shaft Knee Plate Pad (rubber)
18	228843	Rock Shaft Bracket with three wood screws 1 in., No. 10 F. H. B.

ACCESSORIES

KNEE LIFTER



ACCESSORIES

THREAD UNWINDER

(FOR TWO SPOOLS)

<u>Ref. No.</u>	<u>Part No.</u>	<u>Description</u>
1	228776	Thread Unwinder (for two spools) complete, Nos. 228766 to 228768, 228770, 228774, two each 150203, 228764, 228769 and three wood screws 7/8 in., No. 12, R.H.B.
2	228769	Thread Guide
3	228770	Thread Guide Holder (for one or two guides)
4	228774	Thread Guide Rod
5	228767	Spool Rest Rod
6	228764	Spool Pin
7	150203	Spool Rest Cushion (felt)
8	228766	Spool Rest (for two spools) (flat) with 201254C
9	201254C	Spool Rest Set Screw
10	228768	Spool Stand

MISCELLANEOUS PARTS

USED IN CONJUNCTION WITH THREAD UNWINDER

11	225390	Thread Cone Holder
12	27739	Thread Cone (wood)
13	60913	Spool Weight with 60914
14	60914	Spool Weight Center Pin

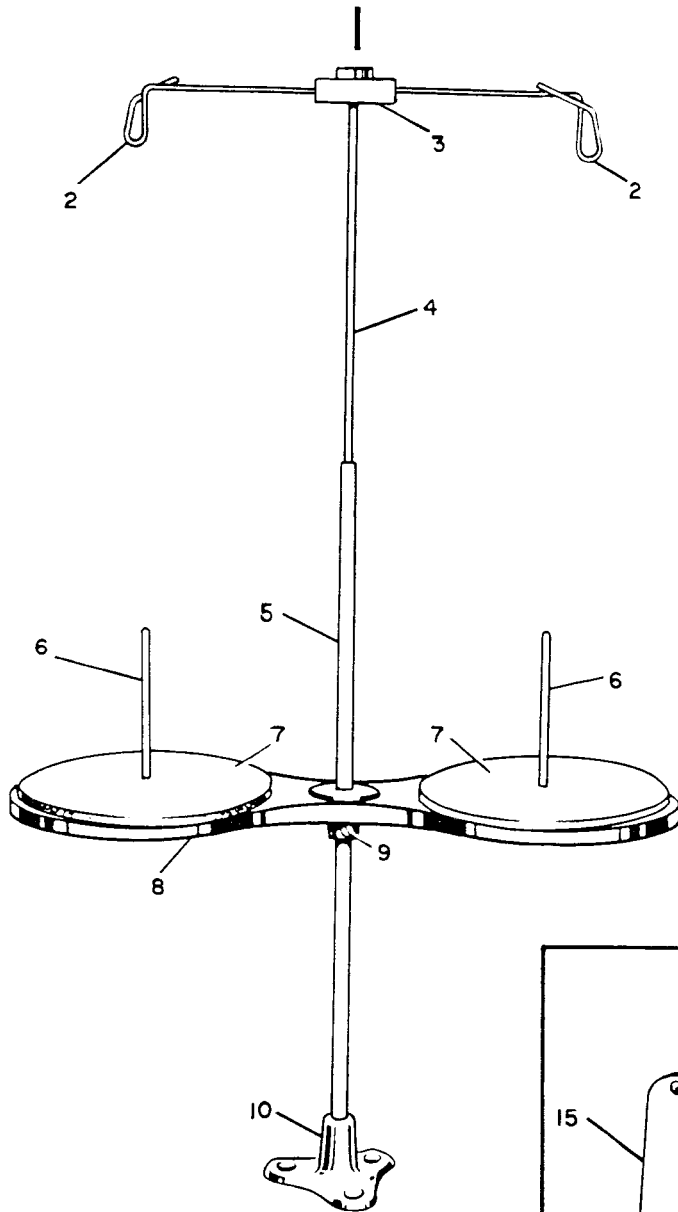
WOOD BASE

(OBLIQUE)

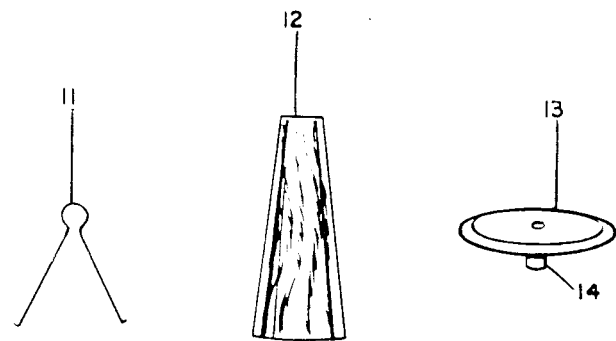
15	228356	Base (wood) with two 227493, four 225589 and eight wood screws 1-1/2 in., No. 7
16	227493	Bed Hinge Plate 202259 with two wood screws 7/8 in., No. 12 F.H.B.
17	225589	Machine Cushion (leather)
	202259	Bed Hinge Plate

ACCESSORIES

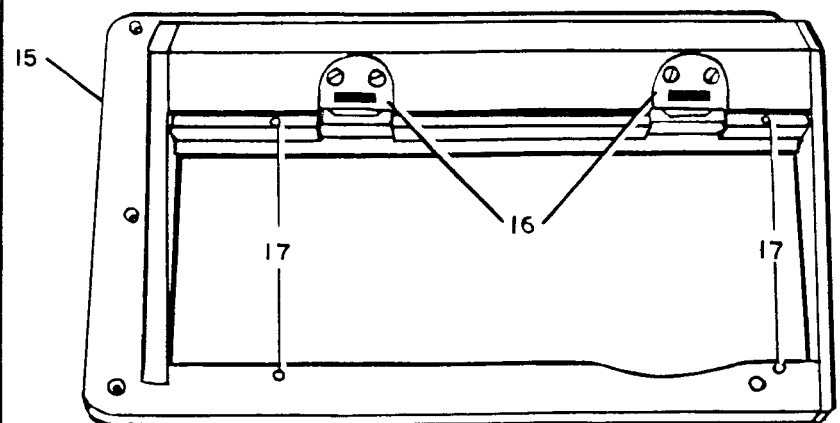
THREAD UNWINDER
(FOR TWO SPOOLS)



MISCELLANEOUS PARTS
USED IN CONJUNCTION WITH
THREAD UNWINDER



WOOD BASE
(OBLIQUE)



FITTINGS

FEED WHEELS

<u>Ref. No.</u>	<u>Part No.</u>	<u>Description</u>
1	263451	Feed Wheel Ball Cone (outside)
2	206417	Feed Wheel Ball, 1/16 in. diamteer
3	263452	Feed Wheel Bevel Gear
4	263450	Feed Wheel Ball Cone (inside)
5	200587D	Feed Wheel Bevel Gear Screw

FOR MACHINE No. 236w100

6	263449	Feed Wheel 263575 with 263450 to 263452, three 200587D and sixty 206417, for 249105
7	263575	Feed Wheel (flat) (close feed) for 249105
8	263581	Feed Wheel (flat) (close feed) (serrated) for 249113, 249114, 259842, *263583 and 263585
9	263576	Feed Wheel (flat) (close feed) (serrated) for 249105
10	263607	Feed Wheel 263605 with 263450 to 263452, three 200587D and sixty 206417, for 249113, 249114, *263583 and 263585
11	263605	Feed Wheel, for 249113, 249114, *263583 and 263585
12	263447	Feed Wheel, for 249059
13	263662	Feed Wheel 263660 with 263450 to 263452, three 200587D and sixty 206417, for 249059
14	263660	Feed Wheel, for 249059

FOR MACHINES Nos. 236w104, 236w105, 236w111 AND 236w112

12	263447	Feed Wheel, for 249181, 249183 and 249189
13	263662	Feed Wheel 263660 with 263450 to 263452, three 200587D and sixty 206417, for 249181, 249183, 249189 and 263717
14	263660	Feed Wheel, for 249181, 249183, 249189 and 263717

FOR MACHINE No. 236w110

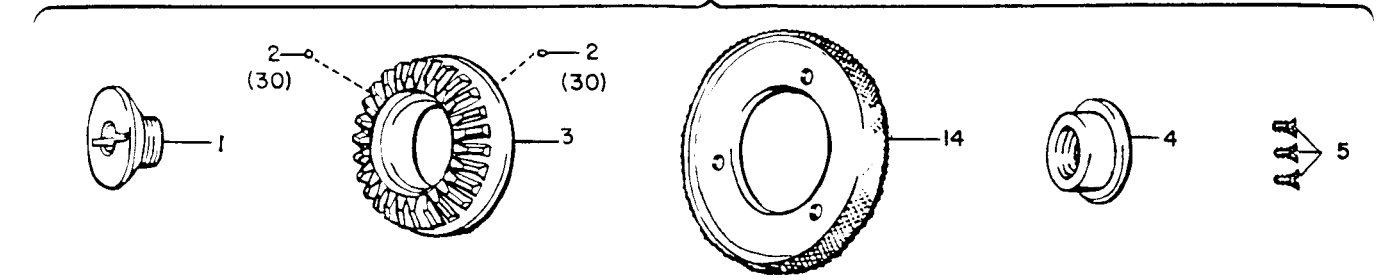
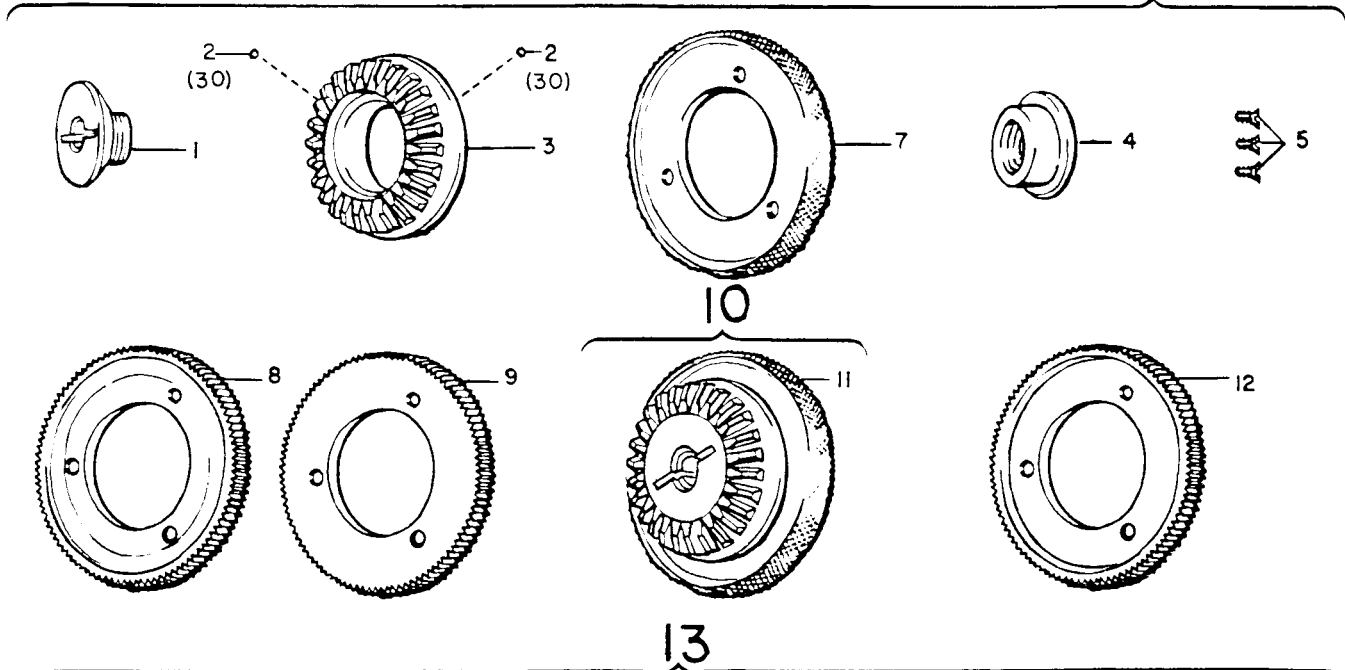
10	263607	Feed Wheel 263605 with 263450 to 263452, three 200587D and sixty 206417, for 248912
10	263642	Feed Wheel 263641 with 263450 to 263452, three 200587D and sixty 206417, for 248914, 248926 and 263644
11	263605	Feed Wheel, for 248912
11	263641	Feed Wheel, for 248914, 248926 and 263644

FITTINGS

FEED WHEELS

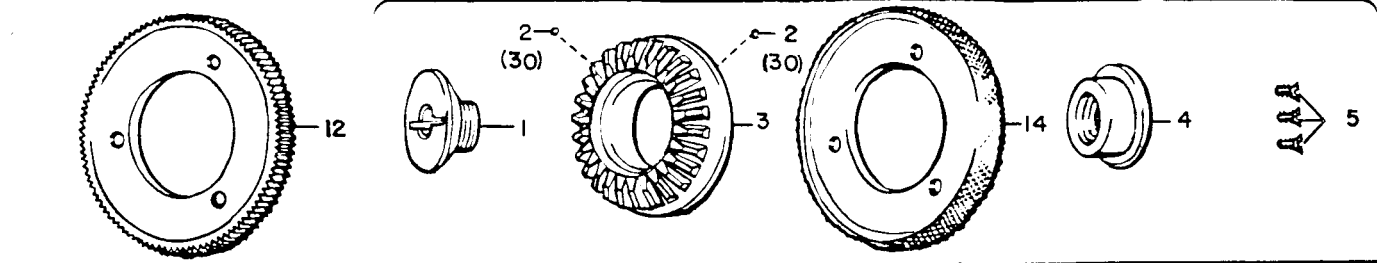
FOR MACHINE No. 236w110

6



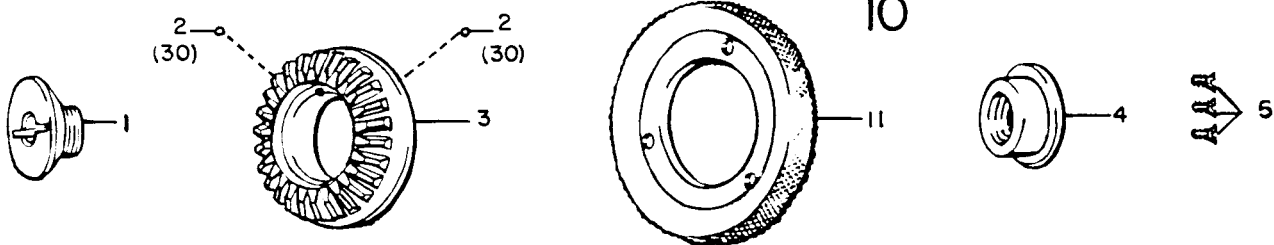
FOR MACHINES
Nos. 236w104, 236w105, 236w111 AND 236w112

13



FOR MACHINE No. 236w100

10



FITTINGS
THROAT PLATES

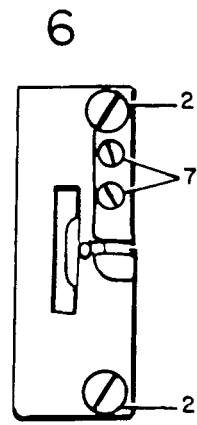
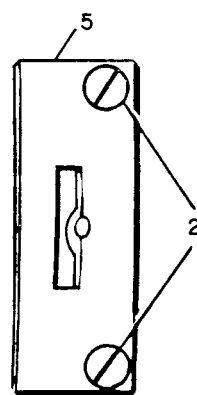
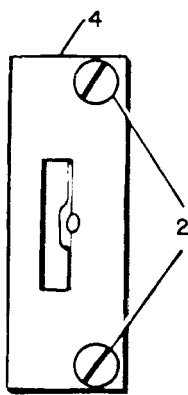
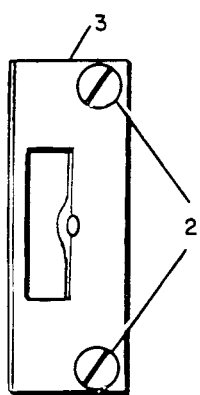
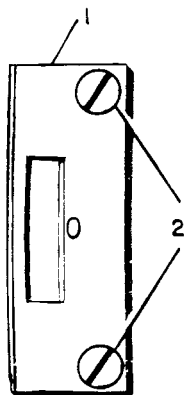
FOR MACHINE No. 236w100

Ref. No.	Part No.	<u>Description</u>
1	249059	Throat Plate, 53 elongated needle hole, for needle sizes 14 and 15, for 263447 and 263662
2	350620ALX	Throat Plate Screw (2)
3	249105	Throat Plate, 53 elongated needle hole, for needle sizes 14 and 15, for 263449, 263575 and 263576
4	249113	Throat Plate (beveled) 60 elongated needle hole, for needle sizes 9 to 11, for 263581, 263605 and 263607
5	249114	Throat Plate, (beveled) 56 elongated needle hole, for needle sizes 12 and 13, for 263581, 263605 and 263607
6	263585	Throat Plate complete (beveled) 56 elongated needle hole, for needle sizes 12 and 13, Nos. *263583, *263584 and two 350446X, for 263581, 263605 and 263607
7	350446X	Throat Plate Edge Guide Screw
8	259842	Throat Plate complete with Adjustable Edge Guide and Adjustable Tape Guide (Bessett)
	*263583	Throat Plate (beveled) 56 elongated needle hole, for needle sizes 12 and 13, for 263581, 263605 and 263607 (Bessett)
	*263584	Throat Plate Edge Guide (Bessett)

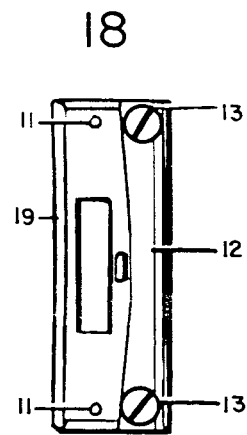
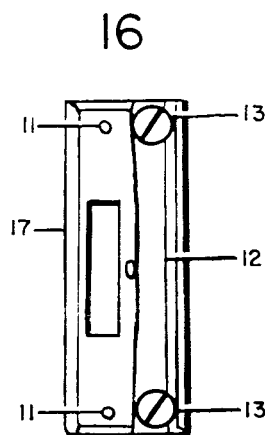
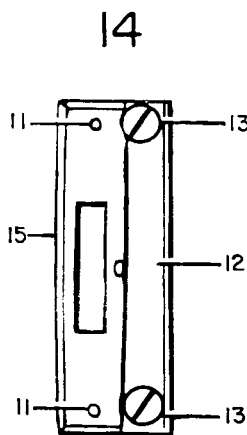
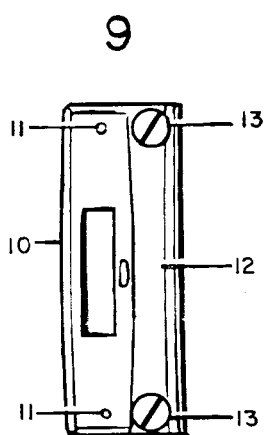
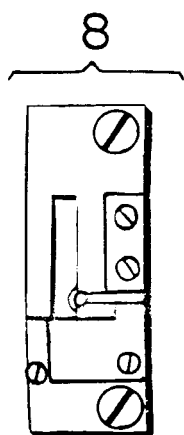
FOR MACHINES Nos. 236w104, 236w105, 236w111 AND 236w112

9	263717	Throat Plate complete, 56 elongated needle hole, for needle sizes 12 and 13, Nos. 249187, 263716 and two 200587D, for 263660 and 263662
10	263716	Throat Plate Needle Plate, 56 elongated needle hole, for needle sizes 12 and 13 (minimum trimming margin .060 inch)
11	200587D	Throat Plate Needle Plate Screw
12	249187	Throat Plate Body
13	200099X	Throat Plate Screw (2)
14	249181	Throat Plate complete, 56 elongated needle hole, for needle sizes 12 and 13, Nos. 249180, 249187 and two 200587D, for 263447, 263660 and 263662
15	249180	Throat Plate Needle Plate, 56 elongated needle hole, for needle sizes 12 and 13
16	249183	Throat Plate complete, 56 elongated needle hole, for needle sizes 12 and 13, Nos. 249182, 249187 and two 200587D, for 263447, 263660 and 263662
17	249182	Throat Plate Needle Plate, 56 elongated needle hole, for needle sizes 12 and 13 (minimum trimming margin .035 inch)
18	249189	Throat Plate complete, 56 elongated needle hole, for needle sizes 12 and 13, Nos. 249187, 249188 and two 200587D, for long stitch, for 263447, 263660 and 263662
19	249188	Throat Plate Needle Plate, 56 elongated needle hole, for needle sizes 12 and 13 (minimum trimming margin .045 inch)

FITTINGS
 THROAT PLATES
 FOR MACHINE No. 236w100



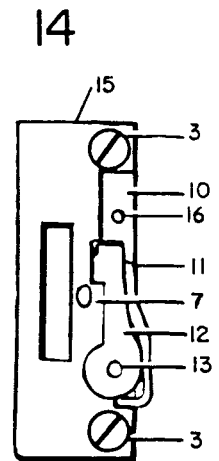
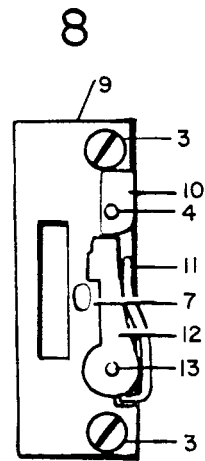
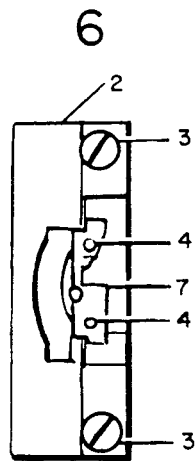
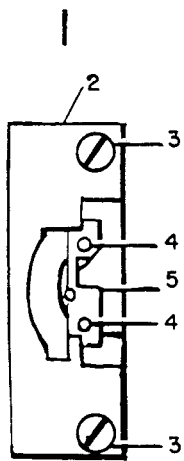
FOR MACHINES Nos. 236w104, 236w105, 236w111 AND 236w112



FITTINGS
 THROAT PLATES (CONT.)
 FOR MACHINE No. 236w110

Ref. No.	Part No.	<u>Description</u>
1	248912	Throat Plate complete, .055 diam. needle hole, trims back of needle and .025 in. to right of seam, Nos. 248910, 248911 and two 200587D, for 263605 and 263607
2	248910	Throat Plate Body
3	350620ALX	Throat Plate Screw
4	200587D	Throat Plate Knife Cutting Plate Screw
5	248911	Throat Plate Knife Cutting Plate, .055 diam. needle hole, trims back of the needle and .025 in. to right of seam
6	248914	Throat Plate complete, 50 needle hole, trims back of the needle and .035 in. to right of seam, Nos. 248910, 248913 and two 200587D, for 263641 and 263642
7	248913	Throat Plate Knife Cutting Plate, 50 needle hole, trims back of the needle and .035 in. to right of seam
8	248926	Throat Plate (beveled) complete, 50 elongated needle hole, trims back of the needle and .025 in. to right of seam, Nos. 200587D, 248916, 248925, 249229, 249231 and 350264E, for 263641 and 263642
9	248925	Throat Plate Body (beveled) 50 elongated needle hole
10	249231	Throat Plate Knife Follower Spring Block
11	248916	Throat Plate Knife Follower Spring
12	249229	Throat Plate Knife Follower, trims back of the needle and .015, .025 and .035 in. to right of seam
13	350264E	Throat Plate Knife Follower Hinge Screw
14	263644	Throat Plate (beveled) complete, 50 elongated needle hole, trims back of the needle and .035 in. to the right of seam, Nos. 200587D, 248916, 249229, 249231, 263643 and 350264E, for 263641 and 263642
15	263643	Throat Plate Body (beveled) 50 elongated needle hole
16	200587D	Throat Plate Knife Follower Spring Block Screw

FITTINGS
THROAT PLATES (CONT.)
FOR MACHINE No. 236w110



FITTINGS

ROLLER PRESSERS

<u>Ref. No.</u>	<u>Part No.</u>	<u>Description</u>
1	1528X	Roller Presser Hinge Screw Nut
2	201699C	Roller Presser Ball Cone
3	206417	Roller Presser Ball, 1/16 in. diameter
4	350104C	Roller Presser Hinge Screw

FOR MACHINE No. 236w100

5	351883	Roller Presser, 1 in. diam., 9/64 in. face (fine) with 1528X, 201699C, 350104C and twenty-eight 206417
6	351884	Roller Presser, 1 in. diam., 9/64 in. face (fine) (reverse angle) with 1528X, 201699C, 350104C and twenty-eight 206417
7	351885	Roller Presser, 7/8 in. diam., 9/64 in. face (medium) with 1528X, 201699C, 350104C and twenty-eight 206417
8	351887	Roller Presser, 1-1/4 in. diam., 9/64 in. face (fine) with 1528X, 201699C, 350104C and twenty-eight 206417

FOR MACHINES Nos. 236w104, 236w105, 236w111 AND 236w112

5	351883	Roller Presser, 1 in. diam., 9/64 in. face (fine) with 1528X, 201699C, 350104C and twenty-eight 206417
7	351885	Roller Presser, 7/8 in. diam., 9/64 in. face (medium) with 1528X, 201699C, 350104C and twenty-eight 206417
8	351887	Roller Presser, 1-1/4 in. diam., 9/64 in. face (fine) with 1528X, 201699C, 350104C and twenty-eight 206417

FOR MACHINE No. 236w110

6	351884	Roller Presser, 1 in. diam., 9/64 in. face (fine) (reverse angle) with 1528X, 201699C, 350104C and twenty-eight 206417
---	--------	--

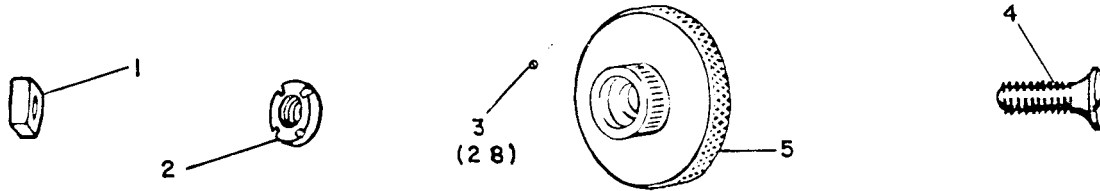
SPOOL HOLDER

9	350631X	Spool Holder Base Screw Note: 350631X Screw is used in place of the (center) 200194F Arm Top Cover Screw when Spool Holder is used instead of Thread Unwinder
10	204297	Spool Holder complete, Nos. 200079X, 202068 and 204296
11	204296	Spool Holder Wire
12	202068	Spool Holder Base
13	200079X	Spool Holder Wire Hinge Screw

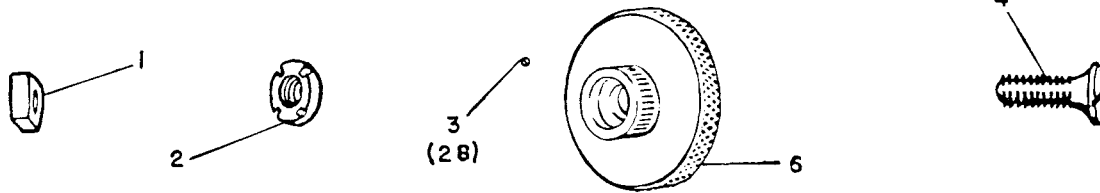
FITTINGS

ROLLER PRESSERS

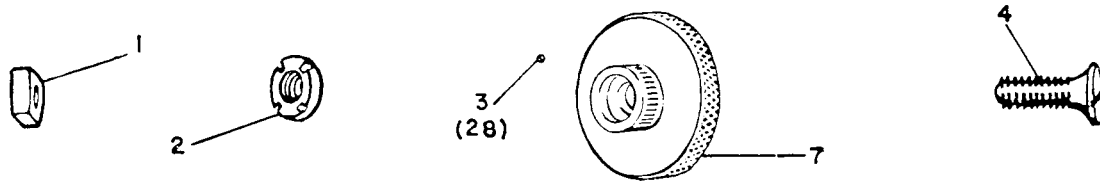
FOR MACHINES Nos. 236w100, 236w104, 236w105, 236w111 AND 236w112



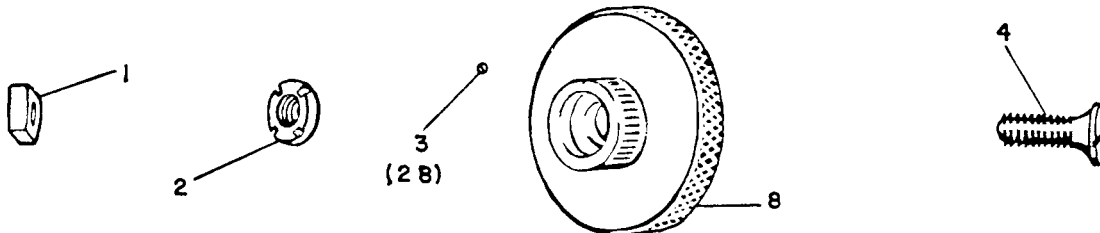
FOR MACHINES Nos. 236w100 AND 236w110



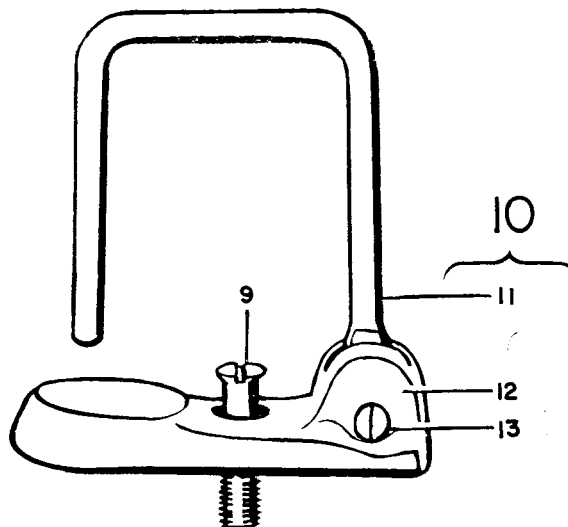
FOR MACHINES Nos. 236w100, 236w104, 236w105, 236w111 AND 236w112



FOR MACHINES Nos. 236w100, 236w104, 236w105, 236w111 AND 236w112



SPOOL HOLDER



FITTINGS
 ROLLER PRESSER DRIVING BELT (LOWER)
 DRIVING PULLEYS

FOR USE WITH $\frac{7}{8}$ INCH ROLLER PRESSERS

<u>Ref. No.</u>	<u>Part No.</u>	<u>Description</u>
1	263580	Roller Presser Driving Belt (lower) Driving Pulley with two 200958C
2	200958C	Roller Presser Driving Belt (lower) Driving Pulley Set Screw

FOR USE WITH 1 INCH ROLLER PRESSERS

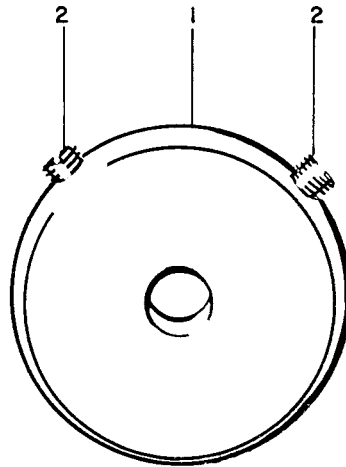
3	263508	Roller Presser Driving Belt (lower) Driving Pulley with two 200958C
2	200958C	Roller Presser Driving Belt (lower) Driving Pulley Set Screw

FOR USE WITH 1 - $\frac{1}{4}$ INCH ROLLER PRESSERS

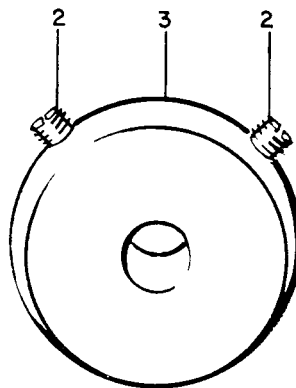
4	263588	Roller Presser Driving Belt (lower) Driving Pulley with two 200364C
5	200364C	Roller Presser Driving Belt (lower) Driving Pulley Set Screw

FITTINGS
ROLLER PRESSER DRIVING BELT (LOWER)
DRIVING PULLEYS

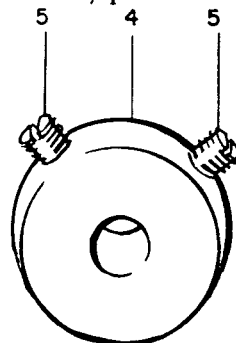
FOR USE WITH $\frac{7}{8}$ INCH ROLLER PRESSERS



FOR USE WITH 1 INCH ROLLER PRESSERS



FOR USE WITH 1 - $\frac{1}{4}$ INCH ROLLER PRESSERS



FITTINGS

KNIVES

FOR MACHINES Nos. 236w104 AND 236w112
(USE KNIFE HONE 259283)

<u>Ref. No.</u>	<u>Part No.</u>	<u>Description</u>
1	249191	Knife
1	263735	Knife
1	249200	Knife (chromium plated)

FOR MACHINES Nos. 236w105 AND 236w111
(USE KNIFE HONE 259283)

2	238508	Knife
2	238543	Knife
2	238546	Knife
2	238547	Knife
2	249264	Knife (chromium plated)
3	238544	Knife
3	238545	Knife
3	238548	Knife
3	238549	Knife
4	238550	Knife
4	238551	Knife

FOR MACHINE No. 236w110
(USE KNIFE HONE 259420)

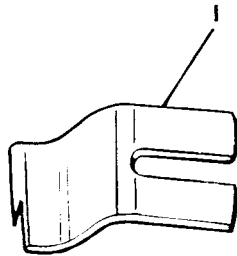
5	241574	Knife
6	248929	Knife
7	248863	Knife

FITTINGS

KNIVES

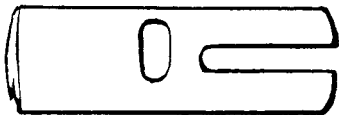
FOR MACHINES Nos. 236w104 AND 236w112

(USE KNIFE HONE 259283)

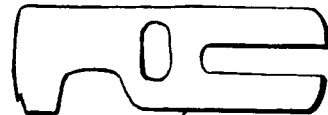


FOR MACHINES Nos. 236w105 AND 236w111

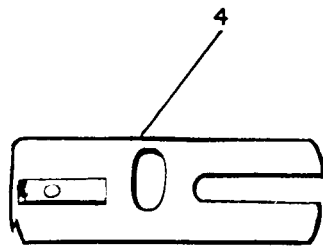
(USE KNIFE HONE 259283)



2



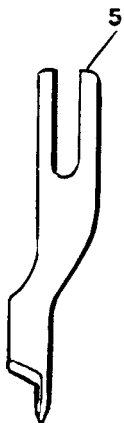
3



4

FOR MACHINE No. 236w110

(USE KNIFE HONE 259420)



5



6



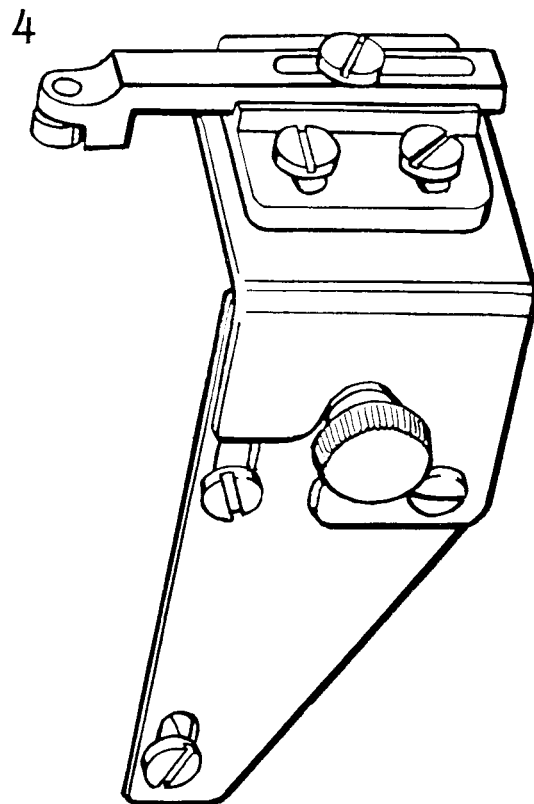
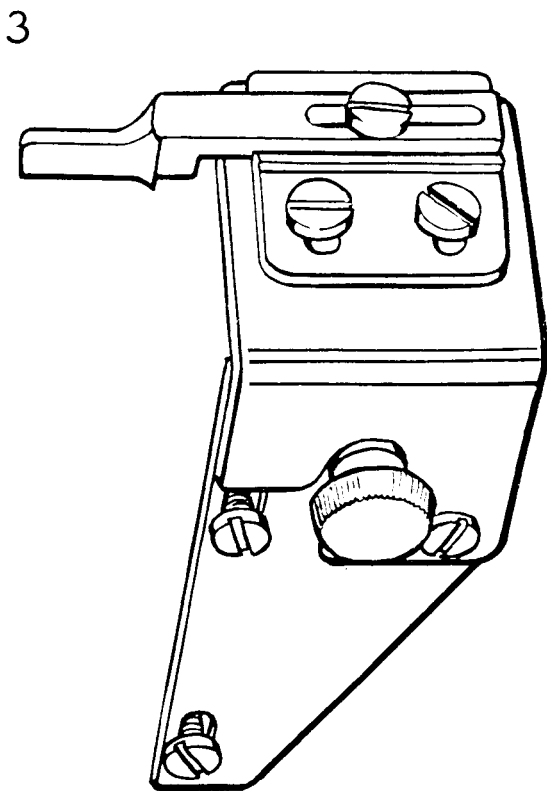
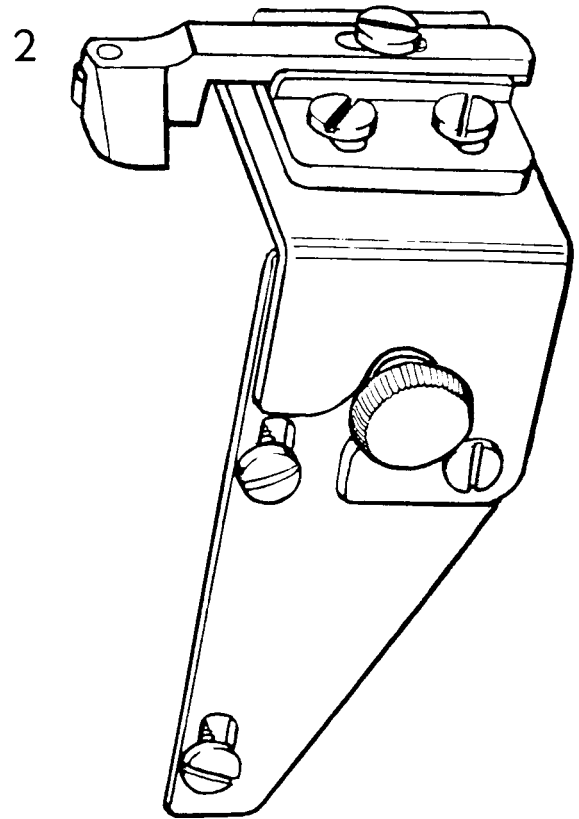
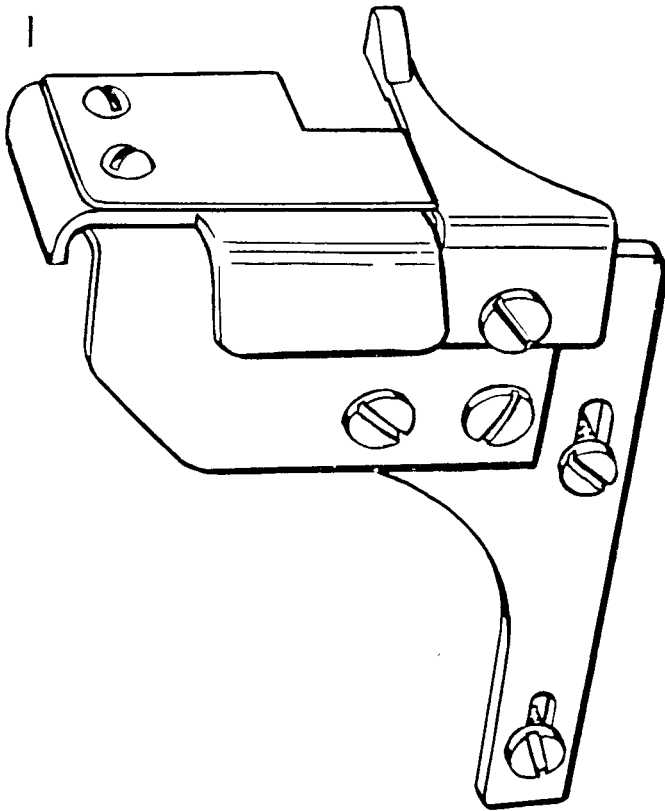
7

ATTACHMENTS
FOR MACHINE No. 236w100

<u>Ref. No.</u>	<u>Part No.</u>	<u>Description</u>
		ADJUSTABLE CALIFORNIA WRAPPER ATTACHMENT
1	259836	Adjustable California Wrapper Attachment
		EDGE GUIDE ATTACHMENT (SWING-UP) WITH CALIFORNIA EDGE GUIDE
2	259837	Edge Guide Attachment (Swing-up) with California Edge Guide
		EDGE GUIDE ATTACHMENT (SWING-UP) WITH PLAIN EDGE GUIDE
3	259838	Edge Guide Attachment (Swing-up) with Plain Edge Guide
		EDGE GUIDE ATTACHMENT (SWING-UP) WITH ROLLER EDGE GUIDE
4	259839	Edge Guide Attachment (Swing-up) with Roller Edge Guide

ATTACHMENTS

FOR MACHINE No. 236w100



ATTACHMENTS

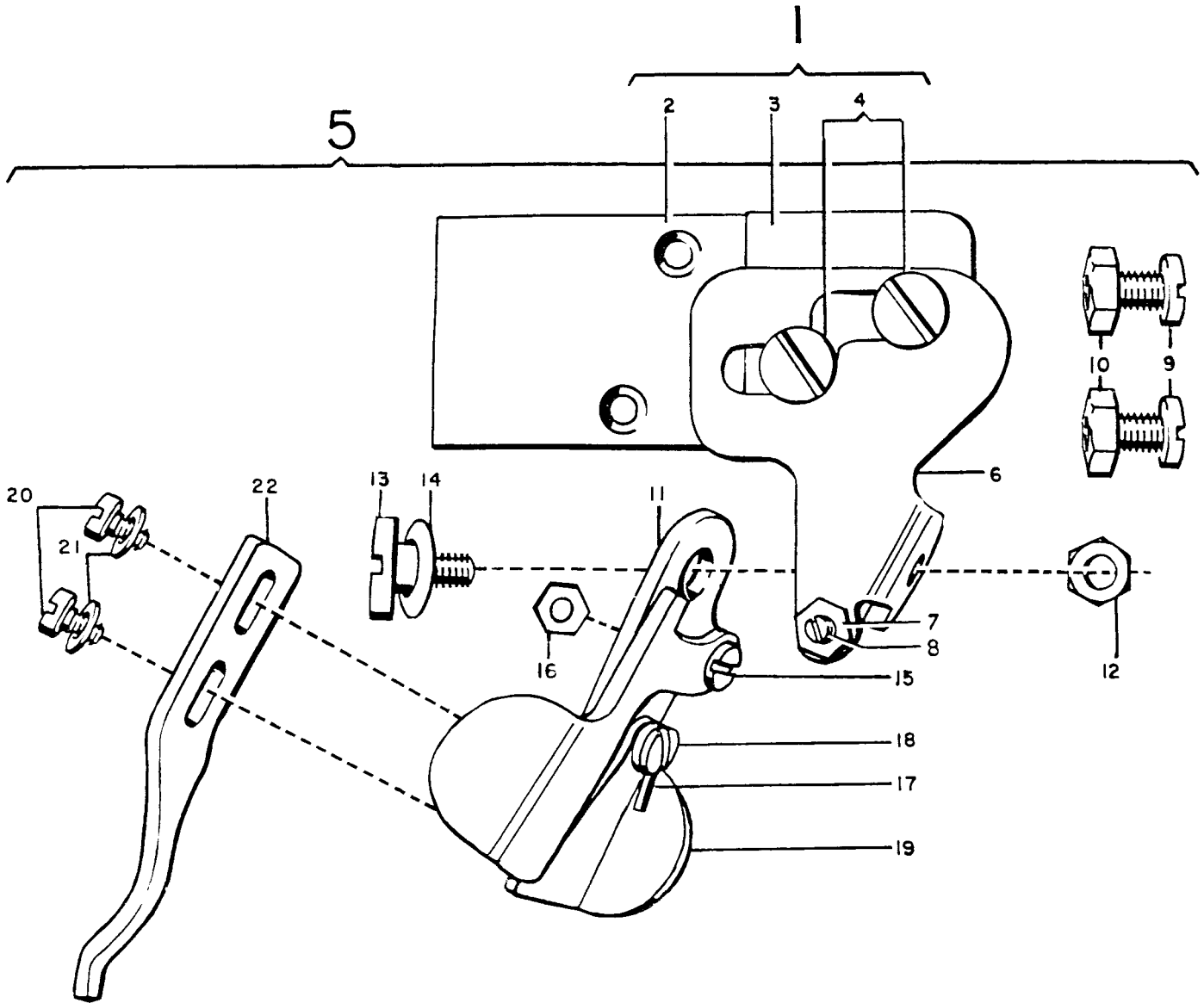
EDGE GUIDE

ON SWITCH-UP BRACKET

FOR MACHINE No. 236w100

<u>Ref. No.</u>	<u>Part No.</u>	<u>Description</u>
1	263807	Edge Guide Position Bracket complete, Nos. 263805, 263806 and two 200048E
2	263805	Edge Guide Position Bracket
3	263806	Edge Guide Position Bracket Spacer
4	200048E	Edge Guide Position Bracket Spacer Screw
5	259006	Edge Guide on Switch-up Bracket complete, Nos. 200268D, 200305E, 200311E, 201533E, 201537E, 226467, 259001 to 259005, two each 200126D, 200157E, 201539E and 202603
6	259002	Edge Guide Switch-up Bracket with 200336E and 201535E
7	201535E	Edge Guide Switch-up Lever Stop Screw Nut
8	200336E	Edge Guide Switch-up Lever Stop Screw
9	200157E	Edge Guide Switch-up Bracket Screw
10	201539E	Edge Guide Switch-up Bracket Screw Nut
11	259003	Edge Guide Switch-up Lever
12	201533E	Edge Guide Switch-up Lever Hinge Screw Nut
13	200268D	Edge Guide Switch-up Lever Hinge Screw
14	226467	Edge Guide Switch-up Lever Hinge Screw Washer
15	200305E	Edge Guide Switch-up Lever Latch Hinge Screw
16	201537E	Edge Guide Switch-up Lever Latch Hinge Screw Nut
17	259005	Edge Guide Switch-up Lever Latch Spring
18	200311E	Edge Guide Switch-up Lever Latch Spring Screw
19	259004	Edge Guide Switch-up Lever Latch
20	200126D	Edge Guide Screw
21	202603	Edge Guide Screw Washer
22	259001	Edge Guide

ATTACHMENTS
EDGE GUIDE
ON SWITCH-UP BRACKET
FOR MACHINE No. 236w100



ATTACHMENTS
NEEDLE BARS

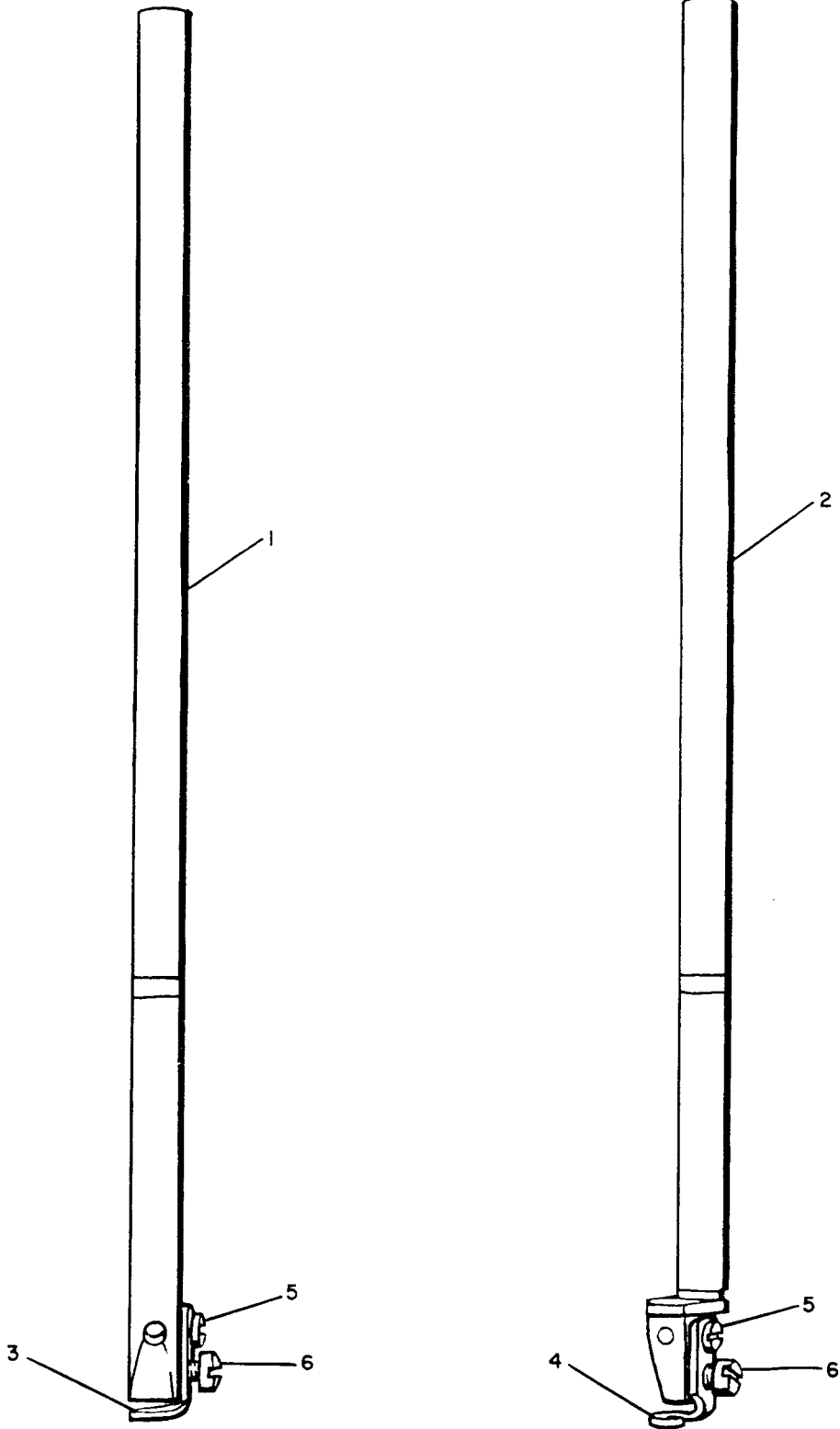
<u>Ref. No.</u>	<u>Part No.</u>	<u>Description</u>
1	263489	Needle Bar with 200125ALX, 200175D and 249270 (regularly fitted in 236w Machines)
1	263589	Needle Bar with 200125ALX, 200175D and 249270- (.065 diam. needle shank hole, for 16 class Needles)
2	263598	Needle Bar (offset) with 200125ALX, 200175D and 263599, for 263808 and 263810 (used when applying French Cord simultaneously with reinforcing tape)
3	249270	Needle Bar Thread Guide
4	263599	Needle Bar Thread Guide
5	200175D	Needle Bar Thread Guide Screw
6	200125ALX	Needle Set Screw

FOR FRENCH CORD WORK

FOR MACHINE No. 236w100

263809	French Cord Binding Attachment (adjustable) for leather strips from 3/8 to 1/2 in. wide (Ketterer type, W.S. Besset Inc.)
263810	Parts complete, for applying French Cord simultaneously with reinforcing tape, Nos. 201207D, 228849, 259842, 263580, 263581, 263598, 263809, 351885 and two 350620ALX
263811	Parts complete, for Plain French Cord Binding (leather) Nos. 201207D, 228849, 263580, 263581, 263585, 263809, 351885 and two 350620ALX

ATTACHMENTS
NEEDLE BARS



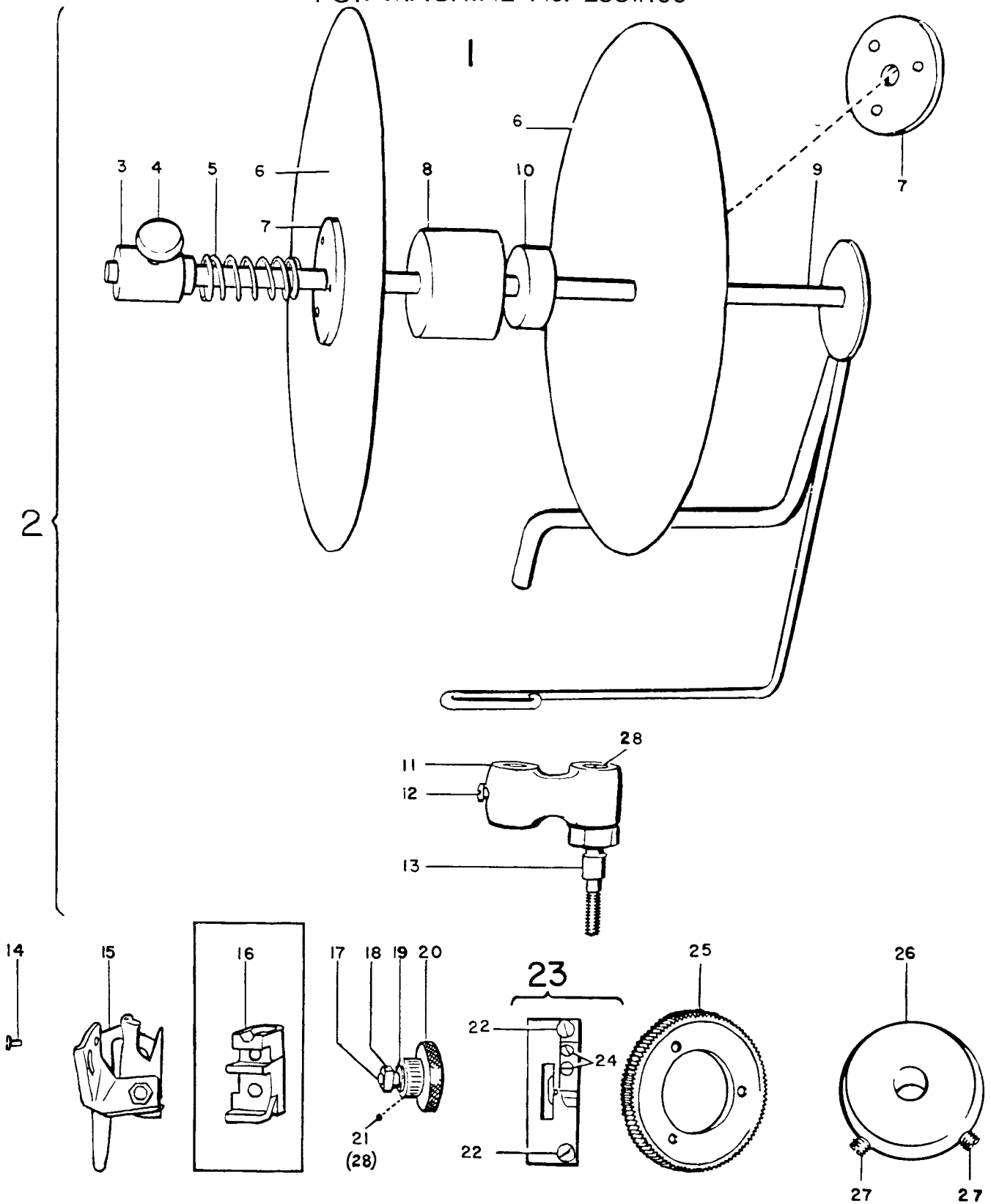
ATTACHMENTS
FOR PLAIN FRENCH CORD BINDING
FOR MACHINE No. 236w100

Ref. No.	Part No.	<u>Description</u>
1	263587	Parts complete, Nos. 201207D, 228849, 263580, 263581, 263585, 263586, 351885 and two 350620ALX
2	228849	Strip Reel complete, for Plain French Cord Binding, Nos. 13211, 26073, 200194F, 228468, 228469, 228847, 228848, 350632X and two 226199
3	26073	Strip Reel Tension Adjusting Collar with 51224W
4	51224W	Strip Reel Tension Adjusting Collar Thumb Screw
5	13211	Strip Reel Tension Adjusting Spring
6	226199	Strip Reel Disc (6 in. diam.) with 225980
7	225980	Strip Reel Disc Base
8	228469	Strip Roll Adapter 7/8 in. wide, 1-1/4 in. diameter
9	228848	Strip Reel Disc Rod
10	228468	Strip Roll Adapter 5/16 in. wide, 31/32 in. diameter
11	228847	Strip Reel Disc Rod Bracket with 200084F
12	200084F	Strip Reel Disc Rod Set Screw
13	350632X	Strip Reel Disc Rod Bracket Screw Stud
14	201207D	Binding Attachment Screw
15	263586	Binding Attachment (Ketterer Type-W. S. Bessett, Inc.)
16	235087	Roller Presser Arm Bracket (Also in Machine Page 30)
17	350104C	Roller Presser Hinge Screw
18	1528X	Roller Presser Hinge Screw Nut
19	201699C	Roller Presser Ball Cone
20	351885	Roller Presser, 7/8 in. diam., 9/64 in. face (medium) with 1528X, 201699C, 350104C and twenty-eight 206417 (For Plain French Cord Binding)
21	206417	Roller Presser Ball, 1/16 in. diameter
22	350620ALX	Throat Plate Screw
23	263585	Throat Plate complete (beveled) 56 elongated needle hole, for needle sizes 12 and 13, Nos. *263583, *263584 and two 350446X (For Plain French Cord Binding)
24	350446X	Throat Plate Edge Guide Screw
25	263581	Feed Wheel (flat) (close feed) (serrated) (For Plain French Cord Binding)
26	263580	Roller Presser Driving Belt (lower) Driving Pulley with two 200958C
27	200958C	Roller Presser Driving Belt (lower) Driving Pulley Set Screw
28	200194F	Strip Reel Disc Rod Bracket Screw Stud Screw
	*263583	Throat Plate (beveled) 56 elongated needle hole
	*263584	Throat Plate Edge Guide

REGULAR PARTS TO BE REMOVED WHEN CONVERTING TO ABOVE
FOR FRENCH CORD BINDING

249105	Throat Plate
263508	Roller Presser Driving Belt Lower Driving Pulley
263575	Feed Wheel
351883	Roller and Stud

ATTACHMENTS
FOR PLAIN FRENCH CORD BINDING
FOR MACHINE No. 236w100



ATTACHMENTS
FOR FRENCH CORD BINDING

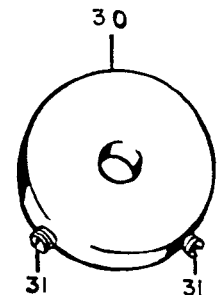
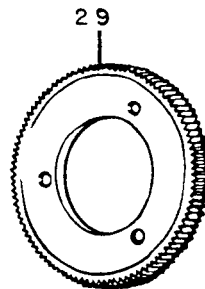
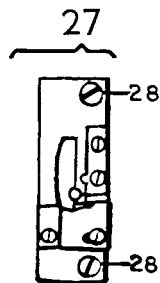
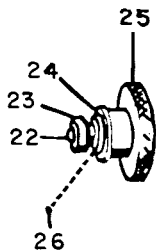
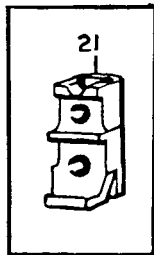
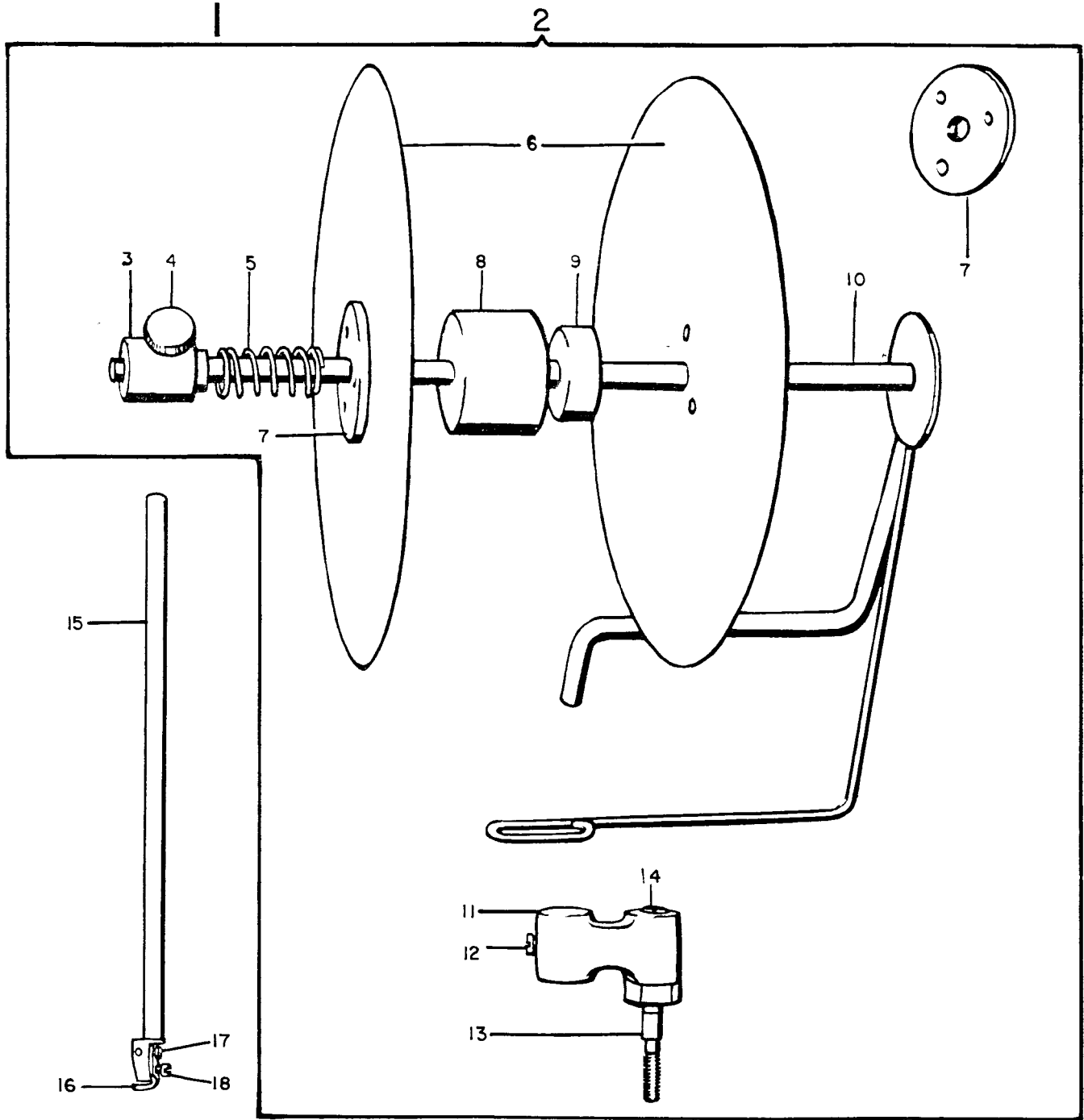
WITH REINFORCING TAPE
FOR MACHINE No. 236w100

Ref. No.	Part No.	<u>Description</u>
1	263808	Parts complete, for applying French Cord Binding simultaneously with reinforcing tape Nos. 201207D, 228849, 259842, 263580, 263581, 263586, 263598, 351885 and two 350620ALX
2	228849	Strip Reel complete, for Plain French Cord Binding, Nos. 13211, 26073, 200194F, 228468, 228469, 228847, 228848, 350632X and two 226199
3	26073	Strip Reel Tension Adjusting Collar with 51224W
4	51224W	Strip Reel Tension Adjusting Collar Thumb Screw
5	13211	Strip Reel Tension Adjusting Spring
6	226199	Strip Reel Disc (6 in. diam.) with 225980
7	225980	Strip Reel Disc Base
8	228469	Strip Roll Adapter, 7/8 in. wide, 1-1/4 in. diameter
9	228468	Strip Roll Adapter, 5/16 in. wide, 31/32 in. diameter
10	228848	Strip Reel Disc Rod
11	228847	Strip Reel Disc Rod Bracket with 200084F
12	200084F	Strip Reel Disc Rod Set Screw
13	350632X	Strip Reel Disc Rod Bracket Screw Stud
14	200194F	Strip Reel Disc Rod Bracket Screw Stud Screw
15	263598	Needle Bar (Offset) with 200125ALX, 200175D and 263599
16	263599	Needle Bar Thread Guide
17	200175D	Needle Bar Thread Guide Screw (also in Machine Page 30)
18	200125ALX	Needle Set Screw (also in Machine Page 30)
19	201207D	Binding Attachment Screw
20	263586	Binding Attachment (Ketterer Type-W.S. Bessett, Inc.)
21	235087	Roller Presser Arm Bracket (Also in Machine Page 30)
22	350104C	Roller Presser Hinge Screw
23	1528X	Roller Presser Hinge Screw Nut
24	201699C	Roller Presser Ball Cone
25	351885	Roller Presser, 7/8 in. diam., 9/64 in. face (medium) with 1528X, 201699C, 350104C and twenty-eight 206417 (For Plain French Cord Binding)
26	206417	Roller Presser Ball, 1/16 in. diameter
27	259842	Throat Plate complete with Adjustable Edge Guide and Adjustable Tape Guide (Bessett)
28	350620ALX	Throat Plate Screw
29	263581	Feed Wheel (flat) (close feed) (serrated) (For Plain French Cord Binding)
30	263580	Roller Presser Driving Belt (lower) Driving Pulley with two 200958C
31	200958C	Roller Presser Driving Belt (lower) Driving Pulley Set Screw

REGULAR PARTS TO BE REMOVED WHEN CONVERTING TO ABOVE
FOR FRENCH CORD BINDING WITH REINFORCING TAPE

249105	Throat Plate
263489	Needle Bar
263508	Roller Presser Driving Belt Lower Driving Pulley
263575	Feed Wheel
351883	Roller and Stud

ATTACHMENTS
FOR FRENCH CORD BINDING
WITH REINFORCING TAPE
FOR MACHINE No. 236w100



ATTACHMENTS

SOUTACHE BRAID ATTACHMENT
FOR APPLYING SOUTACHE BRAID
OR SINGLE NEEDLE STRIPPING
FOR MACHINE No. 236w100

<u>Ref. No.</u>	<u>Part No.</u>	<u>Description</u>
1	259856	Soutache Braid Attachment complete, Nos. 200082D, 201240D, 228849, 229744, 236645 and 259841, for applying Soutache Braid or Single Needle stripping 3/32 in. minimum width; Sample must be furnished.
2	228849	Strip Reel complete, for Plain French Cord Binding, Nos. 13211, 26073, 200194F, 228468, 228469, 228847, 228848, 350632X and two 226199
3	26073	Strip Reel Tension Adjusting Collar with 51224W
4	51224W	Strip Reel Tension Adjusting Collar Thumb Screw
5	13211	Strip Reel Tension Adjusting Spring
6	226199	Strip Reel Disc (6 in. diam.) with 225980
7	225980	Strip Reel Disc Base
8	228469	Strip Roll Adapter, 7/8 in. wide, 1-1/4 in. diameter
9	228468	Strip Roll Adapter, 5/16 in. wide, 31/32 in. diameter
10	228848	Strip Reel Disc Rod
11	228847	Strip Reel Disc Rod Bracket with 200084F
12	200084F	Strip Reel Disc Rod Set Screw
13	350632X	Strip Reel Disc Rod Bracket Screw Stud
14	200194F	Strip Reel Disc Rod Bracket Screw Stud Screw
15	259841	Soutache Braid Attachment
16	229744	Roller Presser Arm Shim, 1/64 in. thick
17	201240D	Soutache Braid Attachment Screw
18	236645	Roller Presser Arm Shim, .024 in. thick
19	200082D	Roller Presser Arm Screw

ATTACHMENTS

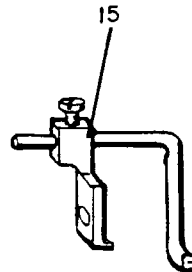
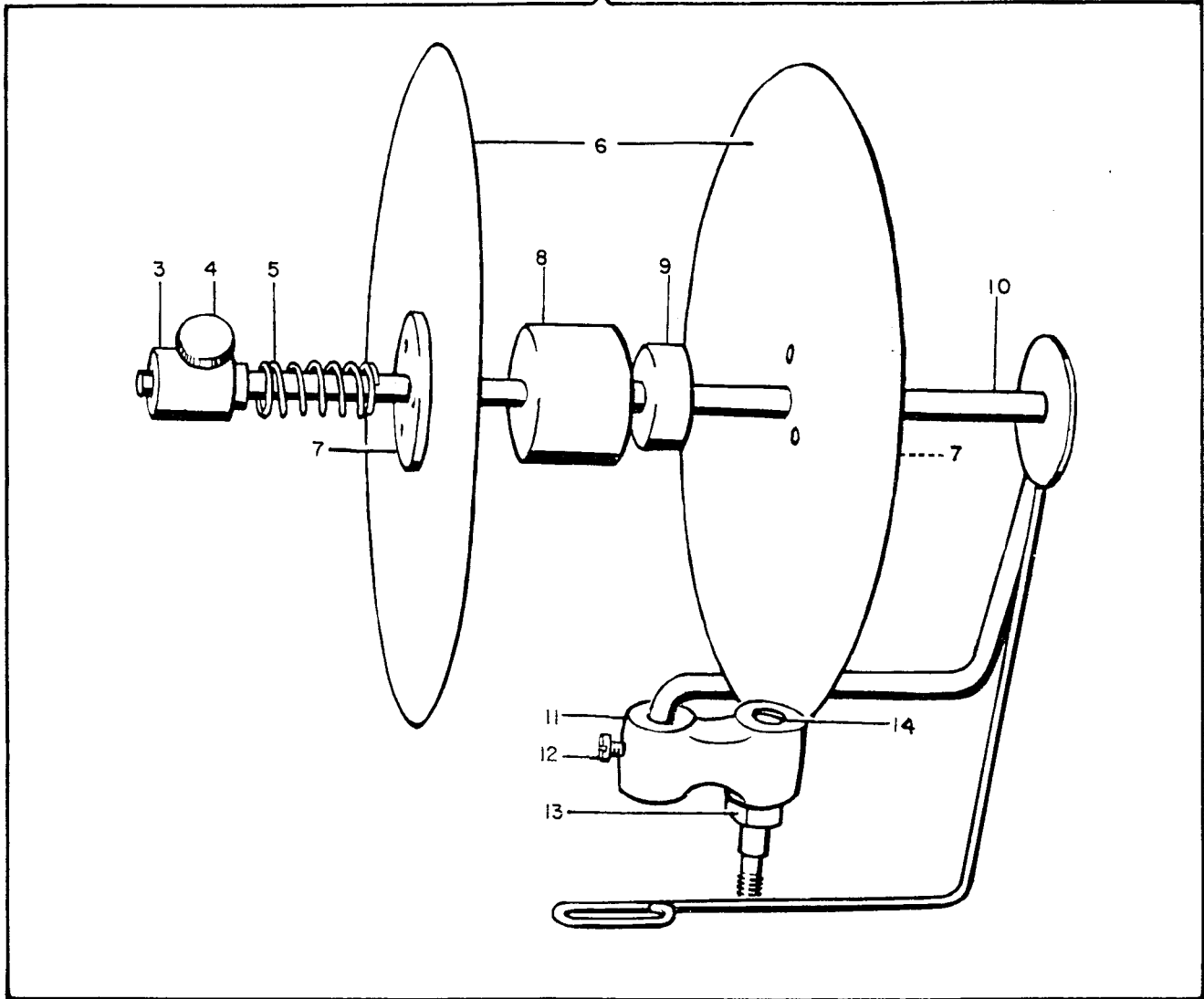
SOUTACHE BRAID ATTACHMENT

FOR APPLYING SOUTACHE BRAID OR SINGLE NEEDLE STRIPPING

FOR MACHINE No. 236w100

1

2



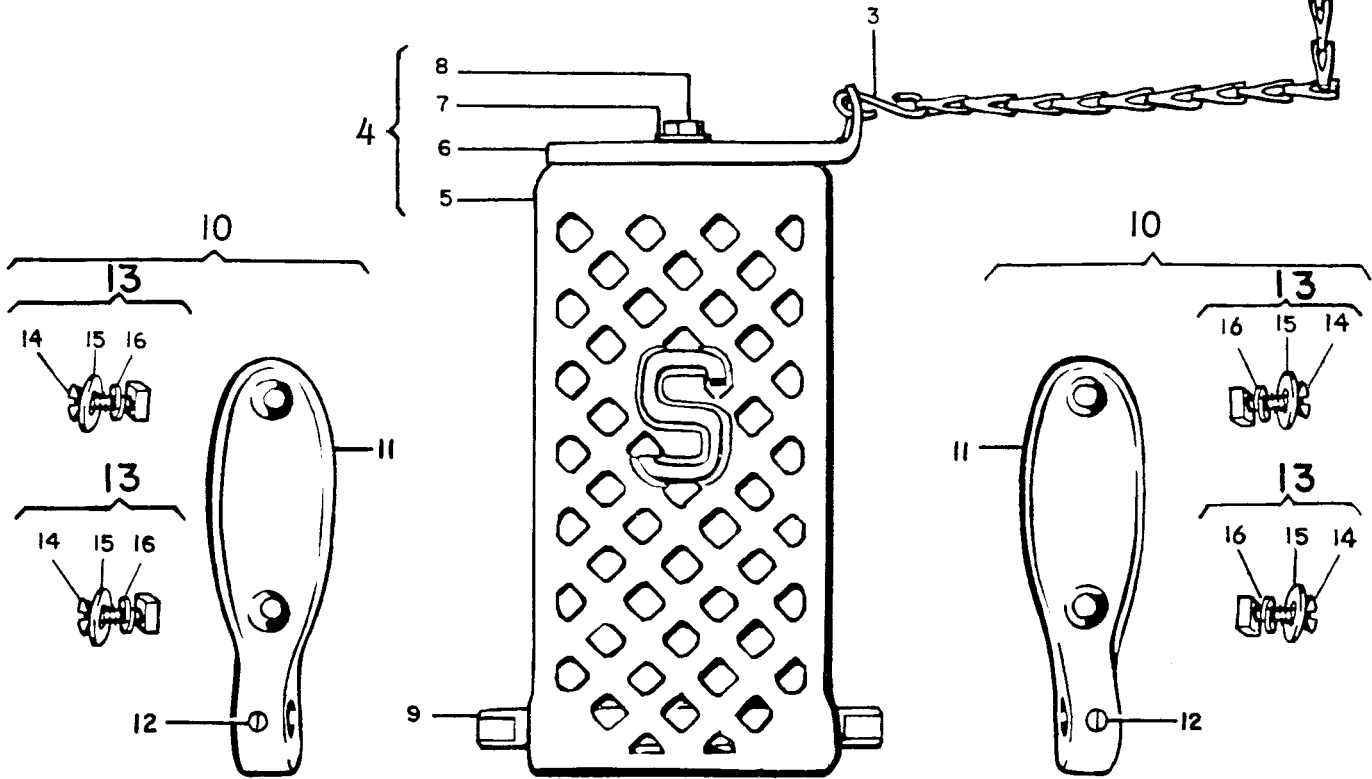
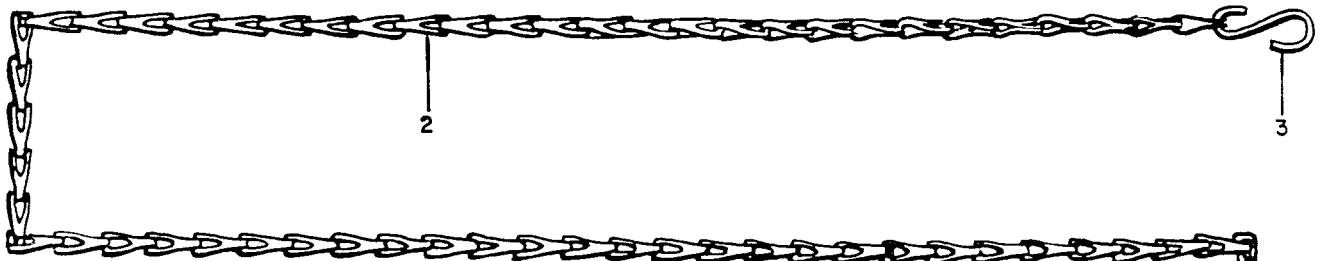
ATTACHMENTS

FOOT LIFTER TREADLE
 (FOR STANDS WITH FLAT TREADLE SUPPORT)
 FURNISHED ONLY WHEN SO ORDERED

<u>Ref. No.</u>	<u>Part No.</u>	<u>Description</u>
1	228838	Foot Lifter Treadle (for Stands with flat Treadle Support) complete, Nos. 227779, 228836, 228837 and two 228678
2	227779	Chain, 48 in. long, with two 202784
3	202784	Chain Hook
4	228836	Treadle 228835 with 2718R, 14373 and 50581R
5	228835	Treadle
6	14373	Treadle Extension
7	2718R	Treadle Extension Screw Washer
8	50581R	Treadle Extension Screw
9	228837	Treadle Shaft
10	228678	Treadle Bracket 228677 with two 46709
11	228677	Treadle Bracket with 200358C
12	200358C	Treadle Shaft Set Screw
13	46709	Treadle Bracket Bolt 51074R with 23250 and 67425
14	51074R	Treadle Bracket Bolt
15	23250	Treadle Bracket Bolt Washer
16	67425	Treadle Bracket Bolt Lock Washer

ATTACHMENTS
FOOT LIFTER TREADLE
(FOR STANDS WITH FLAT TREADLE SUPPORT)
FURNISHED ONLY WHEN SO ORDERED

I



ATTACHMENTS

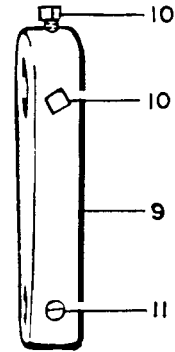
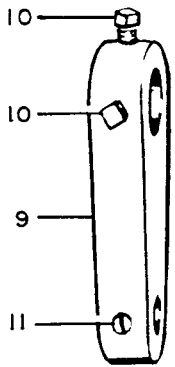
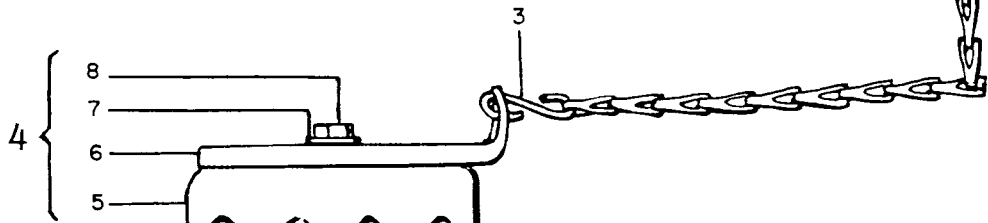
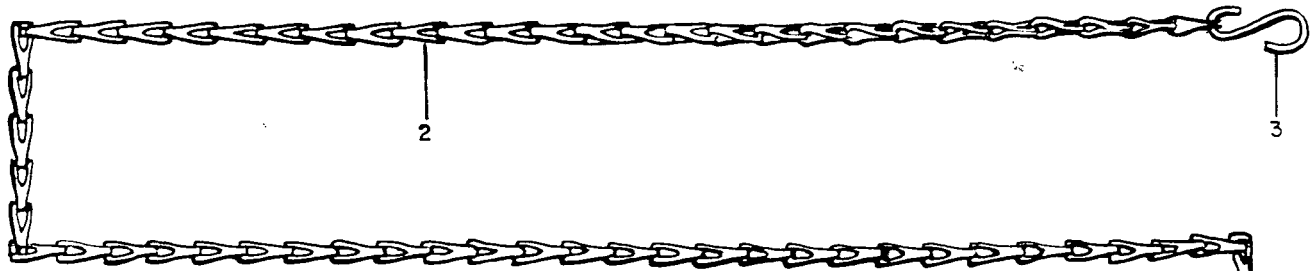
FOOT LIFTER TREADLE
 (FOR STANDS WITH ROUND TREADLE SUPPORT)
 FURNISHED ONLY WHEN SO ORDERED

<u>Ref. No.</u>	<u>Part No.</u>	<u>Description</u>
1	228840	Foot Lifter Treadle (for Stands with round Treadle Support) complete, Nos. 227779, 228836, 228837 and two 228683
2	227779	Chain, 48 in. long, with two 202784
3	202784	Chain Hook
4	228836	Treadle 228835 with 2718R, 14373 and 50581R
5	228835	Treadle
6	14373	Treadle Extension
7	2718R	Treadle Extension Screw Washer
8	50581R	Treadle Extension Screw
9	228683	Treadle Bracket with 200358C and two 200528C
10	200528C	Treadle Bracket Set Screw
11	200358C	Treadle Shaft Set Screw
12	228837	Treadle Shaft

ATTACHMENTS
FOOT LIFTER TREADLE

(FOR STANDS WITH ROUND TREADLE SUPPORT)
FURNISHED ONLY WHEN SO ORDERED

1



ATTACHMENTS

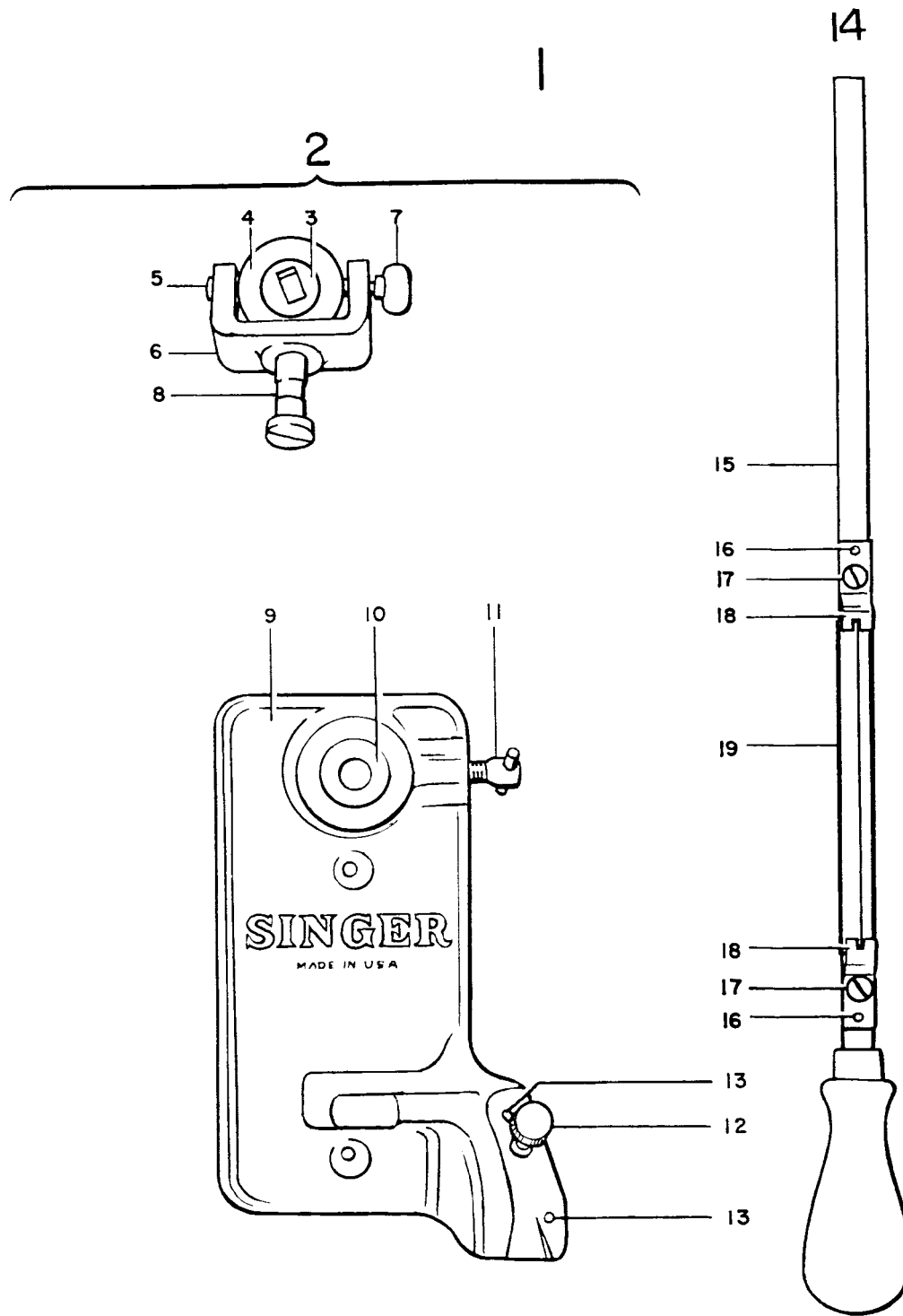
HONING DEVICE

FOR MACHINE No. 236w110

<u>Ref. No.</u>	<u>Part No.</u>	<u>Description</u>
1	259420	Honing Device (for trimming knives with pilot) complete, Nos. 259273, 259419 and Form 2467W
2	259419	Base 259418 with 674D, 721D, 259274 to 259277, 350373X, 350413C and 350425C
3	259274	Knife Hone Holder Guide
4	259275	Guide Collar
5	721D	Collar Set Screw
6	259276	Collar Yoke
7	350373X	Guide Thumb Set Screw
8	674D	Yoke Hinge Screw
9	259418	Base with two 260772
10	259277	Yoke Hinge Screw Bushing
11	350413C	Yoke Hinge Screw Bushing Set Screw
12	350425C	Knife Clamping Screw
13	260772	Knife Position Pin
14	259273	Knife Hone Holder 259272 with 259270, two each 200466X and 259271
15	259272	Knife Hone Holder with two 215057
16	215057	Knife Hone Clamp Position Pin
17	200466X	Knife Hone Clamp Thumb Screw
18	259271	Knife Hone Clamp
19	259270	Knife Hone

(For Honing Knives 241574, 248863 and 248929)

ATTACHMENTS
HONING DEVICE
FOR MACHINE No. 236w110



(For Honing Knives 241574, 248863 and 248929)

ATTACHMENTS

HONING DEVICE

FOR MACHINES Nos. 236w104, 236w105, 236w111 AND 236w112

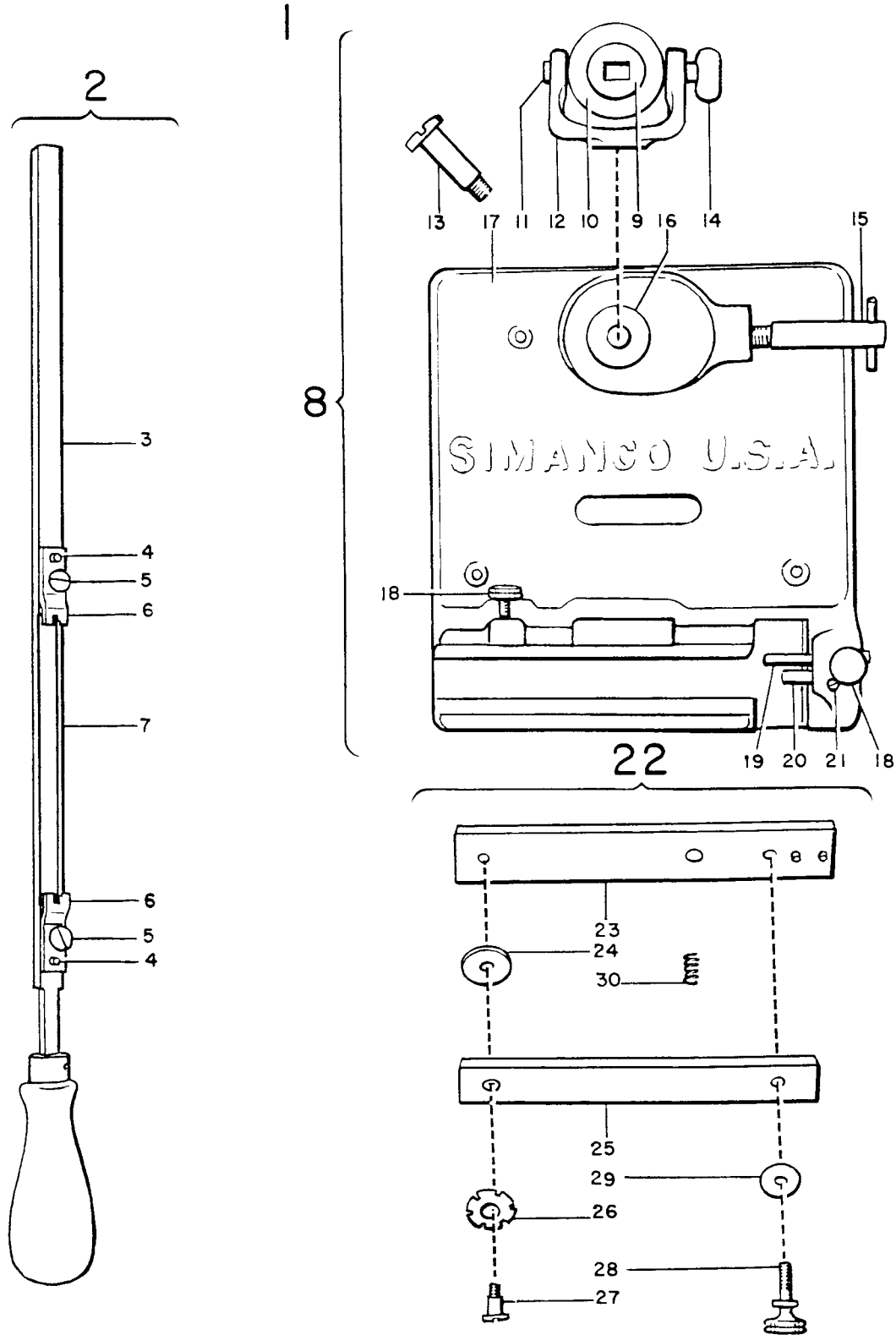
<u>Ref. No.</u>	<u>Part No.</u>	<u>Description</u>
1	259283	Honing Device complete, Nos. 259268, 259273, 259282, Form 2399w and three wood screws 1-1/2 in., No. 8
2	259273	Knife Hone Holder 259272 with 259270, two each 200466X and 259271
3	259272	Knife Hone Holder with two 215057
4	215057	Clamp Position Pin
5	200466X	Clamp Thumb Screw
6	259271	Knife Hone Clamp
7	259270	Knife Hone
8	259282	Base 259281 with 674D, 721D, 259274 to 259277, 259309, 259310, 350372C and 350373X
9	259274	Knife Hone Holder Guide
10	259275	Guide Collar
11	721D	Guide Collar Set Screw
12	259276	Guide Collar Yoke
13	674D	Guide Collar Yoke Hinge Screw
14	350373X	Guide Thumb Set Screw
15	350372C	Yoke Hinge Screw Bushing Set Screw
16	259277	Yoke Hinge Screw Bushing
17	259281	Base with 457AL and two 899D
18	899D	Thumb Screw
19	259310	Knife Stop Pin (long)
20	259309	Knife Stop Pin (short)
21	457AL	Knife Stop Pin Set Screw
22	259268	Knife Holder Clamp Base 259267 with 771X, 1359J, 36006, 41544, 259266, 259269 and 259284
23	259267	Clamp Base
24	259284	Clamp Washer
25	259266	Clamp
26	36006	Clamp Hinge Screw Washer
27	1359J	Clamp Hinge Screw
28	771X	Clamping Thumb Screw
29	41544	Clamping Thumb Screw Washer
30	259269	Clamp Spring

(For Honing Knives 238508, 238543 to 238551, 249191, 249200, 249264 and 263735)

ATTACHMENTS

HONING DEVICE

FOR MACHINES Nos. 236wI04, 236wI05, 236wIII AND 236wII2



(For Honing Knives 238508, 238543 to 238551, 249191, 249200, 249264 and 263735)

NUMERICAL LIST OF PARTS

Part No.	Page No.	Part No.	Page No.	Part No.	Page No.	Part No.	Page No.
104D....	42,54	51224W....	90,92	200084F....	36,90	200327C....	16
129E....	42,56	94		92,94		200328C....	16
145X....	44,56	51699X....	38,60	200086ALX.	30	200333C....	16,18
62		60884.....	28	200089C....	48	200336E....	86
207E....	30	60913.....	70	200092C....	28	200338C....	16,58
217E....	48	60914.....	70	200093X....	36,58	200346C....	18
350C....	68	67425.....	96	200094F....	46	200347AL...	16,18
356C....	68	68152.....	20	200096D....	30	200351C....	18,44
446ALX.	34	120342.....	64	200099X....	36,40	48,56,62	
457AL.	102	120343.....	64	52,58,74		200354C....	26
660C....	32	131717.....	20	200102C....	56	200358C....	44,62
674D...	100,102	131718.....	20	200111C....	32	96,98	
721D...	100,102	140300C....	20	200112X....	28	200362C....	16,22
771X...	102	140409C....	20	200113F....	66	30,44,62	
797C....	18	143057.....	30	200121E....	26	200363AL...	16
899D...	102	143058.....	30	200125ALX.	30,88	200364C....	38,48
1094D....	32	144261.....	20	92		62,80	
1130E....	16	144262.....	20	200126D....	86	200365C....	38,48
1255C....	20	144465.....	64	200126F....	46	60	
1359J...	102	150203.....	70	200130F....	26	200378C....	18
1528X....	30,78	150668.....	68	200132X....	36,58	200380C....	22,42
90,92		170168.....	28,36	200133C....	20	54,66	
1724E....	46	200001C....	28	200137X....	22,28	200381C....	48
2102.....	66	200004E....	28	200141F....	30	200382ALX.	16,20
2718R....	96,98	200006C....	56	200157E....	86	22,26,36	
2763.....	68	200007C....	28	200159F....	26	200386C....	38,56
4822.....	64	200013E....	36	200160E....	56	60	
6337.....	68	200028D....	46	200160X....	38,60	200387C....	26,46
12166.....	16	200031X....	46	200161X....	28,40	200389C....	42,48
13211.....	90,92	200040E....	28	52		54	
94		200041C....	22	200166X....	36,58	200394C....	18,42
13710.....	66	200043C....	46	200169X....	42,54	200396C....	26
14373.....	96,98	200048C....	42,54	200173D....	40,52	200398C....	30
23250.....	96	200048E....	86	200175D....	30,88	200403C....	32,40
24173.....	42,54	200050C....	38,48	92		42,52	
26073.....	90,92	62		200181X....	28	200417C....	48
94		200053C....	38,60	200194F....	28,90	200466X...	100,102
27739.....	70	200054E....	38,60	92,94		200528C....	98
36006....	102	200055C....	30	200197C....	40,52	200570E....	64
36737.....	46	200056E....	66	200224C....	28	200576X....	28
39576.....	68	200061ALX.	42,54	200243C....	42	200577AL..	28,46
39811.....	68	200064X....	48	200268D....	86	200578X....	28,40
40058.....	48	200065C....	38,60	200269XC..	40,52	56	
41401.....	64	200069C....	48	200274E....	20	200582X....	26
41544....	102	200076D....	40,52	200284D....	42,54	200587D....	22,36
46709.....	96	200077D....	46	200299X....	66	40,44,52,58,72	
50305C....	34	200078X....	46	200305E....	86	74,76	
50581R....	96,98	200079X....	78	200311E....	86	200594E....	24
51074R....	96	200082D....	66,94	200316C....	48	200605C....	18

NUMERICAL LIST OF PARTS

Part No.	Page No.	Part No.	Page No.	Part No.	Page No.	Part No.	Page No.
200666C....	30	201537E....	86	204389.....	46	228476.....	64
200693C....	48	201537X....	48	204411.....	46	228485.....	16
200739F....	36,58	201539E....	86	206417.....	22,30	228677.....	96
200802E....	46	201572X....	34,66	72,78,90,92		228678.....	96
200888.....	46	201574D....	38,60	206482.....	48	228683.....	98
200904D....	46	201616E....	20	206608.....	30	228685.....	68
200911X....	20	201671E....	30	206840.....	40,52	228740.....	30
200934D....	38,60	201699C....	30,78	208636.....	32	228764.....	70
200948C....	32,44	90,92		210958.....	34	228766.....	70
62		201706X....	48	210993.....	34	228767.....	70
200958C....	18,32	201725D....	42,54	214206.....	16,18	228768.....	70
56,80,90,92		201735E....	36,58	214833.....	42,54	228769.....	70
200984C....	24	201748X....	32	215057.....	18,100	228770.....	70
200989X....	26	202005.....	28	102		228774.....	70
201007C....	18	*202056.....	24	221215.....	26	228776.....	70
201042E....	38,60	202068.....	78	222013.....	48	228835.....	96,98
201051C....	28	202101.....	38,60	223438.....	34	228836.....	96,98
201052ALX.	20,38	202244.....	36	223844.....	34	228837.....	96,98
48,60		202258.....	64	224390.....	48,62	228838.....	96
201083C....	56	202259.....	70	225381.....	66	228840.....	98
201101C....	28	202338.....	30	225390.....	70	228842.....	18
201110E....	32	202410.....	34	225444.....	66	228843.....	68
201110X....	22,26	202412.....	28	225453.....	66	228844.....	68
201142C....	46	202478.....	66	225454.....	66	228845.....	68
201188C....	34	202558.....	30	225455.....	66	228846.....	68
201207D....	90,92	202559.....	30	225456.....	66	228847.....	90,92
201217D....	46	202603.....	40,46	225458.....	66	94	
201220ALX.	18	48,52,86		225459.....	66	228848.....	90,92
201231C....	28	202671.....	30	225461.....	66	94	
201237C....	34	202784.....	68,96	225462.....	66	228849.....	90,92
201240D....	94	98		225498.....	64	94	
201253F....	24	203100.....	16	225554.....	64	228882.....	64
201254C....	18,70	203101.....	38,48	225589.....	70	228883.....	64
201256D....	38,60	62		225837.....	40,52	228884.....	64
201256E....	42,56	203172.....	16	225980.....	90,92	229744.....	94
201376C....	24	203211.....	24	94		231836.....	20
201387F....	32	203212.....	24	226199.....	90,92	232154.....	38,48
201397C....	40,52	203213.....	24	94		62	
201409F....	24	203216.....	24	226467.....	86	232348.....	48
201418C....	26	203411.....	42,56	227493.....	70	233939.....	24,64
201421C....	18	*203476.....	26	227676.....	68	234426.....	26
201478C....	48	203478.....	26	227779.....	96,98	235087.....	30,90
201499X....	66	204230.....	46	228026.....	66	92	
201524E....	46	204233.....	46	228356.....	70	235088.....	30
201525E....	30	204235.....	28	228364.....	68	235769.....	24
201527E....	40,52	204243.....	26	228367.....	68	235771.....	24
201531X....	42	204296.....	78	228388.....	68	236089.....	30
201533E....	86	204297.....	78	228468.....	90,92	236645.....	94
201534X....	46	204361.....	46	94		238508.....	42,54
201535E....	86	204365.....	46	228469.....	90,92	64,82	
				94			

NUMERICAL LIST OF PARTS

Part No.	Page No.	Part No.	Page No.	Part No.	Page No.	Part No.	Page No.
238543.....	82	249092.....	22	259281.....	102	263431.....	18
238544.....	82	249105.....	22,74	259282.....	102	263432.....	18
238545.....	82	249113.....	74	259283.....	102	263433.....	18
238546.....	82	249114.....	74	259284.....	102	263434.....	18
238547.....	82	249162.....	38,60	259309.....	102	263435.....	18
238548.....	82	249163.....	38,60	259310.....	102	263436.....	18
238549.....	82	249164.....	38,60	259418.....	100	263437.....	18
238550.....	82	249165.....	38,60	259419.....	100	263438.....	22
238551.....	82	249166.....	38,60	259420.....	100	263439.....	22
240034.....	34	249171.....	38,60	259428.....	66	263440.....	22,26
241574.....	82	249180.....	74	259429.....	66	263441.....	22,26
241604.....	24	249181.....	74	259461.....	66	263442.....	22
241625.....	46	249182.....	74	259462.....	66	263444.....	26
241626.....	46	249183.....	74	259660.....	66	263445.....	26
241633.....	46	249187.....	36,40	259662.....	66	263446.....	26
241674.....	24	52,58,74		259836.....	84	263447.....	72
241675.....	24	249188.....	74	259837.....	84	263449.....	22,72
241676.....	24	249189.....	74	259838.....	84	263450.....	22,72
241677.....	24	249191.....	82	259839.....	84	263451.....	22,72
241721.....	42,54	249200.....	82	259841.....	94	263452.....	22,72
241732.....	40,52	249229.....	76	259842.....	74,92	263453.....	22
241738.....	42,54	249231.....	76	259856.....	94	263454.....	20
241765.....	28	249264.....	82	260772.....	100	263455.....	22
244048.....	34	249270.....	30,88	263093.....	40,52	263456.....	20
244049.....	34	249282.....	42	*263401.....	28	263457.....	20
244071.....	66	*249288.....	42,54	263402.....	28	263458.....	20
244746.....	26	249289.....	56	263403.....	28	263459.....	28
247623.....	26	249292.....	56	263404.....	28	263460.....	22
248863.....	82	249295.....	56	263405.....	28	263461.....	22
248878.....	46	249298.....	56	*263406.....	16	*263462.....	24
248879.....	46	250405.....	38	263407.....	36	263463.....	24
248880.....	46	259001.....	86	263408.....	16	263464.....	24,26
248881.....	46	259002.....	86	263409.....	16	263465.....	18
248882.....	46	259003.....	86	263410.....	16	263467.....	18
248894.....	46	259004.....	86	263412.....	28	263468.....	18
248895.....	46	259005.....	86	*263413.....	28	263469.....	18
248896.....	46	259006.....	86	263414.....	28	263470.....	18
248910.....	44,76	259266.....	102	263415.....	28	263471.....	18
248911.....	44,76	259267.....	102	263417.....	28	263472.....	18
248912.....	44,76	259268.....	102	263421.....	26	263473.....	26
248913.....	76	259269.....	102	263422.....	20	263474.....	26
248914.....	76	259270.....	100,102	263423.....	20	263476.....	26
248916.....	76	259271.....	100,102	263424.....	20	263477.....	26
248925.....	76	259272.....	100,102	263425.....	20	263478.....	26
248926.....	76	259273.....	100,102	263426.....	20	263479.....	26
248929.....	46,64	259274.....	100,102	263427.....	20	263480.....	26
82		259275.....	100,102	263428.....	20	263481.....	26
249019.....	22	259276.....	100,102	263429.....	18	263482.....	26
249059.....	74	259277.....	100,102	263430.....	18	263483.....	28

NUMERICAL LIST OF PARTS

Part No.	Page No.	Part No.	Page No.	Part No.	Page No.	Part No.	Page No.
263484.....	28	263538.....	16	263589.....	88	263638.....	44
263485.....	28	263539.....	16	263590.....	28,36	263639.....	44,62
263486.....	28	263540.....	16	263591.....	20	263640.....	44,58
263487.....	16	263541.....	28	263592.....	22,26	263641.....	72
263488.....	16	263543.....	16	263593.....	26	263642.....	72
263489.....	30,88	263544.....	16	263594.....	26	263643.....	76
263490.....	30	263545.....	16	263595.....	26	263644.....	76
263491.....	30	263546.....	30	263598.....	88,92	263645.....	48,62
263492.....	16	263547.....	34	263599.....	88,92	263651.....	52
*263493.....	16	263548.....	34	263600.....	22,40	263652.....	56
263495.....	30	263549.....	34	56		263655.....	40,52
263496.....	30	263550.....	34	*263601.....	44,58	263656.....	40,52
263497.....	30	263551.....	34	263602.....	44,62	263657.....	40,52
263498.....	30	263552.....	34	263603.....	46	263658.....	40,52
263499.....	30	263553.....	34	263604.....	44	263659.....	36,40
263500.....	30	263554.....	28	263605.....	44,72	52,58	
263501.....	30	263555.....	28	263607.....	44,72	263660.....	36,40
263504.....	30	263557.....	34	263608.....	46	52,58,72	
263505.....	30	263558.....	34	263609.....	48	263662.....	36,40
263506.....	32	263560.....	16	263610.....	48	52,58,72	
263507.....	32	263561.....	26	263611.....	48	263663.....	40,52
263508.....	32,80	263563.....	24	263612.....	46	263664.....	40,52
*263509.....	32,44	263564.....	32	263613.....	48	263665.....	42,54
62		263565.....	32	263614.....	48	263666.....	42,54
263510.....	32,44	263566.....	32	263615.....	48	263667.....	42,54
62		263567.....	18	263616.....	48	263668.....	42,54
263511.....	32	263568.....	26	263617.....	48	263669.....	42,54
263512.....	32	263569.....	18	263618.....	48	263670.....	42,54
263513.....	32,44	263570.....	16	263619.....	48	263671.....	56
62		263571.....	16	263620.....	44,62	263672.....	54
263515.....	32	263572.....	16	263621.....	44,62	263673.....	54
263517.....	32	263573.....	16	263622.....	48	263674.....	42,54
263518.....	32	263574.....	20	263623.....	48	263675.....	42,54
263519.....	30	263575.....	22,72	263624.....	48	263676.....	42,54
263521.....	30	263576.....	72	263625.....	48	263677.....	42,56
263522.....	32	263577.....	64	263626.....	38,48	263678.....	56
263523.....	32	263578.....	20	62		263679.....	56
263524.....	32	263579.....	20	263627.....	48	263680.....	56
263525.....	32	263580.....	80,90	263628.....	48,62	263681.....	40,52
263526.....	32	92		263630.....	48	263682.....	40,52
263527.....	32	263581.....	72,90	263631.....	38,48	263683.....	40,52
263528.....	32	92		62		263684.....	40,52
263529.....	32	263582.....	26	263632.....	46	263685.....	40,52
263530.....	32	*263583.....	74,90	263633.....	46	263686.....	42,54
263531.....	32	*263584.....	74,90	263634.....	28	263687.....	42,54
263532.....	32	263585.....	74,90	263635.....	44,56	263688.....	42,54
263533.....	32	263586.....	90,92	62		263689.....	56
263534.....	32	263587.....	90	263636.....	44,62	263690.....	40,52
263537.....	18	263588.....	80	263637.....	44	263691.....	40,52

NUMERICAL LIST OF PARTS

Part No.	Page No.	Part No.	Page No.	Part No.	Page No.	Part No.	Page No.
*263701.....	40	263801.....	28,40	350611X....	26		
263703.....	42	56		350612C....	30		
263704.....	42	263802.....	28	350613F....	34		
263705.....	42	263803.....	28,40	350614C....	38,60		
263706.....	42	56		350614X....	46		
263707.....	42	263804.....	28,40	350615C....	48		
263708.....	42	56		350617C....	56		
263712.....	42	263805.....	86	350620ALX..	22,74		
263714.....	42	263806.....	86	76, 90, 92			
263715.....	42	263807.....	86	350624C....	38,60		
263716.....	36,40	263808.....	92	350625F....	38,60		
52, 58, 74		263809.....	88	350631X....	78		
263717.....	36,40	263810.....	88	350632X....	90,92		
52, 58, 74		263811.....	88	94			
263727.....	36,58	265522.....	26	350633C....	38,60		
263728.....	36,58	267093.....	28	351883.....	30,78		
263729.....	36,58	267263.....	46	351884.....	44,78		
263730.....	36,58	268072.....	38,60	351885.....	78,90		
263731.....	36,58	268425.....	32	92			
263732.....	36,58	270033.....	18	351887.....	78		
263733.....	36,58	270200.....	18	995536.....	44,50		
263734.....	36,58	272115.....	18,48	56, 62			
263735.....	38,60	272142.....	16				
64, 82		276046.....	44,58				
263736.....	38,60	350104C....	30,78				
263737.....	38,60	90, 92					
263738.....	38,60	350109C....	48				
263739.....	38,60	350175E....	20				
263740.....	38,60	350231C....	68				
263741.....	38,60	350238D....	42,54				
263742.....	38,60	350264E....	76				
263744.....	38,60	350302F....	46				
263745.....	38,60	350316X....	40,56				
263746.....	38,60	350355C....	42,54				
263747.....	38,60	350372C....	100,102				
263748.....	38,60	350373X....	100,102				
263749.....	38,60	350405C....	24				
263750.....	38,60	350411C....	22				
263751.....	38,62	350413C....	100				
263752.....	36,58	350425C....	100				
*263776.....	36	350446X....	26,74				
263777.....	38	90					
263778.....	38	350477C....	18				
263779.....	36	350492C....	16				
263781.....	36	350548C....	18				
263782.....	36	350559X....	34				
263783.....	36	350609E....	26				
263784.....	36	350610E....	26				