

SINGER
302U406EV

3 0 2 U 4 0 6 E V

NEW MODEL CONSOLLE

2ND VERSION

302U406E

Automatic Workstation for Sewing Waistbands

OPERATION

The machine is designed to count stitches at the beginning and end of a waistband, and can be programmed in four different ways:-

1. With final stop
2. With intermediate stop (semi-automatic function)
3. With or without "non-seaming" device at beginning and end of waistband for folding in the ends.
4. With or without band cut.

From the moment the trousers are inserted in the folder and the treadle is depressed, scanner n° 4 begins the stitch count which has been set on "scucitura iniziale" on the control panel. When this stitch count is completed the non-seaming device (normally held in action after finish of previous seam) is thrown out of action.

The machine continues to sew until scanner n° 3 senses the trouser material and slows the machine speed down to 250 r.p.m. (P.1 on EFKA Control Box).

The machine sews at low speed until scanner n° 2 senses the trouser material and starts the stitch count which has been set under "taglio iniziale" on control box. At this point the band is cut, and the machine then returns to normal speed.

During normal sewing, the treadle can be released to stop the machine for insertion of labels etc.

At the end of the waistband, scanner n° 4 detects the end of the trouser and begins counting the number of stitches which have been set under "scucitura finale" on the control box, after which the non-seaming device is activated.

The "non-seaming device" will now remain in action

MODE 1 - WITH FINAL STOP

The machine continues to sew until scanner n° 2 senses the trouser end, counts the number of stitches under "taglio finale" and the machine cuts automatically and the machine stops. In this mode, scanner n° 3 acts as a safety scanner and has given the ok for cutting the waistband.

During the cutting cycle the machine runs at a reduced speed of 700 r.p.m. which is adjusted on P2 on EFKA Box.

To make the machine sew the next cycle it is necessary to release the treadle and re-press

MODE 2 INTERMEDIATE STOP (SEMI - AUTOMATIC FUNCTION)

The machine continues to sew until scanner n° 3 senses the trouser end and stops the machine ready to insert a new trouser into the folder.

After insertion of new trousers, the machine starts again, performing the non-seaming operation at the start, utilising scanner n° 4 and throws out of action the non-seaming device when the stitch count has been made.

In the meantime scanner n° 2 senses the end of the trousers, actuates the cutter for the final cut of the trouser already sewn, and it is ready for the initial cut of the next trouser, (because scanner n° 3 has given its consent).

Once scanner n° 2 senses the edge of the new trouser, it starts the stitch count for the initial cut.

At the end of seaming, scanner n° 4 senses the trouser end, engages the non-seaming device, and when scanner n° 3 senses the end of the trousers, the machine stops for the introduction of a new trouser.

3. The non-seaming device can be switched on or off on the control box.
4. The waistband cutter can be switched on or off on the control box.

IMPORTANT

When the knife guard is swung out, the safety micro-switch disconnects the circuit to the cutter and the LED on the control box also goes off.

SCANNER SETTINGS

There are three scanners on the machine,

Scanner n° 3 (intermediate) has two functions, when operating in Mode 1 it acts as a safety scanner against accidental cut and in Mode n° 2 it stops the machine.

- 1) Belt length at beginning of trouser.

Set "taglio iniziale"

- 2) Belt end length

This is adjusted by changing the number of stitches under "taglio finale".

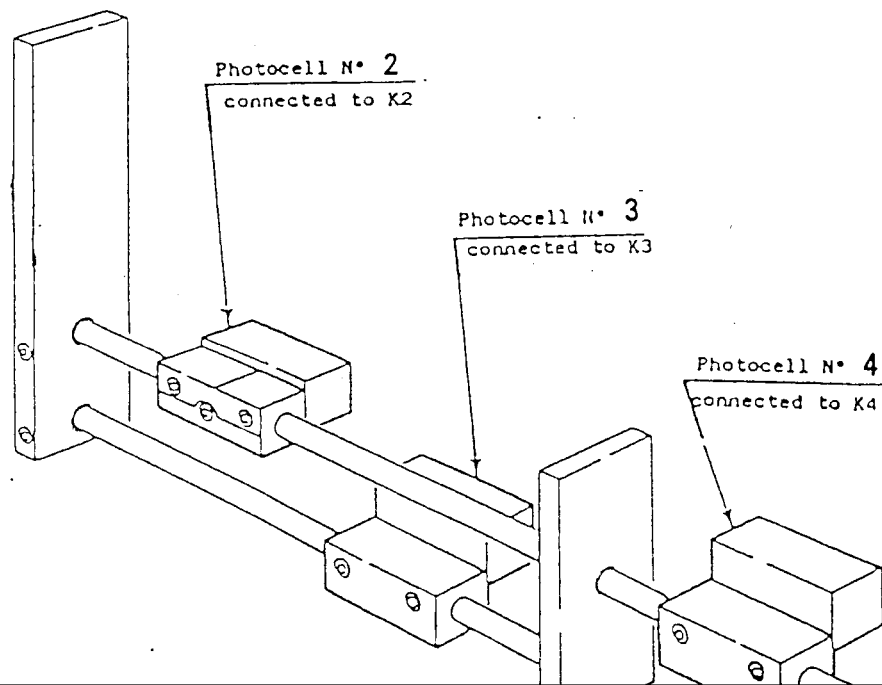
- 3) Non-seaming length at beginning

Controlled by number of stitches under "scucutura iniziale" on control panel

- 4) Nonseaming length at end

Controlled by number of stitches under "scucutura finale".

All scanners have a LED to indicate on or off and they reflect off the plate below them.



Throughbeam Type

- The optical beam shall be adjusted to the center of range until the projected light indicator lamp (Red LED) goes out against each direction, by swinging out the light source in up/down and right/left directions.
- Confirm that the green LED lights.
- Green LED lights when increased 20% upper operation level.
(When light reflection caused by a floor, wall, etc. is detected, reduce the sensitivity.)

Pinholes Masks

- To detect small diameter objects, select the appropriate sized pinholes mask.
- Affix directly to the lens surface of the transmitter or receiver.
- Refer to the charts below for effective beam width using mask.

Available for GT1, GT1S

Pinhole masks	φ 1	φ 2	φ 3	5×1
setting distance	5cm	15cm	30cm	20cm

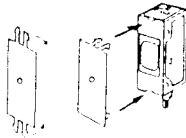
(setting distance : attached 2 masks)

Available for GT3RS, GT7S (Option)

MODEL	GP1	GP2	GP3	GP5-1
pinhole mask	φ 1	φ 2	φ 3	5×1
setting distance	GT3RS 15cm	50cm	1.5m	1m
distance	GT7S 20cm	70cm	2m	1.2m

(setting distance : attached 2 masks)

How to set the pinhole mask

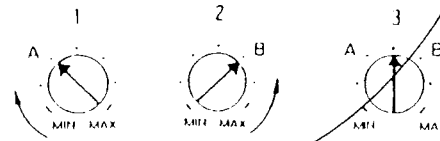


- After perpendicularly bending the upper and lower tabs from their bases, insert the mask into the sensor receptacles for attachment.
- Avoid dust or water on the pinhole mask as this may cause a malfunction.

Diffuse & Convergent Reflection Type

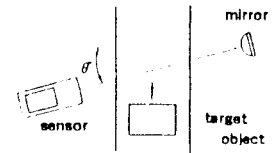
Light-On Condition

- Set a target object and then increase the sensitivity adjustment gradually from the minimum position until the indicator LED is on. (Point A)
- Remove the target object and gradually decrease the sensitivity adjustment from the maximum position until the LED is off. (Point B) If the LED is still off even though the potentiometer is at the maximum position, this maximum position should be the point B.
- Set the potentiometer at the center between points A and B.
- Confirm that both of red LED and green LED light.



Retro Reflection Type

- To prevent false-triggering when detecting shiny or metal objects, mount the sensor on a some angle to the target object.
- Refer to the Fig. below.



- Reduce the sensitivity in case of detecting white paper.
- Swing the sensor up/down and right/left opposite mirror and set it at the center between the positions where the light indicator (red LED) is off in each direction.
- Confirm the operation by repeating light shielding/projection.

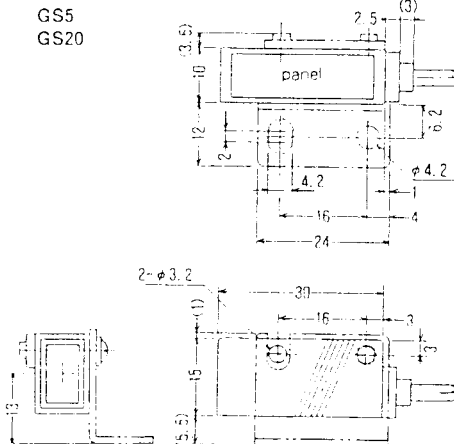
NOTES

- In cleaning the lens and the case, be sure to use a dry cloth and gently wipe off dusts from them.
Do not use thinner or alcohol.
- Avoid such a usage as continuously switching on and off the power source.
- Though this sensor is of water-proof construction, you can not use the sensor at the place with water being sprayed at all times or under the water.
- Don't wire together with power lines.
- When a commercial available switching regulator is used, ground the frame ground FG.
- Available cable diameter is 3mm (min.) for extension.
- Use an insulated transformer. Don't use an auto-transformer.

DIMENSIONS

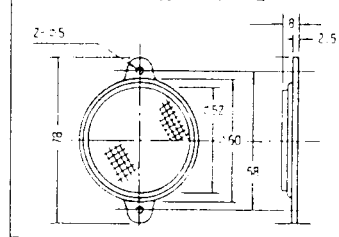
Basic Type

GT1
GT3
GS5
GS20



● The transmitter has only a power indicator.

Reflector K - 2

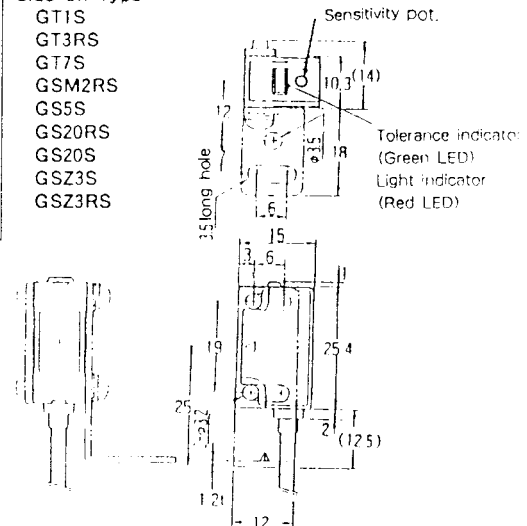


Cable Cross Section

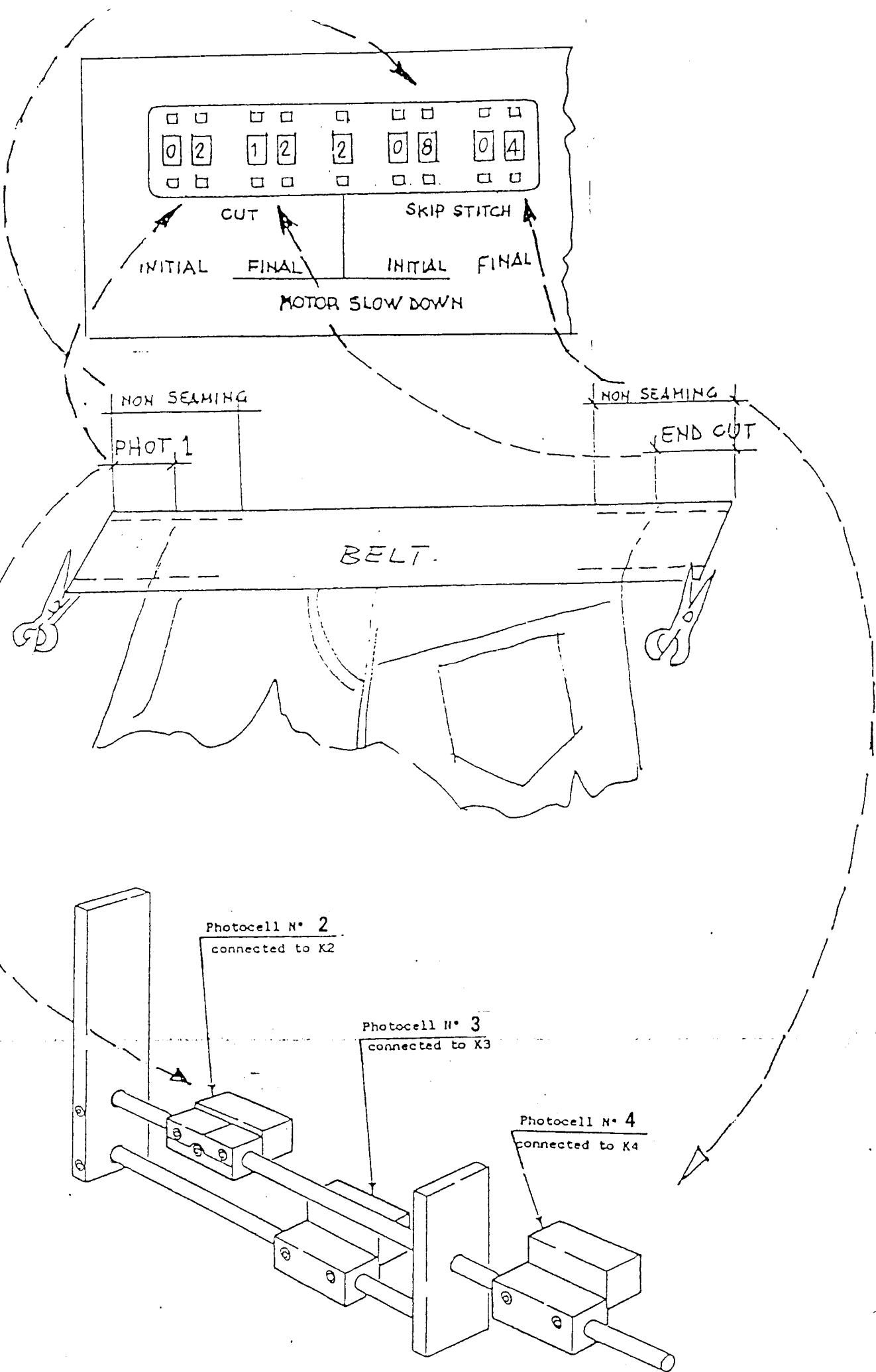
- Throughbeam type Transmitter
Black (Green LED), Red (Red LED)
- Throughbeam type Receiver
Black (Green LED), White (Red LED)
- Reflection type
Green (Green LED), Red (Red LED)

Side-on Type

GT1S
GT3RS
GT7S
GSM2RS
GS5S
GS20RS
GS20S
GSZ3S
GSZ3RS



Specifications and external dimensions described herein may be subject change without notice, if necessary for the purpose of improvements.



□	□	□	□	□	□	□	□	□
0	2	1	2	2	0	8	0	4
□	□	□	□	□	□	□	□	□

CUT SKIP STITCH
 INITIAL FINAL INITIAL FINAL
 MOTOR SLOW DOWN

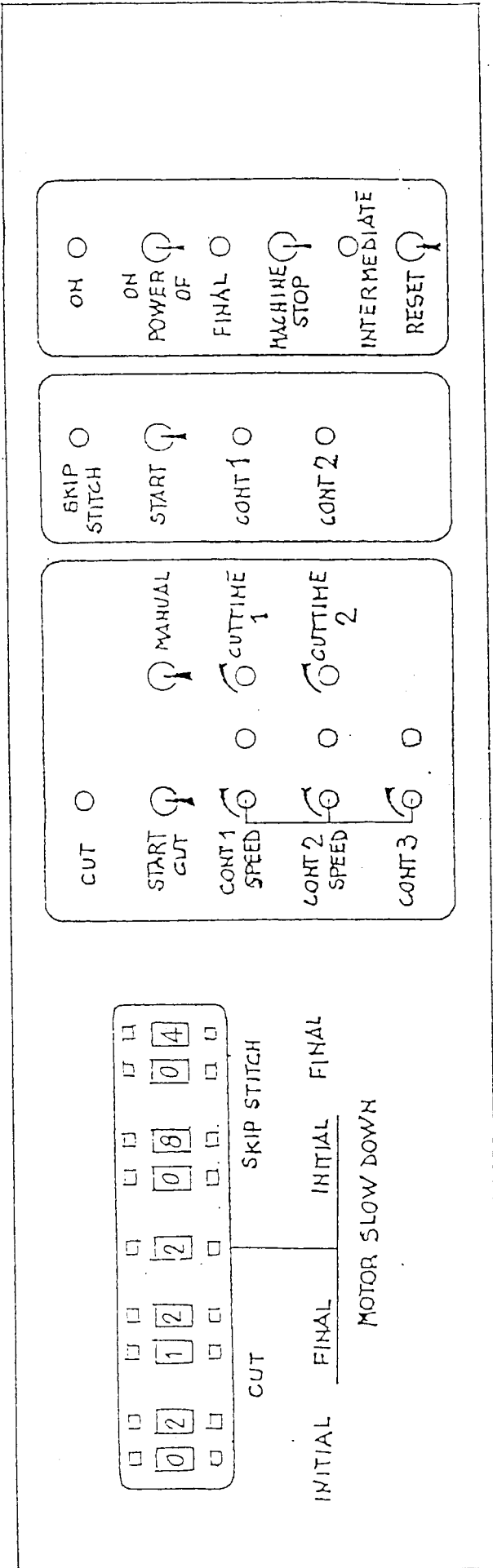
NON SEAMING NON SEAMING
 PHOT 1 END CUT

BELT.

Photocell N° 2
connected to K2

Photocell N° 3
connected to K3

Photocell N° 4
connected to K4

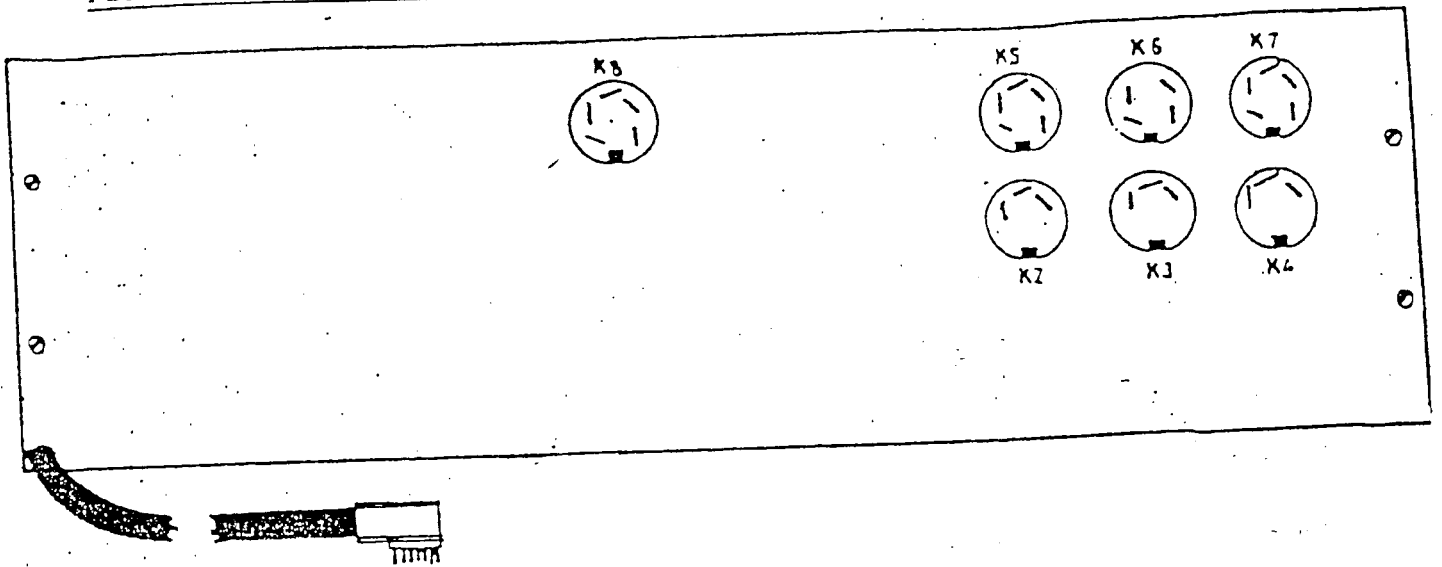


CUTTIME 1 (INITIAL) } Potentiometers for scissors closing time. (Time that the electrovalve remains excited)

CUTTIME 2 (FINAL) }

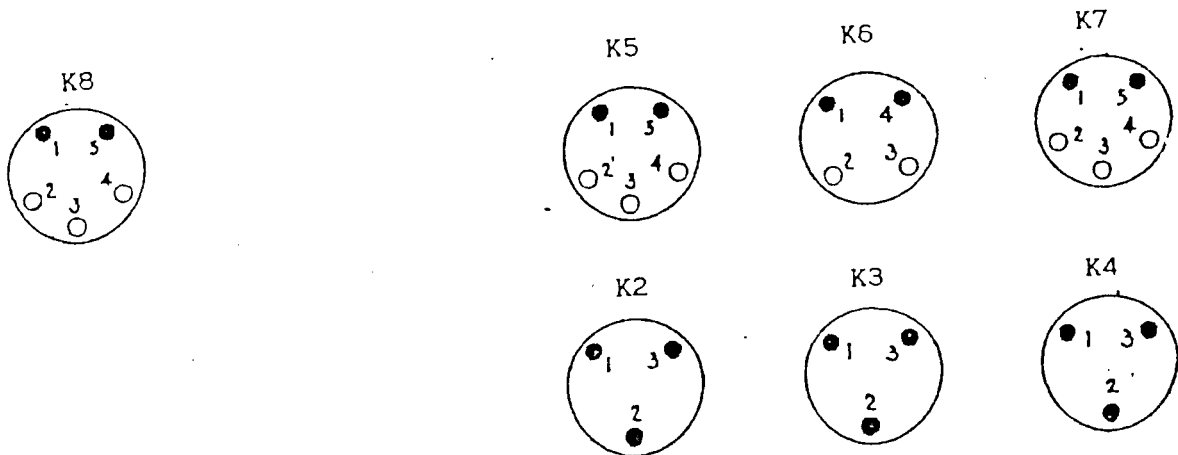
CONT 1 - CONT 2 - CONT 3 speed control as EFKA potentiometers into control box.

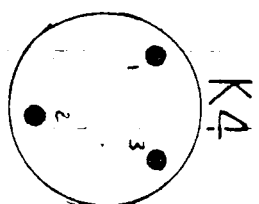
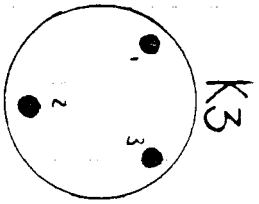
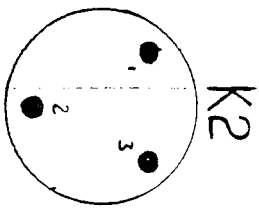
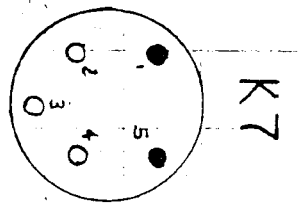
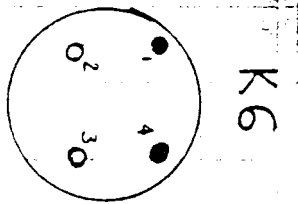
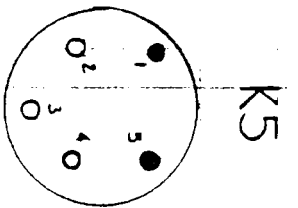
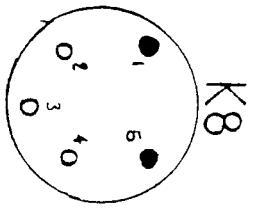
PLUGS POSITION ON CONTROL PANEL BACK SIDE



PLUGS CONNECTIONS TO BE FITTED ON CONTROL BOX REAR SIDE

- | | | |
|-------------------------------|--------------|---------------|
| K2 - Scissors photocell | } terminals: | 1 black/green |
| K3 - Slow-down photocell | | 2 white |
| K4 - Skip stitch photocell | | 3 red |
| K5 - Scissor electrovalve | terminals: | 1 - 5 |
| K6 - Safety microswitch | terminals: | 1 - 4 |
| K7 - Skip stitch electrovalve | terminals: | 1 - 5 |
| K8 - Auxiliary puller elec. | terminals: | 1 - 5 |





1 - NERO-VERDE
2 - BIANCO
3 - ROSSO

1 NERO-VERDE
2 BIANCO
3 ROSSO

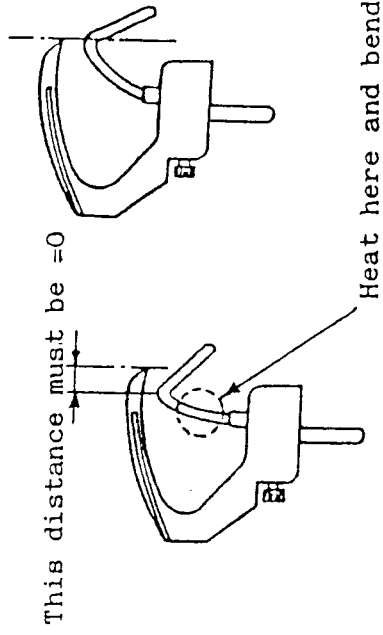
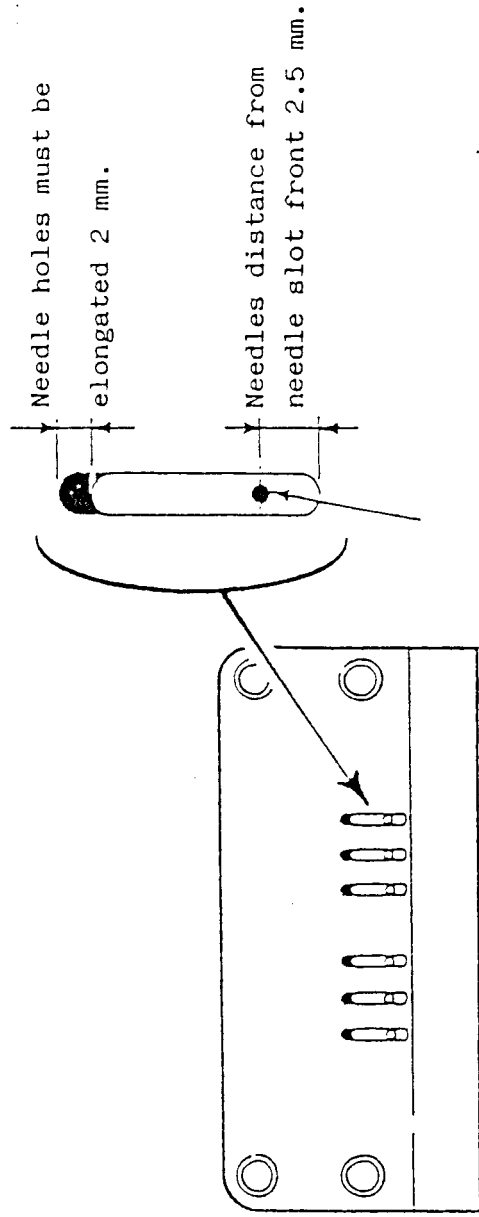
1 NERO-VERDE
2 BIANCO
3 ROSSO

COLLEGAMENTO

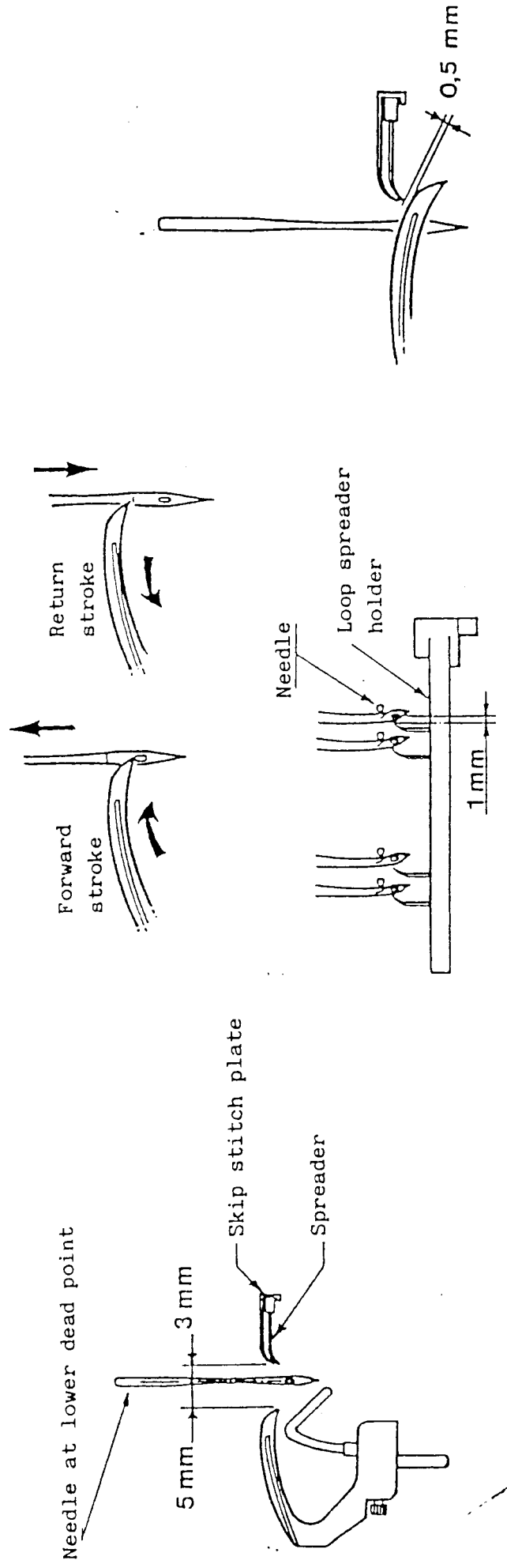
SPINE FOTOC. x 302 W406 con cesoia (TIPO NUOVO) e Puller

- | | | | | | |
|------------------|---------------|--------------|-----|----------------|----------|
| K2 - Fotocellula | Taglio | K5 - Colleg. | 1-5 | Elettrovalvola | Taglio |
| K3 - Fotocellula | Rallentamento | K6 - Colleg. | 1-4 | Micro Sicura | |
| K4 - Fotocellula | Scautara | K7 - Colleg. | 1-5 | Elettrovalvola | Scautara |
| | | K8 - Colleg. | 1-5 | Elettrovalvola | Puller |

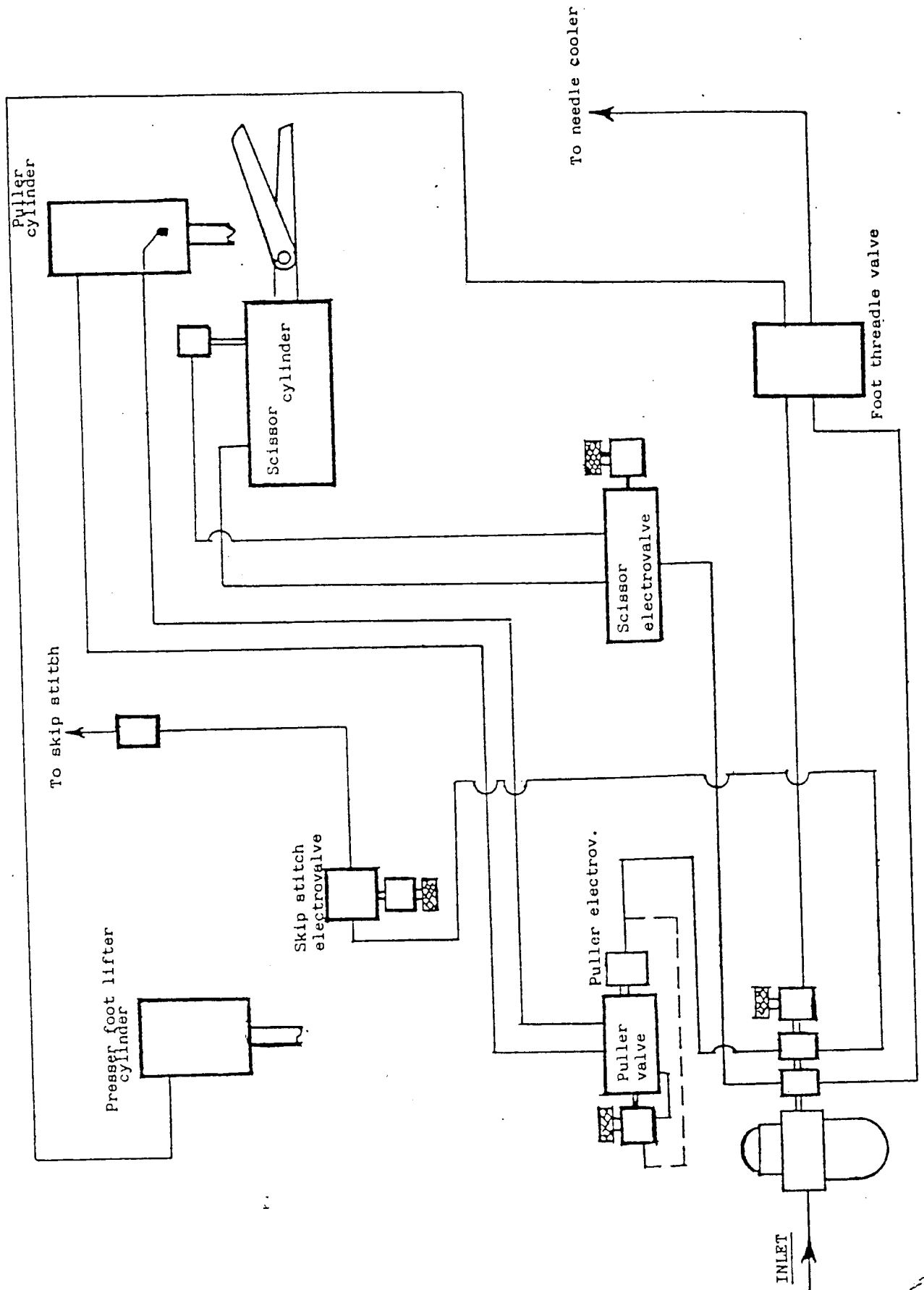
ALTERATIONS TO BE MADE TO THE NEEDLE PLATE AND THE NEEDLE GUARD



LOOPERS, NEEDLES AND LOOP SPREADERS SETTING

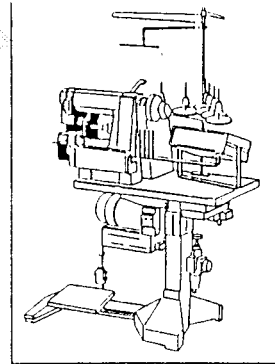


PNEUMATIC CIRCUITRY



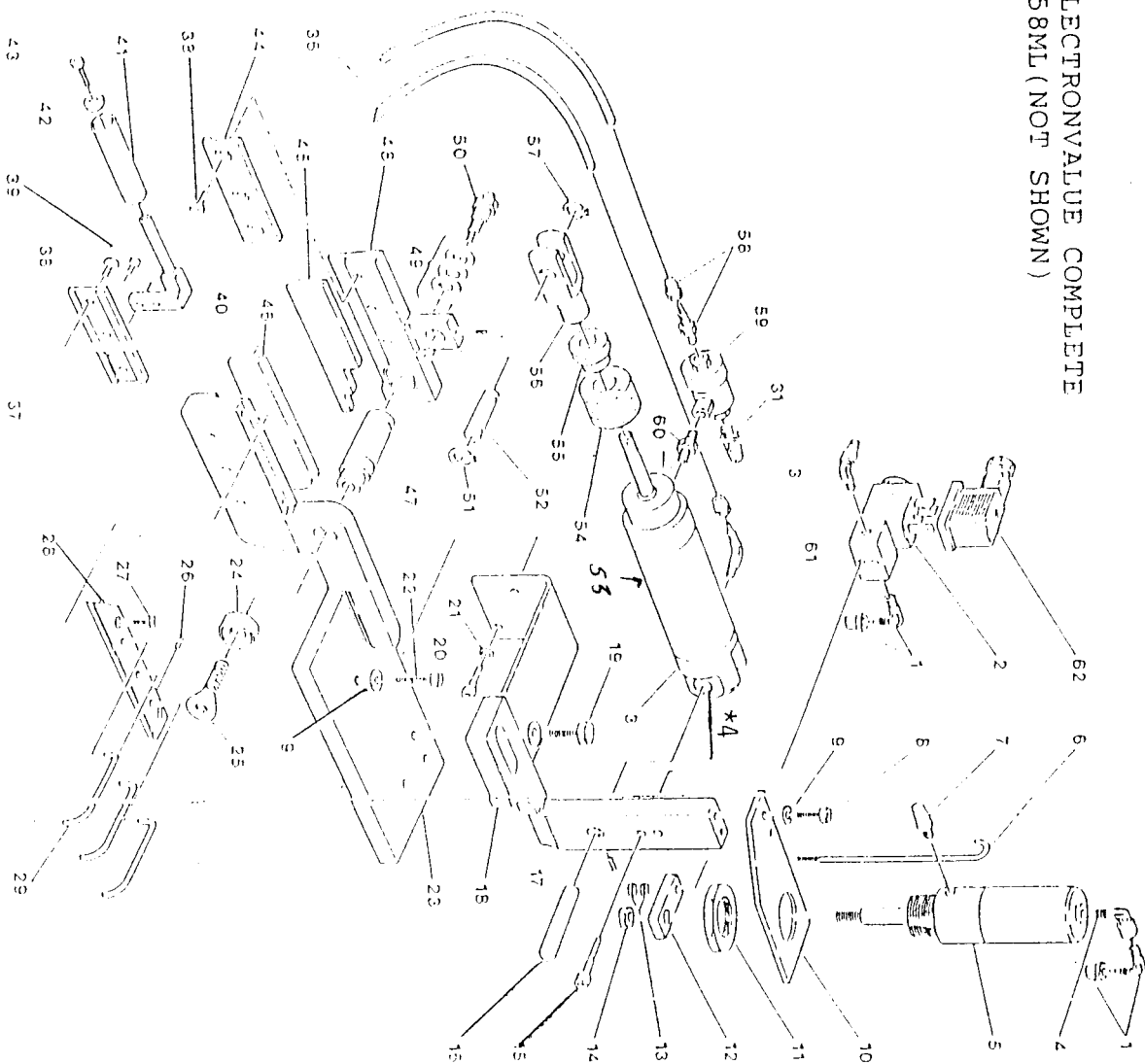
Cesoia e alzapiedino

Knife group and foot lifter



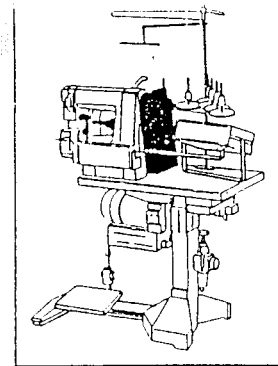
N. pos.	Codice	Denominazione	Description
1	C5 6/4-1/8	RACCORDO	ELBOW FITTING
2	3721221042	ELETTROVALVOLA	ELECTROVALVE
3	6500 4-1/8	RACCORDO	ELBOW
4	A10 1/8-1/8	RACCORDO	ELBOW
5	27/35	CILINDRO	CILYNDER <i>Foot Lifter</i>
6	038C302	TIRANTE ALZAPIEDINO	PRESSER FOOT LIFTER ROD
7	6510 4-1/8	SILENZIATORE	MUFFLER
8	M6x15	BRUGOLA	ALLEN SCREW
9	M6	RONDELLA	WASHER
10	037C302	STAFFA DI FISSAGGIO CILINDRO ALZAPIEDINO	FOOT LIFTER CILYNDER BRACKET
11	M28	DADO	NUT
12	038C302	GUIDA TIRANTE ALZAPIEDINO	FOOT LIFTER ROD GUIDE
13	M3	DADO	NUT
14	M8	DADO	NUT
15	M5x20	BRUGOLA	ALLEN SCREW
16	10x40	PERNO	PIN
17	M6-8	GRANO	GRUB SCREW
18	039C302	SUPPORTO PISTONE E PIEDINO	PRESSER FOOT LIFTER SUPPORT
19	M8x25	BULLONE	EXAGONAL BOLT
20	M5x10	BRUGOLA	ALLEN SCREW
21	M5	RONDELLA	WASHER
22	M6x20	BRUGOLA	ALLEN SCREW
23	040C302	PARTE INFERIORE CESCOIA	KNIVE BRACHET
24	041C302	RONDELLA SVASATA	COUNTERSUNK WASHER
25	042C302	VITE SVASATA	COUNTERSUNK SCREW
26	M3x5	GRANO	GRUB SCREW
27	M4x10	VITE SVASATA	COUNTERSUNK SCREW
28	043C302	SUPPORTO DITA RULLO	FINGER BRACKET
29	044C302	DITA RULLO	FINGER
30	C5 8/6-1/8	RACCORDO	ELBOW FITTING
31	SR8	SILENZIATORE	MUFFLER
32	UKCAB/UB	ELETTROVALVOLA COMPLETA	ELECTROVALVE CPL
33	TR64	TUBO	PIPE
34	045C302	MOLLA A TAZZA	SPRING WASHER
35	046C302	GHIERA PER ELETTROVALVOLA	NUT FOR ELECTROVALVE
36	TR86	TUBO	PIPE
37	047C302	PIASTRA FISSA COLTELLO INFERIORE	LOWER KNIFE SET PLATE
38	M6x8	VITE SVASATA	COUNTERSUNK SCREW
39	M4x10	BRUGOLA	ALLEN SCREW
40	048C302	SUPPORTO RULLO	ROLLER BRACKET
41	049C302	RULLO IN NYLON	ROLLER BRACKET
42	M4	RONDELLA Ø 4	WASHER
43	M4x6	BRUGOLA	ALLEN SCREW
44	086C302	PIASTRA FISSA COLTELLO SUPERIORE	UPPER KNIFE SET PLATE
45	050C302	COLTELLO SUPERIORE	UPPER KNIFE
46	051C302	COLTELO INFERIORE	LOWER KNIFE
47	052C302	PERNO SUPPORTO COLTELLO	KNIFE ROTATING BRACKET
48	053C302	PORTA COLTELLO SUPERIORE	UPPER KNIFE BRACKET
49	054C302	RONDELLA A TAZZA	SPRING WASHER
50	M6x40	VITE	SCREW
51	055C302	SEGHER	SEGHER RING
52	056C302	PERNO	SHAFT
53	40/40	CILINDRO	CYLINDER <i>knife</i>
54	057C302	PARACOLPI	SHOK ABSORBER
55	058C302	BUSSOLA	BUSHING
56	G10	FORCELLA	FORK
57	059C302	CONTROVITE	COUNTER SCREW
58	C1 8/6-1/8	RACCORDO	NIPLES FITTING
59	FD3/40	SCARICO RAPIDO	EXHAUST
60	A2 1/4-1/4	RACCORDO	NIPLES
61	C5 8/6-1/4	RACCORDO	ELBOW FITTING

KNIFE ELECTRONVALVE COMPLETE
P/N CEA58ML (NOT SHOWN)

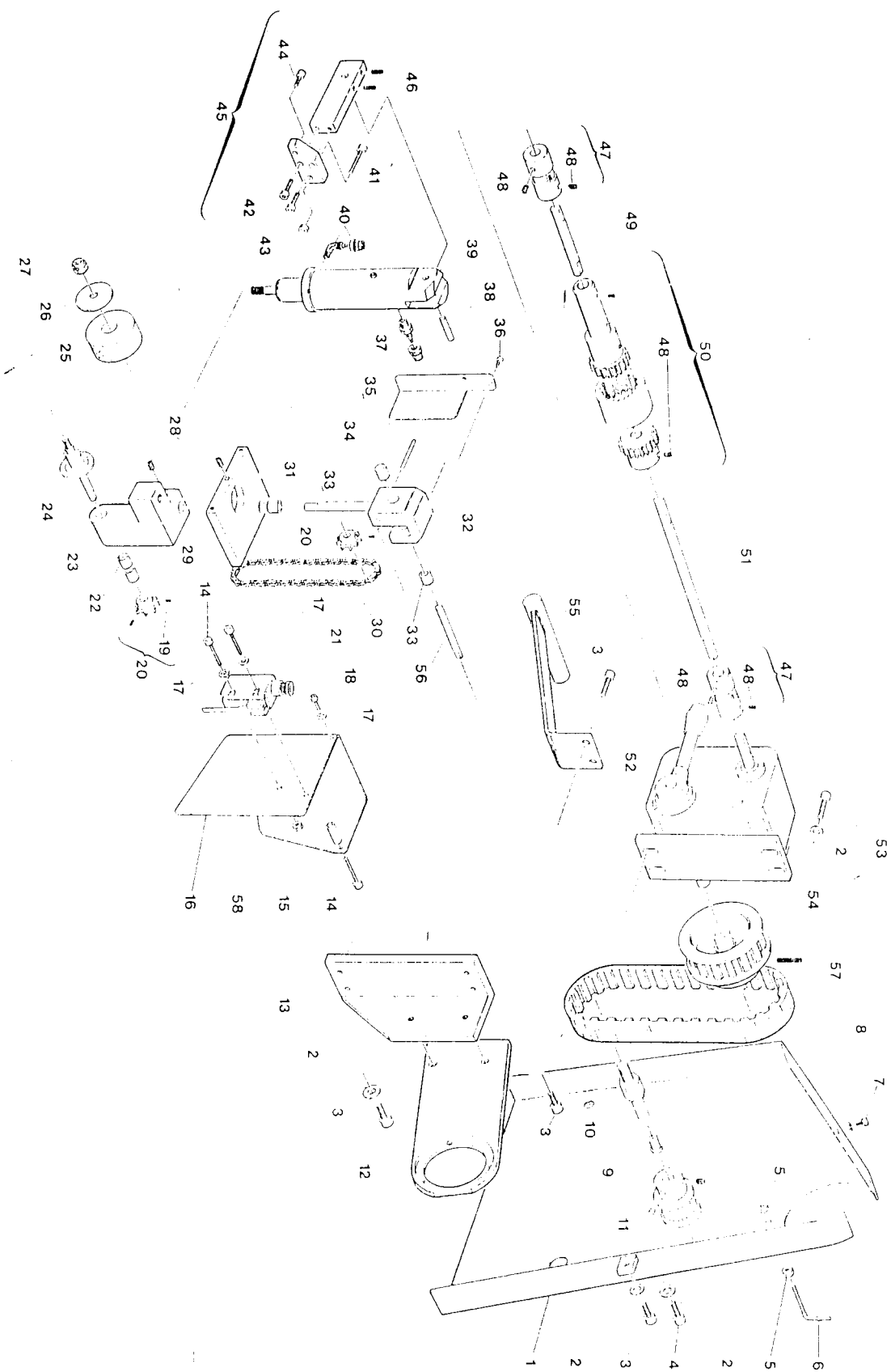


*4 BOC 10X14X10 CYL BRG (OILITE)

Puller
Puller



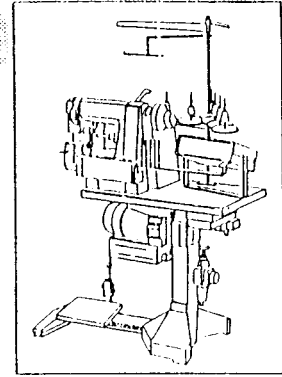
N. pos.	Codice	Denominazione	Description
1	012C302	CARTER	BELT COVER
2	081C302	RONDELLA	WASHER
3	M6x15	BRUGOLA	ALLEN SCREW
4	M6x24	BRUGOLA	ALLEN SCREW
5	M5	DADO	NUT
6	013C302	FERMA POSIZIONATORE	SINCRONYSER POS PIN
7	M4x6	BRUGOLA	ALLEN SCREW
8	210L050	CINGHIA DENTATA	TOOTHED BELT
9	OLIATORE6	OLIATORE	TECALEMIT
10	014C302	ALBERINO FILETTATO	PULLEY SHAFT
11	P6210	PULEGGIA DENTATA	TOOTHED PULLEY
12	015C302	STAFFA SUPPORTO VOLANTINO	EXTENSION BRACKET
13	016C302	STAFFA SUPPORTO ZEROMAX	ZEROMAX BRACKET
14	M4x25	BRUGOLA	ALLEN SCREW
15	017C302	BUSSOLA SPESSORE	SPACER
16	018C302	CARTER CESCOIA	UPPER PULLER AND KNIFE COVER
17	M4	RONDELLA	WASHER
18	M4x6	BRUGOLA	ALLEN SCREW
19	M4x4	GRANO	GRUB SCREW
20	217CG81	PIGNONE PER CATENA	SPROCKET
21	V9LR	MICRO DI SICUREZZA TAGLIO	SAFETY MICROSWITH
22	230CG81	CUSCINETTO	BUSHING
23	019C302	FORCELLA PORTARULLO TRASPORTATORE	PULLER ROLLER BRACKET
24	020C302	PORTARULLO	ROLLER SHAFT
25	01RUL.PUL.	RULLO IN GOMMA PER PULLER (NERO)	RUBBER ROLLER (BLACK)
	03RUL.PUL.	RULLO IN GOMMA PER PULLER (GIALLO)	RUBBER ROLLER (YELLOW)
26	021C302	RONDELLA	WASHER
27	M6	DADO	NUT
28	M6x5	GRANO	GRUB SCREW
29	022C302	SUPPORTO CILINDRO INFERIORE	CYLINDER BRACKET (LOWER)
30	023C302	CATENA	CHAIN
31	024C302	BUSSOLA	BUSHING
32	025C302	SUPPORTO ALBERO INGRANAGGIO MOBILE	PULLER ROLLER MOVABLE BRACKET
33	026C302	CUSCINETTO	BUSHING
34	027C302	PERNO	PIN
35	028C302	CARTER COPRICALFENA	CHAIN COVER
36	M3x5	BRUGOLA	ALLEN SCREW
37	UREDS/8	RACCORDO	NIPLES FITTING
38	029C302	PERNO	PIN
39	25/25	CILINDRO	CYLINDER
40	URELS/M6	RACCORDO	ELBOW FITTING
41	M6x25	BRUGOLA	ALLEN SCREW
42	M5x20	BRUGOLA	ALLEN SCREW
43	M6	DADO	NUT
44	030C302	SUPPORTO CILINDRO	CYLINDER BRACKET (UPPER)
45	030C302	SUPPORTO CILINDRO	CYLINDER BRACKET (UPPER)
46	M6x25	GRANO	GRUB SCREW
47	209UG80	GIUNTO CARDANICO D 8	UNIVERSAL JOINT
48	M6x5	GRANO	GRUB SCREW
49	031C302	ALBERINO	ROD (SHORT)
50	032C302	GIUNTO COMPENSATORE	COMPENSATING JOINT
51	033C302	BARRA	ROD (LONG)
52	E2	ZEROMAX COMPLETO	ZEROMAX CPL
53	M6x20	BRUGOLA	ALLEN SCREW
54	MOP20	PULEGGIA DENTATA	TOOTHED PULLEY
55	034C302	STAFFA CARTER	BELT COVER BRACKET
56	035C302	ALBERINO	SHAFT
57	M6x15	GRANO A BRUGOLA	SCREW
58	M4	DADO	NUT
59	209CG80	GIUNTO CARDANICO D 8	UNIVERSAL JOINT



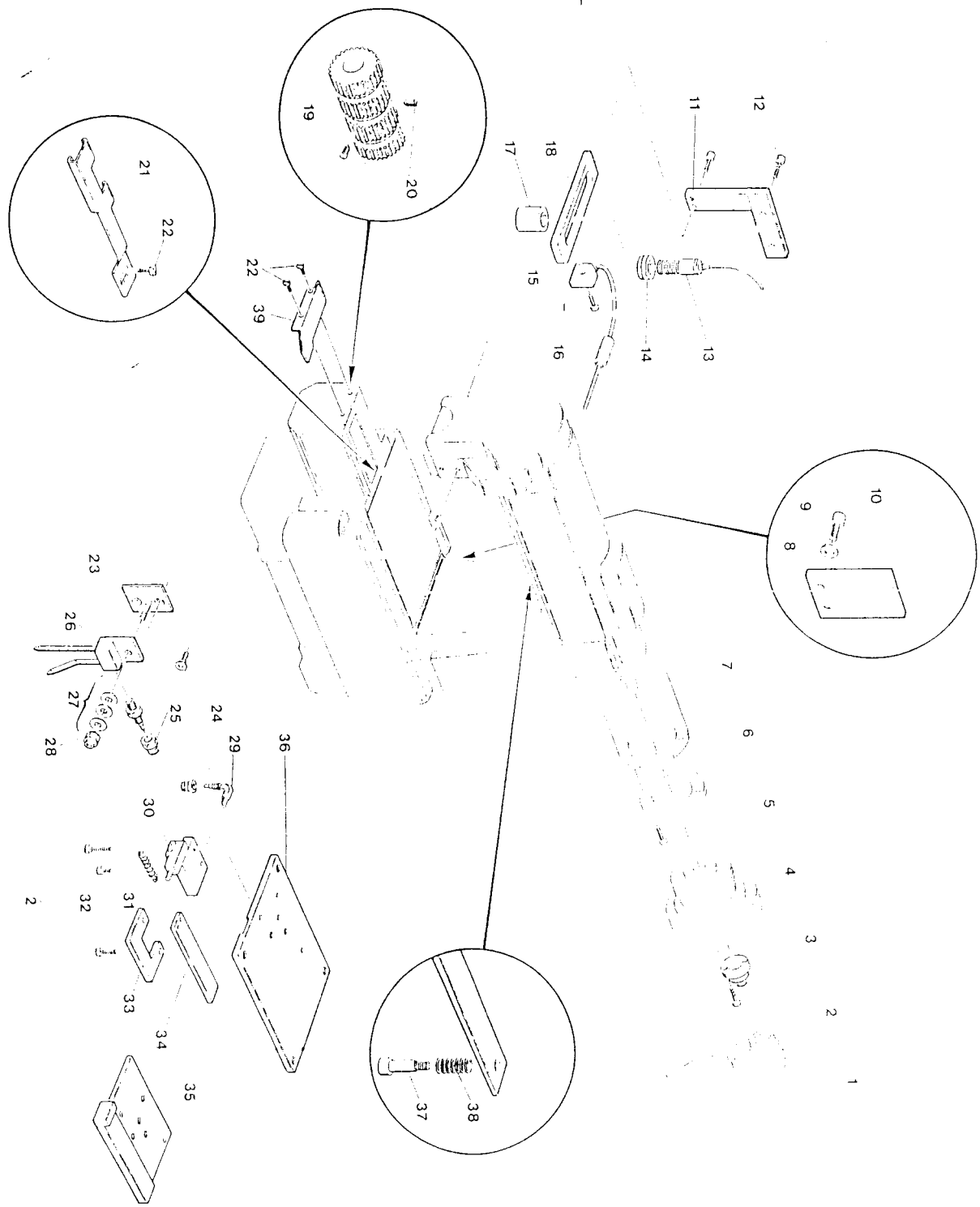
TAV.3

Scuciture, fotocellule e soffiatore

Non-seaming device, scanner e blower

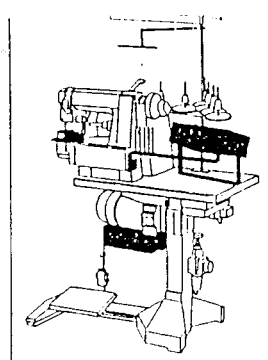


N. pos.	Codice	Denominazione	Description
1	PA1 EFK PS-2	POSIZIONATORE	SYNCRONISER
2	M4x10	BRUGOLA	ALLEN SCREW
3	060C302	ATTACCO PER POSIZIONATORE	HUB
4	1741515J	VOLANTINO	HAND WHEEL
5	1754433G	VITE	SCREW
6	17268004	GHIERA FISSA STAFFA ZEROMAX	RING FOR ZEROMAX BRACKET EXTENSION
7	061C302	STAFFA FISSA ZEROMAX	ZEROMAX BRACKET EXTENSION
8	062C302	PIASTRA IN CASSPIRELA	PLATE
9	M6	RONDELLA	WASHER
10	M6x15	BRUGOLA	ALLEN SCREW
11	063C302	STAFFA PORTA FOTOCELLULA SUPERIORE	UPPER SCANNER SUPPORT
12	M5x8	BRUGOLA	ALLEN SCREW
13	NPNSC	FOTOCELLULA	SCANNER
14	3464	DADO IN PLASTICA	PLASTIC NUT
15	RI 01	FOTOCELLULA	REFLECTING SCANNER
16	M3x14	BRUGOLA SVASATA	COUNTERSUNK ALLEN SCREW
17	064C302	DADO IN FERRO	NUT FOR SCANNER
18	065C302	GHIERA FISSA FOTOCELLULA INFERIORE	LOWER SCANNER SUPPORT
19	066C302	RUOTO TRASCINAMENTO PULLER INFERIORE	LOWER PULLER ROLLER
20	M6x6	GRANDE BRUGOLA	GRUB SCREW
21	067C302	LAMIERINO SCUCITURA A 1, 2, 3 O 4 SCUCITURE (Quando si ordina il particolare n. 067C302, si prega di specificare il gabbo della macchina e la posizione degli aghi che desiderate scucire (1, 2, 3 o 4))	SKIP STITCH PLATE FOR 1, 2, 3 OR 4 NEEDLES (When ordering part n. 067C302 state machine gauge and skip stitch needle position (1, 2, 3 or 4))
22	MJ-5	VITE	SCREW
23	068C302	SUPPORTO SOFFIATORE	BLOWER BRACKET
24	M5x8	BRUGOLA SVASATA	COUNTERSUNK ALLEN SCREW
25	UHED 5/8	RACCORDO	NIPLES FITTING
26	069C302	SOFFIATORE AGLII	NEEDLES BLOWER
27	070C302	RONDELLA A LAZZA	SPRING WASHER
28	M6	DADO AUTOBLOCCANTE	SELF LOCKING NUT
29	UREL 4/M5	RACCORDO	ELBOW FITTING
30	071C302	PISTONCINO SCUCITURA	SKIP STITCH PISTON
31	072C302	MOLLA INTORNO PISTONE	SPRING
32	M4x6	BRUGOLA	ALLEN SCREW
33	073C302	PIASTRA DI FISSAGGIO	SKIP STITCH PLATE STOP
34	074C302	SLIDITA	SLIDE
35	075C302	MASCHERA DI FORATURA	DRILLING PLATE
36	076C302	PIASTRA MACCHINA FORATA	M/C COVER PLATE (DRILLED)
37	M5x10	VITE CON BUSSOLA	SCREW WITH BUSHING
38	077C302	MOLLA COMPENSATRICE PEDINO	SPRING
39	087C302	LAMA RIFRANGENTE FOTOCELLULA	SCANNER REFLECTING PLATE

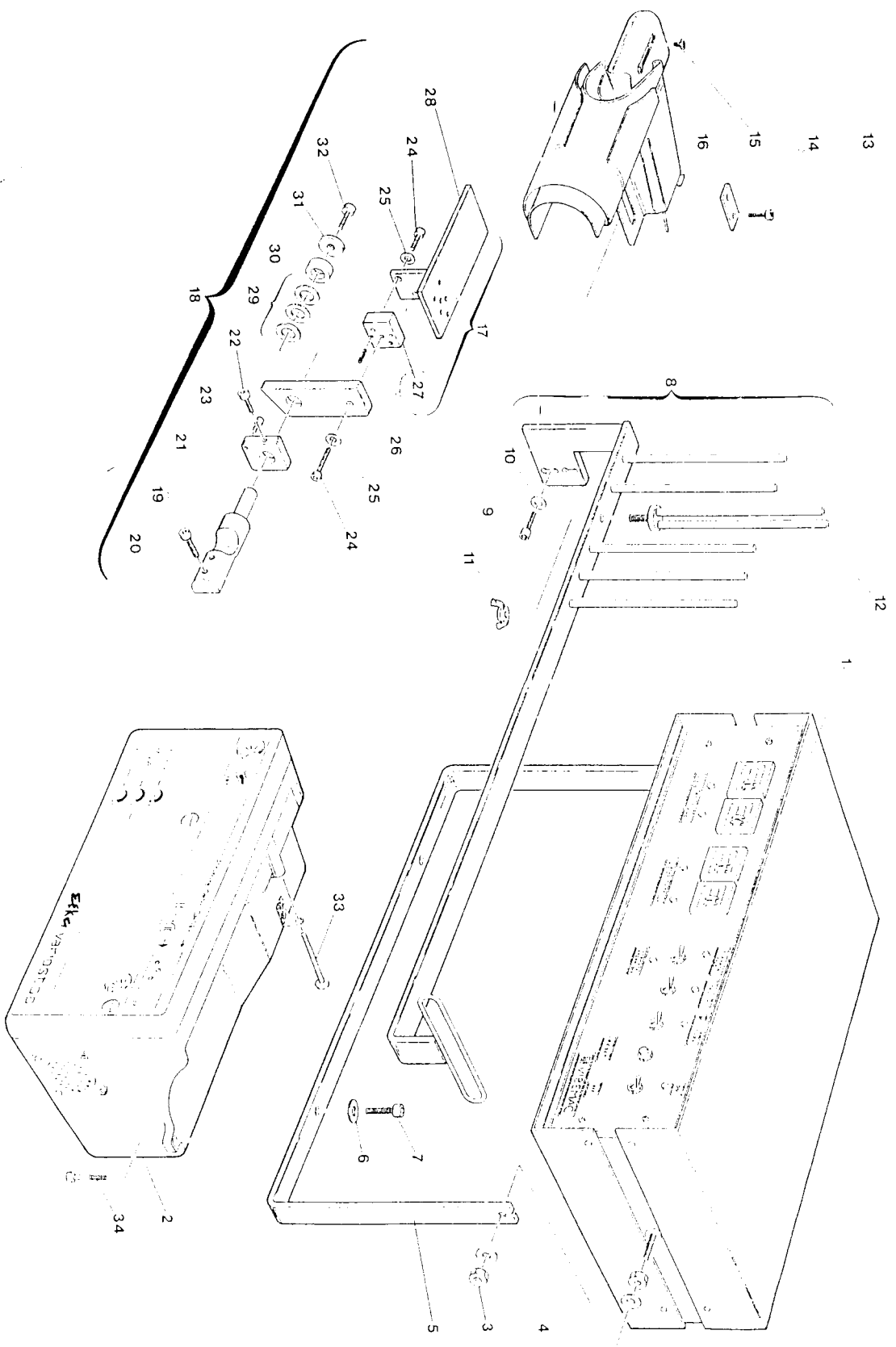


Centraline e bordatori

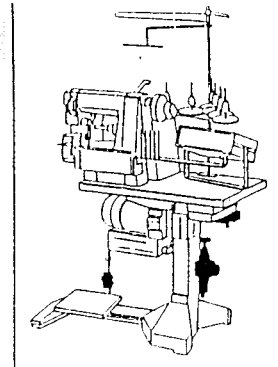
Electronic controlles and binders



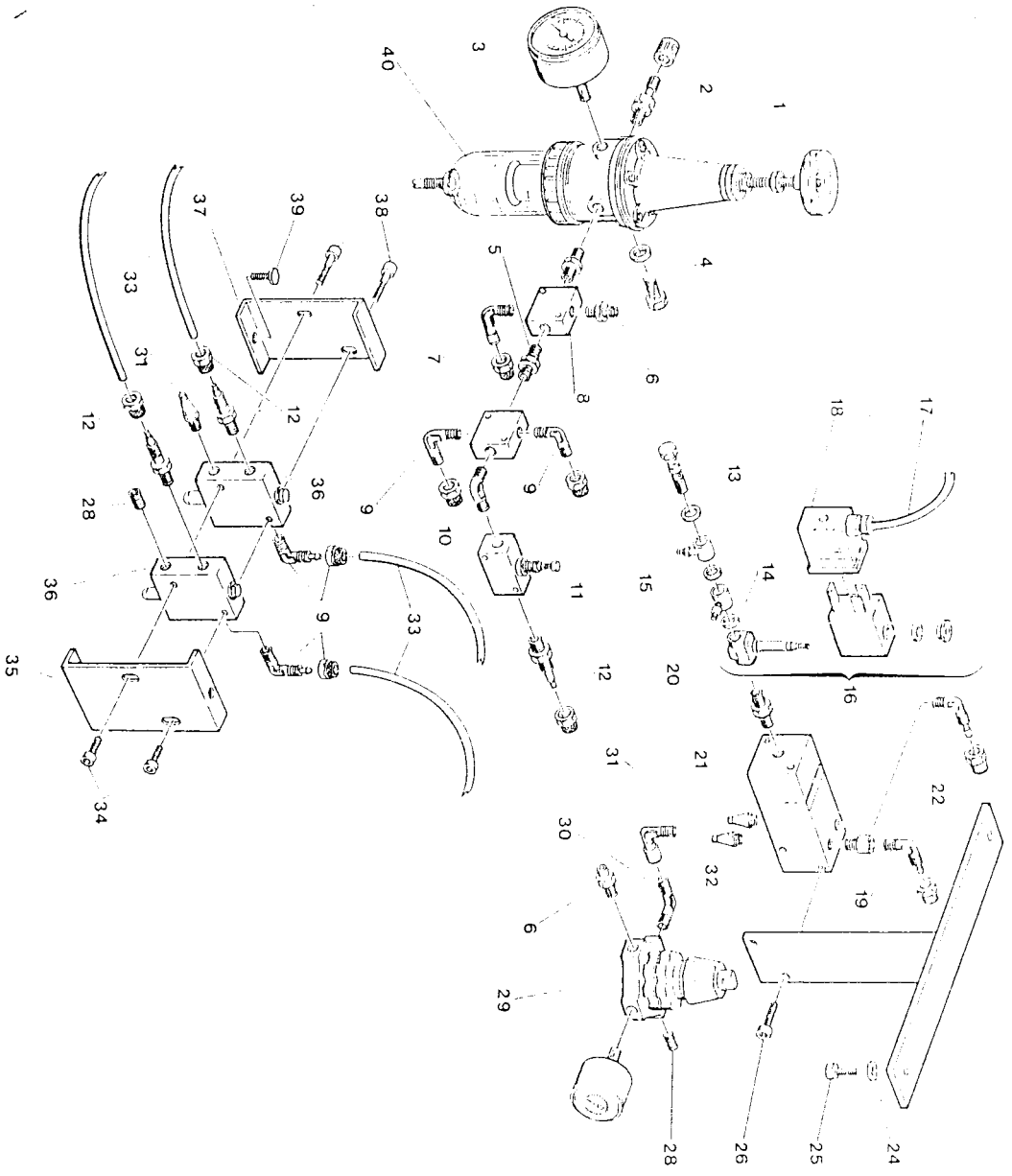
N. pos.	Codice	Denominazione	Description
1	LR01	CASSETTA CONTROLLI FUNZIONI MACCHINA	ELECTRONIC CONSOLE
2	8B30Y1	SCATOLA CONTROLLO MOTORE EFKA	MOTOR CONTROL BOX
3	M6x6	DADO	NUT
4	081C302	RONDELLA Ø 6	WASHER
5	001C302	STAFFA PORTA CENTRALINA	CONSOLE SUPPORT
6	084C302	RONDELLA Ø 5	WASHER
7	6AUT.HL.	VITE DI FISSAGGIO STAFFA	SETTING SCREW
8	005VBM	PASSANASTRO	BAND GUIDE
9	M6x15	BRUGOLA	ALLEN SCREW
10	081C302	RONDELLA Ø 6	WASHER
11	M6	GALLETTO	WING NUT
12	002C302	TENDI FASCIA	BAND TENSION
13	M5x15	BRUGOLA	ALLEN SCREW
14	003C302	CONTRO PIASTRA DI POSIZIONAMENTO	SETTING PLATE
15	M4	VITE FISSA BORDATORE	SCREW
16	001VBM	BORDATORE AD ANGOLO STANDARD (Quando si ordina il particolare 001VBM indicare il calibro della macchina e indicare la lettera (L, M, H, o HS) Per bordatori speciali ordinare con descrizione oppure usare le tabelle allegate)	ELBOW BINDER STANDARD (When ordering state gauge and thichoes suffix (L, M, H o HS) for special binder order by description or use enclosed drawing)
17	007VBM	AFFIACCO BORDATORE	BINDER BRACKET
18	006VBM	PORTABORDATORE COMPLETO	BINDER SUPPORT CPL
19	004C302	SUPPORTO PER PORTABORDATORE	BINDER BRACKET SUPPORT
20	M5x20	BRUGOLA	ALLEN SCREW
21	005C302	FERMO PER STAFFA	BRACKET STOP
22	M6x10	BRUGOLA	ALLEN SCREW
23	M4x15	BRUGOLA	ALLEN SCREW
24	M6x20	BRUGOLA	ALLEN SCREW
25	081C302	RONDELLA Ø 6	WASHER
26	006C302	STAFFA	SWING BRACKET
27	007C302	QUADRETTO PER PARTE SMONTABILE	SPACER
28	008C302	SQUADRA SMONTABILE PORTABORDATORE	BINDER BRACKET SWINGING PLATE
29	009C302	RONDELLA A TAZZA	SPRING WASHER
30	010C302	SPESSORE	SPACER
31	011C302	RONDELLA	WASHER
32	M6x30	BRUGOLA	ALLEN SCREW
33	13 691	VITE FISSAGGIO CASSETTA	CONTROL BOX SETTING SCREW
34	M5x20	VITE FISSAGGIO CASSETTA SUL MOTORE	MOTOR CONTROL BOX SETTING SCREW



Impianto pneumatico
Pneumatics controll



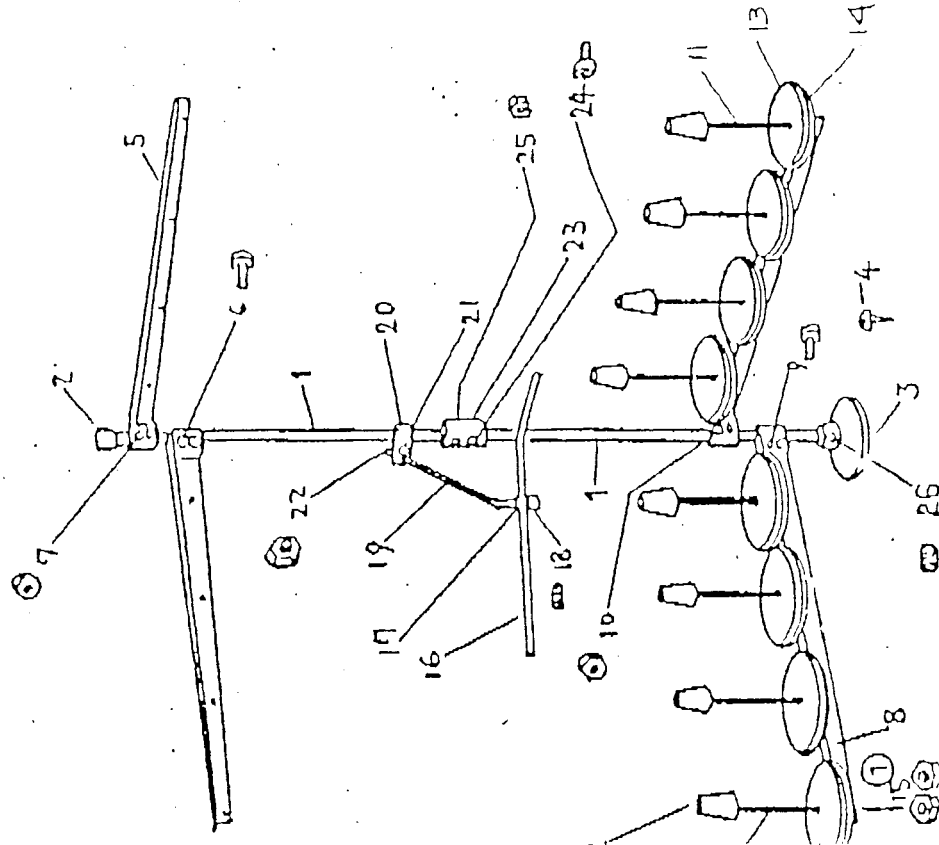
N pos.	Codice	Denominazione	Description
1	FRR48	RIDOTTORE DI PRESSIONE	PRESSURE CONTROL
2	110 1/4	ATTACCO ARIA	AIR INLET
3	MM0/12	MANOMETRO Ø 12	MANOMETRE
4	TT8 1/4	TAPPO	NUT
5	A2 1/8-1/4	NIPLES	NIPLES
6	6510 4 1/8	RACCORDO DRIFTO	NIPLES
7	C5 8/6-1/8	RACCORDO	ELBOW FITTING
8	RX8	RIPARTITORE	4 WAY CONNECTION
9	C5 6/4-1/8	RACCORDO	ELBOW FITTING
10	A15 1/8	RACCORDO	ELBOW
11	RFU482	REGOLATORE DI PORTATA	FLOW CONTROL
12	C1 6/4-1/8	RACCORDO DRIFTO	NIPLES FITTING
13	FURPC2/8	CONNETTORE RACCORDI	CONNETING NUT
14	087C302	GUARNIZIONE	GASKET
15	UROL4/8	ATTACCO PER TUBO	PIPE CONNECTION
16	C131N14	ELETTROVALVOLA	ELECTROVALVE
17	082C302	CAVO	WIRE
18	083C302	CONNETTORE	CONNETING
19	UREL5/8	RACCORDO A CURVA	ELBOW FITTING
20	A2 1/8-1/8	NIPLES	NIPLES
21	UKCAB/8	CILINDRO VALVOLA	AIR VALVE
22	A5 1/8-1/8	PROLUNGA PICCOLA	CONNECTION
23	078C302	STAFFA PORTA KIT ELETTROVALVOLA	ELECTROVALVE BRACKET
24	081C302	RONDELLA	WASHER
25	M6x25	VITE A BRUGOLA	ALLEN SCREW
26	M4x45	VITE A BRUGOLA	ALLEN SCREW
27	MM0/4	MANOMETRO	MANOMETRE
28	TT8 1/8	TAPPO	NUT
29	UZRRH8/7	RIDOTTORE DI PRESSIONE	PRESSURE CONTROL
30	A15 1/8	RACCORDO	ELBOW
31	SR8	SILENZIATORE 1/8 A RETE	MUFFLER
32	A10 1/8-1/8	RACCORDO	ELBOW
33	TR64	TUBO RILSAN BIANCO	WHITE RILSAN PIPE
34	M5x10	VITE A BRUGOLA	ALLEN SCREW
35	079C302	SQUADRETTA PER VALVOLA	VALVE BRACKET
36	CS8	VALVOLA	AIR VALVE
37	080C302	SQUADRETTA PER VALVOLA	VALVE BRACKET
38	M5x30	VITE A BRUGOLA	ALLEN SCREW
39	M6x15	VITE ESAGONALE	CONNECTIN ROD SCREW
40	FRN48	BICCHIERE PER RIDOTTORE	CONDENSER GLASS



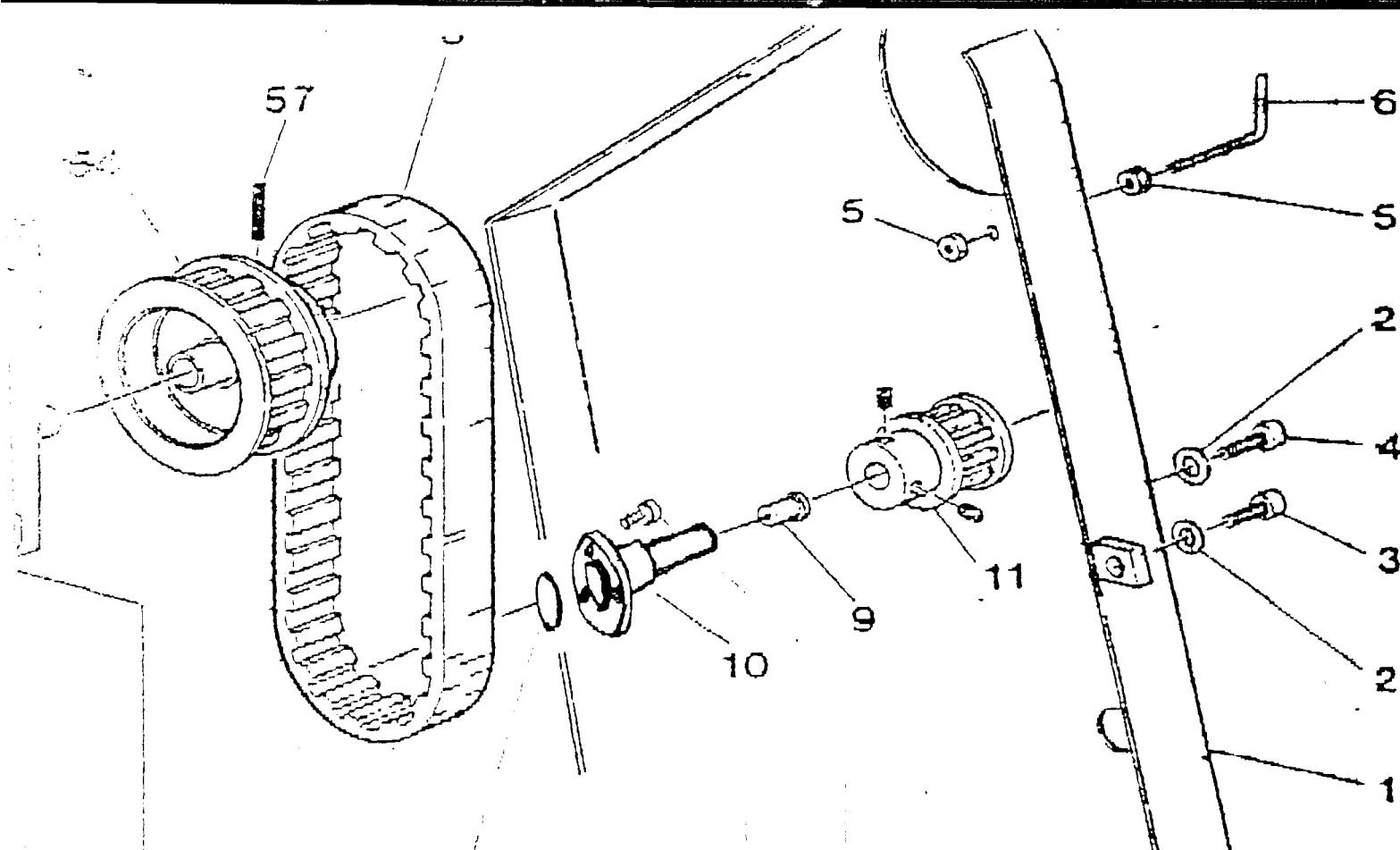
DFCS 構成部品

No.	名称	SNC P/N	量数
1	支柱	415475	2
2	キック	415475	1
3	支柱台(塗装)	415477	1
4	支柱台ネジ	374288	3
5	系掛線(塗装)	415478	2
6	系掛線ネジ	374289	4
7	系掛線ネジナット	374290	4
8	系立線(塗装)	415479	2
9	系立線ネジ	374291	4
10	系立線ネジナット	374292	4
11	系立線	415480	8
12	系立線ネジ	415481	8
13	系立線クワシ	415482	8
14	系立線皿	415483	8
15	系立線ナット	374293	16
16	系立線内棒	415484	1
17	系立線棒抱き	415485	1
18	系立線棒抱きネジ	374294	2
19	系立線棒支持棒	415486	1
20	系立線内棒ネジ	415487	1
21	系立線内棒ネジネジ	374295	1
22	系立線内棒ネジナット	374296	1
23	支柱線手	415488	1
24	支柱線手ネジ	374297	2
25	支柱線手ネジナット	374298	2
26	支柱止	374299	2

415444



PEC.
SPECIFIED
COPIES BROKEN
113-0.25
ANGLES =



ORING
 OR 2050
 PRICE : I.L. 800

NO 3 SCREWS
 P/N M4x10
 PRICE : I.L. 700

NEW P/N 130C302
 THE P/N 9 IS INCLUDED
 PRICE : I.L. 19,300