

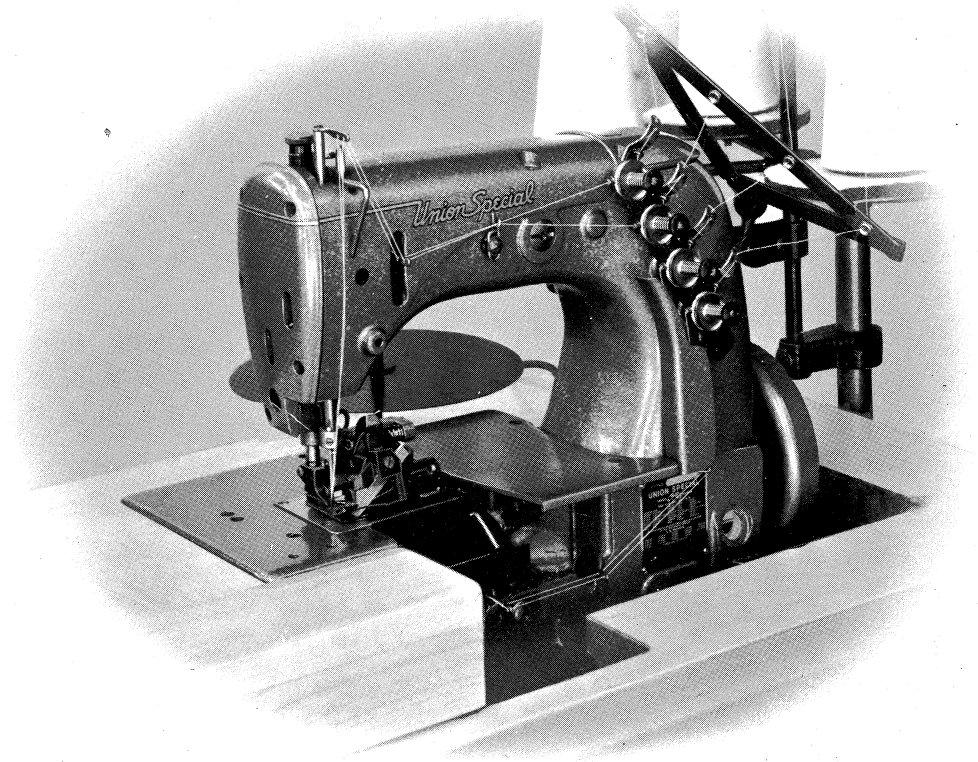
FINEST QUALITY

*Union Special*<sup>®</sup>  
LEWIS<sup>®</sup> • COLUMBIA<sup>®</sup>

INDUSTRIAL  
SEWING  
MACHINES

STYLE

51400 BJ



LIST OF PARTS

FOR

STYLE 51400 BJ

CATALOG

T107 L

Second  
Edition

**UNION SPECIAL CORPORATION**

**CHICAGO**

Catalog No. T107 L

LIST OF PARTS

Style

51400 BJ

Second Edition

Copyright 1957

By

Union Special Corporation  
Rights Reserved in All Countries

**UNION SPECIAL CORPORATION**

INDUSTRIAL SEWING MACHINES

**CHICAGO**

Printed in U.S.A.

May, 1980

## IDENTIFICATION OF MACHINE

Each UNION SPECIAL machine carries a Style number which is stamped in the name plate on the machine. Style numbers are classified as standard and special. Standard Style numbers have one or more letters suffixed, but never contain the letter "Z". Example: "Style 51400 BJ". Special Style numbers contain the letter "Z". When only minor changes are made in a standard machine, a "Z" is suffixed to the standard Style number. Example: "51400 BJZ".

## APPLICATION OF CATALOG

This catalog applies specifically to the standard styles of machines as listed herein.

It can also be applied with discretion to some special machines in Class 51400. All reference to direction, such as left and right, front and back, etc., are taken from the operator's position while seated at the machine. Operating direction of handwheel is toward the operator.

## DESCRIPTION OF MACHINE

51400 BJ Streamlined Flat Bed, Two Needle, Two Loopers, Upper and Under Feed, Trimmer, With Front Disposal of Trimmings, Light Weight Presser Bar and Needle Bar, Light Weight Needle Bar Driving Mechanism, Automatically Lubricated. For Seaming and Binding Dresses, Aprons; Also Seaming Trousers Pockets by "Nu-Pocket" Method. Seam Type BSc-2, Stitch Type 401. Standard Gauge No. 10.

## NEEDLES

Each UNION SPECIAL needle has both a type number and a size number. The type number denotes the kind of shank, point, length, groove, finish and other details. The size number, stamped on the needle shank, denotes largest diameter of blade measured in thousandths of an inch across the eye. Collectively, type number and size number represent the complete symbol.

Standard needle for Style 51400 BJ is Type 108 GKS. It is a round shank, round point, extra short, double groove, struck groove, oversize ball eye, spotted, chromium plated, and is available in sizes 080/032, 090/036, 100/040. Unless otherwise specified, the machine will be equipped with size 090/036.

To have needle orders promptly and accurately filled, the empty package, a sample needle, or type and size number should be given. Use description on label. A complete order would read: "1000 Needles, Type 108 GKS, Size 090/036".

Selection of proper needle size should be determined by size of thread used. Thread should pass freely through needle eye in order to produce a good stitch formation.

Success in the operation of this machine can be secured only with the genuine UNION SPECIAL needles. Genuine needles are packaged with labels marked *Union Special*. This is your guarantee of needles of the highest quality in materials and workmanship.

## OILING

The oil has been drained from the machine before shipping, and the reservoir must be filled before beginning to operate. Use a straight mineral oil with a Saybolt viscosity of 90 to 125 seconds at 100° Fahrenheit.

Oil is filled at the spring cap in the top cover, and the level is checked at the sight gauge on the front of the machine. The oil level should be maintained between the red lines on the gauge. The capacity of the oil reservoir is twelve ounces.

The machine is automatically lubricated, and no oiling other than keeping the main reservoir filled is necessary.

A daily check before the morning start should be made, and oil added if required. Excessive oil in the main reservoir may be drained at the plug screw in main frame, directly under the handwheel.

The following is a numerical list of the parts used in this machine. Quantities, part numbers, and descriptions are given. Following the parts list are photographs of some of the major parts.

Amt.	Part No.	Description	Amt.	Part No.	Description	Amt.	Part No.	Description
1	8	Feed Rocker Shaft	1	660-625	Oil Seal Ring for 56350 D (22586 R)	1	22570 B	Screw for 51278 D
3	18	Nut for 57840, 55241 N, 55244 G	2	666-65	Oil Wick for 51244 K	15	22571 A	Plug Screw for bed
2	20	Washer for 539, 51236 G	2	666-111	Oil Wick for 8	1	22571 B	Plug Screw for bed
1	27-435	Needle Bar Eyelet	2	666-114	Oil Wick for right main shaft	1	22580 D	Set Screw for 51223 A
2	50-216	Blk. Washer	2	666-118	Oil Wick for left main shaft	2	22585 A	Screw for 51282 AF
1	50-294	Blk. Pin for 51493 AH	1	666-121	Oil Felt for 51493 E	1	22585 B	Screw for 51425 E
1	50-648	Blk. Lucite Oil Gauge	1	666-123	Felt for 51193 X	1	22586 R	Screw for 660-625
1	50 J-16	Stop Pin for 51417 C	1	666-138	Felt (90)	1	22588 A	Screw for 52350 A
2	73	Screw for looper	1	666-149	Felt for 51054	1	22596	Screw for 21657 Y
1	77	Screw for 52336 A	1	666-170	Felt Wick for 51134 V	1	22711	Screw for 52372 A
3	77	Screw for 51236 A	2	666-179	Wedge Pin for 666-111	2	22729	Screw for 51243 C, 51472 B
2	77	Screw for 51054, 51204 C	1	666-201	Felt Plug for 51294 U	1	22729 A	Screw for 51294 U
3	80	Screw for 51401 R	1	666-208	Felt for 51294 W	1	22729 B	Screw for 51294 U
1	81	Screw for 51242 Y (12982)	1	666-209	Felt Plug for 51294 U	2	22729 C	Screw for 55241 N
1	82	Screw for 51236 G	1	666-214	Felt for 51294 M	2	22730	Screw for 51278
2	87	Screw for 51424 S-10	2	667 B-10	Dowel Pin for 51273 A	1	22733 B	Plug Screw for 52882 L (41394 A)
2	J87 J	Screw for 51204 C	2	668-25	Steel Eyelet for 51292 D	1	22758 C	Screw for 53783 A
2	87 U	Screw for 23322 AG	2	668-28	Locking Ring for 51292 D	1	22760 A	Screw for 13430 D
2	88	Screw for 15465 F	2	719	Screw for 29348 AF, 56350 D	3	22768	Screw for 51244 B, 56458, 56458 A
2	88	Screw for 14649	1	1740	Stop Pin for 51420 S	2	22768	Screw for 51236 B
1	88	Screw for 52894 AK	2	6042 A	Washer for 51135 P	2	22798	Screw for 51472 A
2	88 B	Screw for 51134 S	1	6042 A	Washer for 52894 AM	1	22798 A	Screw for 51204 A
2	88 B	Screw for 51418 F	1	7947	Nut for 51294 R	1	22799 F	Screw for 51420 S
1	89	Spot Screw for 51418 F	1	12538	Nut for 51241 K	1	22801	Pivot Screw for 51425 E
1	90	Screw for 23439 A	1	12957 E	Spring Washer for 23437 E	*2	22811 B	Screw for 51242 W
2	90	Screw for 52882 AD	1	12982	Lock Nut for 81	2	22829	Screw for 51745 (258 A)
1	90	Screw for 666-138	1	13430 B	Shank for 51420 S (91)	1	22834	Adjusting Screw for needle guard
2	90	Screw for 56382 AC	1	13430 D	Spring for 51420 S (2760 A)	1	22839	Screw for 52980 A
3	90	Screw for 52894 AB	3	14649	Collar for 8 (88)	2	22839 C	Screw for 51401 R
2	90	Screw for 23437 K	1	15465 F	Diff. Rocker Cone for 29192 D (88)	1	22848	Screw for 539 (20)
1	91	Screw for 13430 B	2	21212	Oil Siphon Conn. Locking Ring	9	22848	Screw for 52882 L
2	93	Screw for BB21375 AH	1	21212	Oil Siphon Conn. Locking Ring	1	22852 A	Screw for 52934 D (51216 N)
1	93 A	Screw for 51426 S	1	BB21375 AH	Belt Guard (93)	1	22852 A	Screw for 51242 Y (51242 M)
1	95	Screw for 51270 B	1	21657 E	Washer for 51257 T	1	22863	Tilting Screw for 52934
1	95	Plug Screw	1	21657 W	Tension Release Lever Shaft	1	22883 A	Plug Screw for bed
2	95	Screw for 51147	1	21657 X	Release Lever Bush. Connection (402, 22596)	1	22889 C	Plug Screw for 539
1	HA95	Adjusting Screw for 51134 N	1	21657 Y	Tens. Release Separator	2	22889 D	Plug Screw for bed
1	96	Spot Screw for 51223 A	1	21657-4	Screw for 35731 A	1	22894 C	Plug Screw for bed
1	96	Screw for 51244	1	22513	Screw for 51273 A	4	22894 C	Set Screw for 29105 AA
2	97 A	Screw for 51241 K	3	22517	Screw for 51244 B	1	22894 C	Set Screw for 52372 A
1	98	Screw for 51244	2	22519 H	Screw for 51244 B	2	22894 D	Screw for 51273 B
3	98 A	Screw for 158 B	6	22524	Screw for 51282 AF	1	22894 D	Spot Screw for 29105 AA
1	98 A	Screw for 51291 A	1	22528	Screw for 51257 T (21657 E)	1	22894 D	Screw for 29476 DP
8	109	Tension Disc	1	22528	Screw for 51405 S-8	1	22894 D	Screw for 29476 DR
3	158 B	Thread Eyelet (98 A)	1	22537	Screw for 53783 N	2	22894 F	Set Screw for 51221 C
1	258	Nut for 51134 HA	1	22539 H	Plug Screw for bed	1	22894 H	Screw for 51242 W
1	258	Nut for 51280 E	1	22539 R	Plug Screw for bed	2	22894 J	Screw for 51247
1	258 A	Nut for 660-136	1	22541 B	Screw for 52882 AD	1	22894 T	Screw for 29476 HZ
1	258 A	Nut for 52894 AM	1	22542	Screw for 51282 Y	1	22894 T	Screw for 29476 JN
1	258 A	Check Nut for 29192 D	1	22547 C	Screw for 51478 (51250 C)	1	23322 M	Washer for 23322 AG
2	269	Nut for 51236 G, 57840	1	22548	Screw for 52882 AE	1	23322 AG-3/4	Binder for 3/4 inch binding (87 U, 23322 M)
1	402	Screw for 21657 Y	1	22557 B	Screw for 53783 L	1	23322 AG-7/8	Binder for 7/8 inch binding (87 U, 23322 M)
1	402	Screw for 53783 A	2	22559 A	Lower Cap Screw for 29105 AA	1	23322 AG-1	Binder for 1 inch binding (87 U, 23322 M)
1	531	Screw for 51257 M	2	22559 B	Upper Cap Screw for 29105 AA	1	23437 E	Screw for 23437 H
2	531	Screw for 51493 BQ	1	22559 G	Screw for 29066 R	1	23437 H	Binder Mounting Bracket (12957 E, 23437 E)
1	538	Height Adj. Screw for 52934	1	22560 B	Screw for 52934	1	23437 J	Binder Holder Bracket for 23437 H
1	539	Frame Ndl. Thd. Eye. (20, 22848, 22889 A)	2	22560 B	Screw for 51493 BP	1	23437 K	Binder Mounting Bracket Base for 23437 H (90)
1	604	Screw for 51430 L	1	22562 A	Screw for 51254 K	1	23439 A	Pin Tension (90)
1	643-127	Blk. Oil Pump Hous. Gasket	1	22564	Screw for 52336 A			
1	660-90	Felt Wiper for 29105 AA	1	22568	Screw for 51450			
1	660-136	Feed Crank Link Oil Tube (258 A)	3	22569 B	Screw for bearing housing			
1	660-169	Needle Bearing for 51236 E	5	22569 B	Screw for 51282 Y			
1	660-202	"O" Ring for pulley	3	22569 B	Screw for 51493 AH			
1	660-207	Oil Seal Ring for foot lifter lever bushing						
1	660-614	Temper Load Ring for 56350 D						

\*For old Style 52980 A, use countersunk head screw No. 80.

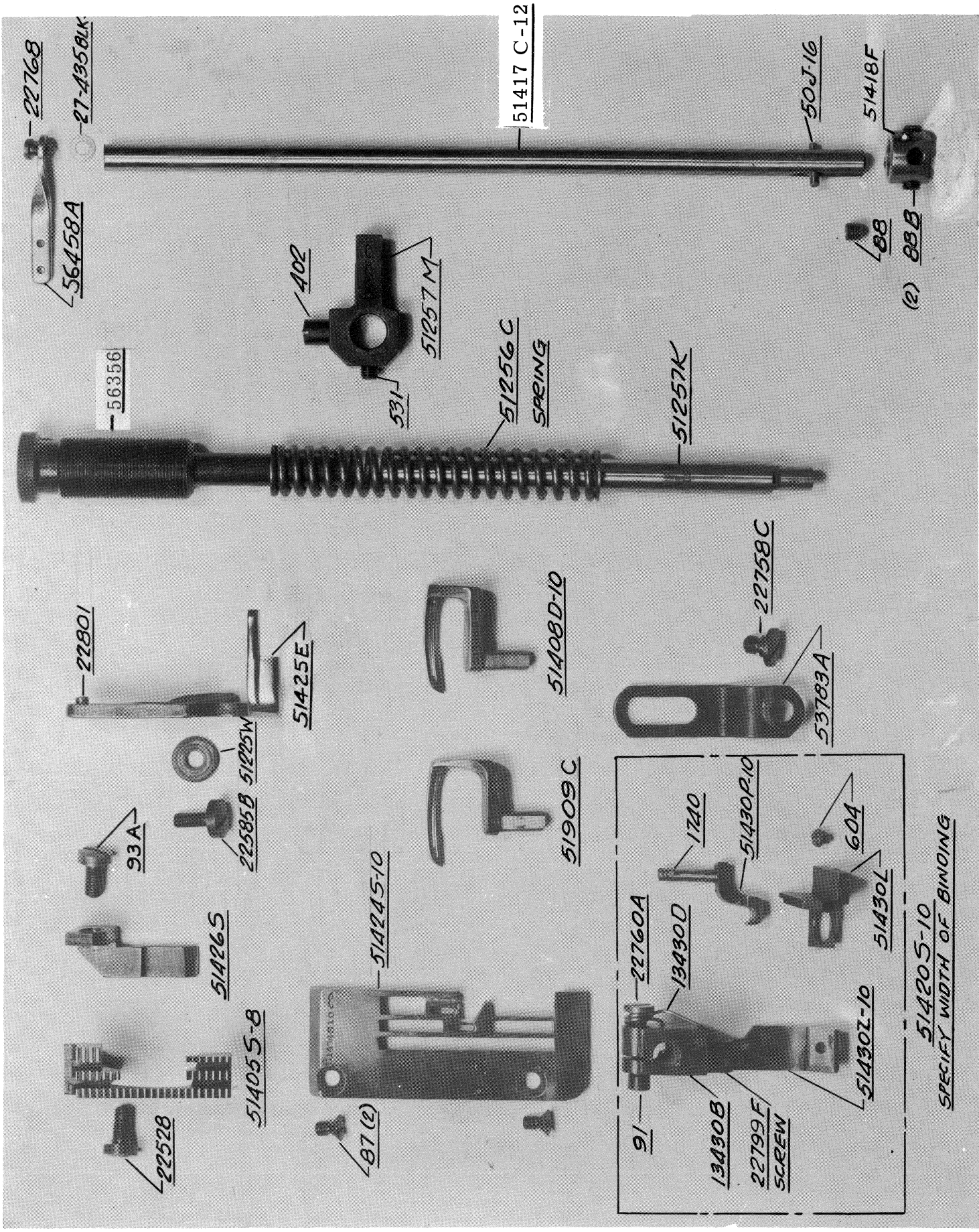


Amt.	Part No.	Description	Amt.	Part No.	Description	Amt.	Part No.	Description
1	29066 R	Upper Needle Lever Connecting Rod Ball Joint Assembly (22559 G)	1	51236 B	Feed Crank Stud Cap (22768)	1	51282 Z	Head Cover Gasket
			1	51236 D	Link for 51236 E	1	51282 AF	Oil Reservoir Top Cover (22524, 22585 A)
1	29105 AA	Looper Drive Eccentric Assembly, .220 inch throw	1	51236 E	Feed Crank Link Assembly	1	51283 H	Presser Foot Lifter and Tension Disc Release Lever
1	29192 D	Looper Rocker Assembly	1	51236 F	Ferrule for 51236 E	1	51290 R	Bushing for 52891 B
1	29348 AF	Needle Lever Assembly	1	51236 G	Feed Crank Stud (20, 82, 269)	1	51290 T	Main Shaft Bushing, center
1	29476 DP	Upper Feed Lift Eccen. Assembly, .140 inch throw	1	51241 K	Looper Connecting Rod and Ball Joint, right (12538)	1	51291 A	Looper Thread Guard (98 A)
1	29476 DR	Feed Lift Eccentric Assembly, lower .080 inch throw	2	51242 L	Thrust Washer for 51242 P	4	51292 A	Tension Post Ferrule
1	29476 HJ	Crankshaft Assembly, .770 inch throw	2	51242 M	Washer for 22852 A, 52841 G	4	51292 C	Tension Post Nut
1	29476 HZ	Knife Drive Eccen. Assembly, .140 inch throw	1	51242 P	Looper Drive Lever Shaft (51242 L)	4	51292 D	Tension Thread Eyelet
1	29476 JN	Looper Avoid Eccen. Assembly, .062 inch throw	1	51242 R	Looper Drive Lever Shaft Bushing, middle	2	51292 F-4	Tension Spring, looper
2	35178 D	Spring for 666-114	1	51242 S	Looper Drive Lever Shaft Bushing, rear	2	51292 F-8	Tension Spring, needle
2	35178 D	Spring for 666-65	1	51242 W	Looper Drive Lever (22811 B, 22894 H)	4	51292 G	Tension Post (43266)
2	35731 A	Presser Bar Conn. Guide Plate (22513, 51294 R)	1	51242 Y	Looper Drive Lever Rocker (81, 22852 A)	1	51294 K	Upper Clamp for 51294 U
1	35766	Screw for 51450	1	51242 Z	Looper Drive Lever Shaft Bushing, front	1	51294 M	Oil Tube
1	39158 G	Hinge for 51278	1	51243 C	Ball Stud Fork (22729)	1	51294 P	Oil Tube Clamp (7947)
1	39158 U	Spring for 51278	1	51244	Looper Rocker Frame (96, 98)	1	51294 R	Screw for 51294 P
1	39552 C	Washer for 53783 N	1	51244 B	Looper Rocker Shaft Arm (77, 22519 H)	1	51294 U	Oil Siphon Assembly
1	39582 L	Oil Cap for 52882 AD	1	51244 K	Looper Rocker Shaft (51244 L)	1	51294 W	Oil Tube for 51273 D
2	41394 A	Gasket for 22733 B	2	51244 L	Thrust Washer for 51244 K	1	51294 Z	Oil Tube Connection (21212)
2	43266	Nut for 51292 G	1	51244 N	Looper Rocker Shaft Collar (18, 55244 G)	1	51382 A	Gasket for 51282 AF
1	51054	Feed Crank Link Pin (77, 666-149)	1	51246	Looper Rocker Stud Nut	1	51401 R	Cloth Plate (80, 22839 C)
1	51134 C	Feed Bar Shaft	1	51247	Main Shaft Counterweight (22894 J)	1	51405 S-8	Lower Feed Dog (22528)
1	51134 J	Washer for 51134 HA	1	51250 C	Nut for 22547 C	1	51406	Eccentric for 29476 JN (22894 T)
1	51134 N	Spring for 52934 A (HA 95)	1	51250 D	Washer for 22586 R	1	51408 D-10	Looper, front (73)
1	51134 S	Upper Feed Bar Shaft (88 B)	1	51250 F	Gasket for 22586 R	1	51417 C-12	Needle Bar (50 J-16)
1	51134 V	Taper Pin for 52934 B	1	51254 C	Upper Needle Bar Bushing	1	51418 F	Needle Clamp Collar (88 B, 89)
1	51134 HA	Feed Dog Holder (258)	1	51254 D	Lower Needle Bar Bushing	1	51420 S-10-3/4	Presser Foot for Style 51400 BJ-10-3/4
1	51135 P	Feed Rocker Arm (6042 A, 55235 D, 55235 E)	1	51254 K	Needle Bar Conn. for 29348 AF (22562 A)	1	51420 S-10-7/8	Presser Foot for Style 51400 BJ-10-7/8
1	51142 B	Eccentric for 29476 DP, 29476 HZ	1	51256 C	Presser Bar Spring	1	51420 S-10-1	Presser Foot for Style 51400 BJ-10-1
1	51142 C	Eccentric for 29476 DR	1	51257 K	Presser Bar	1	51422 E	Main Shaft
1	51145 A	Eccentric Link Assembly	1	51257 M	Presser Bar Conn. and Guide (531)	1	51424 S-10	Throat Plate (87)
1	51147	Main Shaft Collar (95)	1	51257 T	Cast-off Plate Support (22528)	1	51425 E	Needle Guard (22585 B, 51225 W)
1	51193 X	Oil Tube for upper feed bar pin (666-123)	1	51257 AA	Lower Presser Bar Bushing	1	51426 S	Upper Feed Dog (93 A)
1	51204	Looper Thread Retaining Finger (22798 A)	1	51270 B	Needle Thread Take-up Wire (95)	1	51430 L	Knife Guard for 51420 S-10 (604)
1	51204 A	Looper Thread Retaining Finger Holder (77, 22798 A)	1	51272 C	Block Guide Collar Shaft	1	51430 P-10-3/4	Yielding Section for 51420 S-10-3/4
1	51204 B	Auxiliary Cast-off Finger	1	51272 D	Block Guide Collar Shaft Spring	1	51430 P-10-7/8	Yielding Section for 51420 S-10-7/8
1	51204 C	Cast-off Finger Support Bracket (J87 J, 77)	1	51273 A	Upper Knife Holder Bracket (22517)	1	51430 P-10-1	Yielding Section for 51420 S-10-1
2	51216 G	Needle Lever Connecting Rod	1	51273 B	Upper Knife Holder Rocker Stud (22894 C)	1	51430 Z-10	Presser Foot Bottom for 51420 S-10
28	51216 M	Needle Bearing Roller for 29476 HJ	1	51273 D	Upper Knife Holder Rocker Arm	1	51449	Knife, lower
3	51216 N	Washer for 22852, 55244 G, 56315 A	1	51278	Chip Guard Assembly (22730)	1	51450	Lower Knife Holder Block (22568, 35766)
1	51216 P	Nut for 56315 A	1	51278 A	Chip Guard for 51278 Spring (22570 B)	1	51470	Knife, upper
1	51221 C	#1 "V" and Round Belt Pulley (22894 F)	1	51278 D	Hinge Pin for 51278	1	51472 A	Upper Knife Shield (22798)
1	51223 A	Take-up (96, 22580 D)	1	51278 G	Throat Plate Support Pin (258)	1	51472 B	Upper Knife Clamp (22729)
1	51225 W	Washer for 22585 B	1	51280 E	Dowel Pin for 52980 A	1	51478	Front Cover and Chip Guard Latch (22547 C, 51250 C)
1	51236 A	Link Pin for 51273 D (77)	2	51280 J	Head Cover (22569 B)	4	51491 C	Lead-in Thread Eye.
2	51236 A	Feed Lift Eccentric Link Pin (77)	1	51282 Y				
1	51236 A	Looper Avoid Eccentric Link Pin						

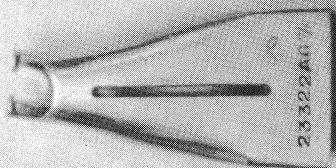
Amt.	Part No.	Description	Amt.	Part No.	Description	Amt.	Part No.	Description
1	51493 B	Gear Stud for 51493 AG	1	52882 AC	Oil Cap Torsion Spr. for 52882 AD	1	53783 N	Presser Foot Lifter Lever, internal (22537)
1	51493 D	Pump Driving Shaft	1	52882 AD	Chamber Cover (22541 B)	2	55235 D	Screw for 51135 P
2	51493 E	Driving Shaft Gear	1	52882 AE	Crank Chamber Cover (22548)	2	55235 E	Nut for 51135 P
1	51493 AG	Oil Pump Housing	1	52883 R	Presser Foot Lifter Lever Bushing	1	55241 N	Looper Connecting Rod Ball Joint, left (18)
1	51493 AH	Pump Housing Cover (22569 B)	1	52883 S	Presser Foot Lifter Lever Bell Crank	1	56315 A	Needle Lever for 29348 AF (51216 N, 51216 P)
1	51493 BK	Lint Filter Screen	1	52890 C	Main Shaft Bushing, left and inner right	1	56341 G	Spring for 51241 K
1	51493 BP	Pump Driving Gear (22560 B)	1	52891 B	Main Shaft Housing (22569 B)	1	56350 D	Needle Lever Stud (719, 660-625)
1	51493 BQ	Pump Driven Gear (531)	3	52894 AB	Oil Tube Holder (90)	1	56350 E	Thrust Collar for 56350 D
1	51494 E	Oil Tube for upper and lower feed lift eccentric	1	52894 AK	Oil Tube for looper rocker and left ball joint (88)	1	56350 F	Thrust Washer for 56350 D
1	51513	Looper Rocker for 29192 D	1	52894 AM	Oil Tube for right ball jt. (258A, 6042A)	1	56354 D	Needle Bar Link for 29348 AF
1	51745	Rocker Cone Stud (22829, 51246)	1	52934	Feed Bar, tiltable	1	56356	Presser Spring Regulator
1	51909 C	Looper, back (73)	1	52934 A	Upper Feed Bar (HA95)	1	56382 X	Tension Post Support Bracket
2	52336 A	Link Pin for 29348 AF (77, 22564)	1	52934 B	Upper Feed Bar Arm	1	56382 AC	Bearing Oiler Assembly (90)
1	52350 A	Knife Holder Plate (22588 A)	1	52934 C	Rubber Stop Pad	1	56383 AB	Presser Foot Lifter Lever Connecting Rod
1	52372	Upper Knife Holder Block (22711)	1	52934 D	Top Feed Holder (22852)	1	56390 E	Gasket for 52891 B
1	52372 A	Upper Knife Holder Block Guide Collar (22711, 22894 C)	1	52934 E	Lubricating Felt Guard	1	56458	Needle Lever Thread Eyelet (22768)
2	52373 A	Bushing for 51273 D	1	52934 F	Lubricating Felt Guard	1	56458 A	Needle Bar Thread Eyelet (27-435 Blk., 22768)
1	52470	Stop for looper connecting rod	1	52935	Feed Rocker (92127)	1	57840	Looper Connecting Rod (18, 269)
1	52841 G	Locking Stud for 51242 Y (51242 M)	2	52936	Feed Rocker Shaft Bushing	2	92127	Screw for 52935
1	52841 J	Nut for 52841 G	1	52944 T	Looper Rocker Shaft Bushing, left			
1	52882 L	Oil Reservoir Back Cover (22733 B, 22848)	1	52944 U	Looper Rocker Shaft Bushing, right			
1	52882 M	Gasket for 52882 L	*1	52980 A	Throat Plate Support (80 or 22839)			
1	52882 P	Gasket for 52882 AD	1	53783 A	Lifter Lever Link (402, 22758 C)			
1	52882 U	Gasket for 52882 AE	1	53783 L	Presser Foot Lifter Lever Bell Crank (22557 B)			
1	52882 W	Gasket for 51282 Y						
1	52882 AA	Drip Plate for 52882 AD						

\*For old Style 52980 A, use countersunk head screw No. 80.

NOTE: Numbers in parenthesis following parts' descriptions indicate the screws, nuts, etc. used to attach or hold those parts.

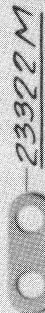






23322AG

*SPECIFY WIDTH OF BINDING*

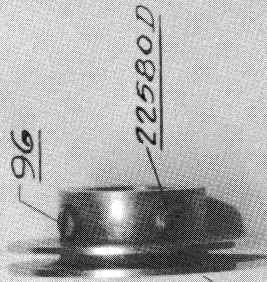


23322M



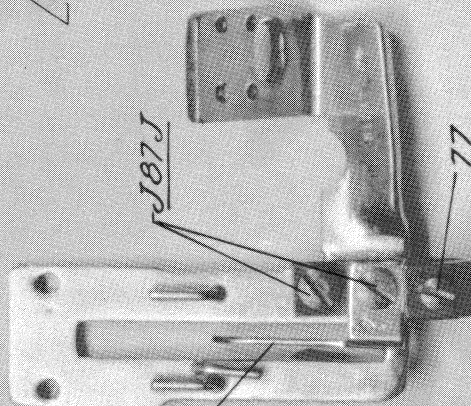
87U

96



22580D

51223A



51257T

51204B

J87J

77

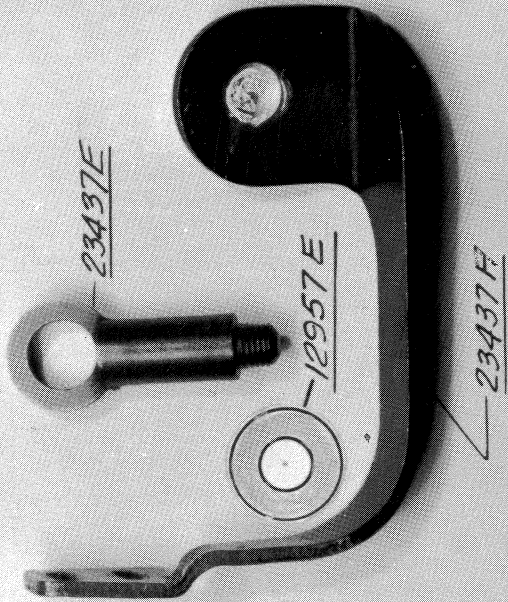
51204C



51204



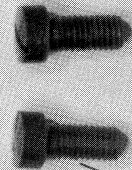
22798A 51204A



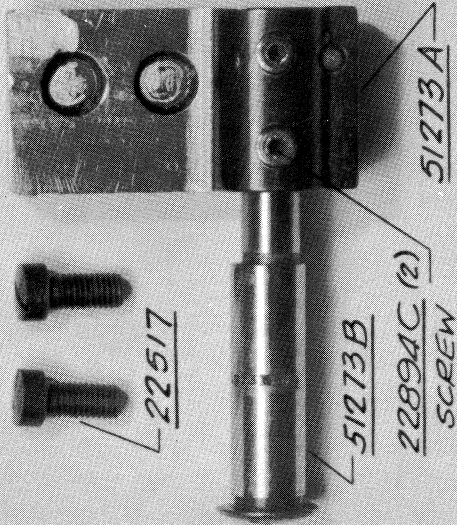
23437E

12957E

23437F



22517



51273B

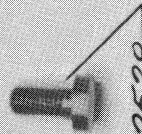
22894C (2)

SCREW

51273A

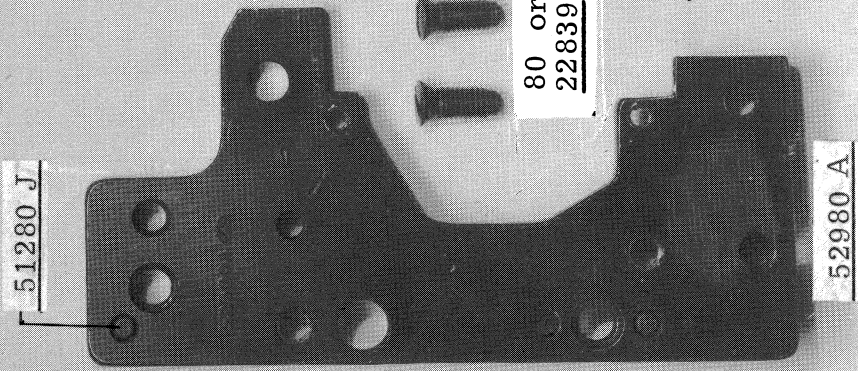
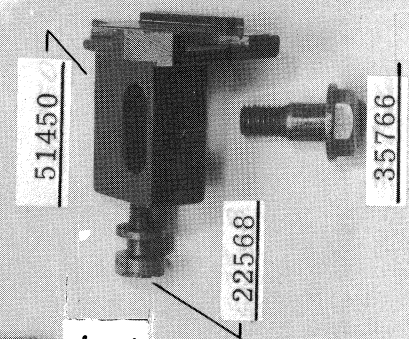
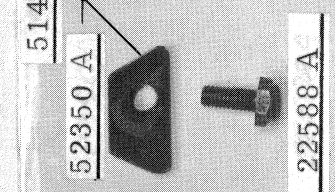
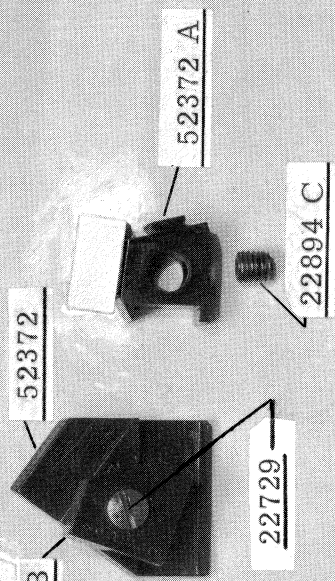
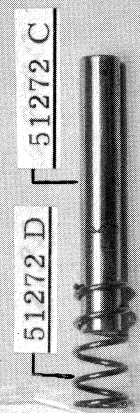
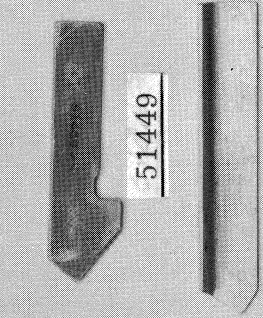
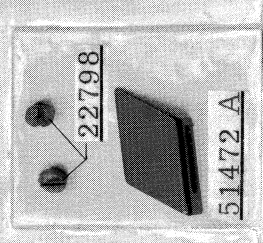
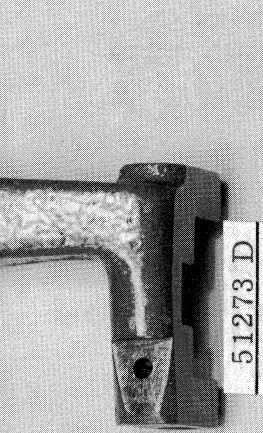
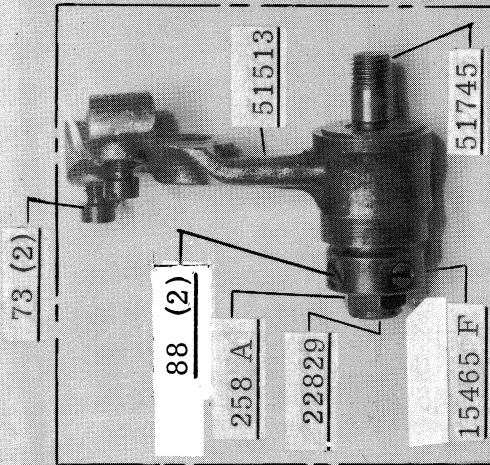
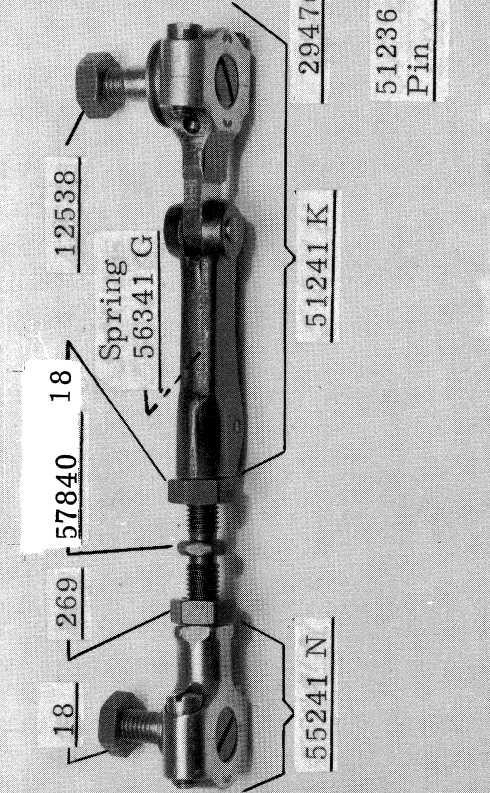
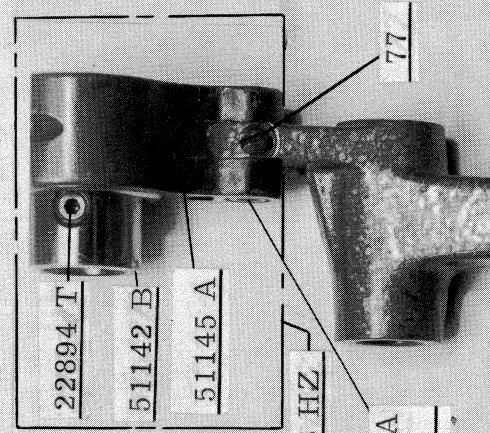


21657E

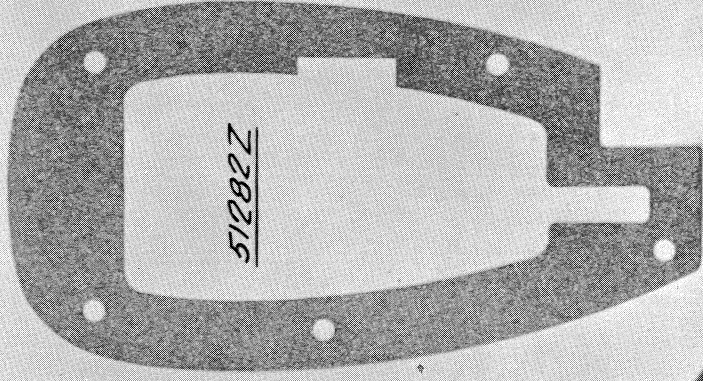


22528





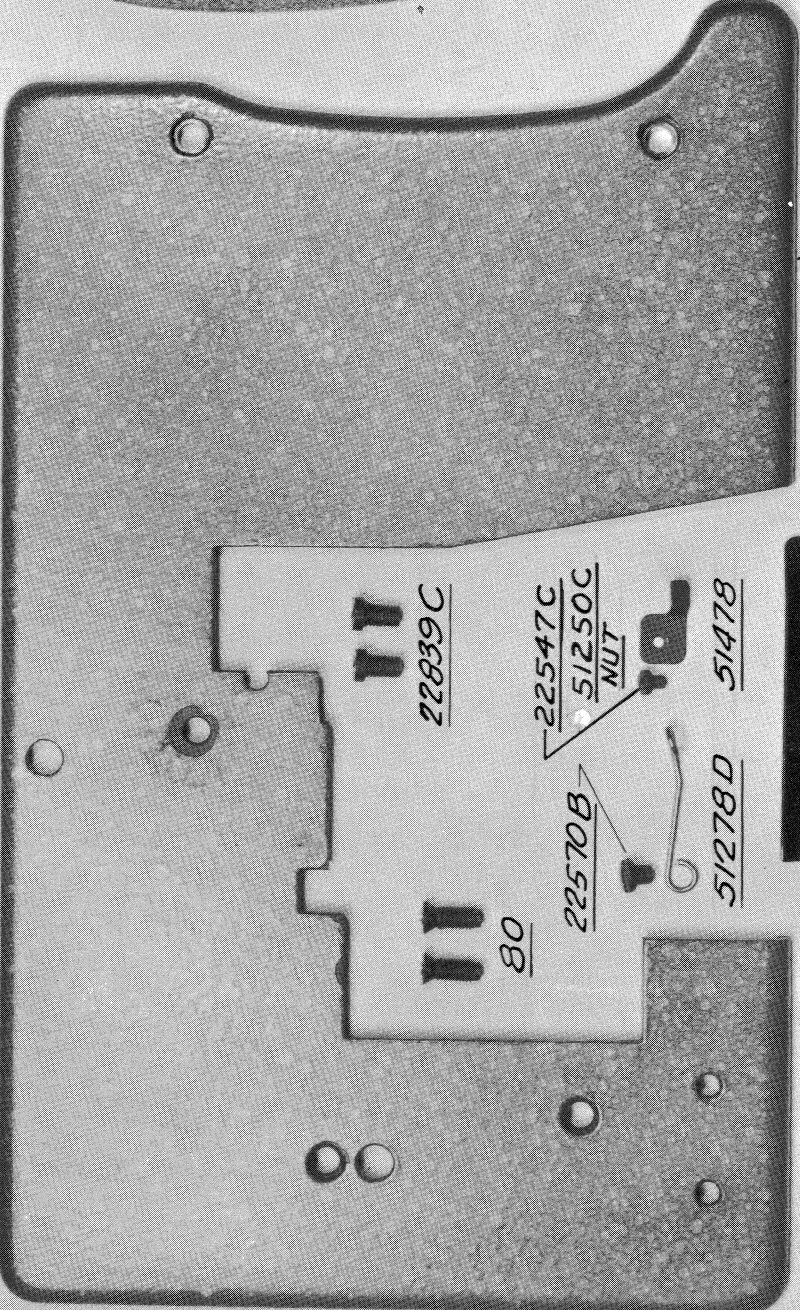




22569B



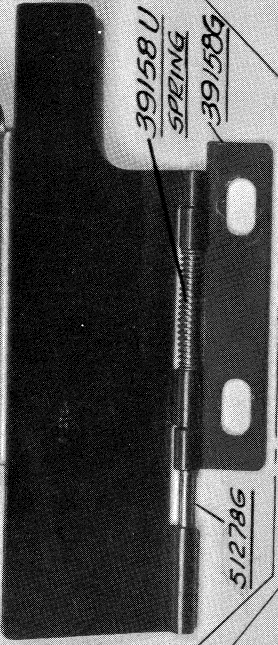
51282Y



51401R

22542  
SCREW

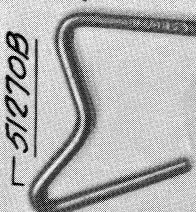
51278A



51270B

51458

22768



158B

98A

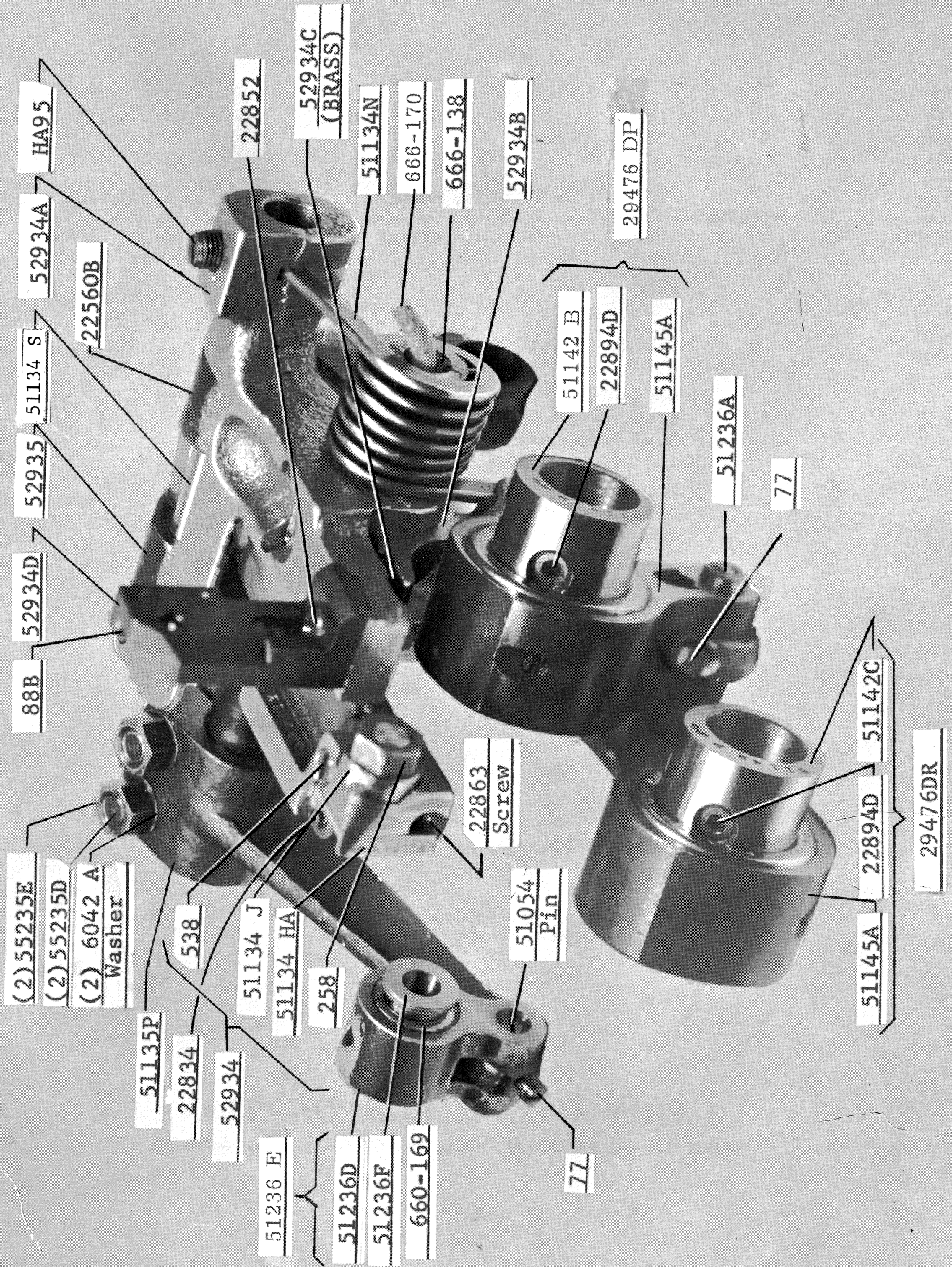
20

22848

51758

51278









*Union Special*<sup>®</sup>  
INDUSTRIAL SEWING MACHINES

UNION SPECIAL maintains sales and service facilities throughout the world. These offices will aid you in the selection of the right sewing equipment for your particular operation. Union Special representatives and service men are factory trained and are able to serve your needs promptly and efficiently. Whatever your location, there is a Union Special Representative to serve you. Check with him today.

**ATLANTA, GA.**

**BOSTON, MASS.**

**CHICAGO, ILL.**

**DALLAS, TEXAS**

**LOS ANGELES, CAL.**

**NEW YORK, N. Y.**

**PHILADELPHIA, PA.**

**MONTREAL, CANADA**

**TORONTO, CANADA**

**BRUSSELS, BELGIUM**

**LEICESTER, ENGLAND**

**LONDON, ENGLAND**

**PARIS, FRANCE**

**STUTTGART, GERMANY**

**Representatives and distributors in all important  
industrial cities throughout the world.**

**UNION SPECIAL CORPORATION**  
**400 N. FRANKLIN ST., CHICAGO, ILL. 60610**