

Columbia

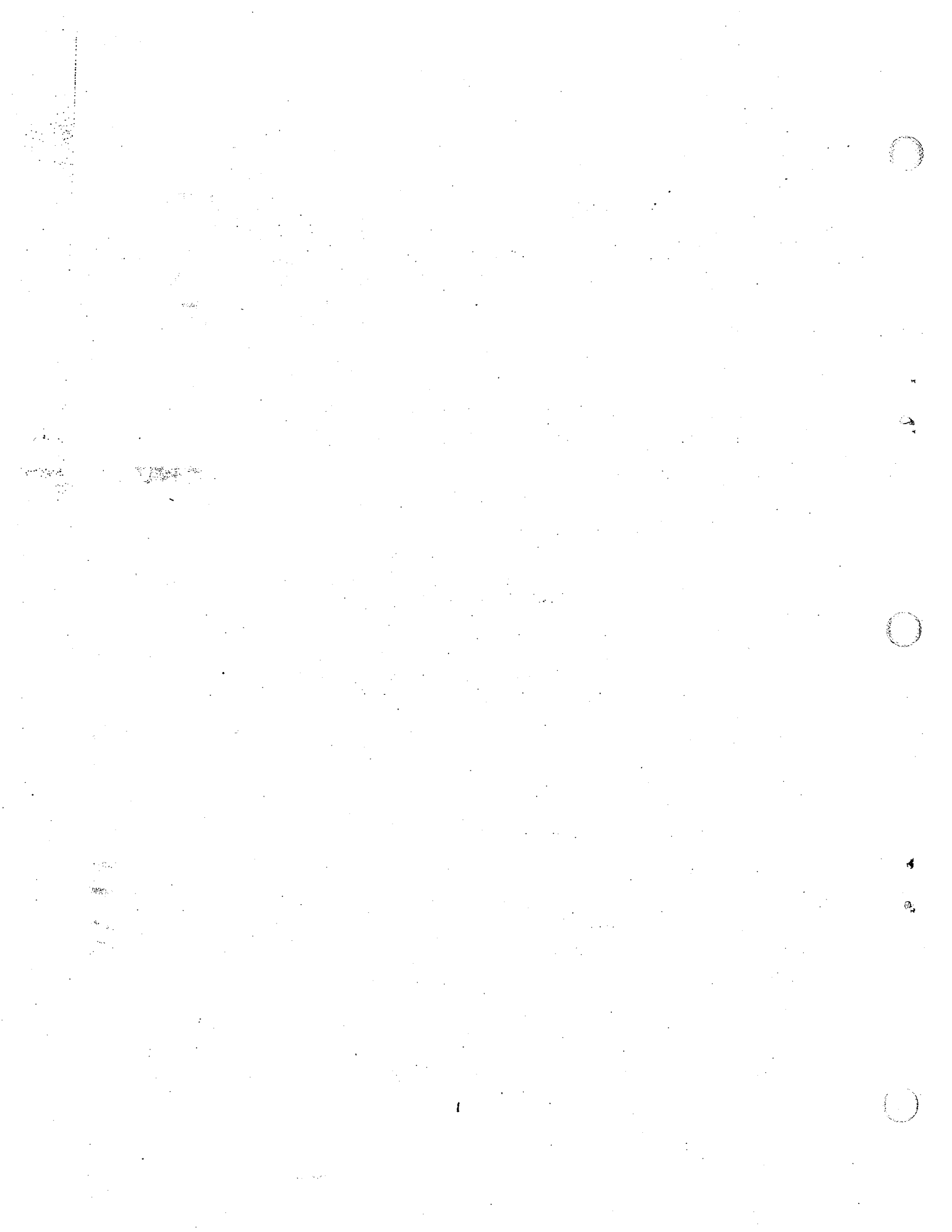
**ILLUSTRATED SPARE PARTS LIST
FOR
HIGH SPEED
OVERLOCK MACHINE**

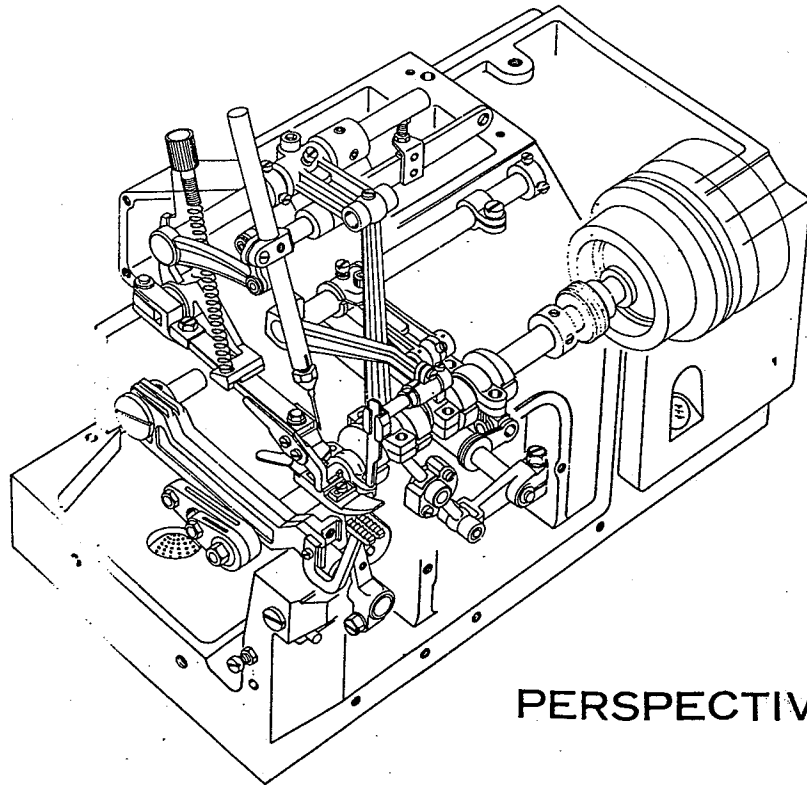
MODEL

600-1 600-2 600-3 600-4

Union Special[®]

MACHINE COMPANY





PERSPECTIVE

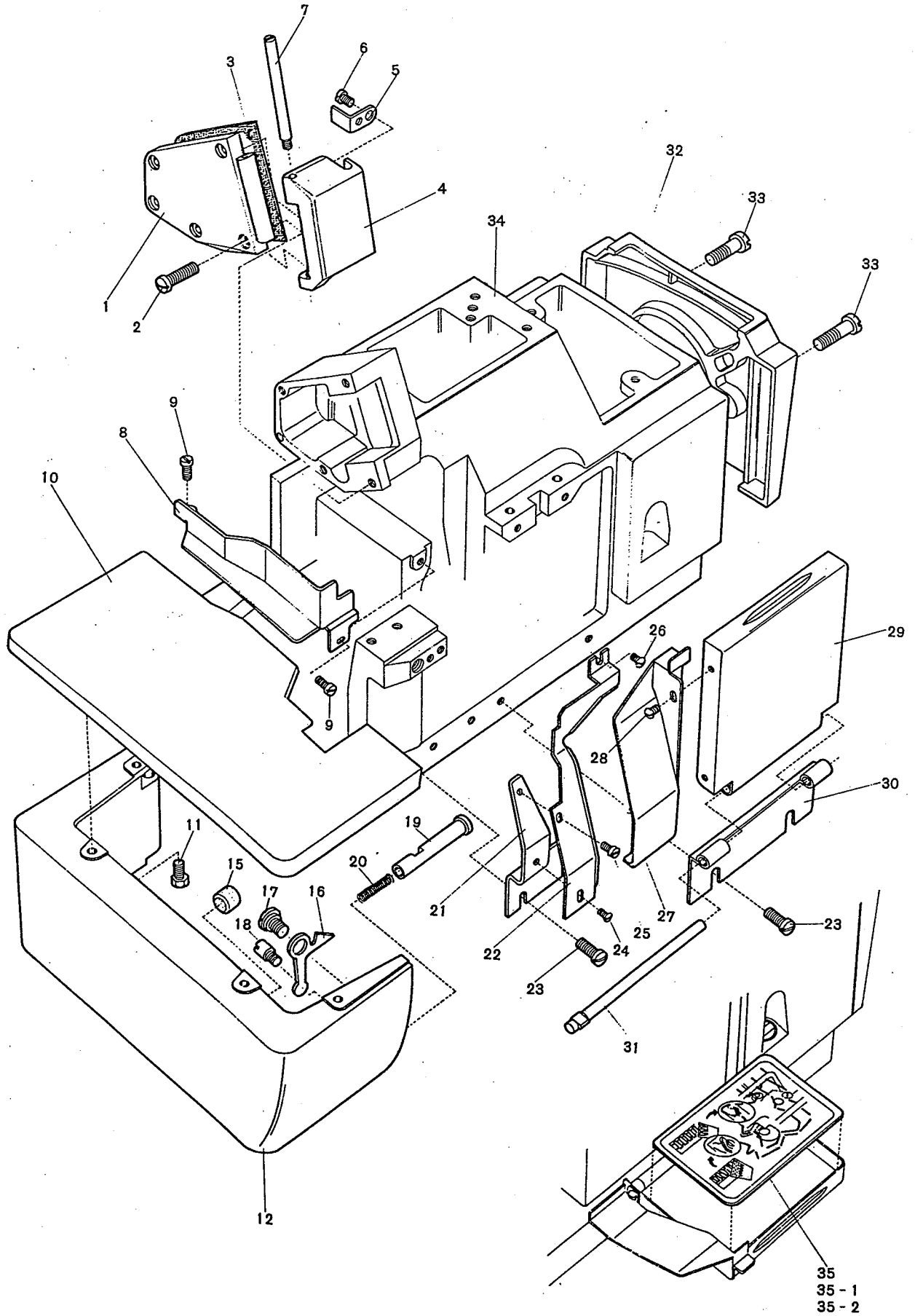
CONTENTS

MISCELLANEOUS COVER (1)	1
MISCELLANEOUS COVER (2)	2
THREAD EYELET AND BASE	3
MISCELLANEOUS BUSHING AND CRANK SHAFT	4
NEEDLE BAR AND KNIFE DRIVING MECHANISM	5
LOOPER DRIVING MECHANISM	6
PRESSER FOOT MECHANISM	7
FEED DRIVING MECHANISM	8
OIL LUBRICATING SYSTEM	9
600-2, -3, -4 EXCLUSIVE PARTS	10
600-4 EXCLUSIVE PARTS	11
ACCESSORY	12
INDEX	13



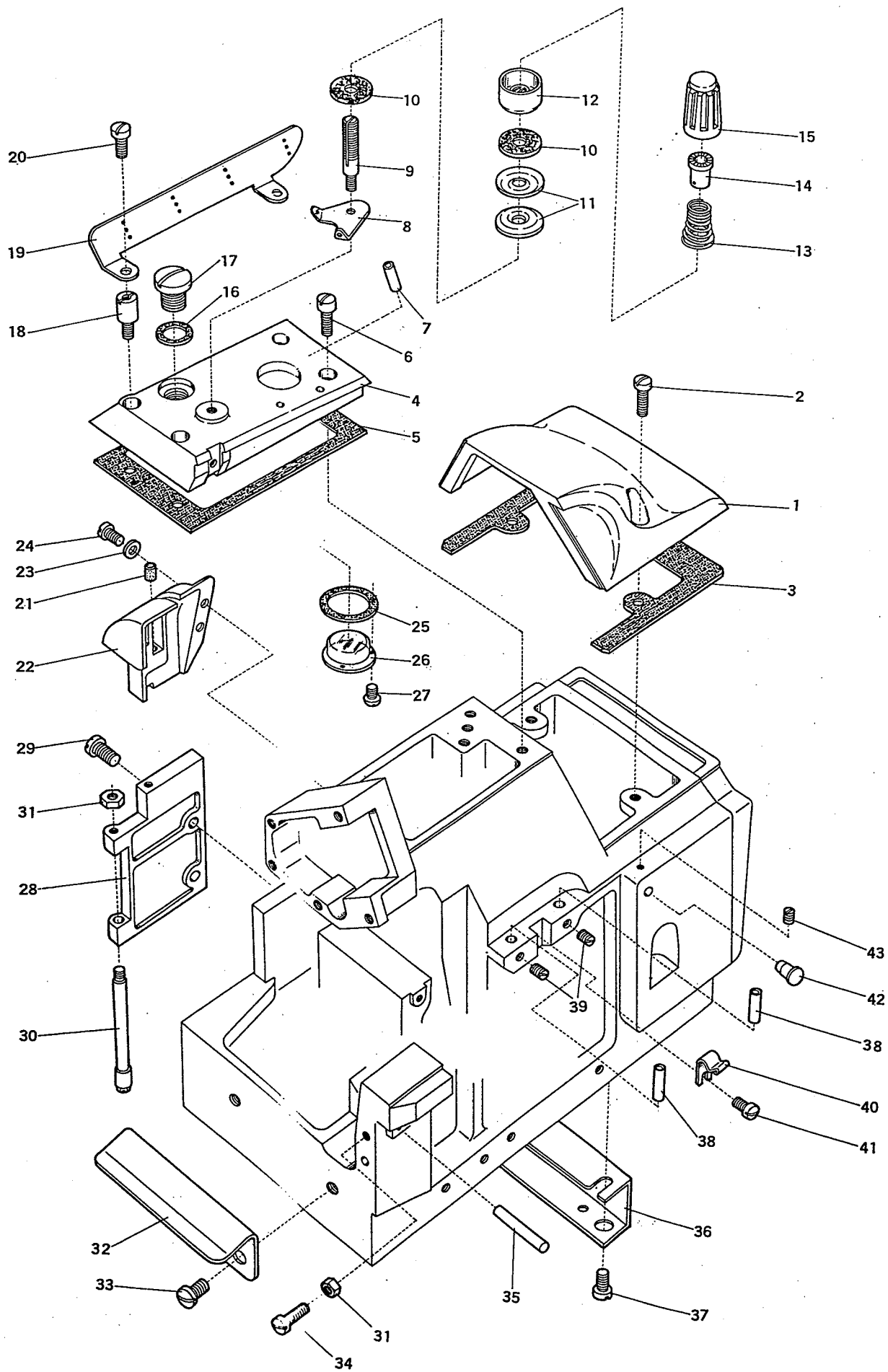
Please always mention our parts number when placing your orders.

1



MISCELLANEOUS COVER(1)

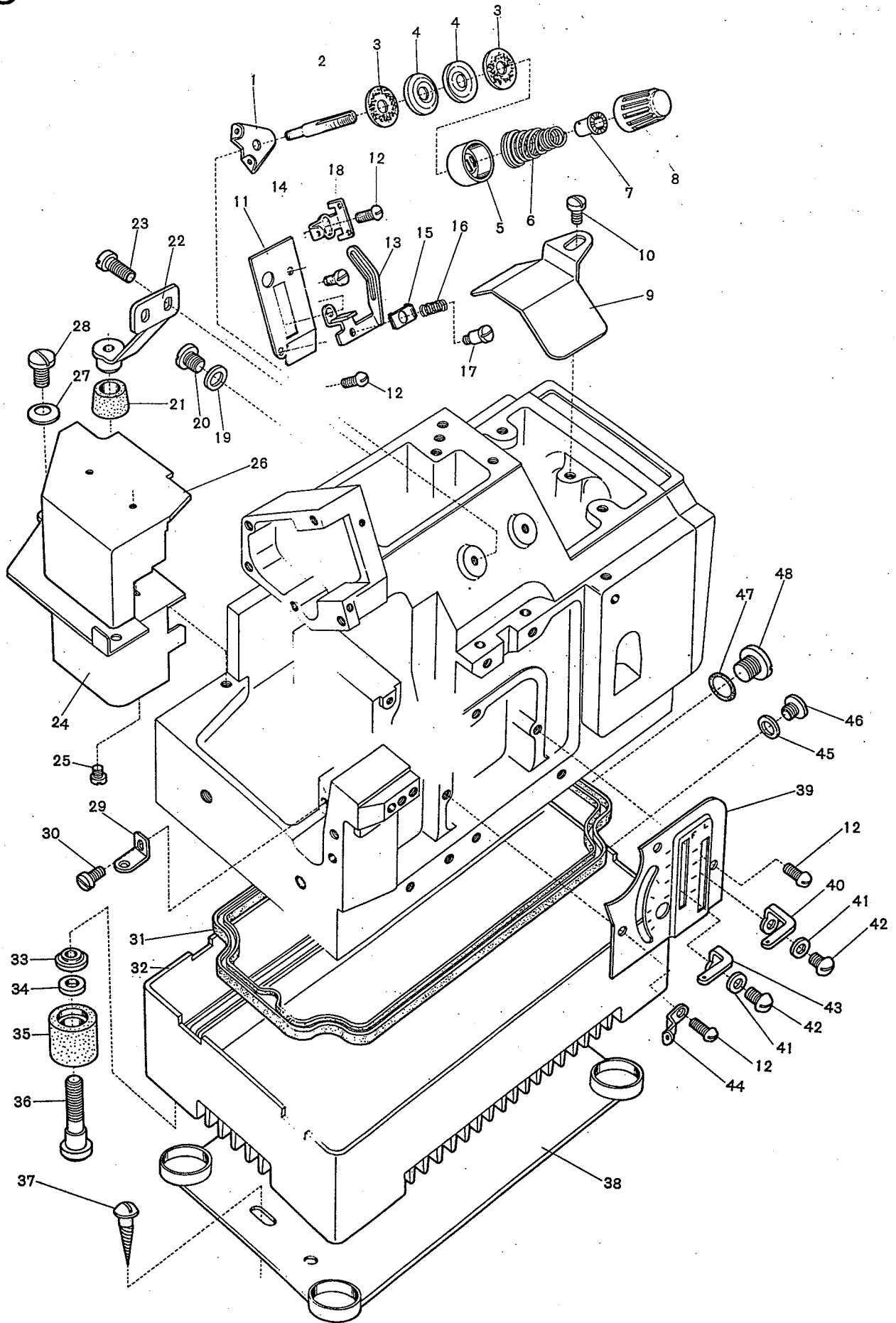
<u>Ref.No.</u>	<u>Parts.No.</u>	<u>Description</u>	<u>Amt. Req.</u>	<u>Remarks</u>
1	Y32617	Side Cover	1	
2	Y 9150	Screws for Y32617	5	
3	Y32618	Side Cover Gasket	1	
4	Y32619	Needle Thread Cover	1	
5	Y32620	Needle Thread Cover Latch Spring	1	
6	Y 7302	Screws for Y32620	2	
7	Y32622	Needle Thread Cover Pin	1	
8	Y32623	Fabric Guard	1	
9	Y 4353	Screws for Y32623	2	
10	Y32602	Cloth Plate (Upper)	1	
11	Y 7605	Screws for Y32602	4	
12	Y32603	Cloth Plate (Lower)	1	
15	Y32604	Cloth Plate Rubber Cushion	1	
16	Y30126	Cloth Plate Latch	1	
17	Y 6040	Screw for Y30126	1	
18	Y 5095	Stopper for Y30126	1	
19	Y32628	Cloth Plate Latch Plunger	1	
20	Y32629	Cloth Plate Latch Spring	1	
21	Y32640	Chip Guard Supporter	1	
22	Y32610	Chip Guard (Fix)	1	
23	Y 4440	Screws for Y32607, Y32640	4	
24	Y 1330	Screw for Y32610	1	
25	Y 1222	Screw for Y32610	1	
26	Y 1326	Screw for Y32610	1	
27	Y32611	Chip Guard (Open)	1	
28	Y 5131	Screws for Y32611	2	
29	Y32606	Front Cover	1	
30	Y32607	Front Cover Hinge	1	
31	Y32608	Front Cover Hinge Pin	1	
32	Y34760	Belt Cover	1	
33	Y 5089	Screws for Y32477	2	
34	Y32600	Frame	1	
35	Y 873	Threading Chart for 600-1	1	
35-1	Y 874	Threading Chart for 600-2, -3	1	
35-2	Y 875	Threading Chart for 600-4	1	



MISCELLANEOUS COVER(2)

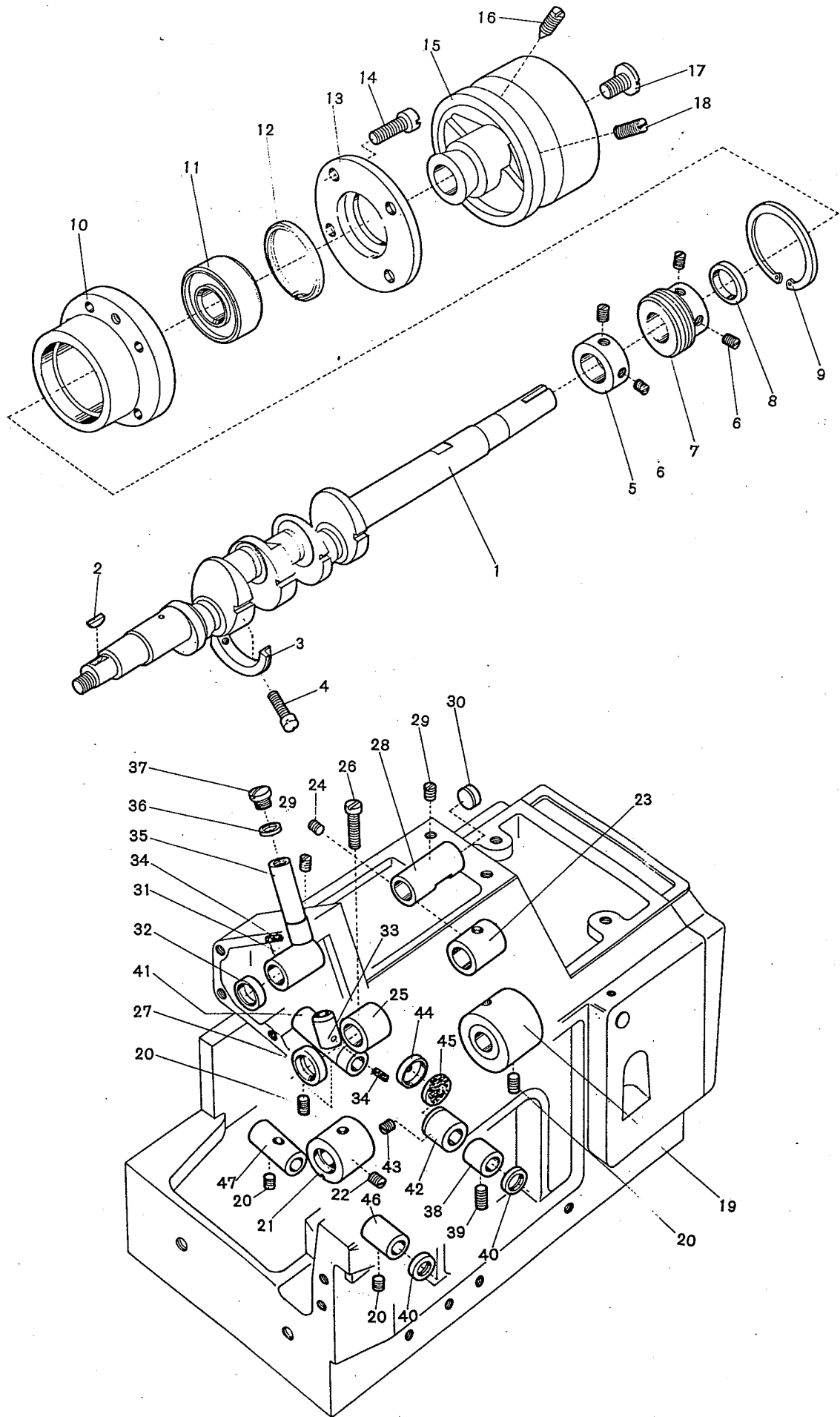
2

<u>Ref.No.</u>	<u>Parts.No.</u>	<u>Description</u>	<u>Amt. Req.</u>	<u>Remarks</u>
1	Y34762	Top Cover (Right)	1	
2	Y 9150	Screws for Y34762	2	
3	Y32597	Top Cover (Right) Gasket	1	
4	Y34761	Top Cover (Left)	1	
5	Y32615	Top Cover (Left) Gasket	1	
6	Y 9150	Screws for Y32615	2	
7	Y32577	Looper Thread Tubes (Upper)	2	
8	Y32962	Tension Disc Eyelet	1	
9	Y 6544	Needle Thread Tension Post	1	
10	Y 286	Felts for Y01111	2	
11	Y01111	Tension Discs	2	
12	Y37635	Thread Tension Spring Retainer	1	
13	Y32971	Needle Thread Tension Spring	1	
14	Y30254	Tension Spring Bushing	1	
15	Y32965	Thread Tension Spring Cap	1	
16	Y 610	Seal for Y5075	1	
17	Y 5077	Oil Hole Screw	1	
18	Y 5492	Screws for Y34761	1	
19	Y34764	Thread Lead	1	
20	Y 4351	Screws for Y34764	2	
21	Y32365	Presser Foot Release Lever Cushion	1	
22	Y32624	Foot Lifter Hinge Cover	1	
23	Y 550	Washers for Y32624	2	
24	Y 4440	Screws for Y32624	2	
25	Y32924	Oil Sight Top Window Seal	1	
26	Y32930	Oil Sight Top Window	1	
27	Y 1333	Screws for Y32930	3	
287	Y32605	Cloth Plate Hinge	1	
29	Y 5089	Screws for Y32605	2	
30	Y32586	Cloth Plate Hinge Pin	1	
31	Y 334	Nuts for Y1156, Y32586	2	
32	Y32599	Frame Hanger	1	
33	Y 7678	Screws for Y32599	2	
34	Y 1156	Stopper Screw for Cloth Plate	1	
35	Y 698	Cloth Plate Latch Pin	1	
36	Y32484	Under Pump Oil Filter Screen Supporter	1	
37	Y 4440	Screws for Y32484	2	
38	Y32963	Looper Thread Tubes (Lower)	2	
39	Y 1459	Screws for Y32963	2	
40	Y32609	Front Cover Latch Spring	1	
41	Y 4358	Screw for Y32609	1	
42	Y32612	Front Seal Plug	1	
43	Y 3434	Screw for Y32614	1	



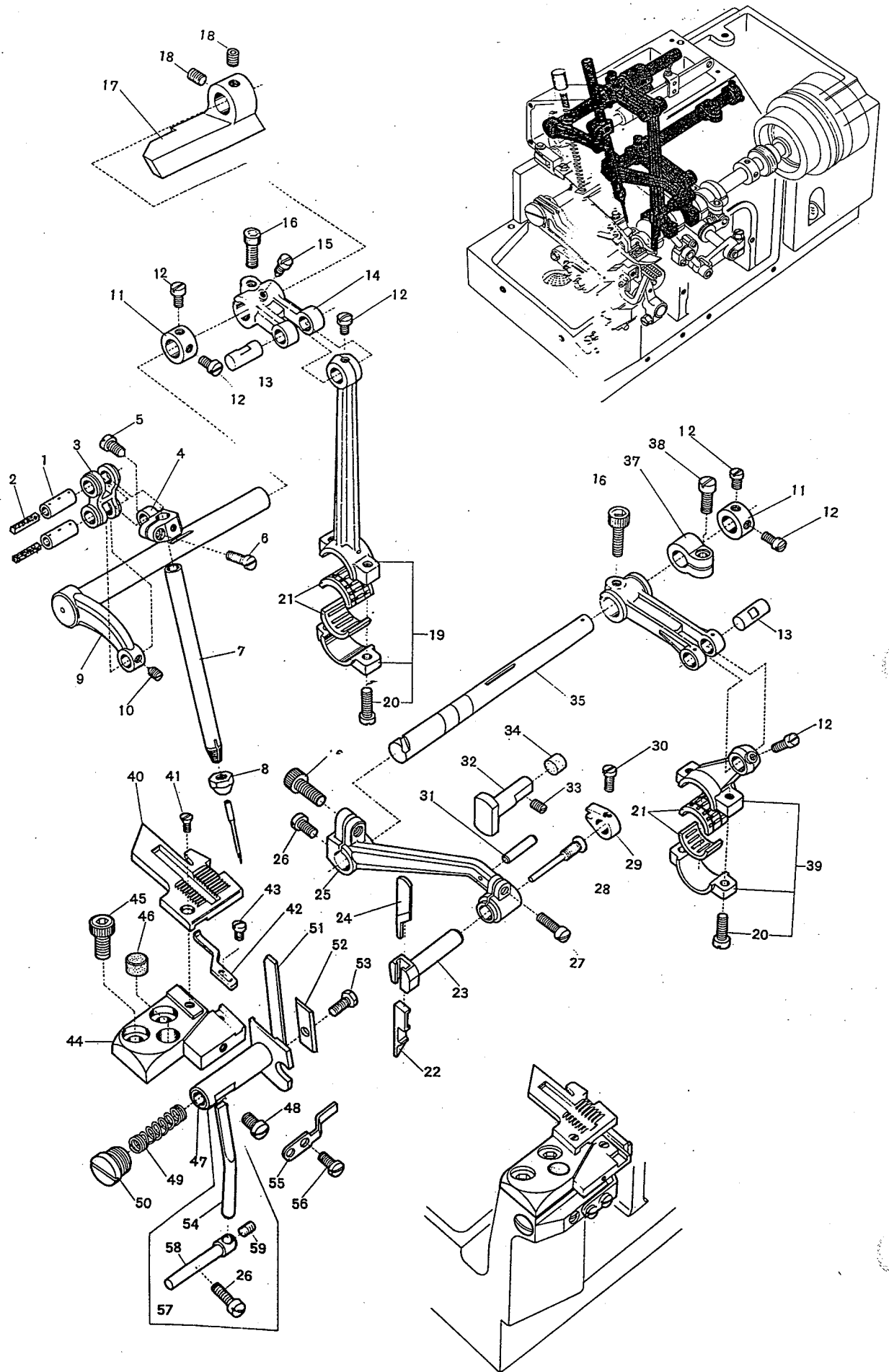
THREAD EYELET AND BASE

<u>Ref.No.</u>	<u>Parts.No.</u>	<u>Description</u>	<u>Amt. Req.</u>	<u>Remarks</u>
1	Y32962	Tension Disc Eyelet for Looper	2	
2	Y 6542	Looper Thread Tension Posts	2	
3	Y 286	Felts for Y01111	4	
4	Y01111	Tension Discs	4	
5	Y37635	Thread Tension Spring Retainers	2	
6	Y32952	Looper Thread Tension Springs	2	
7	Y30254	Tension Spring Bushings	2	
8	Y32965	Thread Tension Spring Caps	2	
9	Y32663	Worm Cover	1	
10	Y 4438	Screw for Y32663	1	
11	Y32627	Needle Bar Connecting Link Cover	1	
12	Y 1326	Screws for Y32424, Y32627, Y34010	5	
13	Y32423	Needle Bar Thread Retainer Bracket	1	
14	Y 7006	Screw for Y32423	1	
15	Y32425	Needle Bar Thread Retainer Plate	1	
16	Y32426	Needle Bar Thread Retainer Spring	1	
17	Y 1092	Screw for Y32425	1	
18	Y32424	Needle Thread Eyelet	1	
19	Y 567	Seal for Y5062	1	
20	Y 5062	Oil Hole Screw	1	
21	Y32976	Stay Rubber Cushion	1	
22	Y32977	Frame Stay	1	
23	Y 9150	Screws for Y32977	2	
24	Y32475	Feed Mechanism Oil Shield	1	
25	Y 1228	Screws for Y32475	2	
26	Y32625	Feed Mechanism Cover	1	
27	Y 10	Washer for Hinge Screw	1	
28	Y 6004	Hinge Screw for Y32625	1	
29	Y32626	Feed Mechanism Cover Latch Spring	1	
30	Y 4351	Screw for Y32626	1	
31	Y32975	Base Gasket	1	
32	Y32973	Base	1	
33	Y32375	Base Oil Seals	4	
34	Y 563	Washers for Y32973	4	
35	Y32377	Base Rubber Cushions	4	
36	Y 6262	Screws for Y32973	4	
37	Y 6910	Wood Screws	4	
38	Y32660	Rubber Cushion Holder Plate	1	
39	Y34010	Looper Thread Eyelet Supporter	1	
40	Y32955	Looper Thread Eyelet (Right)	1	
41	Y 532	Washers for Y32955, Y32358	2	
42	Y 1330	Screws for Y32955, Y32358	2	
43	Y32358	Looper Thread Eyelet (Left)	1	
44	Y32960	Lower Looper Thread Eyelet	1	
45	Y 567	Drain Hole Seal for Outer	1	
46	Y 9852	Drain Hole Screw for Outer	1	
47	Y32421	Drain Hole Seal for Inner	1	
48	Y 5075	Drain Hole Screw for Inner	1	



MISCELLANEOUS BUSHING AND CRANK SHAFT

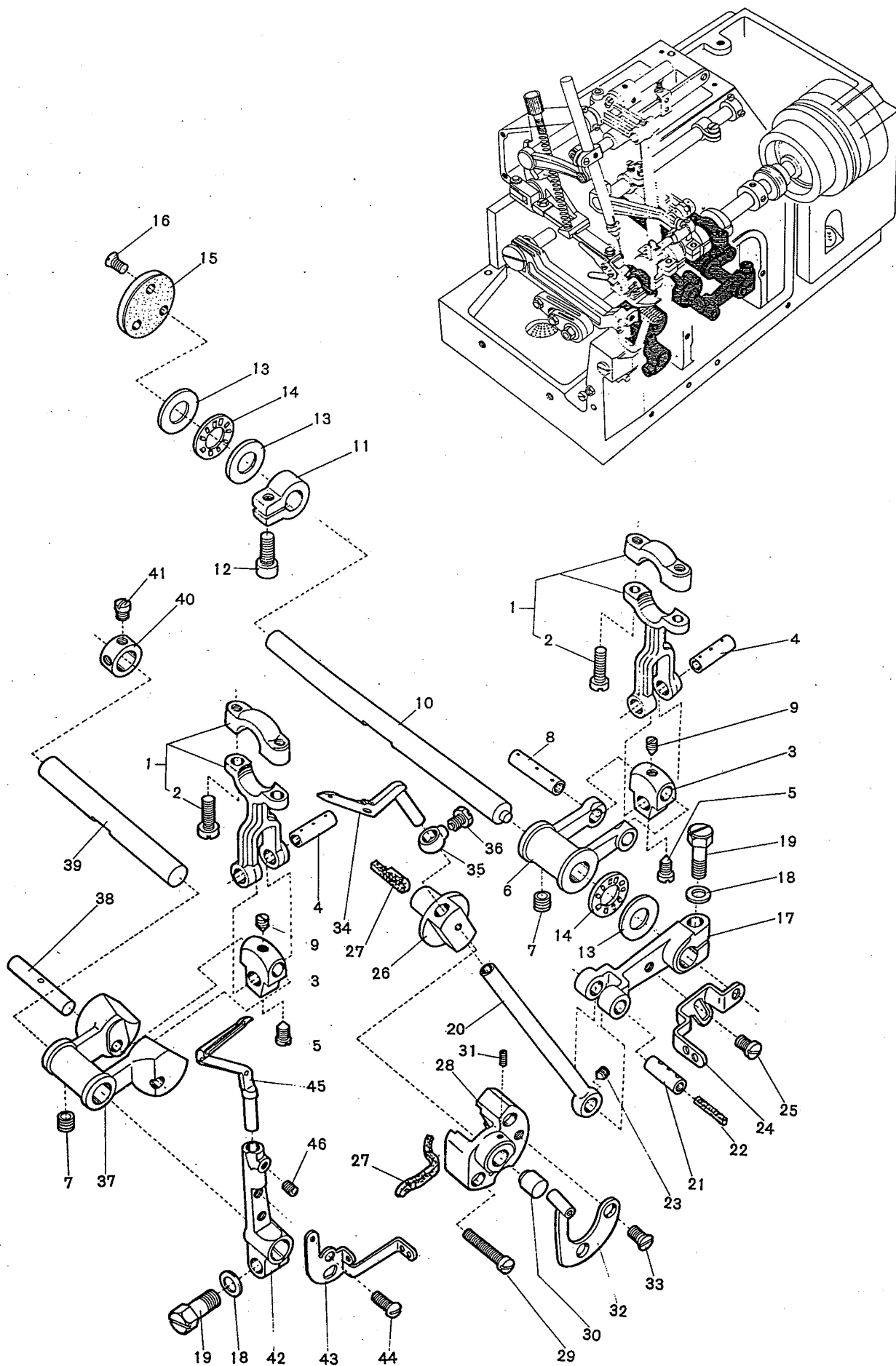
<u>Ref.No.</u>	<u>Parts.No.</u>	<u>Description</u>	<u>Amt. Req.</u>	<u>Remarks</u>
1	Y32774	Crank Shaft	1	
2	Y32780	Feed Driving Eccentric Key	1	
3	Y32773	Crank Shaft Counterweight (Middle)	1	
4	Y 7609	Screws for Y32773	2	
5	Y32820	Crank Shaft Thrust Collar	1	
6	Y 7650	Screws for Y32820, Y32925	4	
7	Y32925	Oil Pump Driving Worm	1	
8	Y32779	Crank Shaft Ball Bearing Retaining Washer	1	
9	Y32778	Crank Shaft Ball Bearing Retaining Ring (Inner)	1	
10	Y32775	Crank Shaft Ball Bearing Housing	1	
11	Y32777	Crank Shaft Ball Bearing	1	
12	Y32818	Crank Shaft Ball Bearing Retaining Ring (Outer)	1	
13	Y32817	Crank Shaft Ball Bearing Housing Cap	1	
14	Y 4441	Screws for Y32817	4	
15	Y32772	Pulley	1	
16	Y 3591	Main Screw for Y32772	1	
17	Y 4402	Cap Screw for Y32772	1	
18	Y 9203	Sub Screw for Y32772	1	
19	Y32781	Crank Shaft Bushing (Inner)	1	
20	Y 9209	Screws for Y32781, Y32793, Y32794, Y32795	4	
21	Y32782	Crank Shaft Bushing (Left)	1	
22	Y 3595	Screw for Y32782	1	
23	Y32904	Upper Knife Driving Shaft Bushing (Right)	1	
24	Y 3654	Screw for Y32904	1	
25	Y32905	Upper Knife Driving Shaft Bushing (Left)	1	
26	Y 2133	Screw for Y32905	1	
27	Y32906	Upper Knife Driving Shaft Oil Seal	1	
28	Y32648	Needle Bar Driving Crank Bushing (Right)	1	
29	Y 1457	Screws for Y32647, Y32648	2	
30	Y32650	Needle Bar Driving Crank Bushing Plug	1	
31	Y32647	Needle Bar Driving Crank Bushing (Left)	1	
32	Y32684	Needle Bar Driving Crank Oil Seal	1	
33	Y32653	Needle Bar Bushing (Lower)	1	
34	Y 304	Oil Wicks for Y32652, Y32653	2	
35	Y32652	Needle Bar Bushing (Upper)	1	
36	Y 526	Seal for Y32652	1	
37	Y 3636	Cap Screw for Y32652	1	
38	Y34518	Upper Looper Driving Shaft Bushing (Front)	1	
39	Y 1435	Screw for Y34518	1	
40	Y30291	Looper Shaft Oil Seals	2	
41	Y32793	Upper Looper Driving Shaft Bushing (Rear)	1	
42	Y32349	Upper Looper Bar Guide Bushing	1	
43	Y 1448	Screw for Y32802	1	
44	Y32350	Upper Looper Bar Guide Bushing Cap	1	
45	Y 527	Oil Felt for Y32868	1	
46	Y32794	Lower Looper Driving Shaft Bushing (Front)	1	
47	Y32795	Lower Looper Driving Shaft Bushing (Rear)	1	



NEEDLE BAR AND KNIFE DRIVING MECHANISM

5

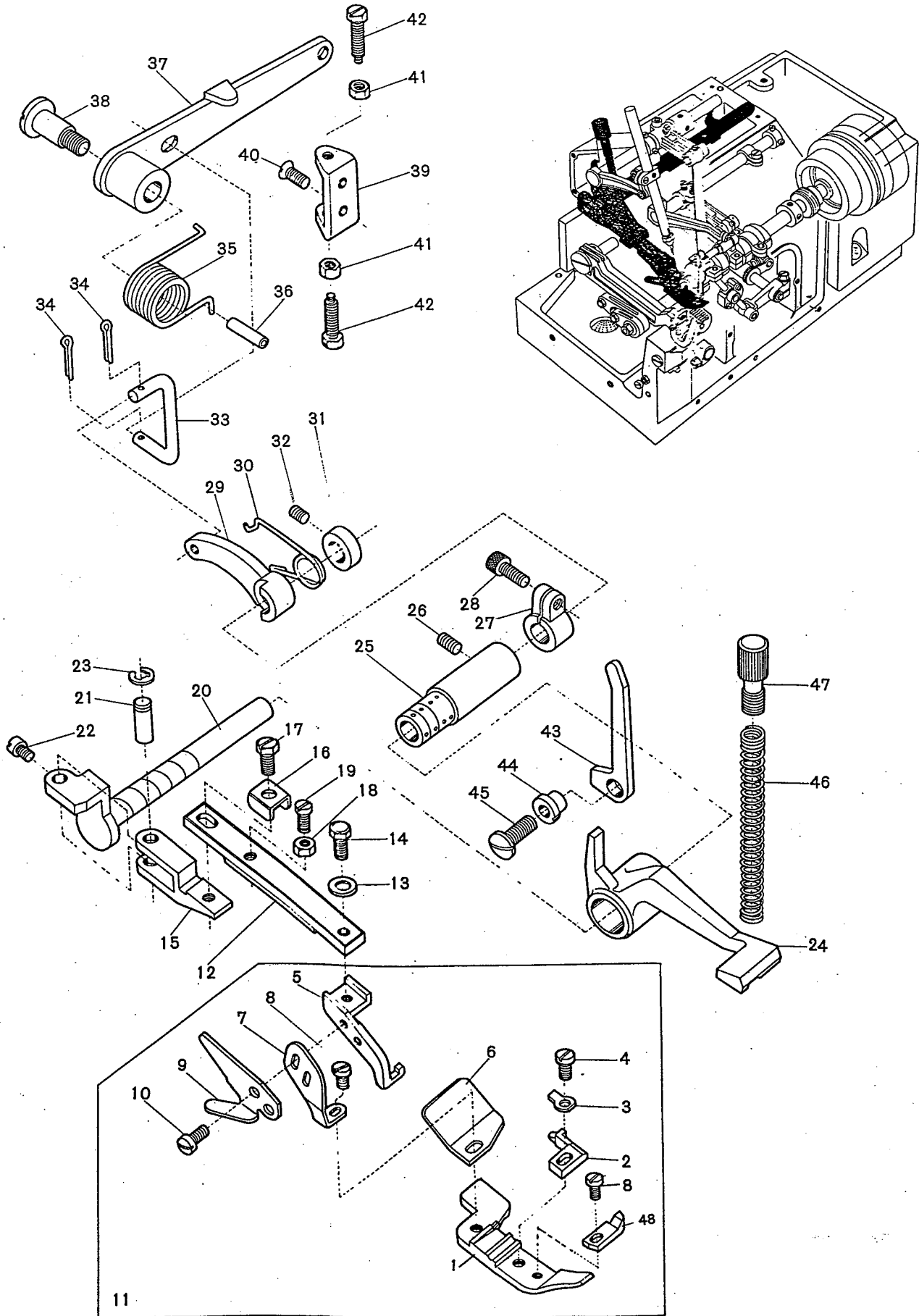
<u>Ref.No.</u>	<u>Parts.No.</u>	<u>Description</u>	<u>Amt. Req.</u>	<u>Remarks</u>
1	Y90320	Needle Bar Connection Link Pins	2	
2	Y 282	Gil Wicks for Y90320	2	
3	Y90321	Needle Bar Connection Link	1	
4	Y32651	Needle Bar Connecting Bracket	1	
5	Y 4313	Screw for Y90320 (Y32651)	1	
6	Y 4435	Screw for Y32651	1	
7	Y37122	Needle Bar for Single Needle	1	
8	Y 62	Needle Clamping Nut	1	
9	Y32645	Needle Bar Driving Crank	1	
10	Y 3311	Screw for Y90320 (Y32645)	1	
11	Y32646	Needle Bar Driving Crank Collars	2	
12	Y 9604	Screws for Y32646, Y32921, Y32900	6	
13	Y32921	Connecting Rod Pin	2	
14	Y32644	Needle Bar Driving Lever	1	
15	Y 9517	Two Screws for Y32644	1	
16	Y 5520	Main Screws for Y32644, Y32902, Y32910	3	
17	Y32662	Needle Bar Driving Crank Counterweight	1	
18	Y 3635	Screw for Y32662	2	
19	Y32670	Needle Bar Connecting Rod	1	
20	Y 5071	Screws for Y32670, Y32900	4	
21	Y32819	Connecting Rod Roller Bearings	2	
22	Y32913	Upper Knife Clamp	1	
23	Y32911	Upper Knife Holder	1	
24	Y32914	Upper Knife	1	
25	Y32910	Upper Knife Driving Arm	1	
26	Y 4437	Screws for Y32910, Y33870	3	
27	Y 1174	Screw for Y32911 (32910)	1	
28	Y 5508	Screw for Y32914	1	
29	Y32912	Upper Knife Holder Guide	1	
30	Y 7616	Screw for Y32912	1	
31	Y 723	Guide Pin for Y32912	1	
32	Y32909	Upper Knife Driving Arm Guide	1	
33	Y 3434	Screw for Y32909	1	
34	Y32519	Upper Knife Driving Arm Guide Plug	1	
35	Y32903	Upper Knife Driving Shaft	1	
36	Y32902	Upper Knife Driving Lever	1	
37	Y32920	Upper Knife Driving Shaft Collar (Left)	1	
38	Y 7311	Screw for Y32920	1	
39	Y32900	Upper Knife Driving Connecting Rod	1	
40	Y32667	Throat Plate #2	1	
41	Y 5401	Screw for Throat Plate	1	
42	Y32655	Needle Guard (Front)	1	
43	Y 4404	Screw for Y32655	1	
44	Y32601	Throat Plate Supporter	1	
45	Y 6662	Screws for Y32601	2	
46	Y32604	Cloth Plate Rubber Cushion	1	
47	Y32916	Lower Knife Holder	1	
48	Y 4591	Screw for Y32916	1	
49	Y32919	Lower Knife Holder Spring	1	
50	Y 5074	Screw for Y32919	1	
51	Y30421	Lower Knife	1	
52	Y32917	Lower Knife Clamp	1	
53	Y 7605	Screw for Y32917	1	
54	Y33871	Needle Guard (Rear)	1	
55	Y32899	Lower Knife Holder Locking Plate	1	
56	Y 4440	Screws for Y32899	2	
57	Y33873	Needle Guard Complete Set (Rear)	1	
58	Y33870	Needle Guard Holder	1	
59	Y 3638	Screw for Y33871	1	



LOOPER DRIVING MECHANISM

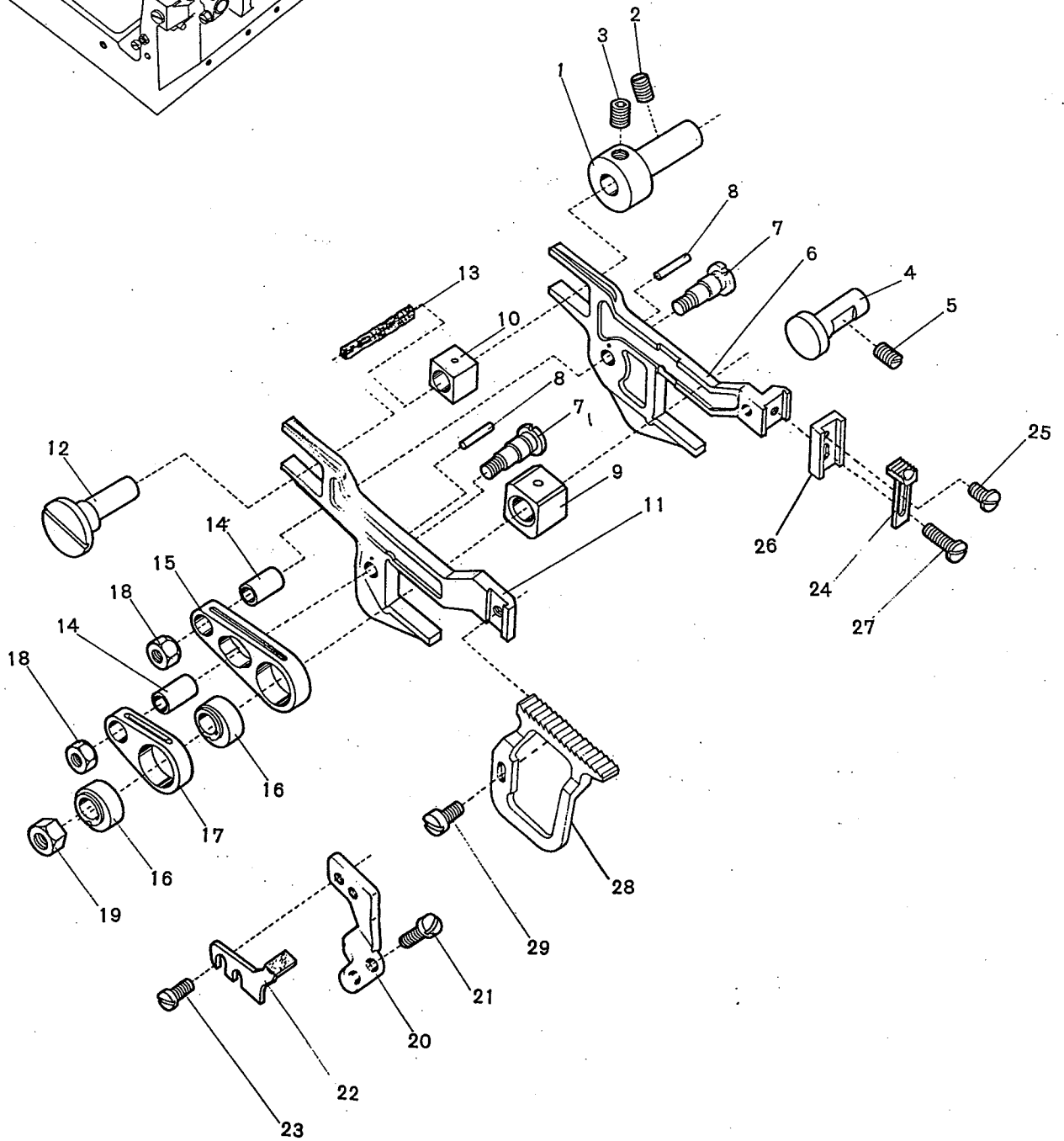
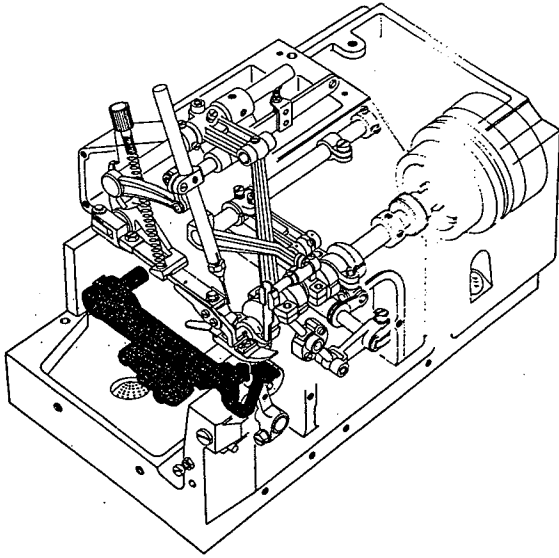
6

<u>Ref.No.</u>	<u>Parts.No.</u>	<u>Description</u>	<u>Amt. Req.</u>	<u>Remarks</u>
1	Y32783	Looper Driving Lever Connecting Rods	2	
2	Y 5071	Screws for Y32783	4	
3	Y32785	Looper Driving Lever Links	2	
4	Y32784	Looper Driving Lever Link Pins (Short)	2	
5	Y 9506	Screws for Y32784	2	
6	Y32787	Upper Looper Driving Lever	1	
7	Y 3635	Screws for Y32787, Y32815	4	
8	Y32786	Looper Driving Lever Link Pin (Long)	1	
9	Y 3404	Screws for Y32786, Y32816	2	
10	Y34517	Upper Looper Driving Shaft	1	
11	Y32792	Upper Looper Driving Shaft Collar	1	
12	Y 5550	Screw for Y32792	1	
13	Y32848	Upper Looper Driving Shaft Thrust Washers	3	
14	Y32849	Upper Looper Driving Shaft Thrust Rollers	2	
15	Y33013	Upper Looper Driving Shaft End Cap	1	
16	Y 5345	Screws for Y33013	3	
17	Y34104	Upper Looper Bar Driving Arm	1	
18	Y 520	Washers for Y34104, Y32789	2	
19	Y 5500	Screws for Y34104, Y32789	2	
20	Y32800	Upper Looper Bar	1	
21	Y32799	Upper Looper Bar Driving Arm Pin	1	
22	Y 282	Oil Wick for Y32799	1	
23	Y 3311	Screw for Y32799	1	
24	Y34224	Looper Thread Pull-Off (Right)	1	
25	Y 4358	Screw for Y34224	1	
26	Y32347	Upper Looper Bar Guide	1	
27	Y 304	Oil Wicks for Y32347, Y32800	2	
28	Y34516	Upper Looper Bar Guide Retainer	1	
29	Y 5004	Screws for Y34516	2	
30	Y32348	Upper Looper Bar Guide Thrust Pin	1	
31	Y 7650	Screw for Y32348	1	
32	Y34226	Upper Looper Thread Guide	1	
33	Y 9142	Screws for Y34226	2	
34	Y32807	Upper Looper	1	
35	Y32803	Upper Looper Holder Collar	1	
36	Y 5507	Screw for Y32803	1	
37	Y32815	Lower Looper Driving Lever	1	
38	Y32816	Lower Looper Driving Lever Pin	1	
39	Y32788	Lower Looper Driving Shaft	1	
40	Y30228	Lower Looper Shaft Collar	1	
41	Y 9604	Screws for Y30228	2	
42	Y32789	Lower Looper Holder Arm	1	
43	Y32959	Looper Thread Pull-Off (Left)	1	
44	Y 1326	Screws for Y32959	2	
45	Y32790	Lower Looper	1	
46	Y 3638	Screw for Y32790	1	



PRESSER FOOT MECHANISM

<u>Ref.No.</u>	<u>Parts.No.</u>	<u>Description</u>	<u>Amt. Req.</u>	<u>Remarks</u>
1	Y32736	Presser Foot	1	
2	Y32744	Presser Foot Stitch Tongue #1	1	
2-1	Y32743	Presser Foot Stitch Tongue #2, #3	1	
3	Y30619	Presser Foot Hinge Spring	1	
4	Y 5036	Screw for Stitch Tongue	1	
5	Y32741	Presser Foot Holder	1	
6	Y34535	Presser Foot Chain Shield	1	
7	Y 1228	Screw for Y34535	1	
8	Y 1230	Screw for Y32745	1	
9	Y32706	Chain Cutting Knife	1	
10	Y 4404	Screws for Y32706	2	
11	Y32739	Presser Foot Complete Set #2	1	
12	Y32725	Foot Carrier	1	
13	Y 538	Washer for Y5509	1	
14	Y 5509	Screw for Presser Foot	1	
15	Y32724	Foot Carrier Hinge	1	
16	Y32728	Foot Carrier Washer	1	
17	Y 5541	Screw for Y32725	1	
18	Y 335	Nut for Y4357	1	
19	Y 1170	Stop Screw for Presser Foot	1	
20	Y32722	Foot Lifter Lever Shaft	1	
21	Y32723	Foot Lifter Hinge Pin	1	
22	Y 1186	Screw for Y32723	1	
23	Y33024	Foot Lifter Hinge Pin Retaining Ring	1	
24	Y32721	Presser Foot Positioning Arm	1	
25	Y32720	Foot Lifter Bushing	1	
26	Y 2022	Screw for Y32720	1	
27	Y32718	Foot Lifter Latch Collar	1	
28	Y 5550	Screw for Y32718	1	
29	Y32717	Intermediate Lever	1	
30	Y32729	Intermediate Lever Spring	1	
31	Y32719	Foot Lifter Small Collar	1	
32	Y 1459	Screw for Y32719	1	
33	Y32714	Foot Lifter Lever Connecting Link	1	
34	Y32715	Cotter Pins	2	
35	Y32713	Foot Lifter Lever Spring	1	
36	Y 690	Latch Pin for Y32713	1	
37	Y32711	Foot Lifter Lever	1	
38	Y 6000	Screw for Y32711	1	
39	Y32716	Foot Lifter Lever Stopper	1	
40	Y 9127	Screws for Y32716	2	
41	Y 334	Nuts for Y32711	2	
42	Y 5505	Adjust Screws for Y32711	2	
43	Y32727	Presser Foot Release Lever	1	
44	Y32420	Presser Foot Release Lever Bushing	1	
45	Y 4635	Screw for Y32420	1	
46	Y32726	Presser Spring	1	
47	Y 6401	Presser Spring Adjusting Screw	1	
48	Y32745	Presser Foot Chip Guard	1	

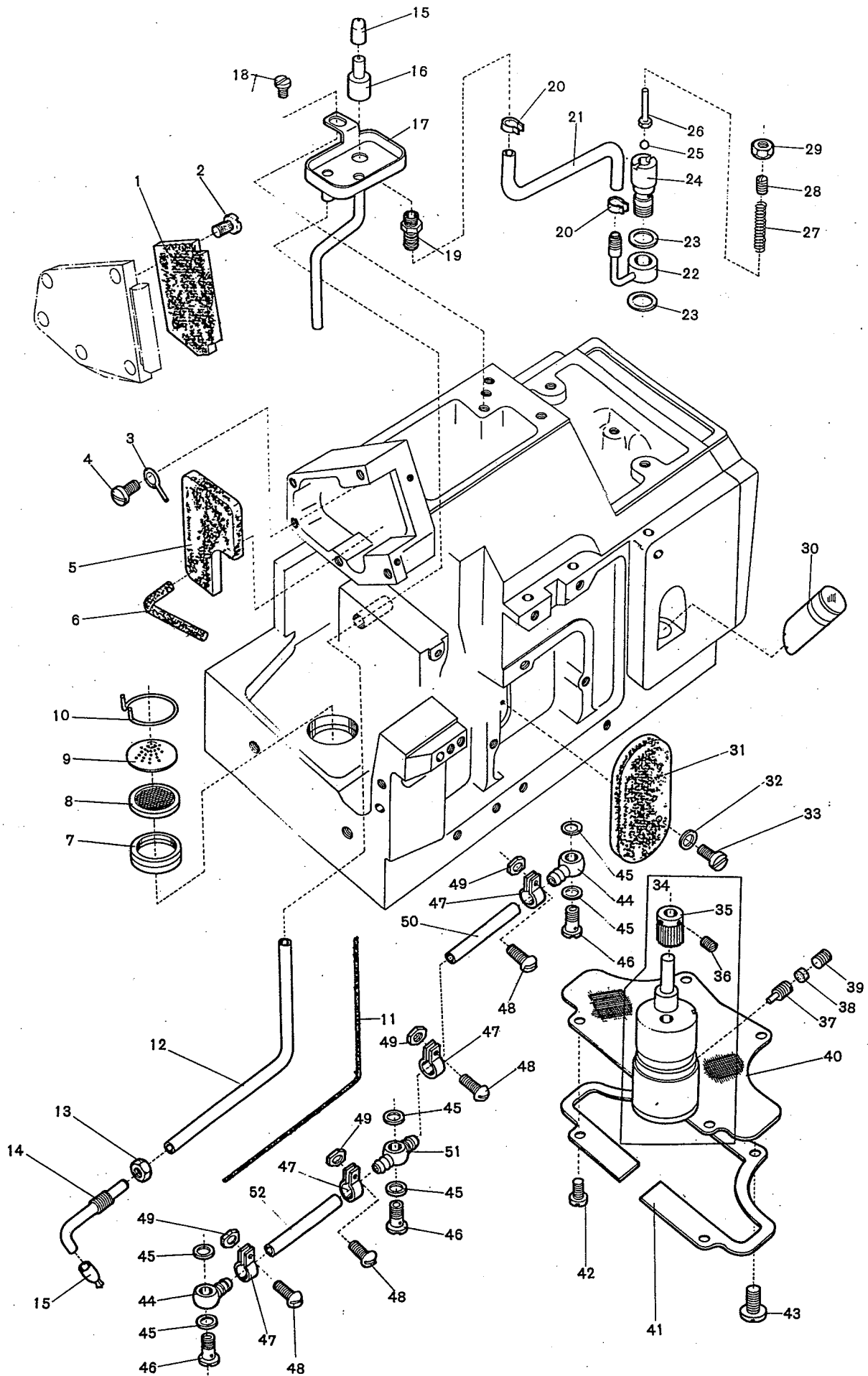


FEED DRIVING MECHANISM

<u>Ref.No.</u>	<u>Parts.No.</u>	<u>Description</u>	<u>Amt.Req.</u>	<u>Remarks</u>
1	Y34134	Feed Bar Guide (Rear)	1	
2	Y 3632	Screw for Y34134	1	
3	Y 3635	Screw for Y32866	1	
4	Y32858	Feed Bar Guide (Right)	1	
5	Y 9200	Screw for Y32858	1	
6	Y32857	Main Feed Bar	1	
7	Y32864	Feed Bar Driving Studs	2	
8	Y 722	Cotters for Y32864	2	
9	Y32854	Feed Lifter Block	1	
10	Y32867	Feed Bar Guide Block	1	
11	Y32856	Differential Feed Bar	1	
12	Y32866	Feed Adjusting Pin	1	
13		Oil Wick for Y32866	1	
14	Y32853	Feed Bar Driving Connection Bushings	2	
15	Y32852	Main Feed Bar Driving Connection	1	
16		Feed Driving Eccentrics (See Below The Table)	2	
17	Y32851	Differential Feed Bar Driving Connection	1	
18	Y 451	Nuts for Y32864	2	
19	Y 20	Nut for Feed Driving Eccentric	1	
20	Y32381	Feed Bar Guide (Left)	1	
21	Y 4440	Screws for Y32381	2	
22	Y34059	Throat Plate Stay	1	
23	Y 5000	Screws for Y34059	2	
24	Y32883	Chaining Feed Dog	1	
25	Y 9730	Screw for Chaining Feed Dog	1	
26	Y32873	Auxiliary Feed Dog Holder	1	
27	Y 7609	Screw for Main Feed Dog	1	
28	Y32871	Plain Feed Dog	1	
29	Y 4353	Screw for Differential Feed Dog	1	

Feed Driving Eccentrics Table

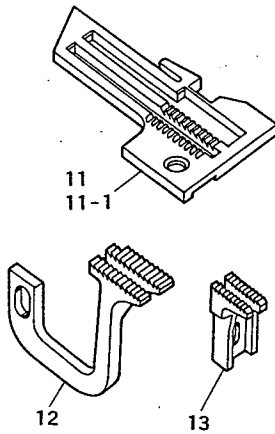
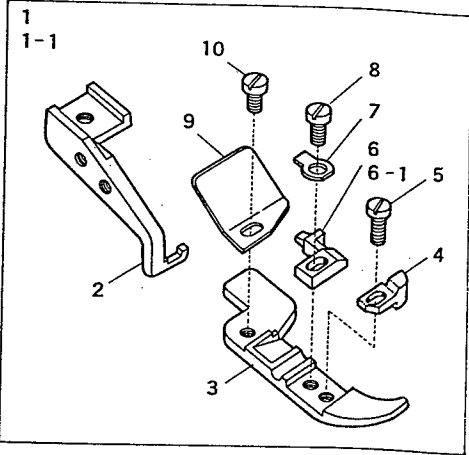
<u>Parts No.</u>	<u>Stitches Per Inch</u>
Y32821	5
Y32822	6
Y32835	7
Y32823	8
Y32824	9
Y32825	10
Y32836	11
Y32826	12
Y32827	13
Y32828	14
Y32837	15
Y32838	16
Y32829	17
Y32839	18
Y32830	19
Y32840	20
Y32841	22
Y32842	24
Y32832	26
Y32843	28
Y32844	30
Y32845	40
Y32833	50
Y32846	70
Y32847	100



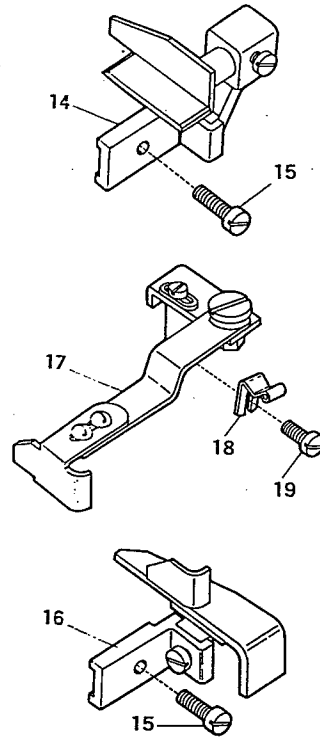
OIL LUBRICATING SYSTEM

<u>Ref.No.</u>	<u>Parts.No.</u>	<u>Description</u>	<u>Amt. Req.</u>	<u>Remarks</u>
1	Y32685	Needle Bar Oiling Felt (Left)	1	
2	Y 9853	Screws for Y32685	2	
3	Y32812	Needle Bar Oiling Felt Retainer	1	
4	Y 9604	Screw for Y32812	1	
5	Y32649	Needle Bar Oiling Felt (Right)	1	
6		Oil Wick for Needle Bar Connection Link	1	
7	Y32934	Round Oil Filter Holder Ring	1	
8	Y32931	Round Oil Filter Screen (Fine Mesh)	1	
9	Y32933	Round Oil Filter Screen (Coarse Mesh)	1	
10	Y32898	Round Oil Filter Screen Clamp	1	
11		Oil Wick for Feed Driving Eccentric	1	
12	Y32483	Feed Bar Driving Connection Oil Tube	1	
13	Y 419	Nut for Y32480	1	
14	Y32480	Feed Bar Driving Connection Oil Nozzle	1	
15	Y37697	Oil Nozzle Caps	2	
16	Y32479	Oil Sight Top Nozzle	1	
17	Y32476	Oil Receiver	1	
18	Y 9604	Screw for Y32476	1	
19	Y 9909	Oil Tube Fitting Nut	1	
20	Y37675	Oil Tube Clamps (Small)	2	
21	Y32850	Oil Tube 150	1	
22	Y32376	Oil Relief Valve Fitting Tube	1	
23	Y 509	Seals for Y32376	2	
24	Y32938	Oil Relief Valve	1	
25	Y80503	Oil Relief Ball	1	
26	Y30748	Oil Relief Valve Spring Guide	1	
27	Y30745	Oil Relief Valve Spring	1	
28	Y 6861	Adjust Screw for Y30745	1	
29	Y 419	Nut for Y30745	1	
30	Y32417	Oil Sight Gauge	1	
31	Y32806	Upper Looper Bar Oiling Felt	1	
32	Y 550	Washers for Y32806	2	
33	Y 4353	Screws for Y32806	2	
34	Y32929	Oil Pump Complete Set	1	
35	Y30711	Oil Pump Driving Worm Gear	1	
36	Y 1459	Screws for Y30711	2	
37	Y 6330	Screw for Y32929	1	
38	Y 926	Seal for Y32929	1	
39	Y 9503	Screw for Y32929	1	
40	Y32935	Under Pump Oil Filter Screen	1	
41	Y32937	Under Pump Oil Filter Screen Clamp	1	
42	Y 4358	Screws for Y32937	2	
42	Y 4351	Screws for Y32937	2	
44	Y37669	Oil Tube Fittings One Way End	2	
45	Y 567	Seals for Y37668, Y37669	6	
46	Y 7668	Oil Tube Fitting Studs	3	
47	Y32944	Oil Tube Clamps	4	
48	Y 5133	Screws for Y32944	4	
49	Y 331	Nuts for Y32944	4	
50	Y32948	Oil Tube (47mm)	1	
51	Y37668	Oil Tube Fitting Two Way End	1	
52	Y32949	Oil Tube (58mm)	1	

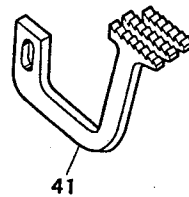
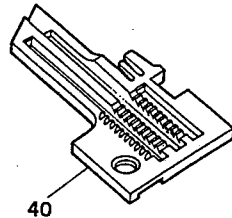
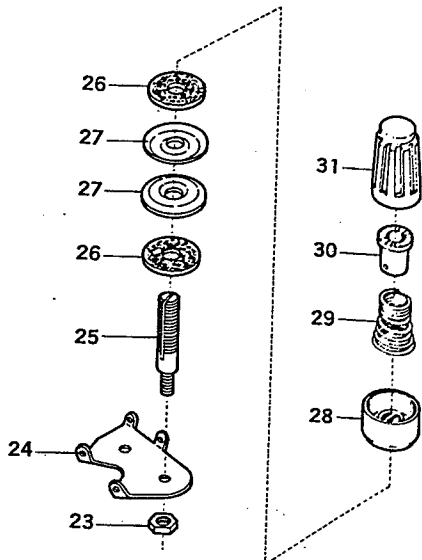
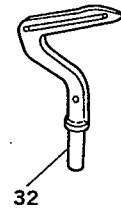
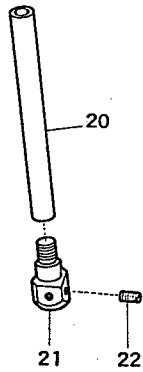
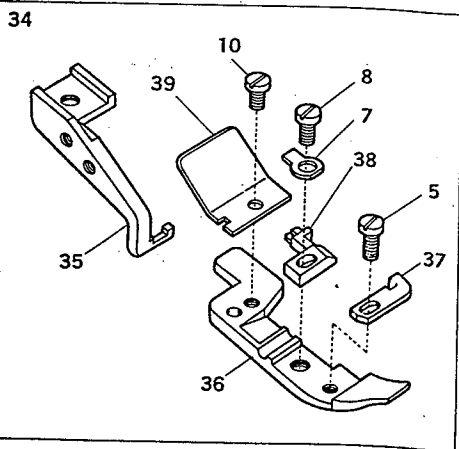
600-2,-3



EDGE GUIDE

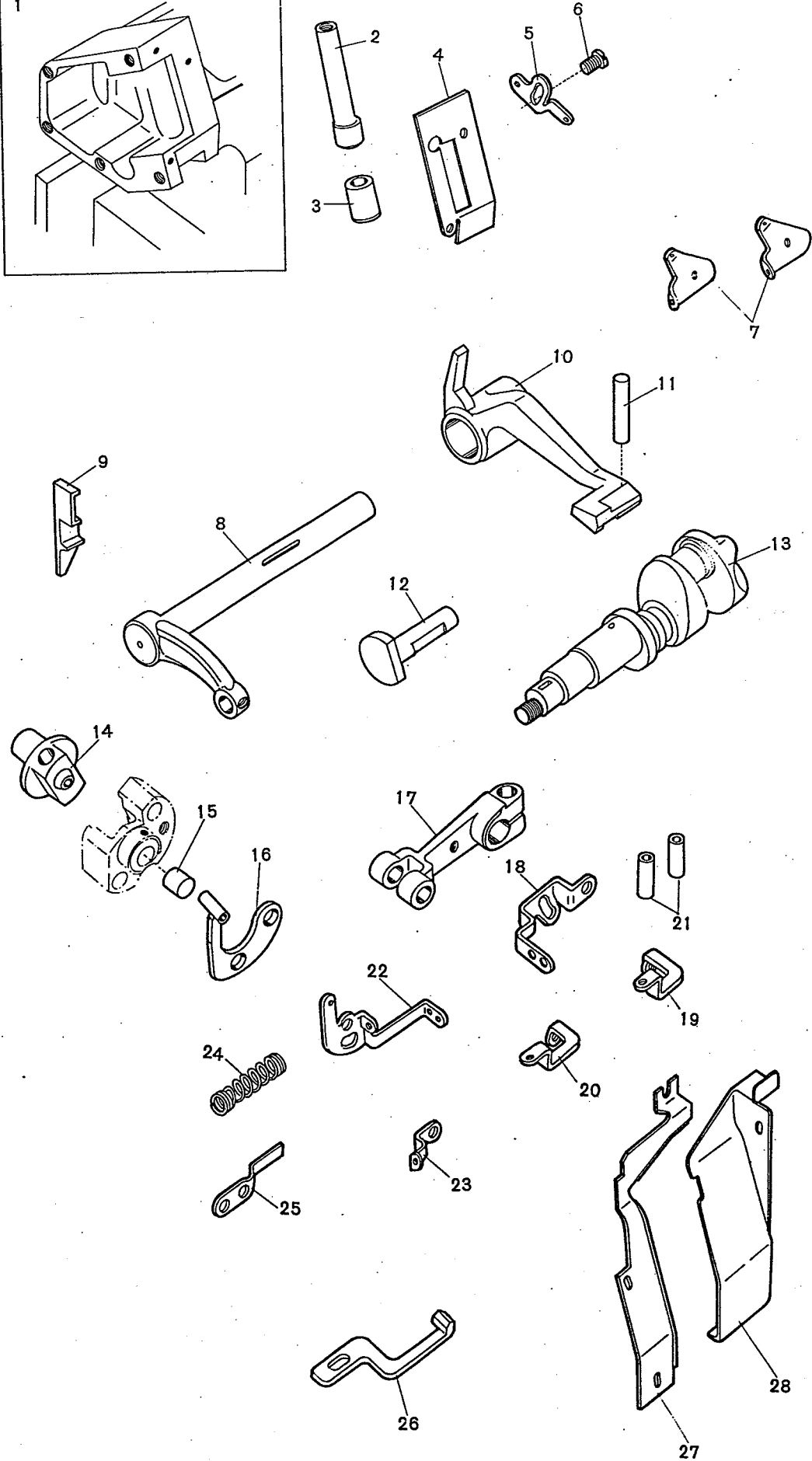
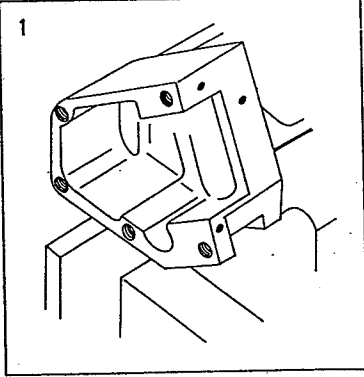


600-4



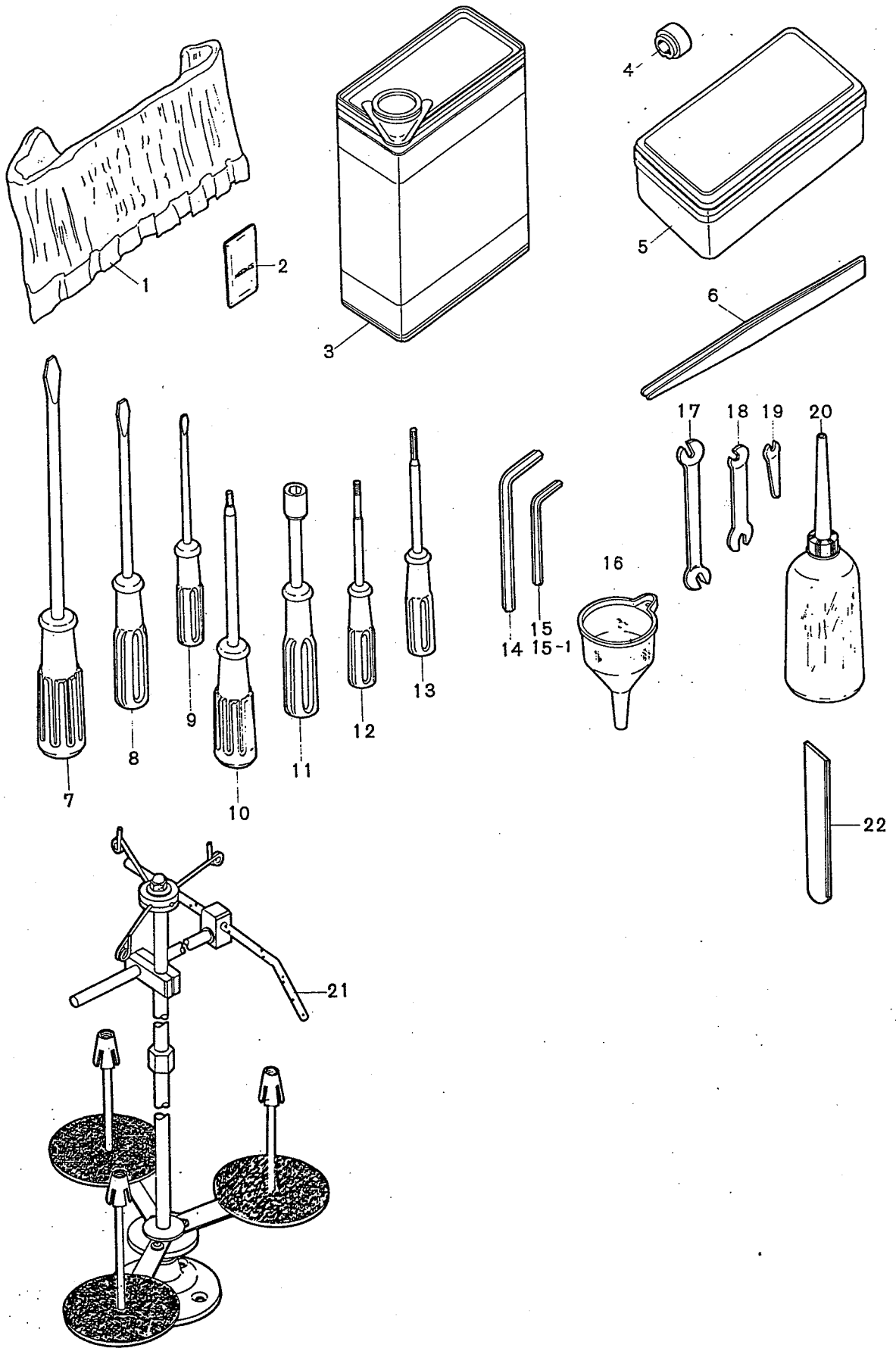
600-2,-3,-4 EXCLUSIVE PARTS

<u>Ref.No.</u>	<u>Parts.No.</u>	<u>Description</u>	<u>Amt. Req.</u>	<u>Remarks</u>
1	Y32747	Presser Foot Complete Set for 600-2	1	
1-1	Y32748	Presser Foot Complete Set for 600-3	1	
2	Y32741	Presser Foot Holder	1	
3	Y32708	Presser Foot for 600-2, -3	1	
4	Y32710	Presser Foot Chip Guard	1	
5	Y 1230	Screw for Y32710	1	
6	Y32744	Presser Foot Stitch Tongue for 600-2	1	
6-1	Y32743	Presser Foot Stitch Tongue for 600-3	1	
7	Y30619	Presser Foot Hinge Spring	1	
8	Y 5036	Screw for Y30619	1	
9	Y34535	Presser Foot Chain Shield	1	
10	Y 1228	Screw for Y34535	1	
11	Y32671	Throat Plate for 600-2	1	
11-1	Y32673	Throat Plate for 600-3	1	
12	Y33816	Differential Feed Dog for 600-2, -3	1	
13	Y33814	Main Feed Dog for 600-2, -3	1	
14	Y37948	Edge Guide Complete Set (Large)	1	
15	Y 4358	Screw for Y37948, Y37962	1	
16	Y37962	Edge Guide Complete Set (Small)	1	
17	Y33751	Edge Guide Complete Set (Swing)	1	
18	Y33400	Front Cover Latch Spring	1	
19	Y 7405	Screw for Y33400	1	
20	Y37372	Needle Bar	1	
21	Y37373	Needle Holder	1	
22	Y 3637	Screws for Needle	2	
23	Y 340	Nut for Y6543	1	
24	Y34763	Needle Thread Tension Disc Eyelet	1	
25	Y 6543	Tension Post	1	
26	Y 286	Felts for Tension Disc	2	
27	Y01111	Tension Discs	2	
28	Y37635	Tread Tension Spring Retainer	1	
29	Y32971	Needle Thread Tension Spring	1	
30	Y30254	Tension Spring Bushing	1	
31	Y34774	Tread Tension Spring Cap	1	
32	Y32416	Lower Looper	1	
33	Y32540	Upper Looper	1	
34	Y32579	Presser Foot Complete Set	1	
35	Y32546	Presser Foot Holder	1	
36	Y32494	Presser Foot	1	
37	Y32493	Presser Foot Chip Guard	1	
38	Y32551	Presser Foot Stitch Tongue	1	
39	Y32746	Presser Foot Chain Shield	1	
40	Y32571	Throat Plate	1	
41	Y33819	Differential Feed Dog (Large Teeth)	1	
42	Y33818	Main Feed Dog (Large Teeth)	1	
43	Y32557	Auxiliary Feed Dog (Large Teeth)	1	



600-4 EXCLUSIVE PARTS

<u>Ref.No.</u>	<u>Parts.No.</u>	<u>Description</u>	<u>Amt.Req.</u>	<u>Remarks</u>
1	Y32530	Frame	1	
2	Y32532	Needle Bar Bushing (Upper)	1	
3	Y32533	Needle Bar Bushing (Lower)	1	
4	Y32572	Needle Bar Connecting Link Cover	1	
5	Y32575	Auxiliary Needle Thread Eyelet	1	
6	Y 4358	Screw for Y32575	1	
7	Y32585	Looper Thread Tension Disc Eyelets	2	
8	Y32534	Needle Bar Driving Crank	1	
9	Y32556	Upper Knife Clamp	1	
10	Y32552	Presser Foot Positioning Arm	1	
11	Y32543	Presser Spring Guide Pin	1	
12	Y32554	Upper Knife Driving Arm Guide	1	
13	Y32531	Crank Shaft	1	
14	Y34515	Upper Looper Bar Guide	1	
15	Y34587	Upper Looper Bar Guide Thrust Pin	1	
16	Y32374	Upper Looper Thread Guide	1	
17	Y34514	Upper Looper Bar Driving Arm	1	
18	Y32373	Looper Thread Pull-Off (Right)	1	
19	Y32580	Looper Thread Eyelet (Right)	1	
20	Y32582	Looper Thread Eyelet (Left)	1	
21	Y32577	Looper Thread Tubes	2	
22	Y32583	Looper Thread Pull-Off (Left)	1	
23	Y32584	Lower Looper Thread Eyelet	1	
24	Y32490	Lower Knife Holder Spring	1	
25	Y32488	Lower Knife Holder Locking Plate	1	
26	Y32545	Needle Guard (Front) for DCZ-222, -223	1	
27	Y32576	Chip Guard (Fix)	1	
28	Y32498	Chip Guard (Open)	1	



ACCESSORY

<u>Ref.No.</u>	<u>Parts.No.</u>	<u>Description</u>	<u>Amt. Req.</u>	<u>Remarks</u>
1	Y34767	Machine Cover	1	
2		Needles DCX1	10	
3		Oil	1	
4		Feed Driving Eccentric	3	
5	Y34766	Attachment Box	1	
6	Y37909	Thread Tweezers	1	
7	Y37901	Screw Driver (Large)	1	
8	Y37902	Screw Driver (Medium)	1	
9	Y37903	Screw Driver (Small)	1	
10	Y37923	Hexagon Screw Driver (1.98)	1	
11	Y37946	Socket Wrench (9.52)	1	
12	Y37947	Feed Driving Eccentric Extractor	1	
13	Y37919	Hexagon Screw Driver (Two Needle Only) (1.56)	1	
14	Y37922	Hexagon Wrench Key (Large) (4.76)	1	
15	Y37916	Hexagon Wrench Key (Small)	1	
15-1	Y37924	Hexagon Wrench Key (1.56)	1	
16	Y34769	Funnel	1	
17	Y37945	Wrench (Large) (7.14X7.94)	1	
18	Y37915	Wrench (Medium) (7.14X7.14)	1	
19	Y37944	Wrench (Small) (4.9)	1	
20	Y34768	Oiler	1	
21	Y34770	Thread Stand 3 Spool Type Complete Set 600-1	1	
	Y34771	Thread Stand 4 Spool Type Complete Set 600-4	1	
22	Y30421	Lower Knife	1	

INDEX

Parts.No.	Page No.	Ref.No.	Parts.No.	Page No.	Ref.No.	Parts.No.	Page No.	Ref.No.
Y 10	3	27				Y 6662	5	45
Y 20	8	19	T3632	8	2	Y 6861	9	28
Y 62	5	8	T3635	5	18	Y 6910	3	37
Y 282	5	2	T3635	6	7	Y 7002	3	14
Y 282	6	22	T3635	8	3	Y 7302	1	6
Y 286	2	10	T3636	4	37	Y 7311	5	38
Y 286	3	3	T3637	10	22	Y 7405	10	19
Y 286	10	26	T3638	6	46	Y 7605	1	11
Y 304	4	34	T3638	5	59	Y 7605	5	53
Y 304	6	27	T3654	4	24	Y 7609	4	4
Y 331	9	49	Z4313	5	5	Y 7609	8	27
Y 334	2	31	Z4351	3	30	Y 7616	5	30
Y 334	7	41	Z4351	2	20	Y 7650	4	6
Y 335	7	18	Z4351	9	43	Y 7650	6	31
Y 340	10	23	Z4353	1	9	Y 7650	9	46
Y 419	9	13	Z4353	8	29	Y 7672	2	33
Y 419	9	29	Z4353	9	33	Y 9127	7	40
Y 451	8	18	Z4358	2	41	Y 9142	6	33
Y 509	9	23	Z4358	6	25	Y 9150	1	2
Y 520	6	18	Z4358	9	42	Y 9150	2	2
Y 526	4	36	Z4358	10	15	Y 9150	2	6
Y 527	4	45	Z4358	12	6	Y 9150	3	23
Y 532	3	41	Z4402	4	17	Y 9200	8	5
Y 538	7	13	Z4404	5	43	Y 9203	4	18
Y 550	2	23	Z4404	7	10	Y 9209	9	20
Y 550	9	32	Z4435	5	6	Y 9503	4	39
Y 563	3	34	Z4437	5	26	Y 9506	6	5
Y 567	3	19	Z4438	3	10	Y 9517	5	15
Y 567	3	45	Z4440	1	23	Y 9604	5	12
Y 567	9	45	Z4440	2	24	Y 9604	6	41
Y 610	2	16	Z4440	2	37	Y 9604	9	4
Y 690	7	36	Z4440	5	56	Y 9604	9	18
Y 698	2	35	Z4440	8	21	Y 9730	8	25
Y 722	8	8	Z4441	4	14	Y 9852	3	46
Y 723	5	31	Z4591	5	48	Y 9853	9	2
Y 873	1	35	Z4635	7	45	Y 9909	9	19
Y 874	1	35-1	Y5000	8	23	Y01111	10	27
Y 875	1	35-2	Y5004	6	29	Y01111	3	4
Y 926	9	38	Y5036	7	4	Y01111	2	11
Y1092	3	17	Y5036	10	8	Y30020	12	22
Y1156	2	34	Y5036	13	22	Y30021	12	24
Y1170	7	19	Y5062	3	20	Y30022	12	25
Y1174	5	27	Y5071	5	20	Y30023	12	23
Y1186	7	22	Y5071	6	2	Y30126	1	16
Y1222	1	25	Y5074	5	50	Y30222	6	40
Y1228	7	7	Y5075	3	48	Y30254	2	14
Y1228	3	25	Y5077	2	17	Y30254	3	7
Y1228	10	10	Y5089	1	33	Y30254	10	30
Y1230	7	8	Y5089	2	29	Y30291	4	40
Y1230	10	5	Y5095	1	18	Y30421	5	51
Y1230	13	19	Y5131	1	28	Y30421	18	26
Y1326	1	26	Y5133	9	48	Y30619	7	3
Y1326	3	12	Y5345	6	16	Y30619	10	7
Y1326	6	44	Y5401	5	41	Y30619	13	21
Y1330	1	24	Y5492	2	18	Y30711	9	35
Y1330	3	42	Y5500	6	19	Y30745	9	27
Y1333	2	27	Y5505	7	42	Y30748	9	26
Y1435	4	39	Y5507	6	36	Y32347	6	26
Y1448	4	43	Y5508	5	28	Y32348	6	30
Y1457	4	29	Y5509	7	14	Y32358	3	43
Y1459	2	39	Y5520	5	16	Y32365	2	21
Y1459	7	32	Y5541	7	17	Y32373	12	18
Y1459	9	36	Y5550	6	12	Y32374	12	16
Y2022	7	26	Y5550	7	28	Y32375	3	33
Y2133	4	26	Y6000	7	38	Y32376	9	22
Y3311	5	10	Y6004	3	28	Y32377	3	35
Y3311	6	23	Y6040	1	17	Y32381	8	20
Y3404	6	9	Y6262	3	36	Y32416	10	32
Y3434	2	43	Y6330	9	37	Y32417	9	30
Y3434	5	33	Y6401	7	47	Y32420	7	44
Y3591	4	16	Y6542	3	2	Y32421	3	47
Y3595	4	22	Y6543	10	25	Y32423	3	13
			Y6544	2	9			

INDEX

<u>Parts.No.</u>	<u>Page No.</u>	<u>Ref.No.</u>	<u>Parts.No.</u>	<u>Page No.</u>	<u>Ref.No.</u>	<u>Parts.No.</u>	<u>Page No.</u>	<u>Ref.No.</u>
Y32424	3	12	Y32625	3	26	Y32784	6	4
Y32425	3	15	Y32626	3	29	Y32785	6	2
Y32426	3	16	Y32627	3	11	Y32786	6	8
Y32475	3	24	Y32628	1	19	Y32787	6	6
Y32476	9	17	Y32629	1	20	Y32788	6	39
Y32479	9	16	Y32640	1	21	Y32789	6	42
Y32480	9	14	Y32644	5	14	Y32790	6	45
Y32483	9	12	Y32645	5	9	Y32792	6	11
Y32484	2	36	Y32646	5	11	Y32793	4	41
Y32488	12	25	Y32647	4	31	Y32794	4	46
Y32490	12	24	Y32648	4	28	Y32795	4	47
Y32493	10	37	Y32649	9	5	Y32799	6	21
Y32494	10	36	Y32650	4	30	Y32800	6	20
Y32498	12	28	Y32651	5	4	Y32802	4	42
Y32519	5	34	Y32652	4	35	Y32803	6	35
Y32530	12	1	Y32653	4	33	Y32806	9	31
Y32531	12	13	Y32654	5	54	Y32807	6	34
Y32532	12	2	Y32655	5	42	Y32812	9	3
Y32533	12	3	Y32660	3	38	Y32815	6	37
Y32534	12	2	Y32662	5	17	Y32816	6	38
Y32539	13	33	Y32663	3	9	Y32817	4	13
Y32540	10	33	Y32667	5	40-1	Y32818	4	12
Y32541	13	31	Y32670	5	19	Y32819	5	21
Y32542	13	14	Y32671	10	11	Y32820	4	5
Y32543	12	11	Y32673	10	11-1	Y32848	6	13
Y32544	12	26	Y32684	4	32	Y32849	6	14
Y32545	12	26-1	Y32685	9	1	Y32850	9	21
Y32546	10	35	Y32706	7	9	Y32851	8	17
Y32551	10	32	Y32708	10	3	Y32852	8	15
Y32552	12	10	Y32710	10	4	Y32853	8	14
Y32554	12	12	Y32711	7	37	Y32854	8	9
Y32556	12	9	Y32713	7	35	Y32856	8	11
Y32557	10	43	Y32714	7	33	Y32857	8	6
Y32558	13	4	Y32715	7	34	Y32858	8	4
Y32570	13	26	Y32716	7	39	Y32864	8	7
Y32571	10	40	Y32717	7	29	Y32866	8	12
Y32572	12	4	Y32718	7	27	Y32867	8	10
Y32575	12	5	Y32719	7	31	Y32868	4	44
Y32576	12	27	Y32720	7	25	Y32871	8	28
Y32577	12	21	Y32721	7	24	Y32873	10	27
Y32577	2	7	Y32722	7	20	Y32873	8	26
Y32579	10	34	Y32723	7	21	Y32883	8	24
Y32580	12	19	Y32724	7	15	Y32892	10	25
Y32582	12	20	Y32725	7	12	Y32898	9	10
Y32583	12	22	Y32726	7	46	Y32899	5	55
Y32584	12	23	Y32727	7	43	Y32900	5	39
Y32585	12	7	Y32728	7	16	Y32902	5	36
Y32586	2	30	Y32729	7	30	Y32903	5	35
Y32597	2	3	Y32736	7	1	Y32904	4	23
Y32599	2	32	Y32739	7	11	Y32905	4	25
Y32600	1	34	Y32741	7	5	Y32906	4	27
Y32601	5	44	Y32741	10	2	Y32909	5	32
Y32602	1	10	Y32743	7	2-1	Y32910	5	25
Y32603	1	12	Y32743	10	6-1	Y32911	5	23
Y32604	1	15	Y32744	7	2	Y32912	5	29
Y32604	5	46	Y32744	10	6	Y32913	5	22
Y32605	2	28	Y32745	10	10	Y32914	5	24
Y32606	1	29	Y32745	7	48	Y32916	5	47
Y32607	1	30	Y32746	10	39	Y32917	5	52
Y32608	1	31	Y32747	10	1	Y32919	5	49
Y32609	2	40	Y32748	10	1	Y32920	5	37
Y32610	1	22	Y32772	4	15	Y32921	5	13
Y32611	1	27	Y32773	4	3	Y32924	2	25
Y32612	2	42	Y32774	4	1	Y32925	4	7
Y32615	2	5	Y32775	4	10	Y32929	9	34
Y32617	1	1	Y32777	4	11	Y32930	2	26
Y32618	1	3	Y32778	4	9	Y32931	9	8
Y32619	1	4	Y32779	4	8	Y32933	9	9
Y32620	1	5	Y32780	4	2	Y32934	9	7
Y32622	1	7	Y32781	4	19	Y32935	9	40
Y32623	1	8	Y32782	4	21	Y32937	9	41
Y32624	2	22	Y32783	6	1	Y32938	9	24

<u>Parts.No.</u>	<u>Page No.</u>	<u>Ref.No.</u>	<u>Parts.No.</u>	<u>Page No.</u>	<u>Ref.No.</u>
Y32944	9	47	Y37697	9	15
Y32948	9	50	Y37901	12	7
Y32949	9	52	Y37902	12	8
Y32952	3	6	Y37903	12	9
Y32955	3	40	Y37907	12	28
Y32959	6	43	Y37909	12	6
Y32960	3	44	Y37911	12	29
Y32962	3	1	Y37912	12	27
Y32962	2	8	Y37915	12	18
Y32963	2	38	Y37916	12	15
Y32965	2	15	Y37919	12	13
Y32965	3	8	Y37922	12	14
Y32965	13	13	Y37923	12	10
Y32968	13	5	Y37924	12	35
Y32971	2	13	Y37944	12	19
Y32971	10	29	Y37945	12	17
Y32973	3	32	Y37946	12	11
Y32975	3	31	Y37947	12	12
Y32976	3	21	Y37948	10	14
Y32977	3	22	Y37962	10	16
Y33013	6	15	Y20503	9	25
Y33024	7	23	Y90320	5	1
Y33400	10	18	Y90321	5	3
Y33751	10	17			
Y33810	8	28			
Y33811	8	26			
Y33812	8	28-1			
Y33813	10	32			
Y33814	10	13			
Y33816	10	12			
Y33817	10	32-2			
Y33818	10	33-1			
Y33818	10	42			
Y33819	10	41			
Y33870	5	58			
Y33871	5	54			
Y33873	5	57			
Y34010	3	39			
Y34059	8	22			
Y34104	6	17			
Y34134	8	1			
Y34224	6	24			
Y34226	6	32			
Y34514	12	17			
Y34515	12	28			
Y34516	6	28			
Y34517	6	10			
Y34518	4	38			
Y34535	7	6			
Y34535	10	9			
Y34587	12	15			
Y34760	1	32			
Y32761	2	4			
Y34762	2	1			
Y34763	10	24			
Y34764	2	19			
Y34766	12	5			
Y34767	12	1			
Y34768	12	20			
Y34769	12	16			
Y34770	12	21-1			
Y34771	12	21-2			
Y34774	10	31			
Y37122	5	7			
Y37372	10	20			
Y37373	10	21			
Y37635	2	12			
Y37635	3	5			
Y37635	10	28			
Y37668	9	51			
Y37669	9	44			
Y37675	9	20			

